

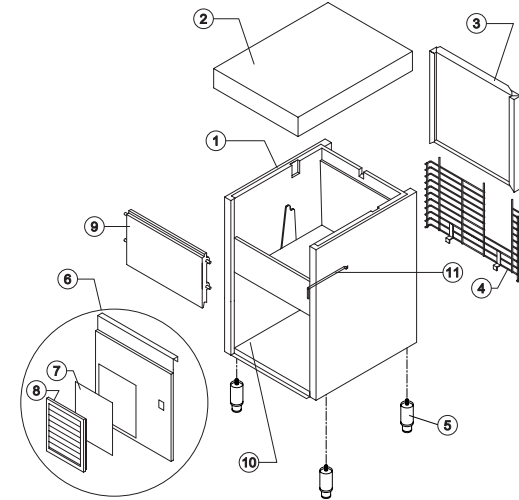


IF 75

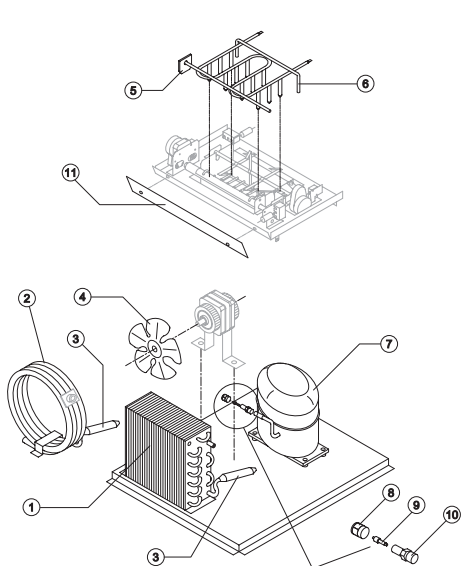
LIST OF THE EXPLODED VIEWS



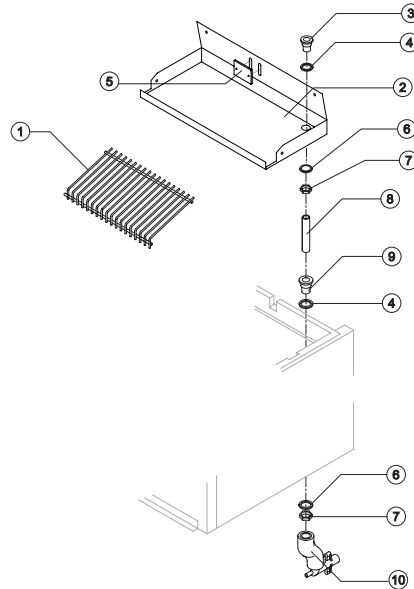
SHELL ASSY



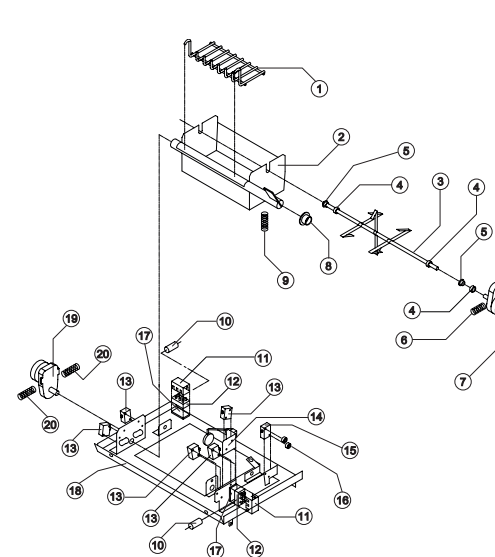
COOLING SYSTEM



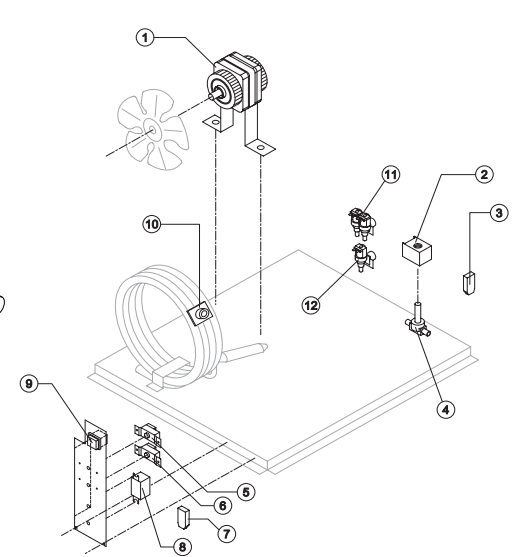
HYDRAULIC CIRCUIT



EVAPORATOR SUPPORT



ELECTRIC PARTS

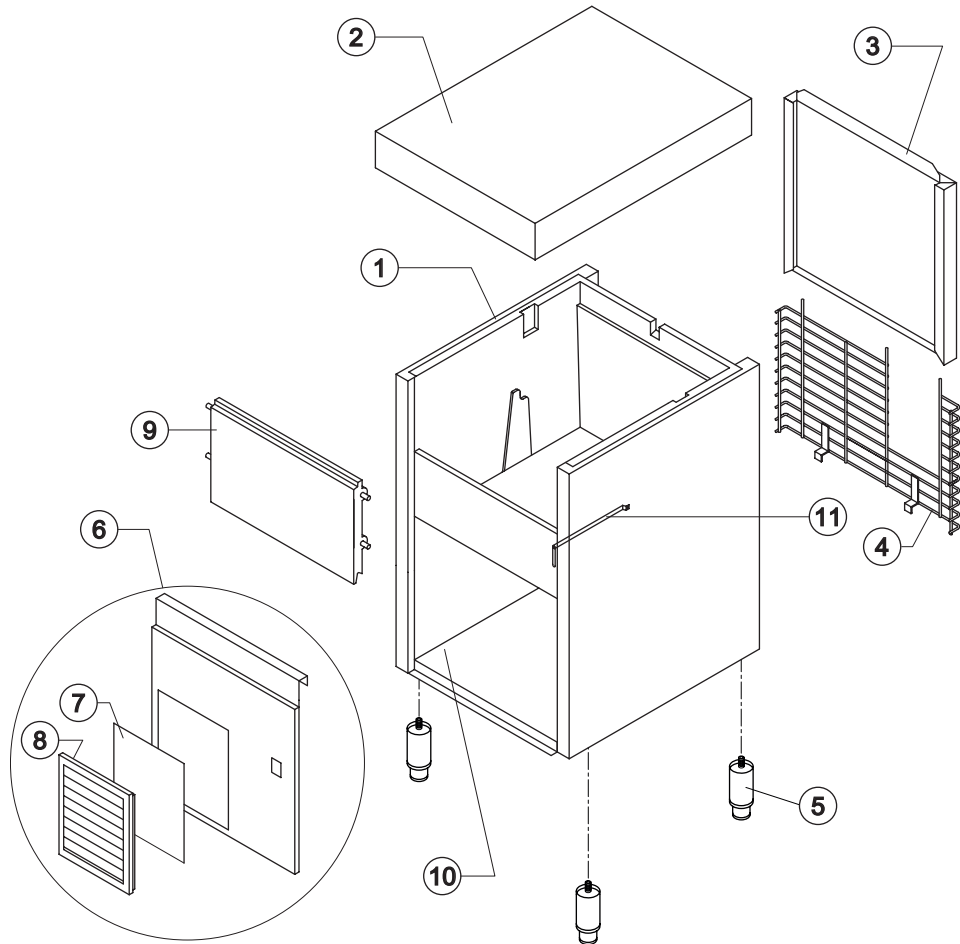


Rev. 1 - 12/6/2002



IF 75

SHELL ASSY



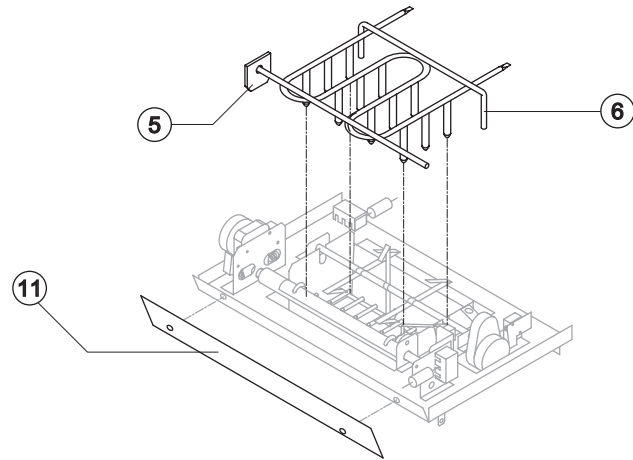
Ref.	Spare Description	Code
1	Foamed Cabinet Assy	C11062/E
2	Top Assembly	C22331
3	Back Panel Assembly	C26578
4	Rear Grid	D12015
5	Stainless Steel Foot Adjustable	Current Version 20613
5	ABS Foot	Till s/n. 142209 10040
6	Front Grid Panel	Current Version C22509
6	Front Panel	Till s/n. 31252 22049
7	Filtering Panel	18106
8	Grid with Frame	C10205
9	Door Assy	C10275
10	Base Plate	Current Version 21280
10	Base Plate	Till s/n. 142209 C21036
11	Bulbe Thermostat Tube	Current Version 20520
11	Bulbe Thermostat Tube	Till s/n. 94605 20008

Rev. 1 - 12/6/2002



IF 75

COOLING SYSTEM



Common Parts

Ref.	Spare Description	Code
3	Solid Core Drier	Current Version 14089
3	Solid Core Drier	Till s/n. 107025 14009
5	Upright	22253
6	Evaporator	D14258
7	Compressor	See Table -
8	Vacuum-Charge Valve Plug	14006
9	Vacuum-Charge Valve Device	14005
10	Vacuum-Charge Valve Body	14007
11	Protection Plate	22330

Parts for Air-Cooled Version Only

Ref.	Spare Description	Code
1	Air Condenser	20175
4	Suction Impeller	See Table -

Parts for Water-Cooled Version Only

Ref.	Spare Description	Code
2	Water Condenser	14014
4	Suction Impeller	10213

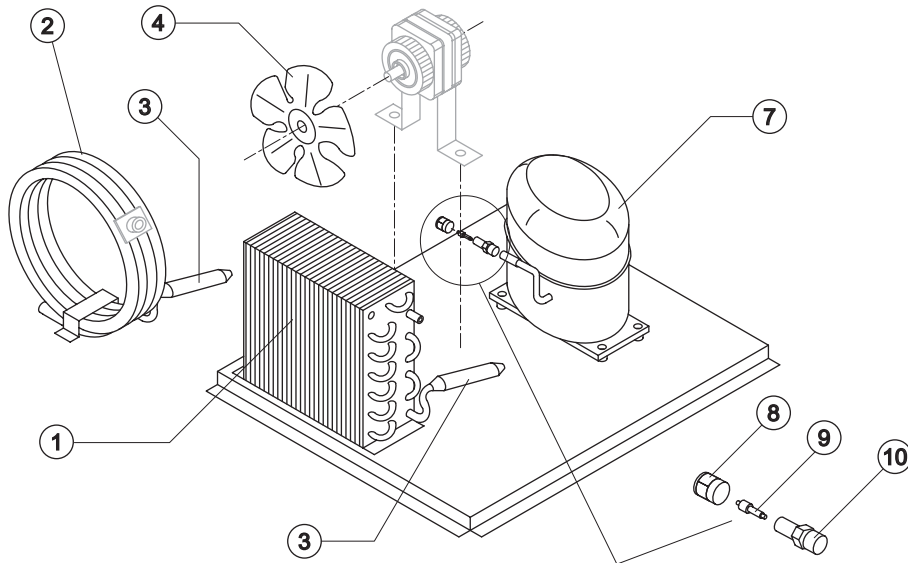
Ref. 4 Suction Impeller

Tension	Code
220/240V 50 Hz	20031
220/230V 60 Hz	20096

Ref. 7 - Compressor

Tension	Refr. R404A	Refr. R22
220/240V 50 Hz	23437	23211
220/230V 60 Hz	23495	-

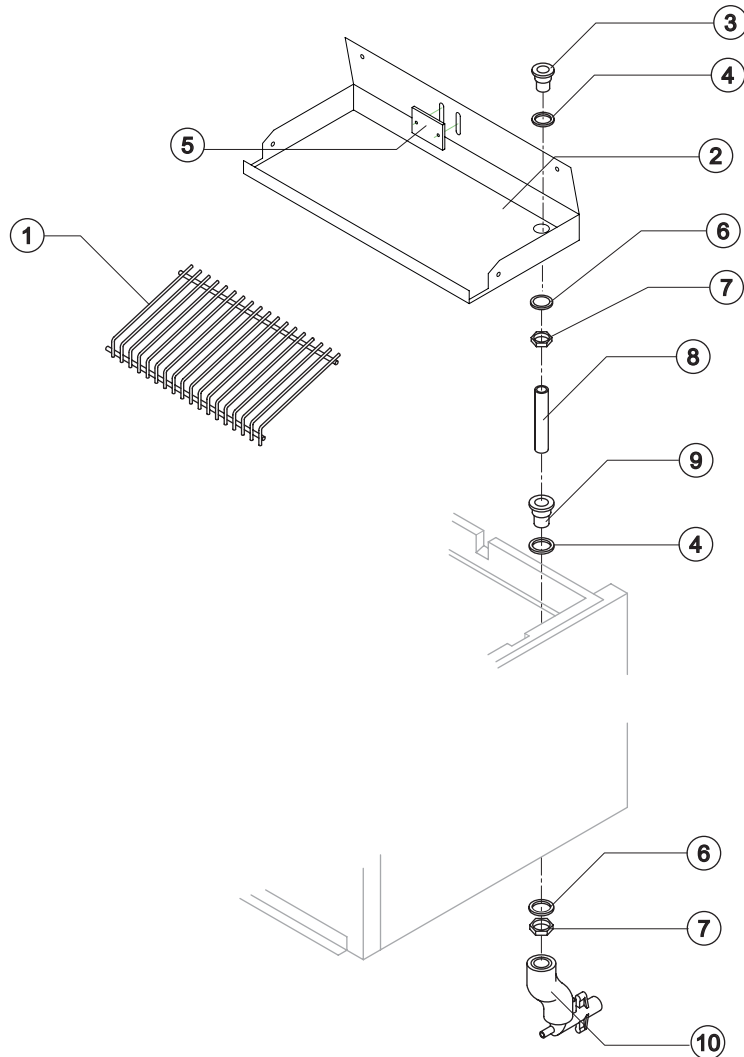
Rev. 1 - 12/6/2002





IF 75

HYDRAULIC CIRCUIT



Common Parts

Ref.	Spare Description	Code
1	Ice Cubes Slide	D12017
2	Water Basin	22465
3	Overflow Pipe Nipple	10241
4	Silicone Gasket	13006
5	Slide Keep Plate	10009
6	Semirigid Polyethylene Gasket	13007
7	Bin Discharge Nut	10096
8	Overflow Pipe	Current version 13108
8	Overflow Pipe	Till s/n. 63341 13057
9	Plastic Nipple Water Outlet	10007

Parts for Air-Cooled V version Only

Ref.	Spare Description	Code
10	Discharges Manifold	C10006

Parts for Water-Cooled Version Only

Ref.	Spare Description	Code
10	Discharges Manifold	C26452

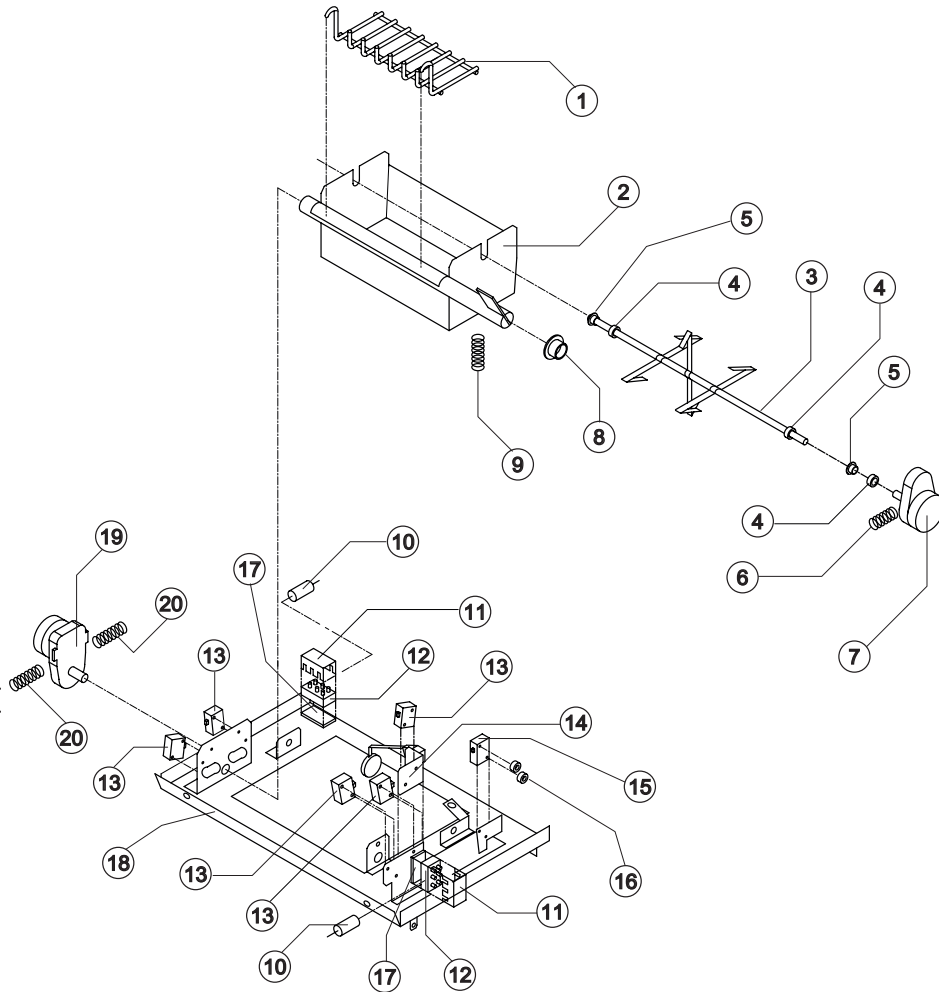
Rev. 1 - 12/6/2002



IF 75

EVAPORATOR SUPPORT

Rev. 1 - 12/6/2002



Ref.	Spare Description	Code	
1	Internal Tray Slide	D12058	
2	Water Basin with Pin	C22462	
3	Shaft with Paddles	20389	
4	Shaft Stop Ring	20227	
5	Self-Lubricating Bush 06/06	20230	
6	Spring (Support Gearmotor)	20228	
7	Gearmotor (for Paddles)	See Table	
8	Self-Lubricating Bush 12/07	20231	
9	Spring (Basin Lightening)	20282	
10	Condenser 0,12 µF - 1000 V	220/240V 50 Hz	23318
10	Condenser 0,15 µF - 1000 V	220/230V 60 Hz	23329
11	Terminal Cover	23250	
12	Terminal	23249	
13	Microswitch (usually closed)	23196	
14	Working Kit for the Floating Micro	C26562	
15	Microswitch (usually open)	23372	
16	Switch Shimming Ring	10250	
17	Terminal Board Spacer	10143	
18	Evaporator Support Plate	22463	
19	Gearmotor (for Turnover Basin)	See Table	
20	Spring (Support Gearmotor)	20232	

Ref. 7 - Gearmotor (for Paddles)

Tension	Code
220/240V 50 Hz	23341
220/230V 60 Hz	23582

Ref. 19 - Gearmotor (for Turnover Basin)

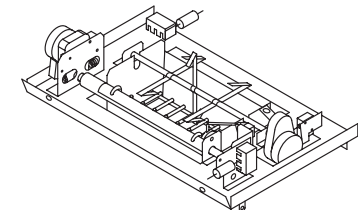
Tension	Code
220/240V 50 Hz	23195
220/230V 60 Hz	23581

Evaporator Support Plate

Tension	Code
220/240V 50 Hz	C22463
220/230V 60 Hz	C22695



The Complete Evaporator Support Plate has to be requested, making reference to the Table.





IF 75

ELECTRIC PARTS

Common Parts

Ref.	Spare Description	Code
2	Hot Gas Coil	23091
3	Anti Radio Interference Filter 220/240V 50 Hz	23458
4	Hot Gas Valve Body	20410
5	Condenser Pressure Switch	23175
6	Bin Thermostat	23005
7	Anti Radio Interference Filter 220/240V 50 Hz	23459
8	Relay	23190
9	Green Light Switch	23327

Parts for Air-Cooled Version Only

Ref.	Spare Description	Code
1	Fan Motor	23067
12	Inlet Watervalue 1 Way	23220

Parts for Water-Cooled Version Only

Ref.	Spare Description	Code
1	Fan Motor	23029
10	Safety Thermostat	C23114
11	Inlet Watervalue 2 Ways	C23507

Rev. 1 - 12/6/2002

