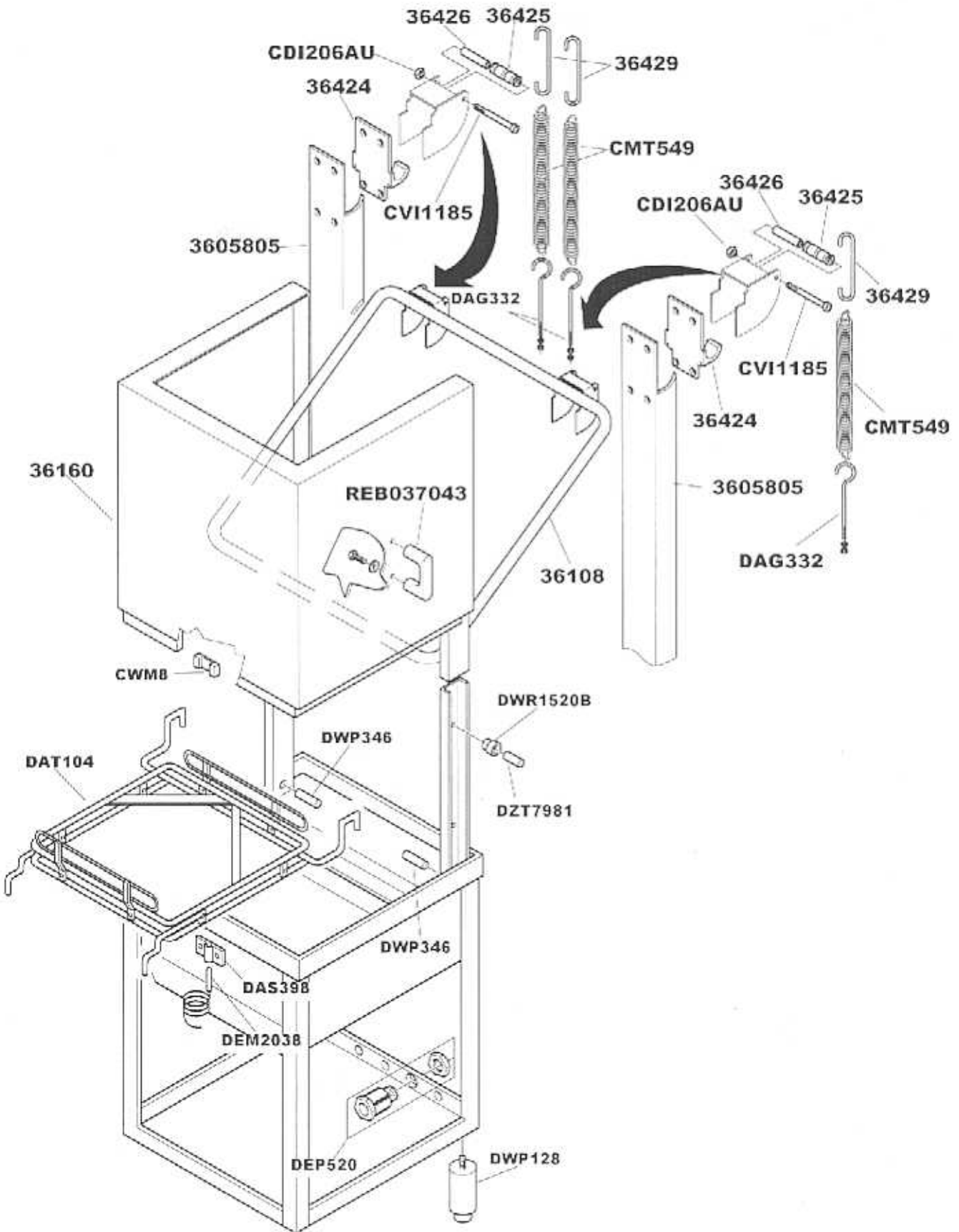
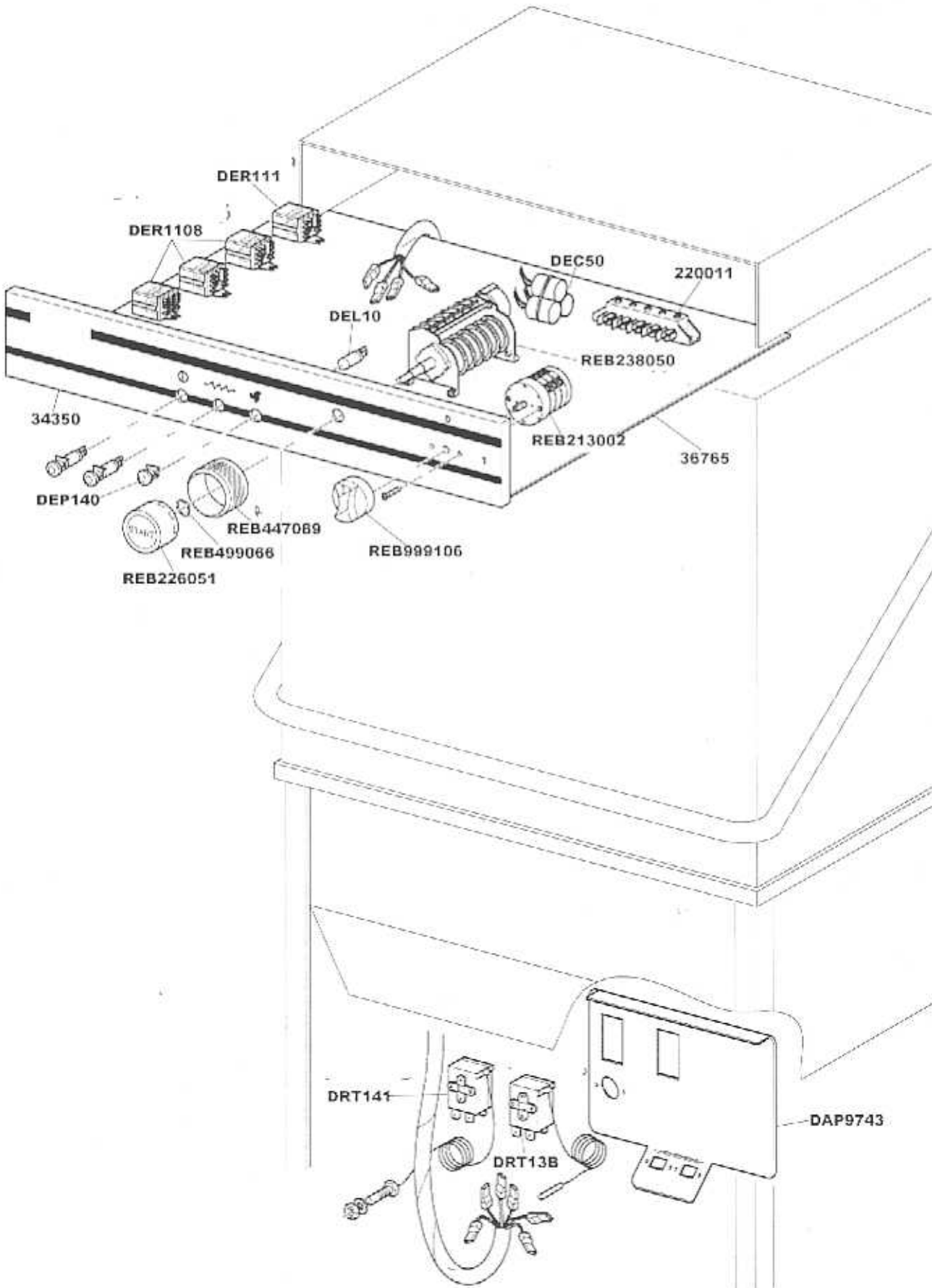


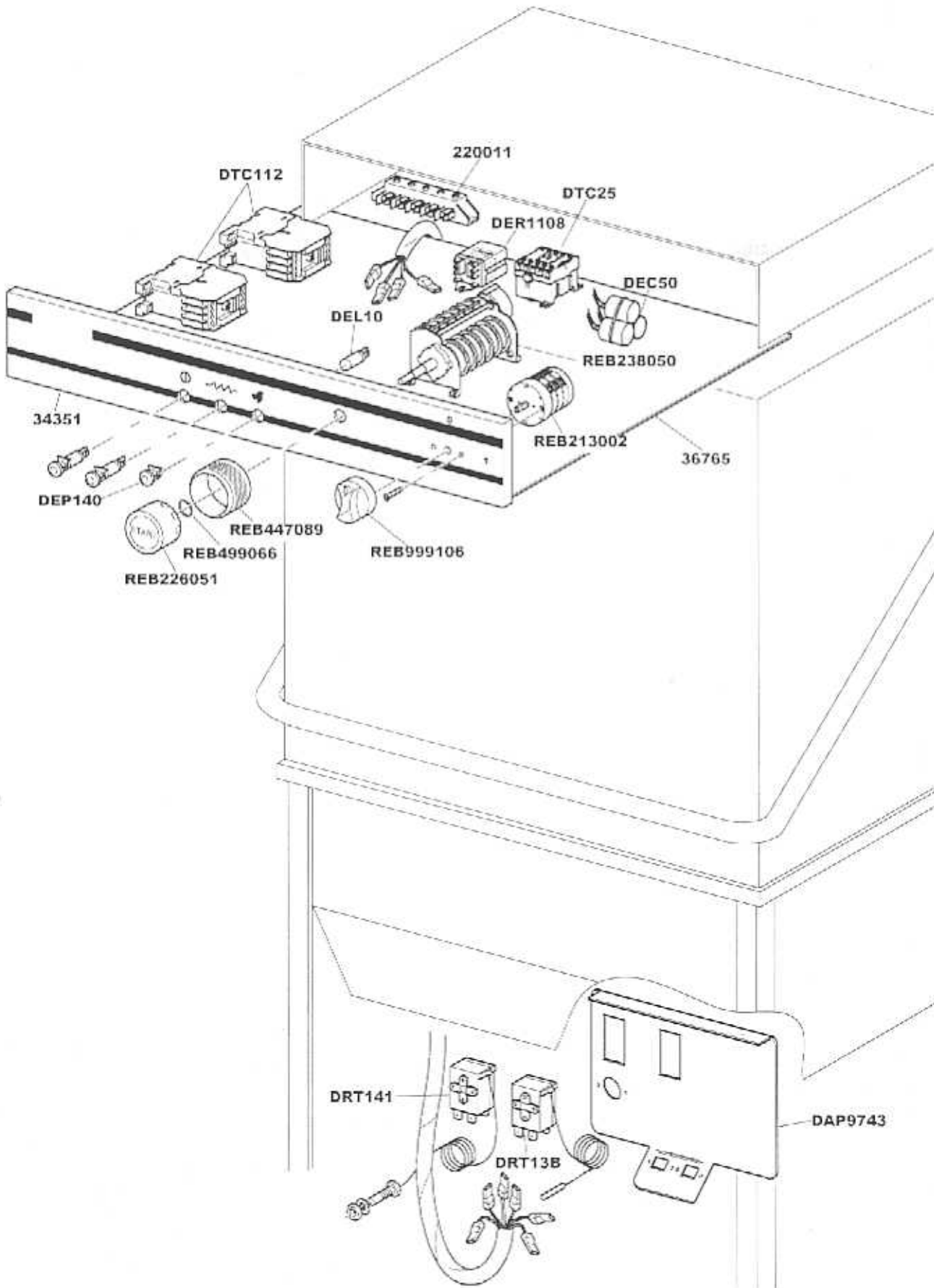
LK1000/LK1010



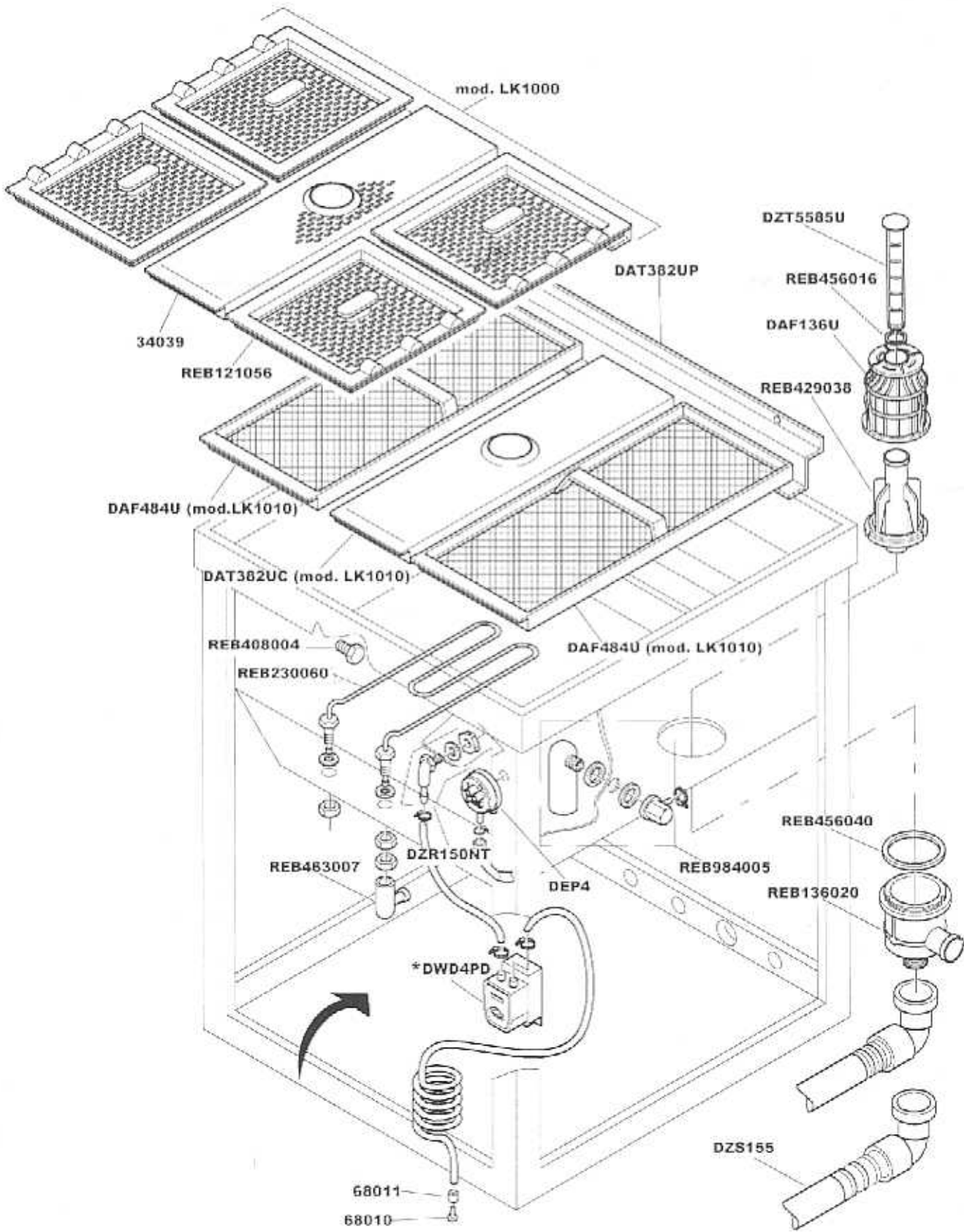
LK1000/LK1010



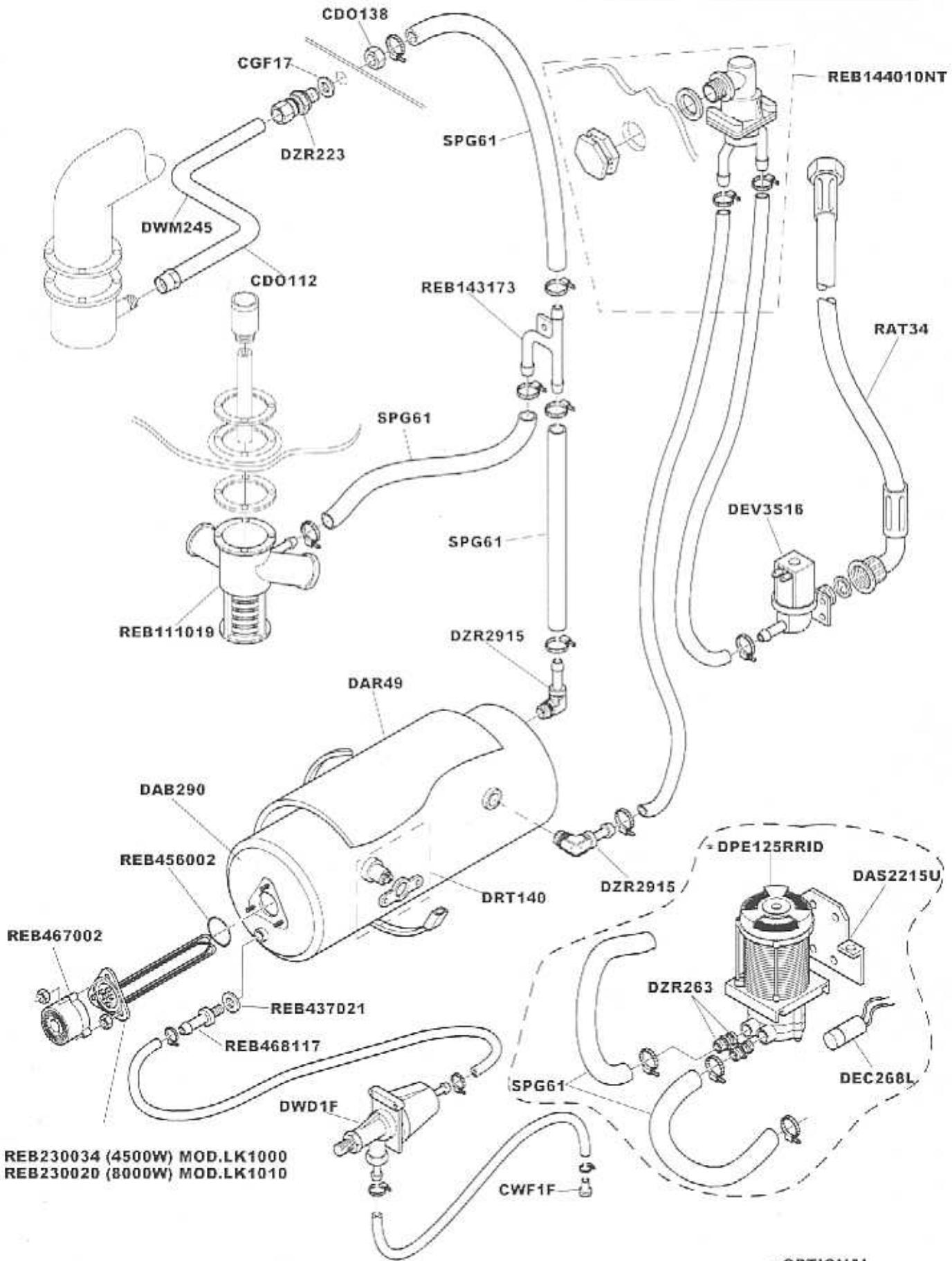
LK1000/LK1010



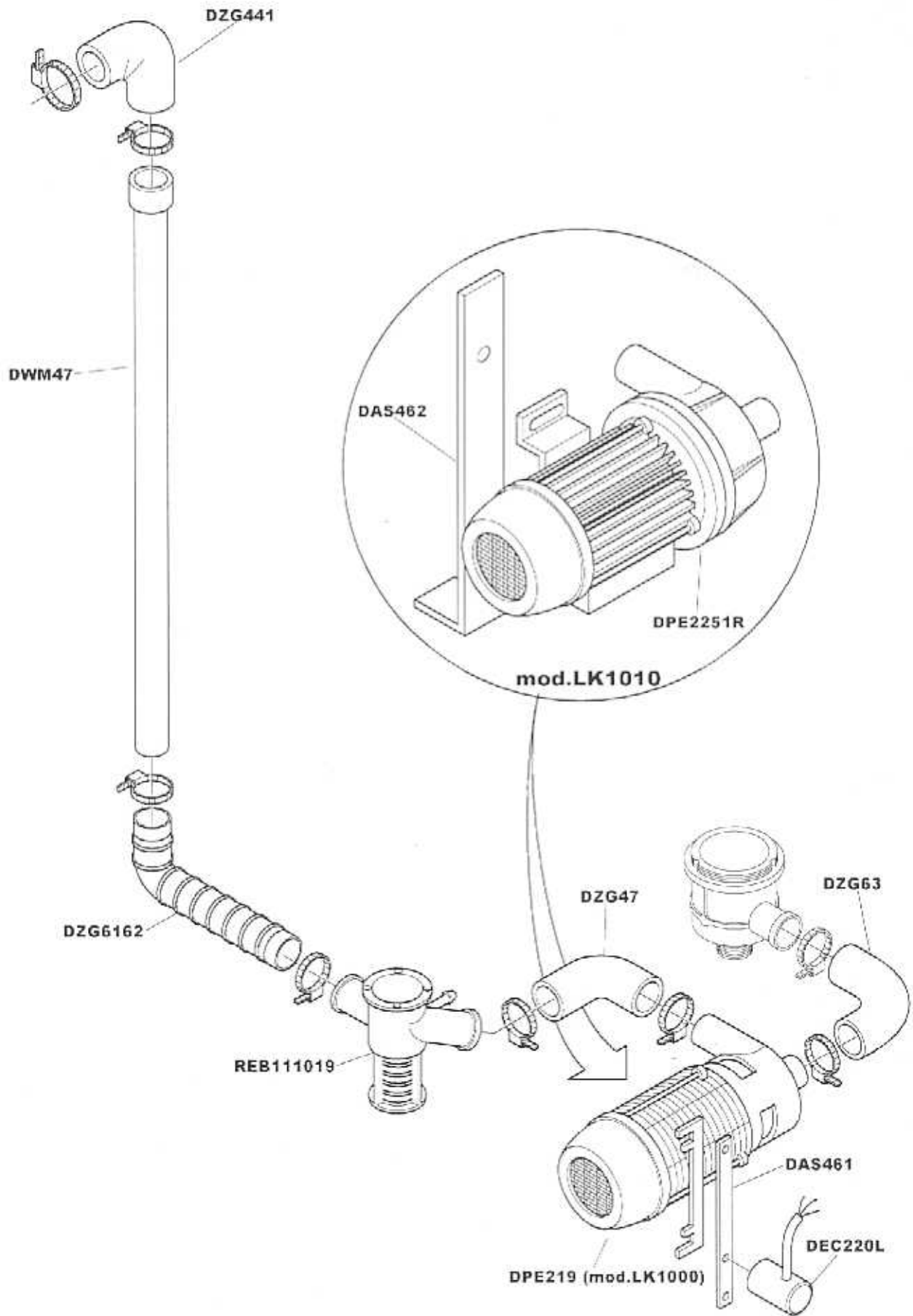
LK1000/LK1010



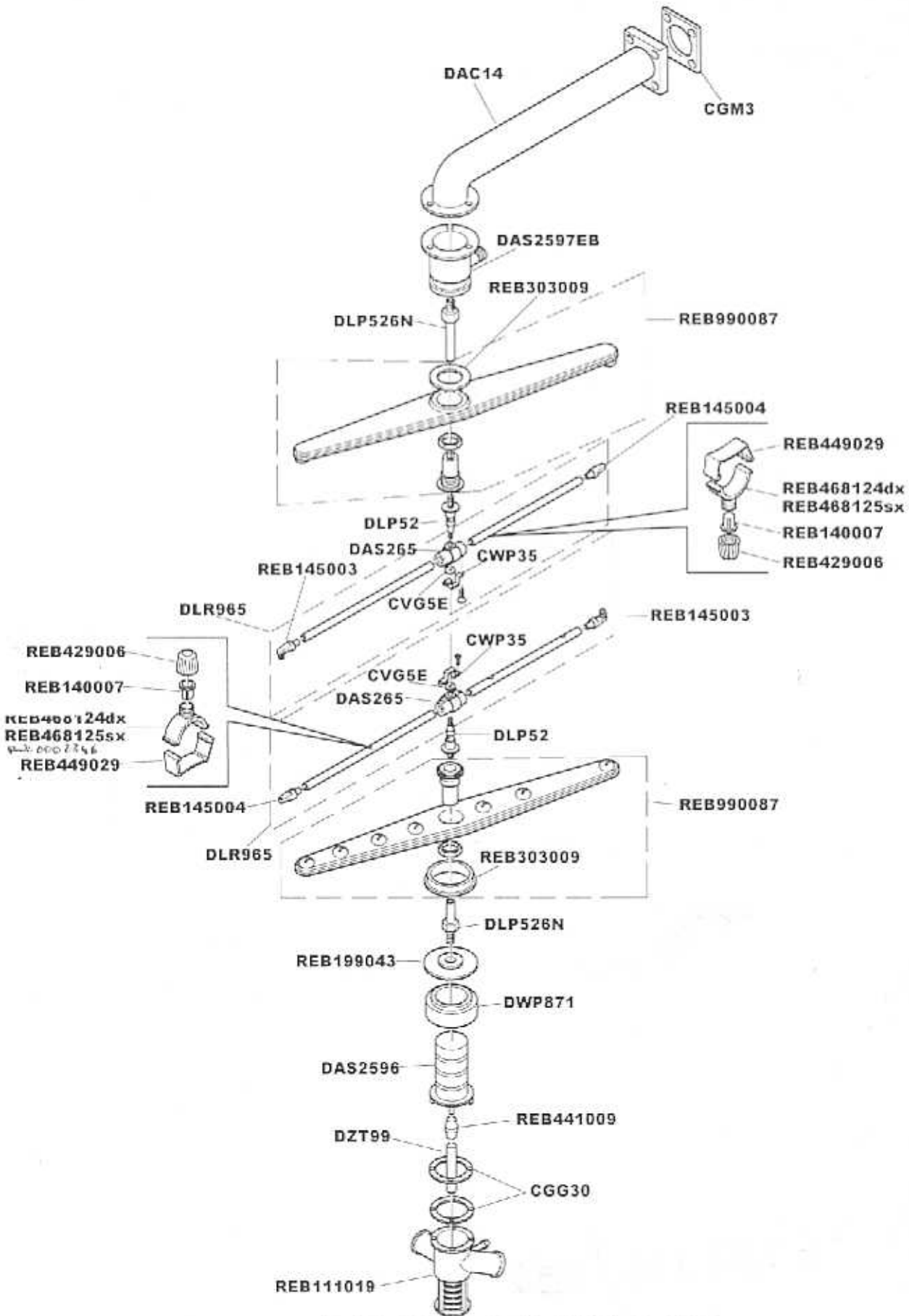
LK1000/LK1010



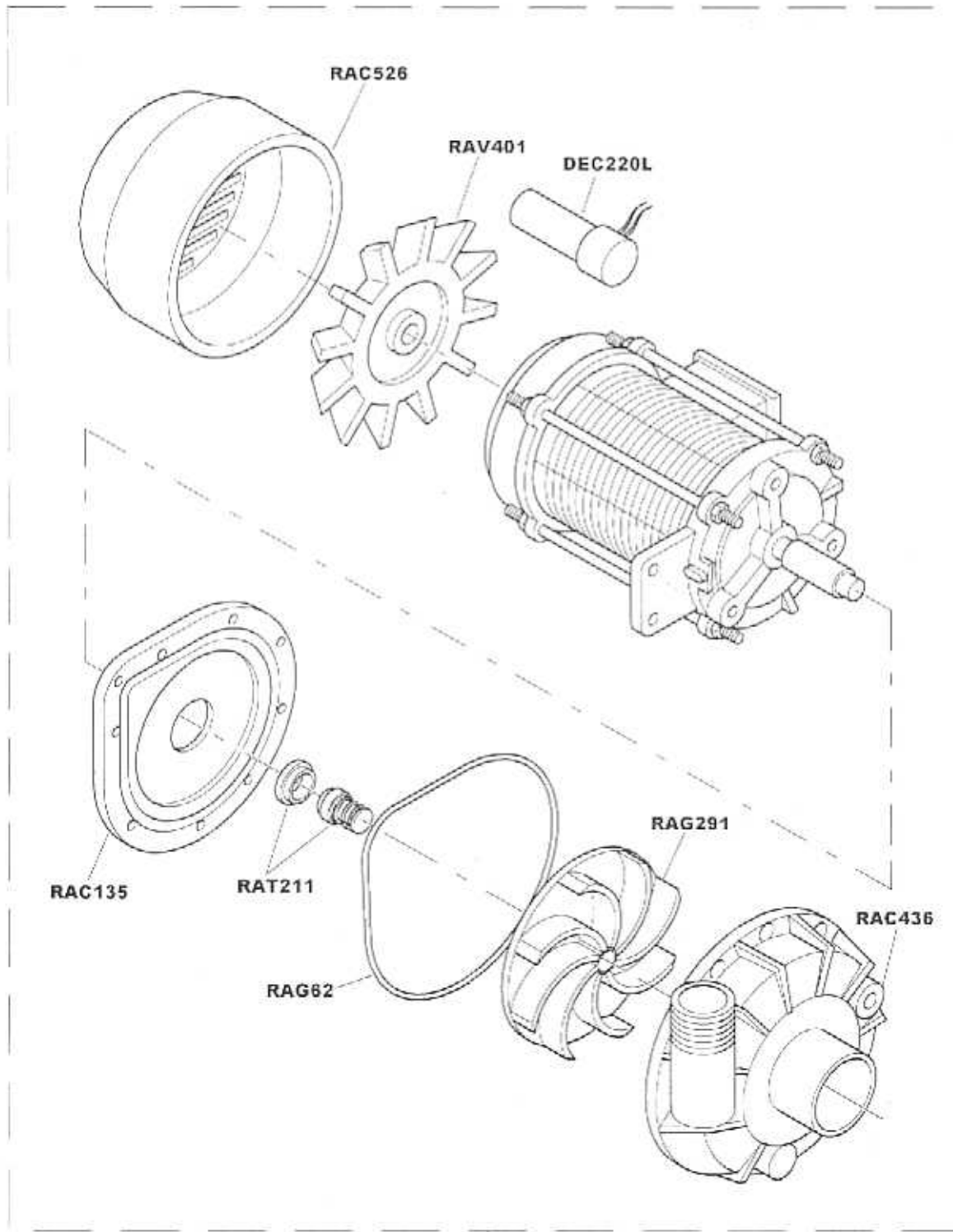
LK1000/LK1010



LK1000/LK1010



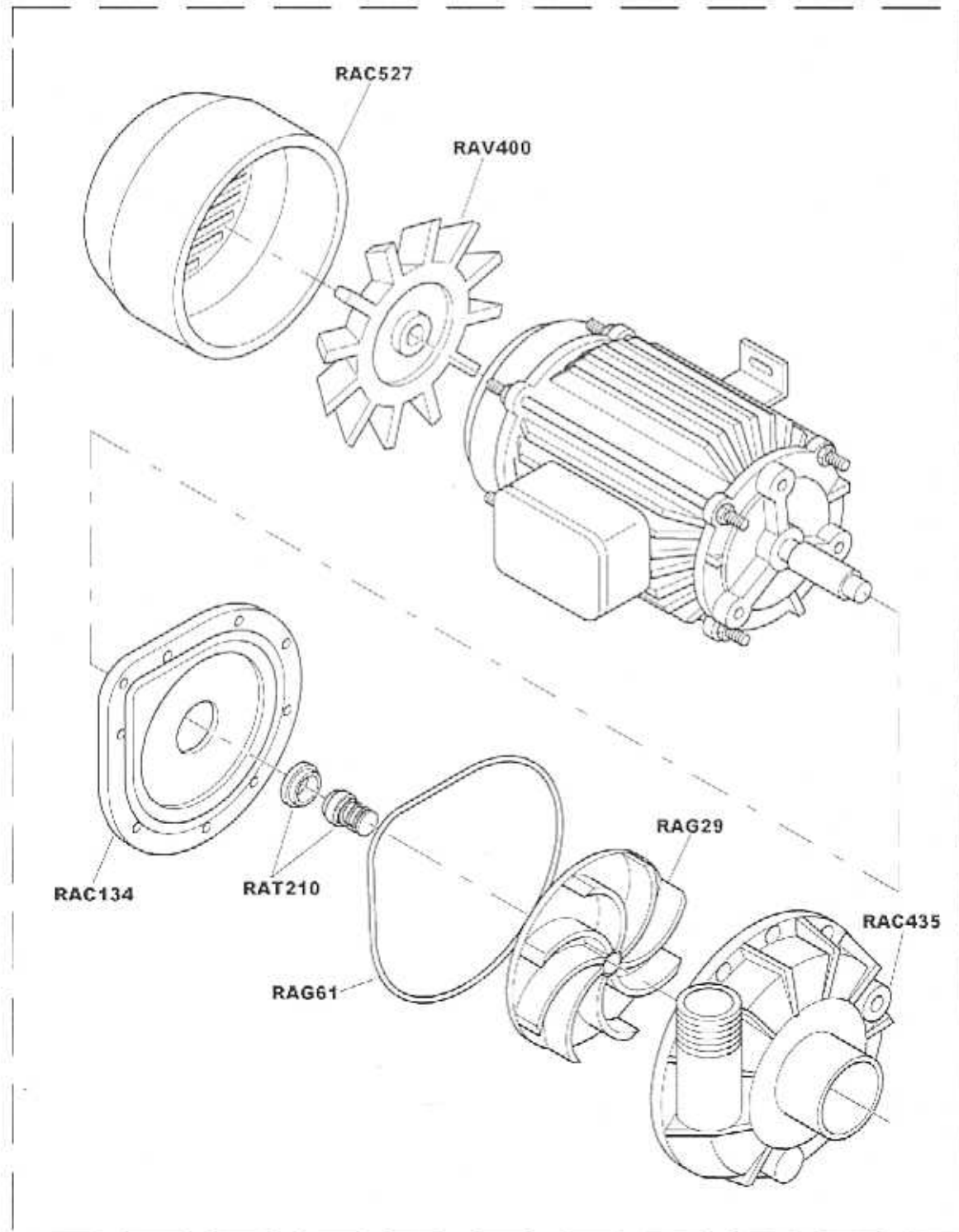
LK1000/LK1010



(ZF40 V) **DPE219 (V220-240 50Hz)**

LK 1000

LK1000/LK1010



DPE2251R

LK1010

LK1000/LK1010