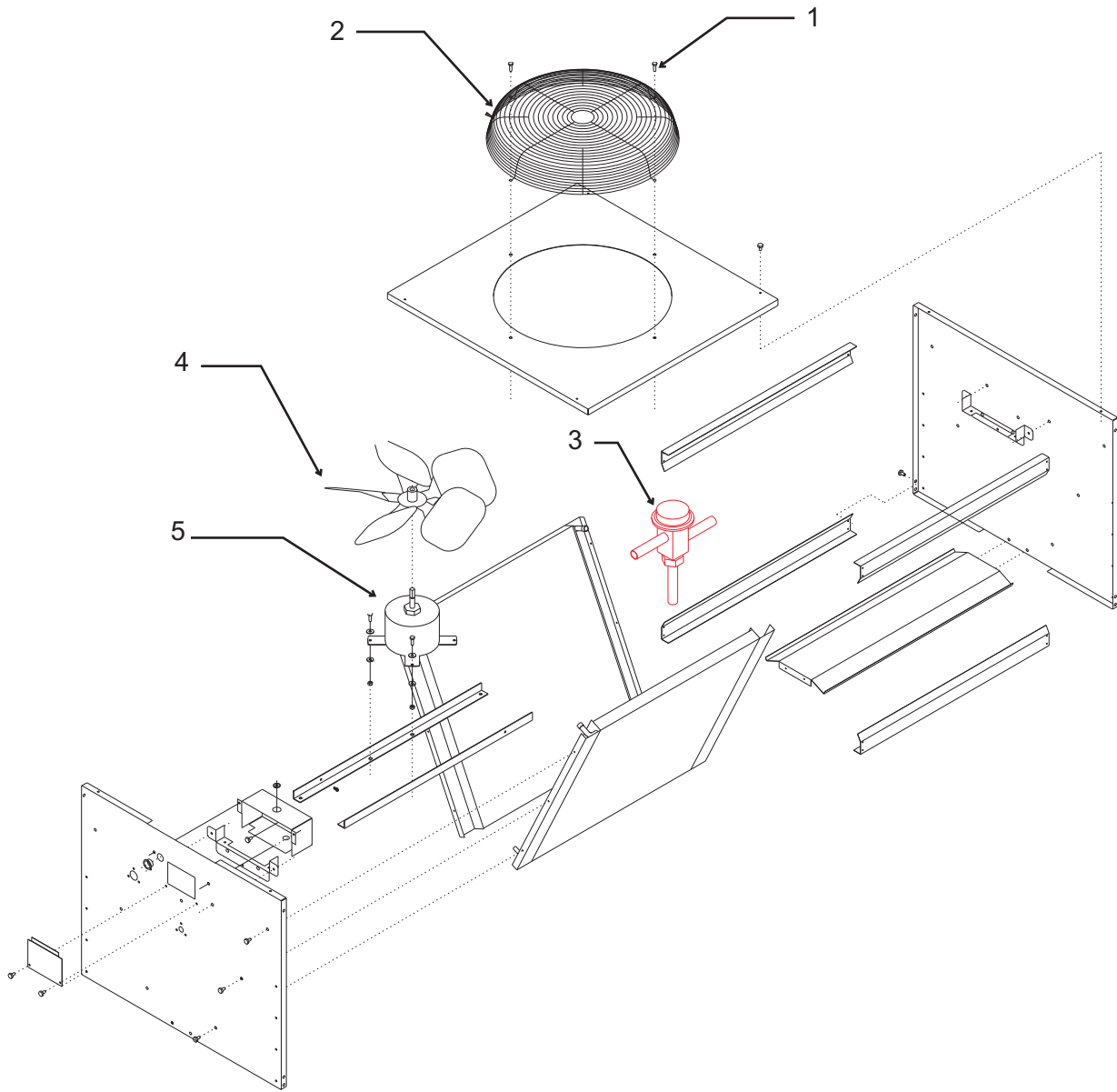


Bins, Condensers, and Accessories Service Parts

ERC V Coil Condenser ERC111, 211, 311, 411, ERC680, ERC1086



Item Number	Part Number	Description
1	03-1645-03	Screw
2	02-3575-01	Fan guard,
3	16-1025-01	Headmaster, ERC411
	16-1044-01	Headmaster, all others
4	18-8816-01	Fan blade
5	12-2651-01	Fan motor, ERC311, 411, 680, 1086
	12-2651-02	Fan motor, ERC111, 211

Not Shown:

- A37169-001 Leg - fits all
- A37170-001 Leg brace, ERC111, 211,
311, 411, 680, 1086
- 03-1645-01 Screw for legs
ERC111, 211, 311, 411
- 16-0850-01 Quick connect, discharge
- 16-0850-03 Quick connect, liquid
- ER680, 1086, ER2C6810, 1316:
- 16-1057-04 Quick connect, discharge