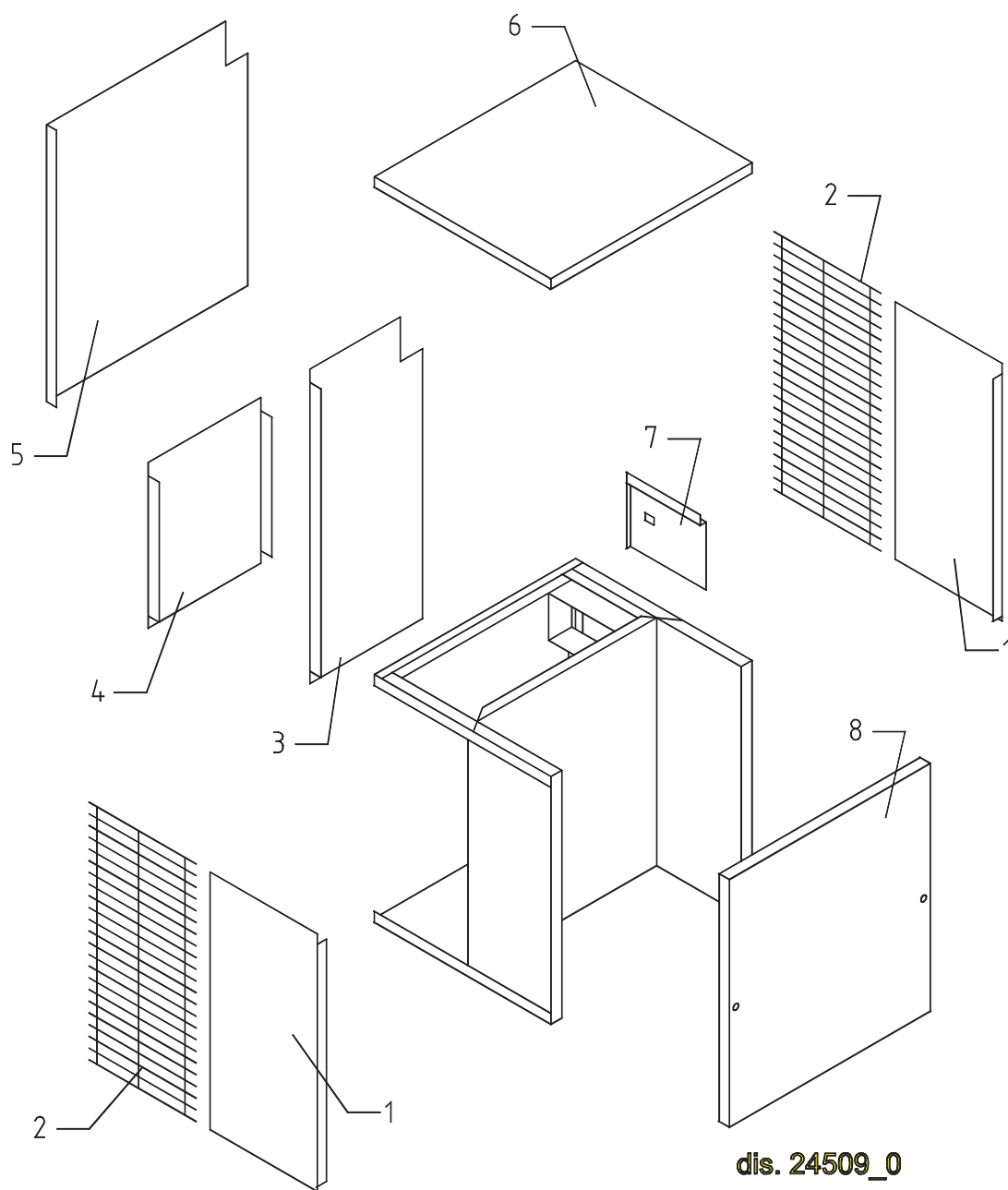


## Shell assembly Mod. VM500 / 900



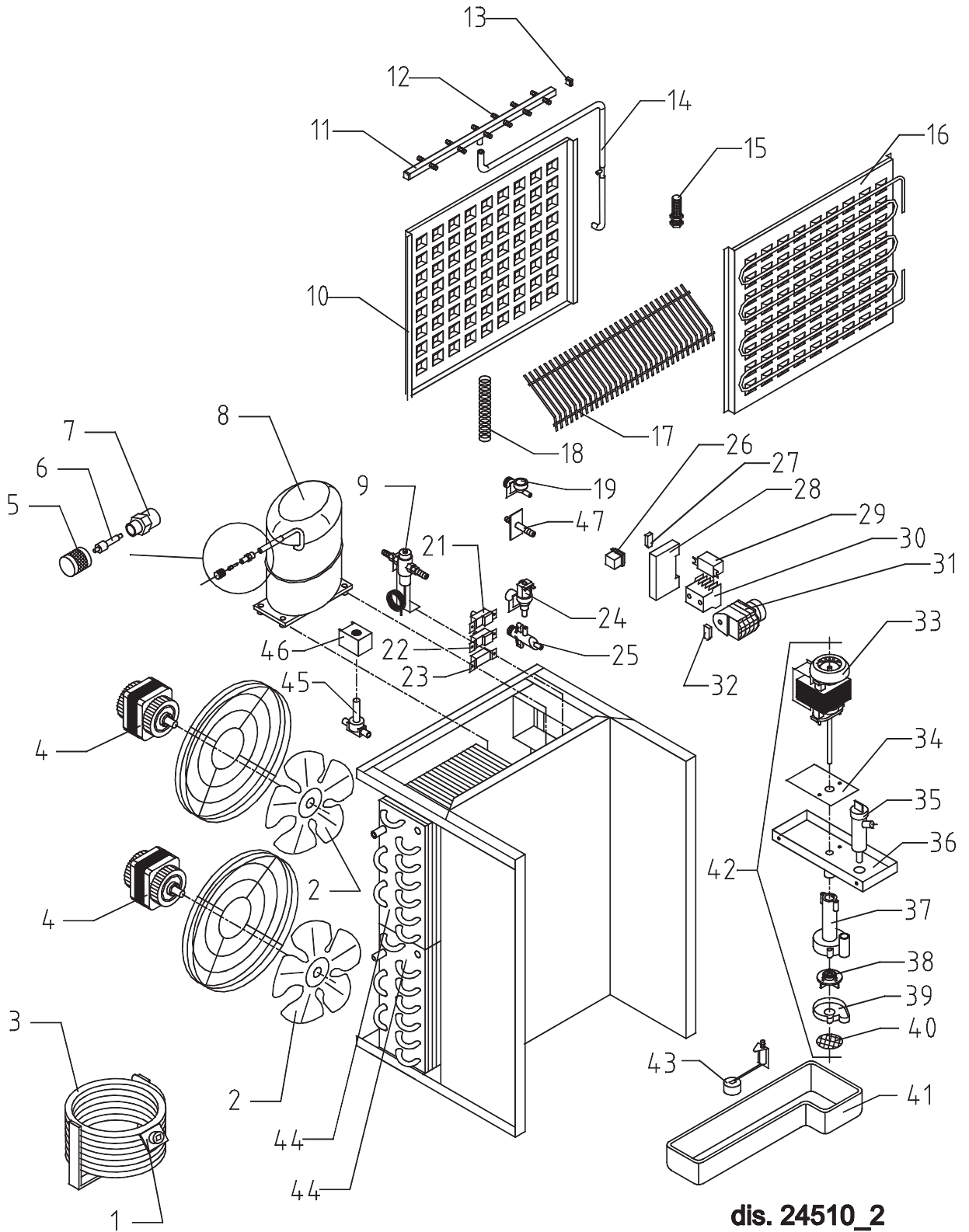
dis. 24509\_0

### Shell assembly Mod. VM500 / 900 (TAB. 46)

Ref.	Description	Refrigerant	A/W	Tension	Code
1	Left+right panel				22606
2	Lateral grid (right & left)				D12055
3	Back panel		A		21217
4	Back panel over condenser (only for VM500)		A		21221
5	Back panel		W		21223
6	Top				22607
7	Electrical box cover				21231
8	Front panel assembly				C22604

**Note:** 7. Code 21222 until number 81707. Code 21231 from number 81708.

# Cooling system assembly Mod. VM 500 / 900



dis. 24510\_2

**Cooling system assembly Mod. VM900 (TAB. 48)**

<b>Ref.</b>	<b>Description</b>	<b>Refrigerant</b>	<b>A/W</b>	<b>Tension</b>	<b>Code</b>
2	Suction fan		A		20407
3	Water condenser		W		14285
4	Fan motor		A		23121
5	Vacuum-charge valve plug				14006
6	Vacuum-charge valve device				14005
7	Vacuum- charge valve body				14007
8	Compressor			1	23489
8	Compressor			2	23527
8	Compressor			5	23453
9	Pressure valve		W		20149
10	Evaporator (back)				D10227
11	Sprayers bar assembly				C20466
12	Sprayer				D20463
13	Sprayers bar plug				10012
14	Filter-sprayers pipe connection				13103
15	Closeness switch				23540
16	Evaporator (front)				D10228
17	Ice cubes slide				D12057
18	Spring				20464
19	1 way inlet water nipple				10239
21	Pressure switch (maximum pressure)				23342
22	Condenser pressure switch		A		23175
23	Evaporator thermostat				23597
24	Outlet water valve				23537
25	Discharges manifold				C10052
26	Green light switch				23327
27	Anti radio interference filter		A	1-5	23458
28	Electronic timer				23560
29	Relay				23190
30	Contactora				23147
31	Timer			1-5	23539
31	Timer			2	23559
32	Anti radio interference filter		A	1-5	23459
33	Pump motor			1-5	23073
33	Pump motor			2	23187
34	Heat dissipator				22430
35	Pump filter				10139
36	Pump motor holder				10161
37	Pump body				10065
38	Pump impeller			1-5	10066
38	Pump impeller			2	10138
39	Diffuser				10067
40	Pump filter				20518
41	Water basin				10236
42	Pump assembly			1-5	C23545
42	Pump assembly			2	C23547
43	Floating valve				10188
44	Air condenser		A		20452
45	Hot gas valve body				20409
46	Hot gas coil				23091
47	Rubber holder with plate		W	1-2-5	C20462

**Note:** 25. Code C10053 (W) until number 127939.  
 26. Code 23327 from number 81708.