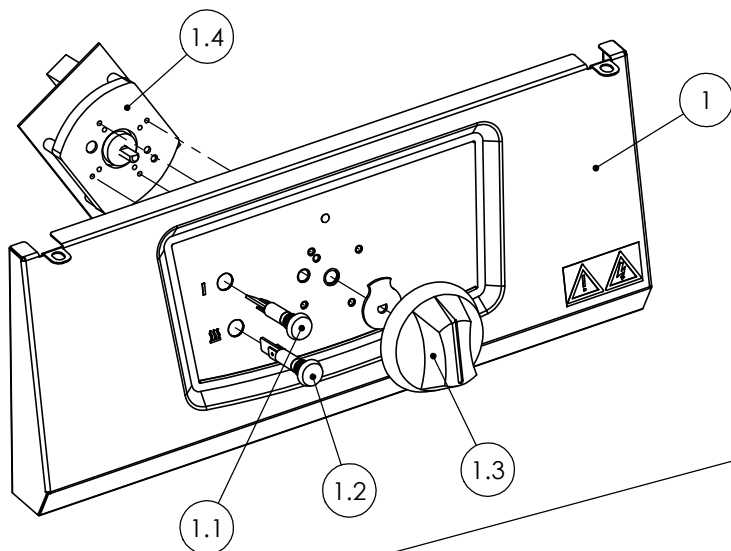


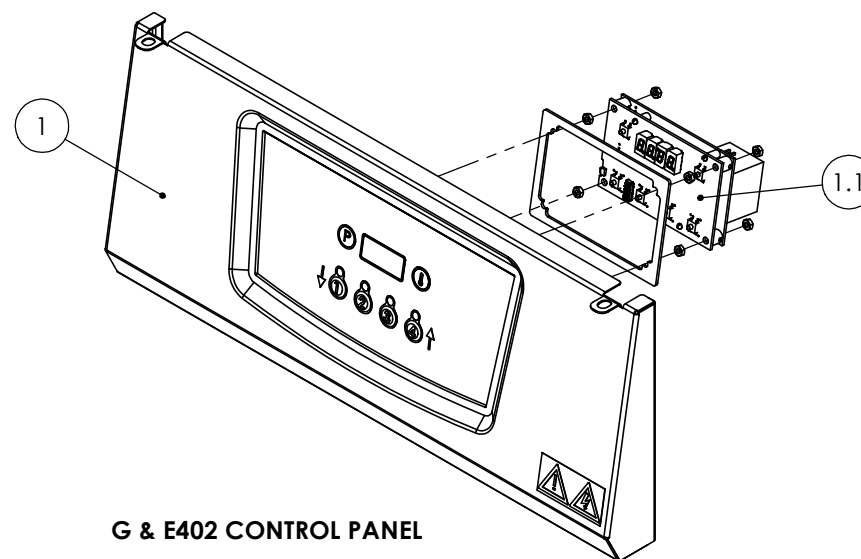
# 400 Series Fryers

## G & E401 CONTROL PANEL



ITEM	DESCRIPTION	SPARES No.
1	CONTROL PANEL ASSEMBLY	731350000
1.1	RED NEON	735010370
1.2	AMBER NEON	735010380
1.3	CONTROL KNOB C/W STOP	731350001
1.4	CONTROLLER	731350002

ITEM	DESCRIPTION	SPARES No.
1	CONTROL PANEL ASSEMBLY	731360000
1.1	CONTROLLER C/W SPACER	731360001



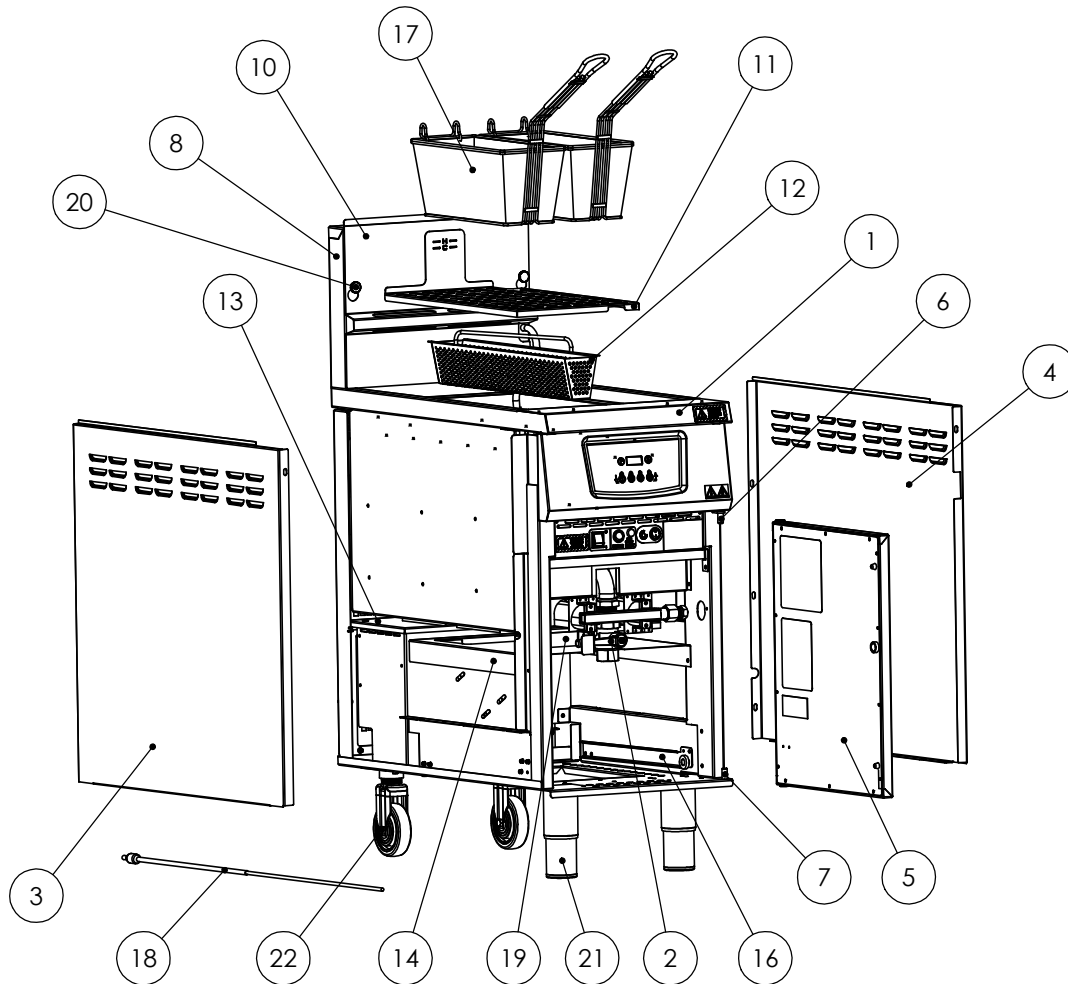
G & E402 CONTROL PANEL



Issue	Alteration	Date	Product	Document Reference
A	Initial Issue	09/08/11	E/G 401/402	AD48017

# 400 Series Fryers

MODEL SHOWN G402F

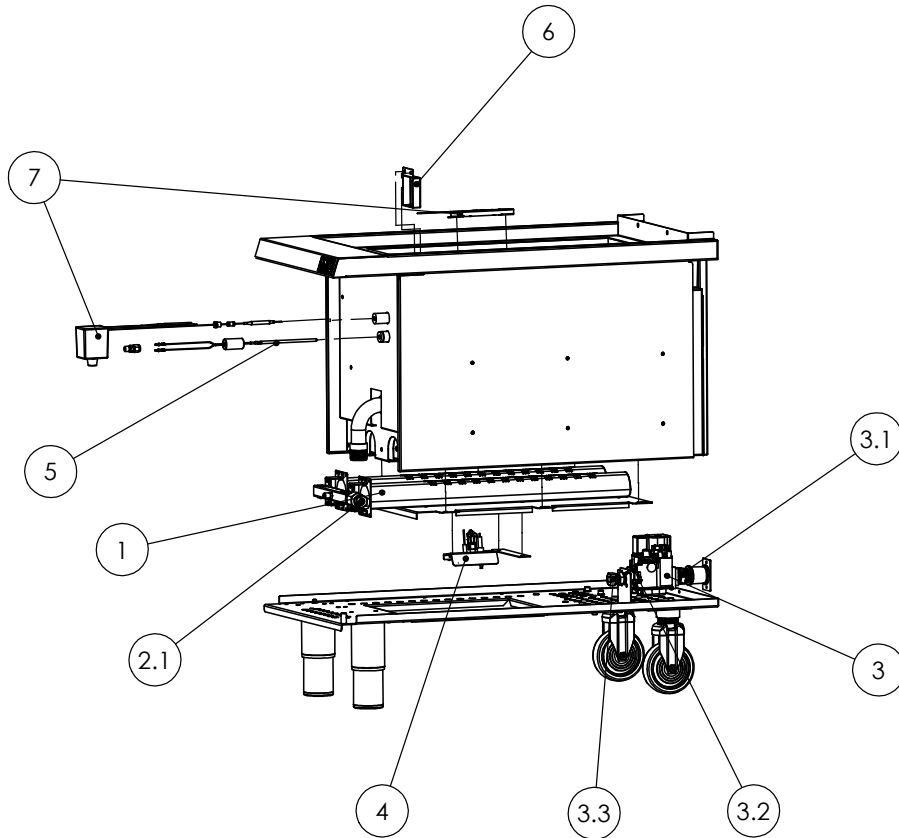


ITEM	DESCRIPTION	SPARES No
1	HOB AND PAN ASSEMBLY C/W COMBUSTION CHAMBER	536300005
2	DRAIN VALVE C/W COMPRESSION FITTING	536300006
3	LH OUTER SIDE	536300007
4	RH OUTER SIDE	536300008
5	DOOR ASSEMBLY	536300009
6	TOP DOOR HINGE	536430108
7	BOTTOM DOOR HINGE	536430109
8	FLUE ASSEMBLY	536300010
9	FLUE ASSEMBLY ( NON FILTRATION)	536300011
10	BASKET HANGING RAIL	536300012
11	FISH PLATE	536300013
12	CRUMB CATCHER	536300014
13	PUMP COVER	536300015
14	BUCKET COVER	536300016
15	LH BUCKET RUNNER (NOT SHOWN)	731350009
16	RH BUCKET RUNNER	731350010
17	CHIP BASKET	536430126
18	DRAIN CLEANING TOOL	536300017
19	DRAIN HANDLE BRACKET KIT	536300018
20	HANGING RAIL SCREW SET	536430082
21	ADJUSTABLE FEET	731350013
22	CASTORS	731350014



Issue	Alteration	Date	Product	Document Reference
A	Initial Issue	09/08/11	G401/402	AD48148

# 400 Series Fryers



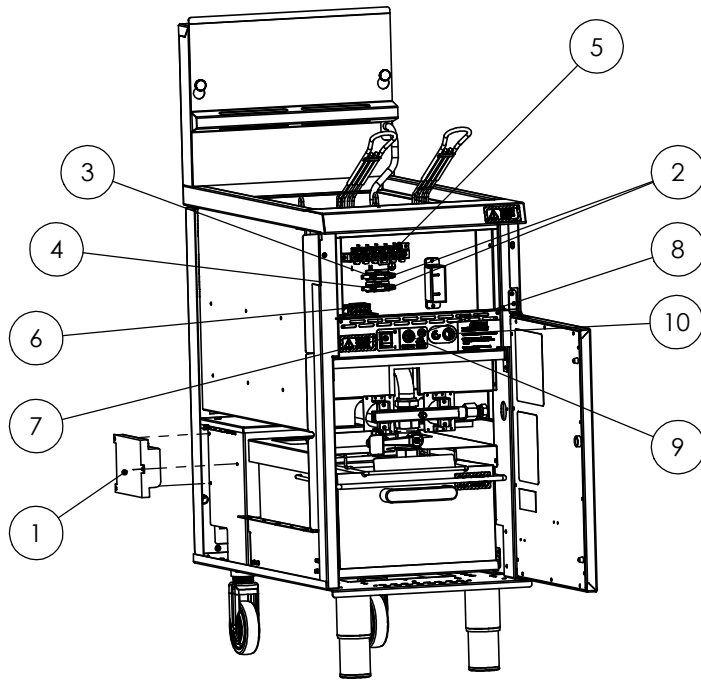
ITEM	DESCRIPTION	SPARES No	QTY
1	BURNER ASSEMBLY	536300025	
1.1	INJECTOR (NAT GAS) ( NOT SHOWN)	536300026	2
1.2	INJECTOR ( PROPANE) (NOT SHOWN)	536300027	2
2	FLEXI PIPE C/W FITTINGS(NOT SHOWN)	536300028	
2.1	COUPLING 1/2" BSPT FEMALE	536300029	
3	CONTROL VALVE SUB ASSEMBLY	536300030	
3.1	3/4" TO 1/2" REDUCER	536300031	
3.2	COUPLING M10 X 4mm	536300032	
3.3	COUPLING 1/2" BSPT TO 12mm	531610050	
4	PILOT ASSY C/W LEADS AND PIPE	536300048	
5	OPERATING STAT PROBE ASSEMBLY	536300034	
6	OPERATING STAT PROBE COVER	536300035	
7	SAFETY STAT ASSEMBLY	536300036	



Issue	Alteration	Date	Product	Document Reference
B	Initial Issue	09/08/11	G401/402	AD48149

# 400 Series Fryers

MODEL SHOWN G402F

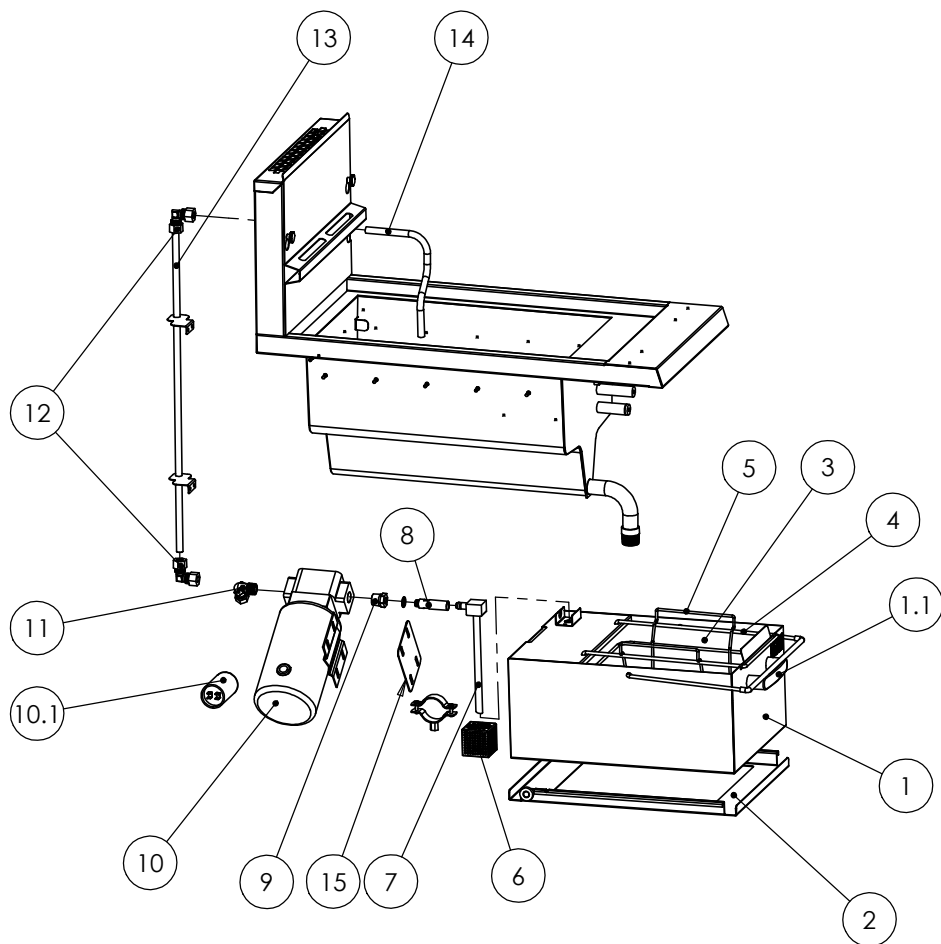


ITEM	DESCRIPTION	UNIT	SPARES No
1	IGNITION BOX		536300024
2	FUSE HOLDER		734310510
3	2 AMP ANTI SURGE FUSE		731050002
4	5 AMP ANTI SURGE FUSE	FILTER MODELS ONLY	536430009
5	MAINS TERMINAL BLOCK		731000006
6	STEP DOWN TRANSFORMER	402 ONLY	731360002
7	ROCKER SWITCH		732950006
8	AMBER NEON		735010380
9	MOMENTARY SWITCH		535770068
10	PUMP SWITCH	FILTER MODELS ONLY	536430029
11	CONTROL PANEL WIRING LOOM (NOT SHOWN)	401 ONLY	731350028
12	CONTROL PANEL WIRING LOOM (NOT SHOWN)	402 ONLY	731360003
13	MAINS CABLE (NOT SHOWN)		536300019
14	BASE LOOM WIRING HARNESS (NOT SHOWN)	FILTER MODELS ONLY	536300020
15	BASE LOOM WIRING HARNESS (NON FILTRATION) (NOT SHOWN)	NON FILTER MODELS	536300021
16	BURNER EARTH (NOT SHOWN)		536300022



Issue	Alteration	Date	Product	Document Reference
A	Initial Issue	09/08/11	G401/402	AD48150

# 400 Series Fryers



ITEM	DESCRIPTION	SPARES No
1	OIL CONTAINER ASSEMBLY	536300037
	1.1 OIL CONTAINER FRONT HANDLE	731350030
2	OIL CONTAINER CARRIER	535770028
3	FINE MESH FILTER	737101159
4	FINE MESH FILTER WIRE SUPPORT	737101143
5	BASKET FILTER	731350031
6	SUCTION PIPE FILTER	731350032
7	SUCTION PIPE C/W 'O' RING	536300038
	7.1 SUCTION PIPE 'O' RING (NOT SHOWN)	731350034
8	OIL INLET NOZZLE C/W WASHER	731350035
9	REDUCER	731350036
10	OIL PUMP	731350037
	10.1 OIL PUMP CAPACITOR	731350038
11	PUMP ELBOW	536300039
12	OIL RETURN ELBOW	536300040
13	REAR FILTRATION PIPE	536300041
14	FILTRATION PIPE	536300042
15	GASKET FILTER	731350047



Issue	Alteration	Date	Product	Document Reference
B	Initial Issue	09/08/11	G401/402	AD48151