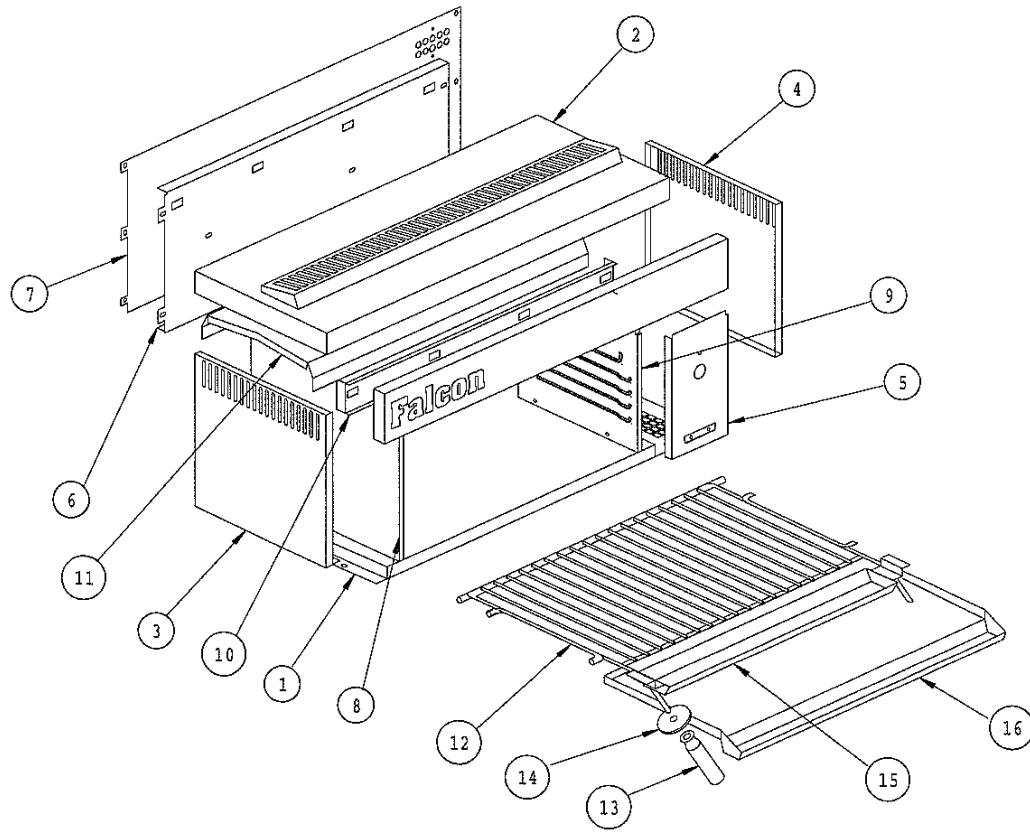
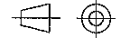


IF IN DOUBT ASK!!

DO NOT SCALE !!  
First Angle Projection



ITEM	DESCRIPTION	SPARES No
1	Base	535930060
2	Outer Top	535930030
3	Outer Side LH	531562180
4	Outer Side RH	531562190
5	Control Panel	535930070
6	Inner Back	535930080
7	Outer Back	535930090
8	Inner Side LH	535930100
9	Inner Side RH	535930110
10	Inner Top	535930040
11	Deflector Plate	531562130
12	Wire Grid	531560055
13	Handle for Wire Grid	531532190
14	Disc for Wire Grid	531532200
15	Drip Trough	531560220
16	Drip Tray	531562210

G2532 GRILL FITMENTS

All dimensions in millimetres, Tolerance- Linear  $\pm 0.5\text{mm}$  Angular  $\pm 0.5^\circ$  (or as stated). All sharp edges to be removed from sheet metal parts.



Drawn	I. HAMILTON	Product	G2532 GRILL	
Date	23-09-02	Title	SPARES DIAGRAM-FITMENTS	
Scale				
Matl.		Drawing Number	AD40730	Issue
No. off		Finish		A
Bin No.	RZ333	Kraus No.		

Issue	Mod No.	Alteration	Zone	Drawn by	Date
A	4800	ISSUED FOR PRODUCTION		I. HAMILTON	21-10-02

No reproduction or publication of this drawing may be made and no article may be manufactured or assembled in accordance with this drawing without prior written consent. This prohibition is a term of any contract relating to this drawing. Rights reserved under the Copyright Act 1966 as amended by the Design Copyright Act 1988.

This part is common to the following units

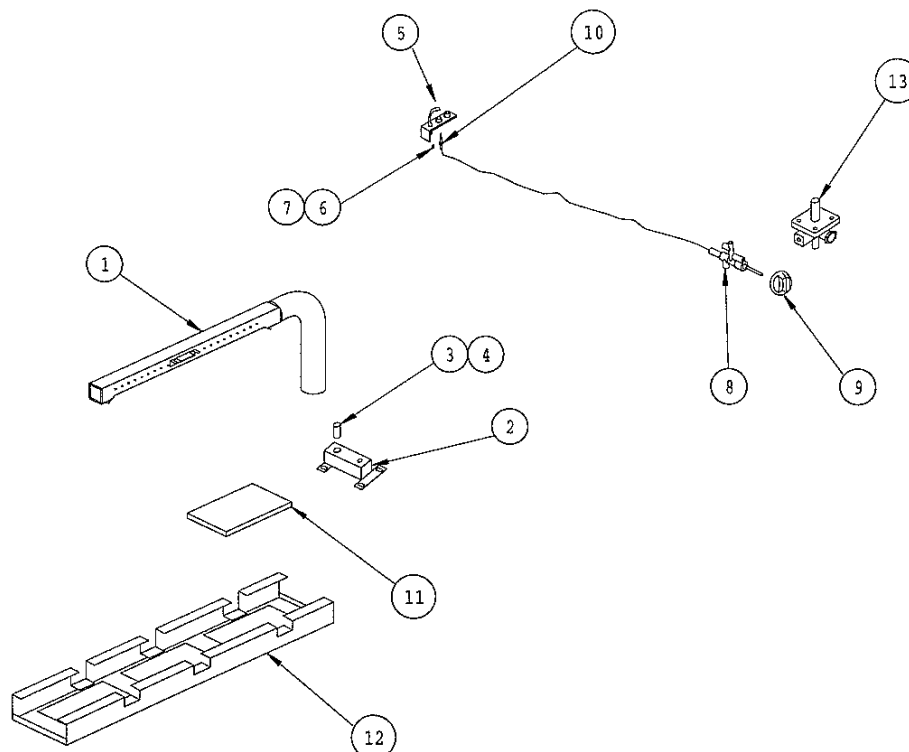
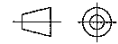
**CLEARED FOR PRODUCTION**

Falcon Foodservice Equipment. Wallace View Hillfoots Road Stirling Scotland

IF IN DOUBT ASK!!

DO NOT SCALE !!

First Angle Projection

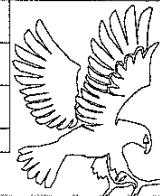


ITEM	DESCRIPTION	SPARES No
1	Burner	531600230
2	Manifold	531600210
3	Injector-Natural	531600220
4	Injector-Propane	531600225
5	Pilot Burner Body	531600050
6	Pilot Orifice-Natural	531600070
7	Pilot Orifice-Propane	531600075
8	Gas Control Tap	537560020
9	Knob for Gas Control Tap	535900000
10	Thermocouple	531600040
11	Plaque (Single)	531600010
12	Burner Plaque Holder	531600607
13	Governor	535900001

G2532 GRILL CONTROLS

All dimensions in millimetres, Tolerance- Linear  $\pm 0.5\text{mm}$  Angular  $\pm 0.5^\circ$  (or as stated). All sharp edges to be removed from sheet metal parts.

<b>A</b>	4800	ISSUED FOR PRODUCTION		I. HAMILTON	21-10-02
<b>G</b>	Issue	Mod No.	Alteration	Zone	Drawn by



Drawn	I. HAMILTON	Product	G2532 GRILL	
Date	24-09-02	Title	SPARES DIAGRAM-CONTROLS	
Scale		Drawing Number	AD40731	Issue
Matl.		Finish		A
No. off		Kraus No.		
Blk. No.	RZZ333			

No reproduction or publication of this drawing may be made and no article may be manufactured or assembled in accordance with this drawing without prior written consent. This prohibition is a part of any contract relating to this drawing. Rights reserved under the Copyright Act 1956 as amended by the Design Copyright Act 1988.

This part is common to the following units

**CLARED FOR PRODUCTION**

Falcon Foodservice Equipment. Wallace View Hillfoots Road Stirling Scotland