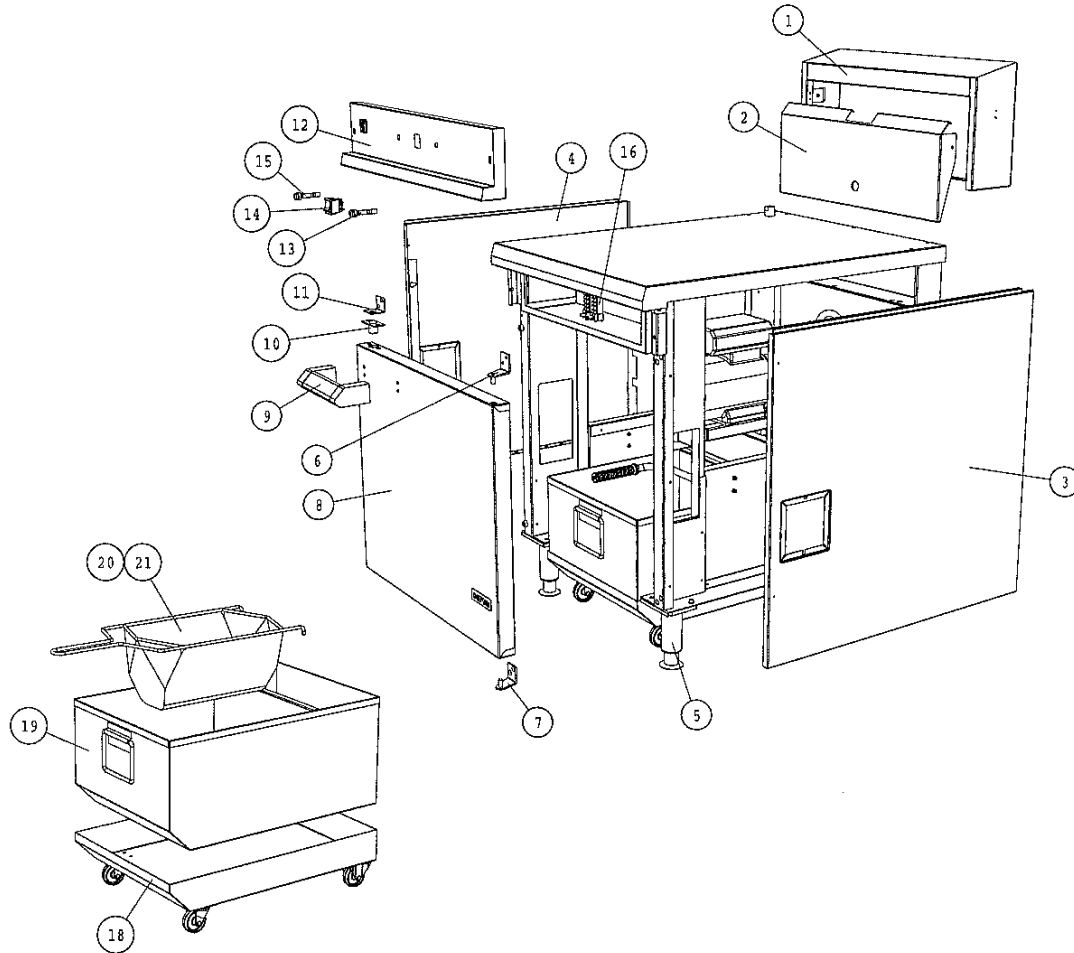
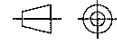


IF IN DOUBT ASK!!

DO NOT SCALE !!
First Angle Projection



ITEM No.	DESCRIPTION	SPARES No.
1	HOSE STOWAGE BOX	734530481
2	HOSE STOWAGE BOX DOOR	734530480
3	RH OUTER SIDE PANEL	537320060
4	LH OUTER SIDE PANEL	537320050
5	ADJUSTABLE FOOT	731313080
6	TOP DOOR HINGE	731402200
7	BOTTOM DOOR HINGE	537320080
8	DOOR ASSEMBLY	537320260
9	DOOR HANDLE	537320261
10	DOOR CATCH	531313030
11	DOOR CATCH BRACKET	531313031
12	CONTROL PANEL	734530482
13	RED NEON	731300060
14	ON/OFF SWITCH	734510150
15	AMBER NEON	731300070
16	TERMINAL BLOCK	735120027
17	WIRING HARNESS (NOT SHOWN)	734560004
18	OIL BUCKET TROLLEY	734560003
19	OIL BUCKET	734560002
20	FILTER ASSY (COARSE)	734530080
21	FILTER ASSY (FINE)	734530090
22	FILTER POWDER	734560001

All dimensions in millimetres, Tolerance- Linear $\pm 0.5\text{mm}$ Angular $\pm 0.5^\circ$ (or as stated). All sharp edges to be removed from sheet metal parts.

Issue	Mod No.	Alteration	Zone	Drawn by	Date
B	1178	DRAWING UPDATED		G. SMITH	08/01/08
A	995	PRODUCTION ISSUE		S. BROWN	09/06/04



Drawn	S. BROWN	Product	E1868X FILTRATION UNIT	
Date	08/03/04	Title	SPARES INFORMATION - BODY	
Scale				
Matl.		Drawing Number	AD42431	Issue
No. off		Finish		B
Bin No.		Kraus No.	T111417	

This part is common to the following units

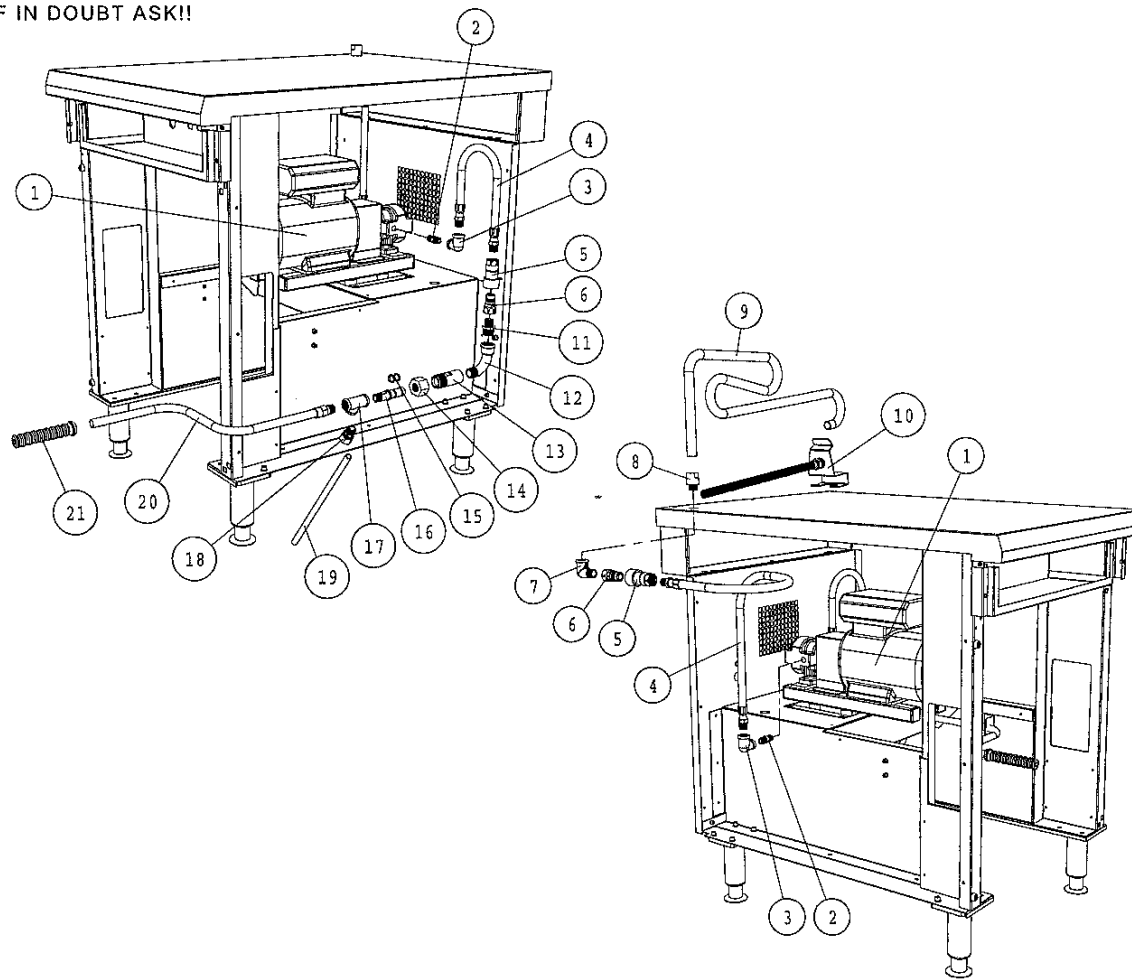
© No reproduction or publication of this drawing may be made and no article may be manufactured or assembled in accordance with this drawing without prior written consent. This prohibition is a condition of any contract relating to this drawing. Rights reserved under the Copyright Act 1956 as amended by the Design Copyright Act 1988.

PREPARED FOR PRODUCTION

Falcon Foodservice Equipment. Wallace View Hillfoots Road Stirling Scotland

IF IN DOUBT ASK!!

DO NOT SCALE !!
First Angle Projection



ITEM No.	DESCRIPTION	SPARES No.
1	OIL PUMP	734560005
2	HEX NIPPLE	734560006
3	90 DEG ELBOW	734560007
4	FLEXIBLE BRAIDED HOSE	734530180
5	QUICK RELEASE COUPLING - FEMALE	734530245
6	QUICK RELEASE COUPLING - MALE	734530240
7	90 DEG ELBOW	734560008
8	ADAPTOR	734560009
9	OIL DELIVERY HOSE - 1250mm LONG	724530511
	OIL DELIVERY HOSE - 1850mm LONG	724530611
	OIL DELIVERY HOSE - 2450mm LONG	724530711
10	FLEXIBLE OIL DELIVERY HOSE ASSY	734560010
11	NIPPLE	734560011
12	90 DEG BEND	734560012
13	SWIVEL SEAL CYLINDER	734560013
14	SWIVEL SEAL NUT	734560014
15	'O' RING	734530130
16	SWIVEL SEAL SHAFT	734530140
17	EQUAL TEE	734534321
18	STUD COUPLING	734560015
19	OIL SUCTION TUBE	734560016
20	OIL DELIVERY SWIVEL HANDLE	734560017
21	HANDLE GRIP	734560018

All dimensions in millimetres, Tolerance- Linear $\pm 0.5\text{mm}$ Angular $\pm 0.5^\circ$ (or as stated). All sharp edges to be removed from sheet metal parts.

A	1178	PRODUCTION ISSUE		G.SMITH	09/01/08
Issue	Mod No.	Alteration	Zone	Drawn by	Date



Drawn	G.SMITH	Product	E1868X FILTRATION UNIT	
Date	09/01/08	Title	SPARES INFORMATION - PUMP / FITTINGS	
Scale		Matl.	Drawing Number	Issue
No. off	-	Finish	AD45853	A
Bin No.		Kraus No.	T111819	

No reproduction or publication of this drawing may be made and no article may be manufactured or assembled in accordance with this drawing without prior written consent. This copyright is a guarantee of any contract relating to this drawing. Rights reserved under the Copyright Act 1958 as amended by the Design Copyright Act 1988.

This part is common to the following units

CLEARED FOR PRODUCTION

Falcon Foodservice Equipment. Wallace View Hillfoots Road Stirling Scotland