

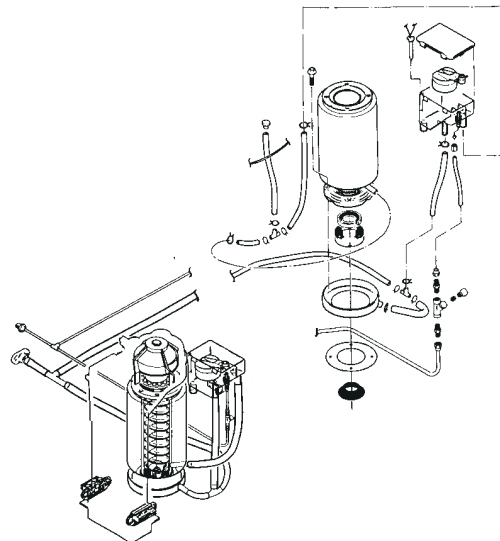
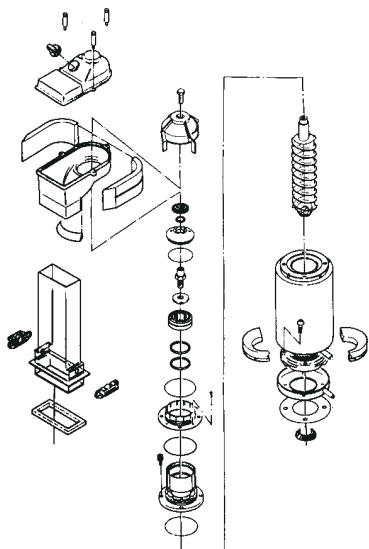
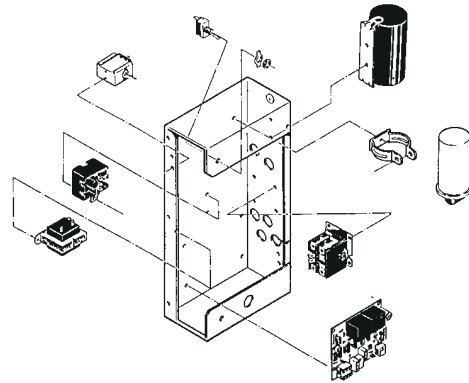
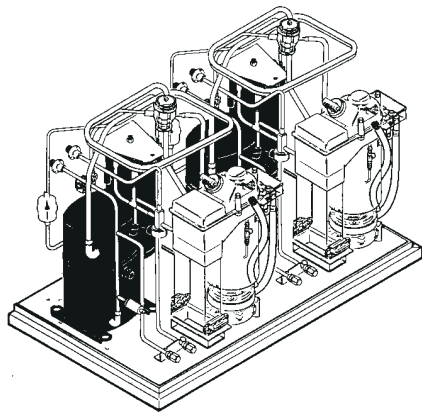
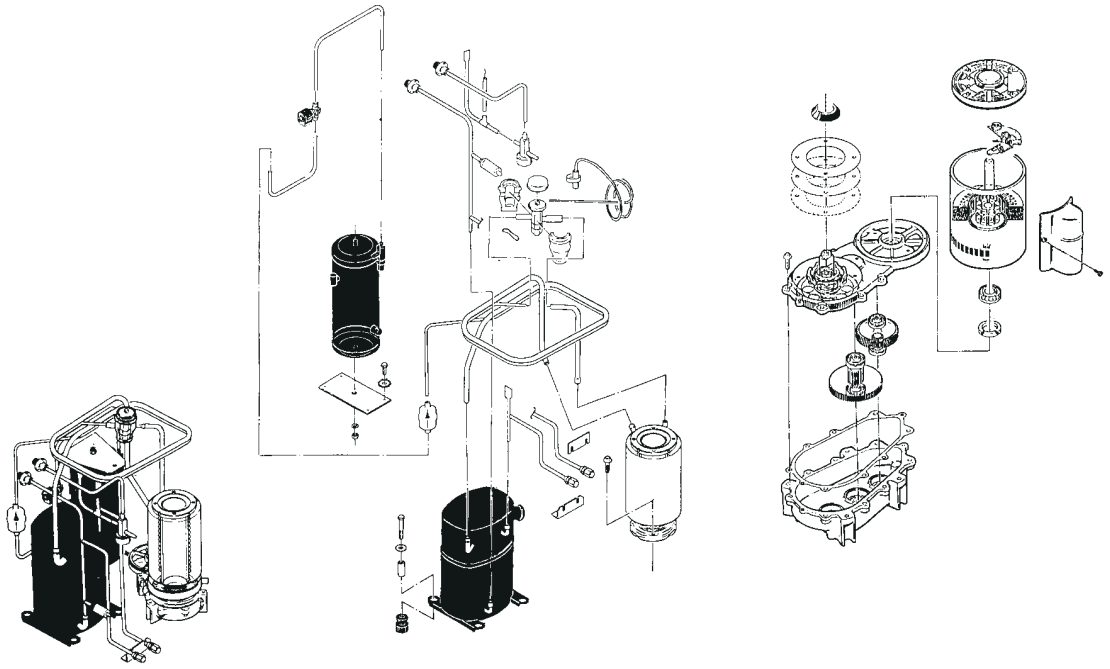
# NM1850R SERVICE PARTS

This parts list contains the service parts and wiring diagrams for this model. Check the model number in question to be sure that it is applicable to this parts list.

## TABLE OF CONTENTS

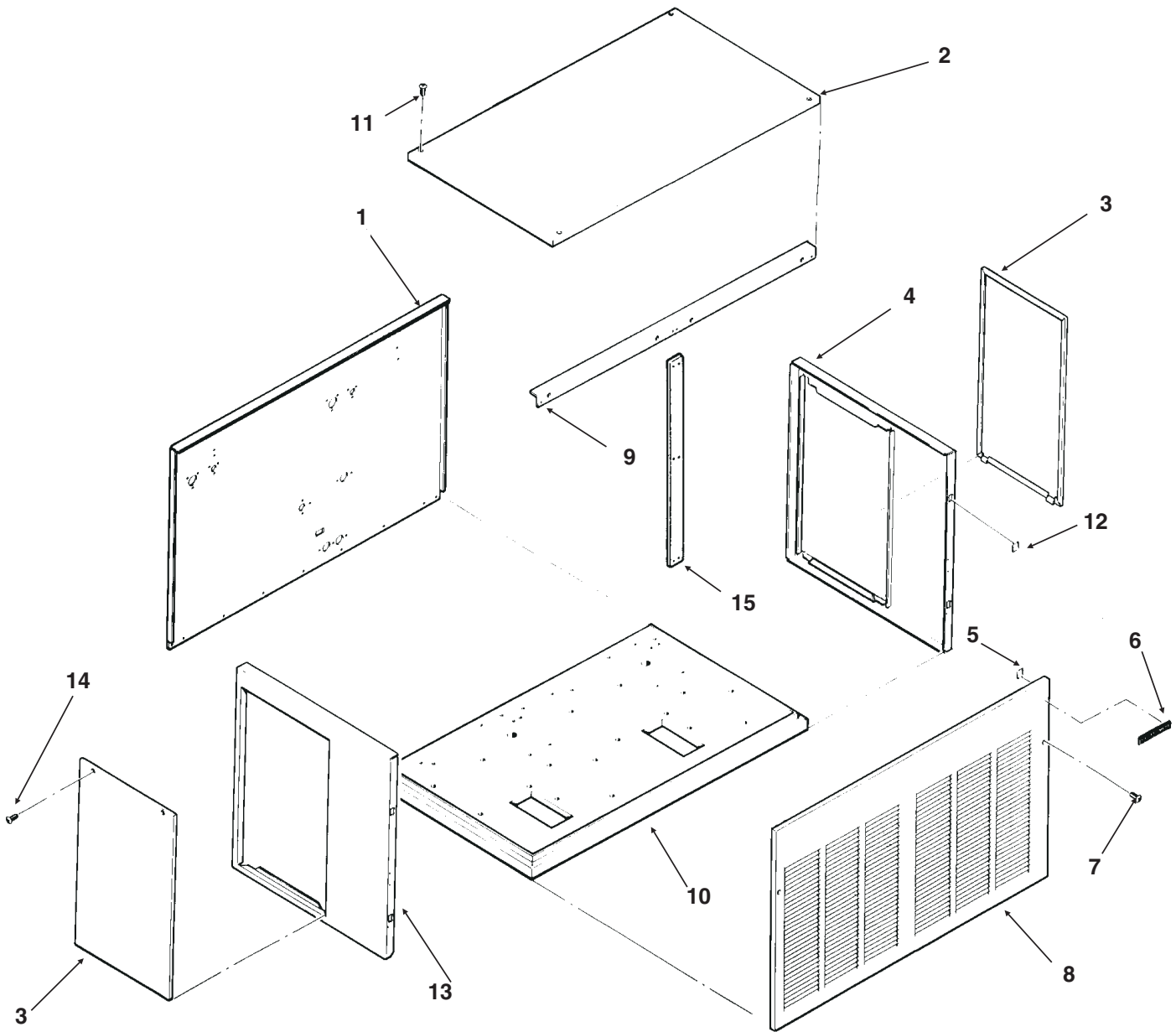
|                        |   |
|------------------------|---|
| Cabinet .....          | 2 |
| Refrigeration .....    | 3 |
| Water .....            | 4 |
| Gearmotor.....         | 5 |
| Evaporator .....       | 6 |
| Control Box.....       | 7 |
| Remote Condenser ..... | 8 |
| Wiring Diagrams .....  | 9 |

# NM1850R SERVICE PARTS



# NM1850R SERVICE PARTS

## Cabinet Assembly

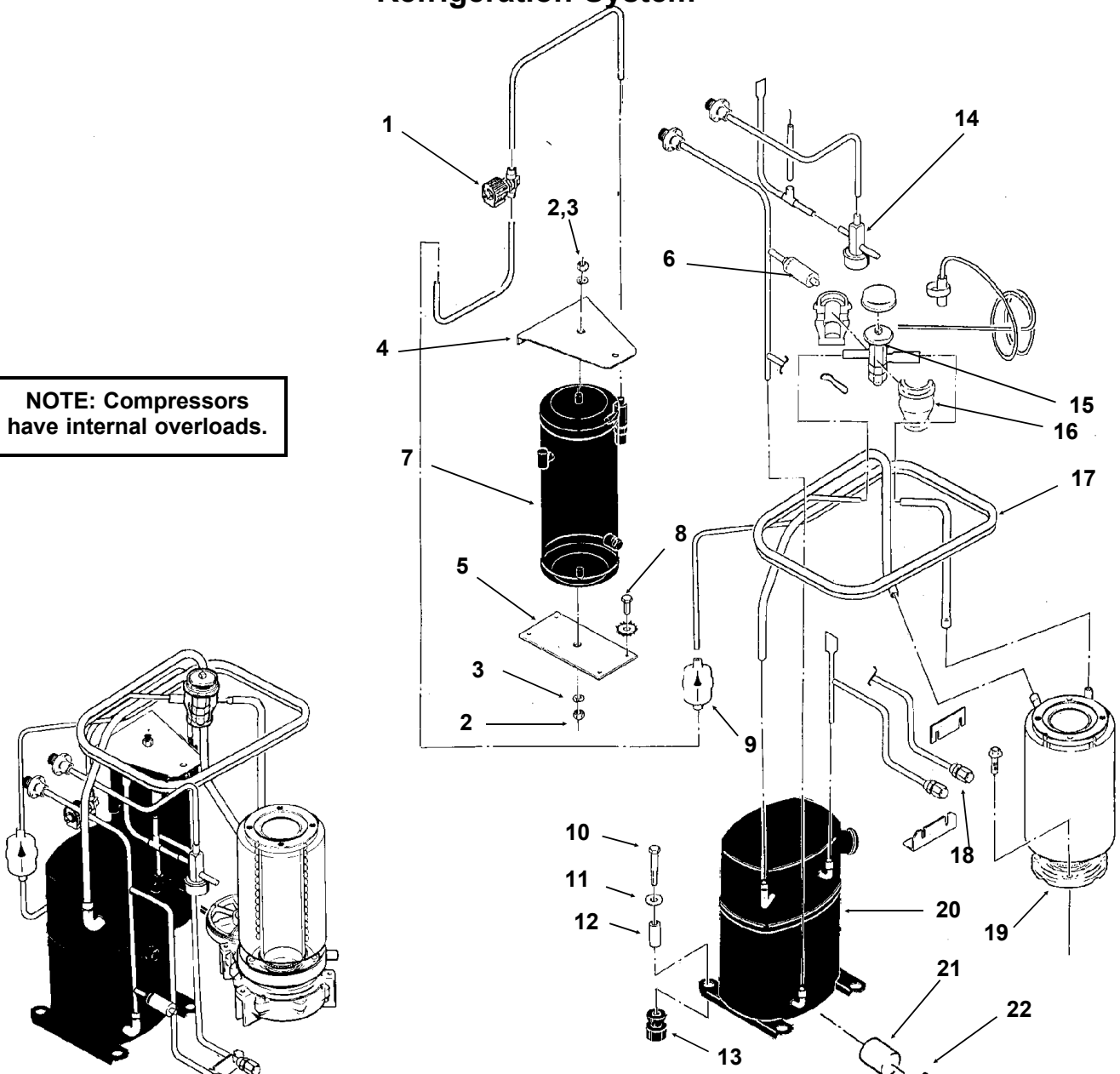


| ITEM NUMBER | PART NUMBER | DESCRIPTION               | ITEM NUMBER | PART NUMBER | DESCRIPTION              |
|-------------|-------------|---------------------------|-------------|-------------|--------------------------|
| 1           | A34283-001  | Back Panel, Painted       | 9           | A34287-001  | Support                  |
| 2           | A32461-001  | Top Panel, Painted        | 10          | A34282-001  | Base                     |
|             | A32461-002  | Top Panel, S.S.           | 11          | 03-1531-01  | Screw                    |
| 3           | A34038-001  | Service Panel, Painted    | 12          | 02-0836-00  | Catch                    |
|             | A34038-002  | Service Panel, S.S.       | 13          | A32435-001  | Left Side Panel, Painted |
| 4           | A33292-001  | Right Side Panel, Painted |             | A32435-002  | Left Side Panel, S.S.    |
|             | A33292-002  | Right Side Panel, S.S.    | 14          | 03-1404-12  | Screw                    |
| 5           | 03-0271-00  | Speed Clip                | 15.         | A34286-001  | Center Support           |
| 6           | 15-0711-01  | Emblem                    |             |             |                          |
| 7           | 03-1419-08  | Screw                     |             |             |                          |
| 8           | A34294-001  | Front Panel, Painted      |             |             |                          |
|             | A34294-002  | Front Panel, S.S.         |             |             |                          |

# NM1850R SERVICE PARTS

## Refrigeration System

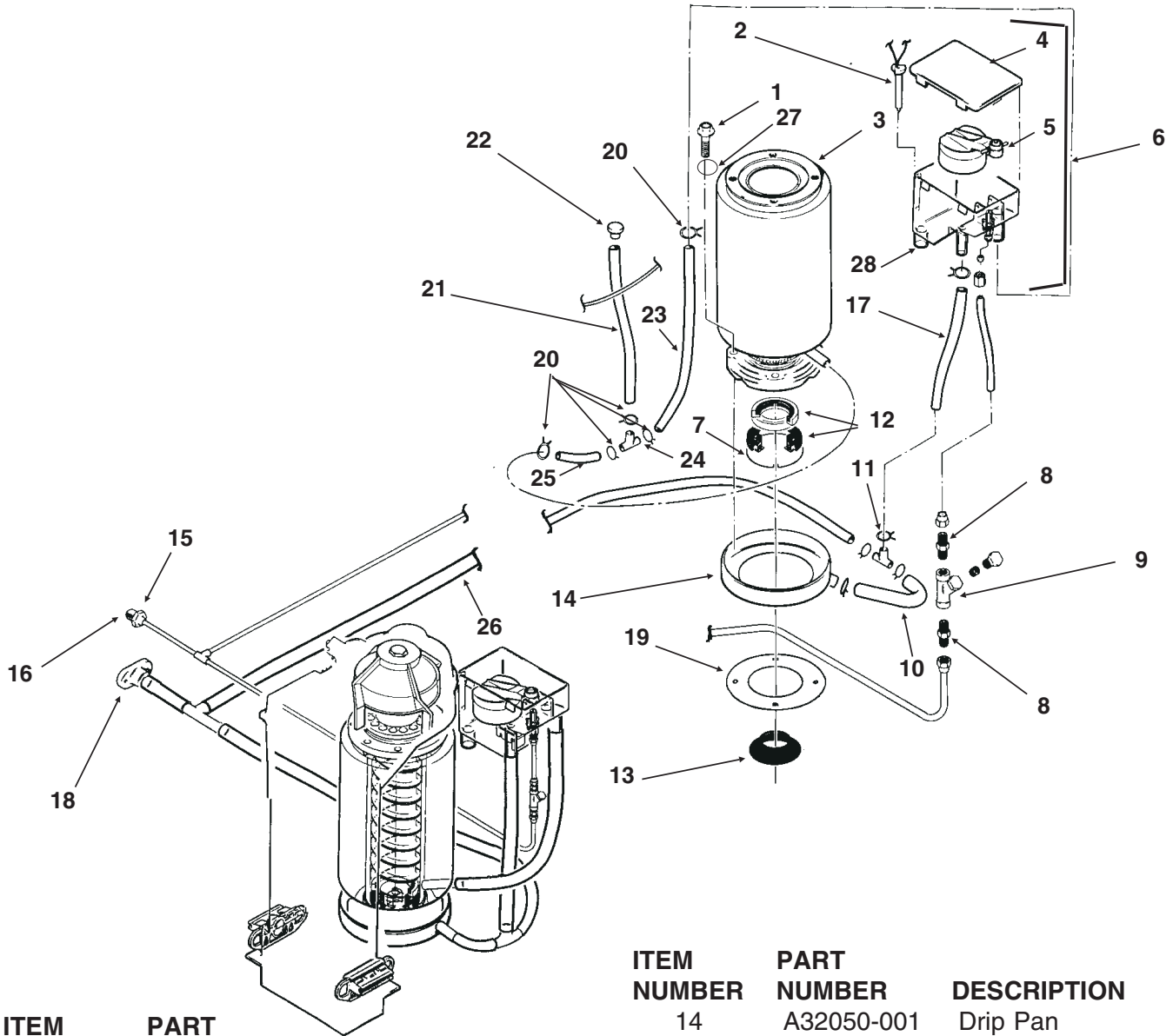
**NOTE: Compressors have internal overloads.**



| ITEM NUMBER | PART NUMBER | DESCRIPTION         | ITEM NUMBER | PART NUMBER | DESCRIPTION            |
|-------------|-------------|---------------------|-------------|-------------|------------------------|
| 1           | 12-2257-01  | Liquid Line Valve   | 13          | 18-6800-01  | Rubber Grommet         |
| 2           | 03-1406-13  | Nut                 | 14          | 11-0422-22  | Head Pressure Valve    |
| 3           | 03-1410-06  | Washer              | 15          | 16-0780-01  | Thermo Expansion Valve |
| 4           | A32968-001  | Receiver Brace      | 16          | A32961-020  | Insulation Kit for TXV |
| 5           | A31801-002  | Receiver Mount      | 17          | A34050-001  | Suction Line           |
| 6           | 11-0446-23  | Hi Pressure Cut Out | 18          | 16-0560-00  | Core                   |
| 7           | 16-0761-01  | Receiver            |             | 16-0563-00  | Nut                    |
| 8           | 03-1645-01  | Cap Screw           | 19          | A32890-020  | Evaporator             |
| 9           | 02-2426-02  | Dryer               | 20          | 18-8879-21  | Compressor (1 Phase)   |
| 10          | 03-1405-20  | Cap Screw           |             | 18-8879-22  | Compressor (3 Phase)   |
| 11          | 03-1407-07  | Washer              | 21          | 18-2308-01  | Crankcase Heater       |
| 12          | 18-2300-26  | Sleeve              | 22          | 18-2309-01  | Clip                   |

# NM1850R SERVICE PARTS

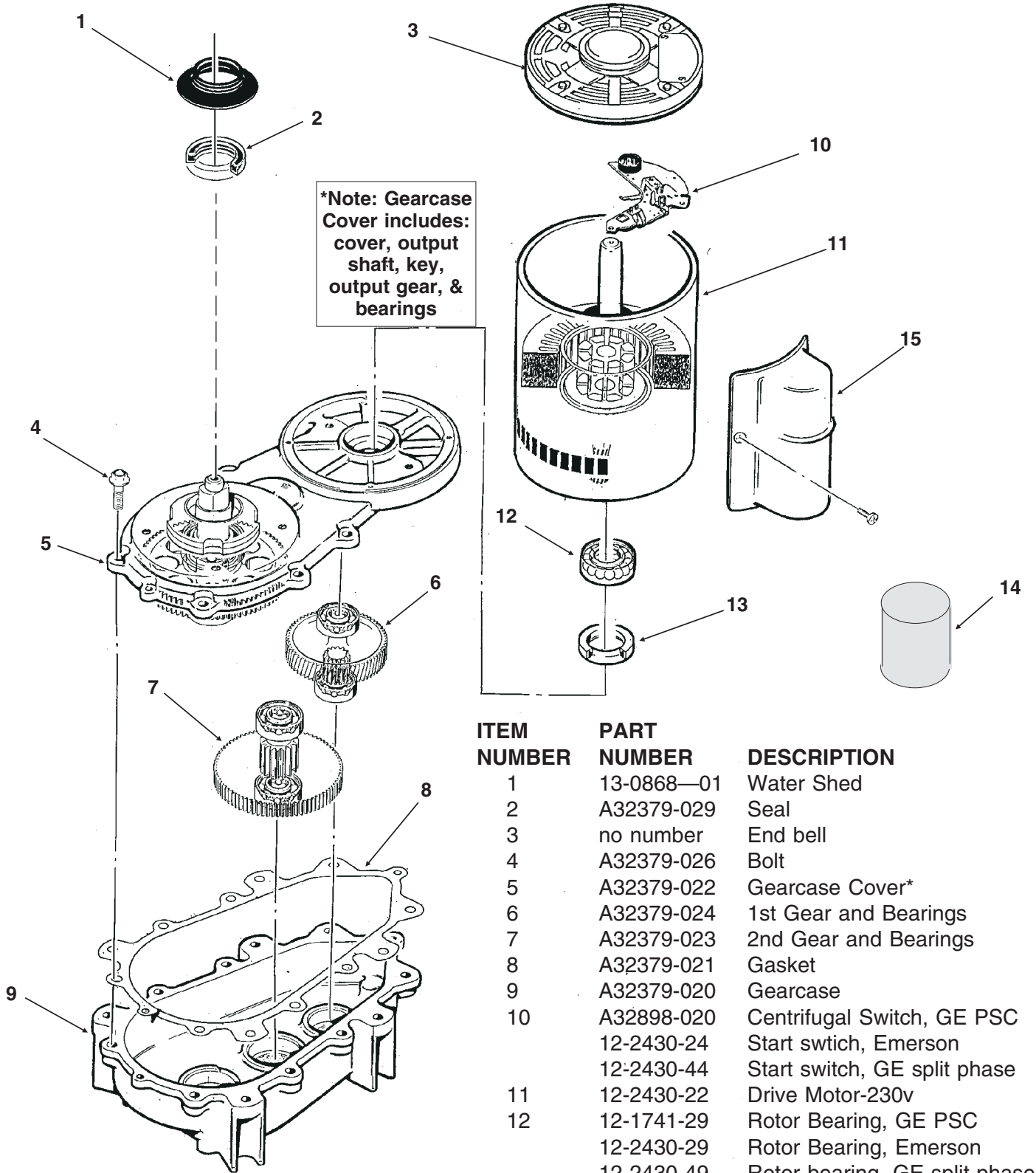
## Water System, Water Seal



| ITEM NUMBER | PART NUMBER | DESCRIPTION  | ITEM NUMBER | PART NUMBER | DESCRIPTION               |
|-------------|-------------|--|-------------|-------------|---------------------------|
| 1           | 03-1420-03  | Cap Screw  | 14          | A32050-001  | Drip Pan                  |
| 2           | A33101-022  | Water Level Sensor   | 15          | A27318-001  | Water Inlet Fitting       |
| 3           | A32890-020  | Evaporator   | 16          | 03-1394-01  | Pal Nut                   |
| 4           | 02-2936-01  | Res. Cover   | 17          | 13-0079-03  | Res. Overflow, 8" req.    |
| 5           | A32922-020  | Float Assembly with pin, housing seal, rubber seal, insert & float | 18          | A3282-004   | Drain Casting             |
| 6           | A32929-020  | Reservoir Assembly   | 19          | 13-0704-00  | Gasket                    |
| 7           | A32777-001  | Retaining Ring for Seal  | 20          | 02-2814-08  | Clamps                    |
| 8           | 16-0791-01  | Half Union   | 21          | 13-0674-06  | Evap. Drain, 14" req.     |
| 9           | 16-0162-00  | Strainer   | 22          | A33205-001  | Plug                      |
| 10          | 13-0079-03  | Tube, 6.5" req.  | 23          | 13-0674-06  | Evap. Inlet Tube, 5" req. |
| 11          | 16-0670-02  | Tee  | 24          | 16-0670-01  | Tee                       |
| 12          | 02-0929-02  | Water Seal   | 25          | A33203-001  | Tube, Preformed           |
| 13          | 13-0868-01  | Water Shed   | 26          | 13-0079-03  | Drain Tube, 24" req.      |
|             |             |  | 27          | 03-1417-13  | Lockwasher                |
|             |             |  | 28          | 13-0230-00  | Rubber Cap                |
|             |             |  |             | 02-2814-01  | Clamp                     |

# NM1850R SERVICE PARTS

## Gearmotor

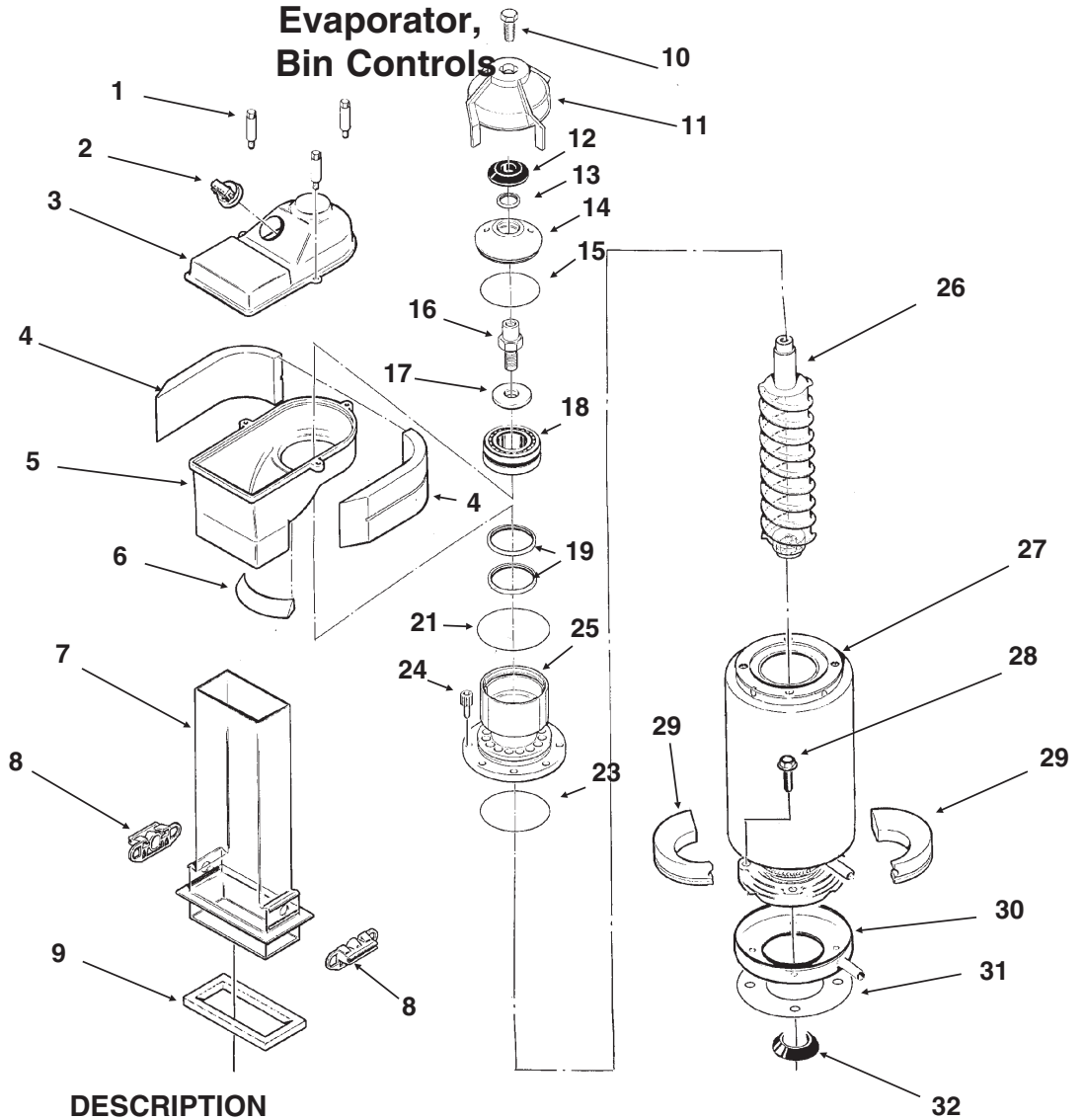


| ITEM NUMBER | PART NUMBER | DESCRIPTION                   |
|-------------|-------------|-------------------------------|
| 1           | 13-0868—01  | Water Shed                    |
| 2           | A32379-029  | Seal                          |
| 3           | no number   | End bell                      |
| 4           | A32379-026  | Bolt                          |
| 5           | A32379-022  | Gearcase Cover*               |
| 6           | A32379-024  | 1st Gear and Bearings         |
| 7           | A32379-023  | 2nd Gear and Bearings         |
| 8           | A32379-021  | Gasket                        |
| 9           | A32379-020  | Gearcase                      |
| 10          | A32898-020  | Centrifugal Switch, GE PSC    |
|             | 12-2430-24  | Start swtich, Emerson         |
|             | 12-2430-44  | Start switch, GE split phase  |
| 11          | 12-2430-22  | Drive Motor-230v              |
| 12          | 12-1741-29  | Rotor Bearing, GE PSC         |
|             | 12-2430-29  | Rotor Bearing, Emerson        |
|             | 12-2430-49  | Rotor bearing, GE split phase |
| 13          | A32379-028  | Seal                          |
| 14          | A32379-027  | Oil, 1 Container              |
| 15          | 122314-22   | Capacitor, GE only            |
| 16          | A33220-022  | Complete Assembly 230v        |
|             | A33220-030  | Gearcase kit, no motor        |

# NM1850R SERVICE PARTS

## Evaporator, Bin Controls

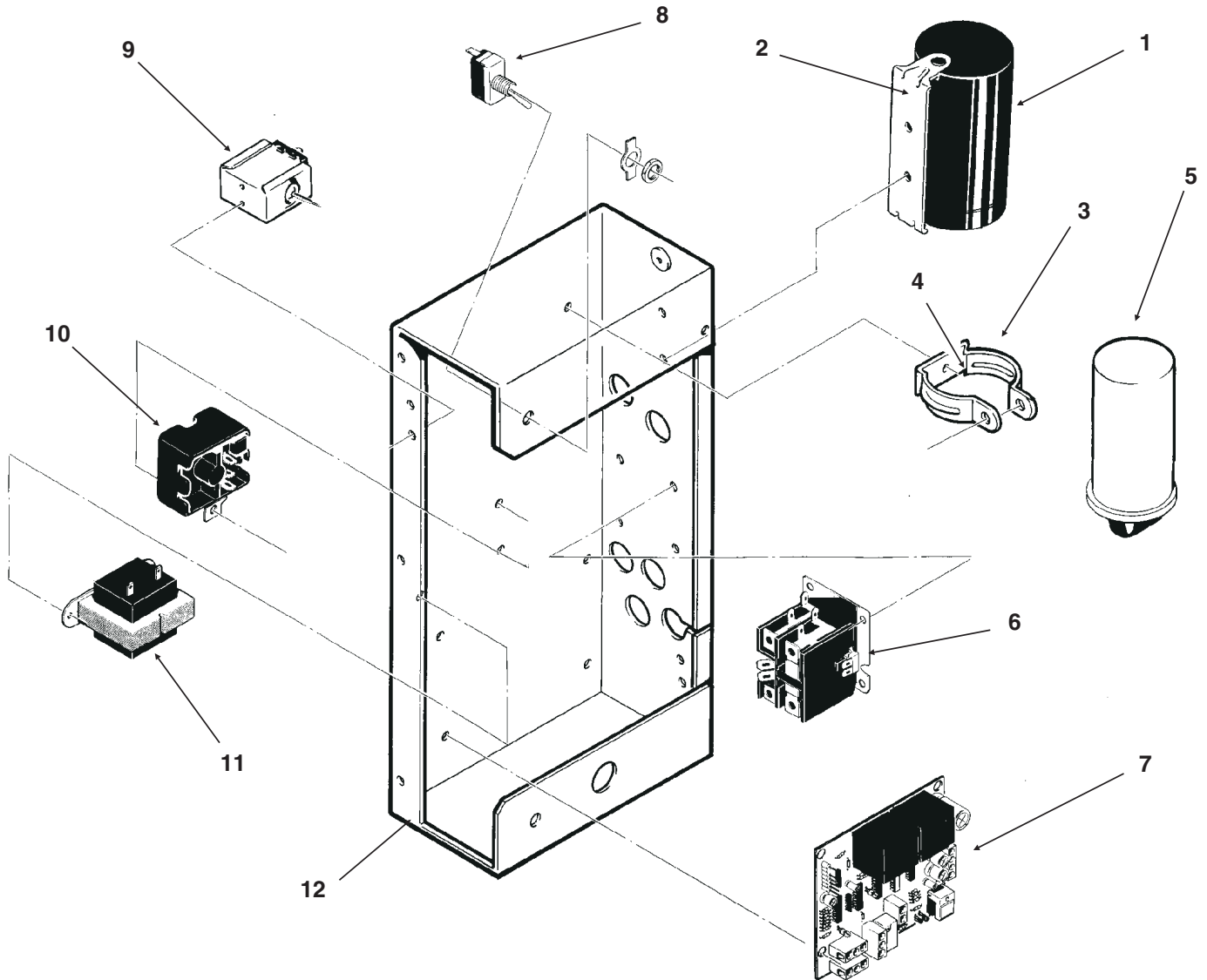
Note: Bail clamp, PN  
A34969-001 used  
beginning Jan. 1991



| ITEM NUMBER | PART NUMBER | DESCRIPTION                      |
|-------------|-------------|----------------------------------|
| 1.          | 02-2933-01  | Hex Stud                         |
| 2.          | A32891-001  | Switch Assembly                  |
|             | 13-0617-53  | O-ring                           |
|             | 12-2398-01  | Manual reset switch              |
| 3.          | 02-2930-01  | Ice Chute Cover                  |
| 4.          | A32963-001  | Insulation Top (half)            |
| 5.          | 02-2926-01  | Ice Chute Body                   |
| 6.          | A33102-001  | Insulation Collar Inside         |
|             | A35419-020  | Strap kit                        |
| 7.          | 02-2929-01  | Ice Chute Lower                  |
| 8.          | A33117-020  | Bin Controls Assy.<br>(set of 2) |
| 9.          | A32930-001  | Chute Gasket                     |
| 10.         | 03-1405-52  | Hex Cap Screw                    |
| 11.         | 02-3001-01  | Ice Sweep                        |
| 12.         | 13-0871-01  | Water Shed                       |
| 13.         | 02-2978-01  | Lip Seal                         |
| 14.         | 02-3128-01  | Breaker Cover                    |
| 15.         | 13-0617-52  | O-Ring                           |
| 16.         | 08-0653-01  | Auger Stud                       |
| 17.         | 08-0654-01  | Thrust Washer                    |
| 18.         | A34559-020  | Bearing                          |
| 19.         | 02-2977-01  | Lip Seal                         |
| 20.         | no number   |                                  |
| 21.         | 13-0617-54  | O-Ring                           |
| 22.         | no number   |                                  |
| 23.         | 13-0617-45  | O-Ring                           |
| 24.         | 03-1544-08  | Soc. Head Screw                  |
| 25.         | A32900-020  | Breaker<br>(includes 18 & 19)    |
| 26.         | 02-3003-01  | Auger                            |
| 27.         | A32890-020  | Evaporator                       |
| 28.         | 03-1420-03  | Cap Screw                        |
| 29.         | A32962-001  | Insulation Bot. (half)           |
| 30.         | A32050-001  | Drip Pan                         |
| 31.         | 13-0704-00  | Drip Pan Gasket                  |
| 32.         | 13-0868-01  | Water Shed                       |

# NM1850R SERVICE PARTS

## Control Box

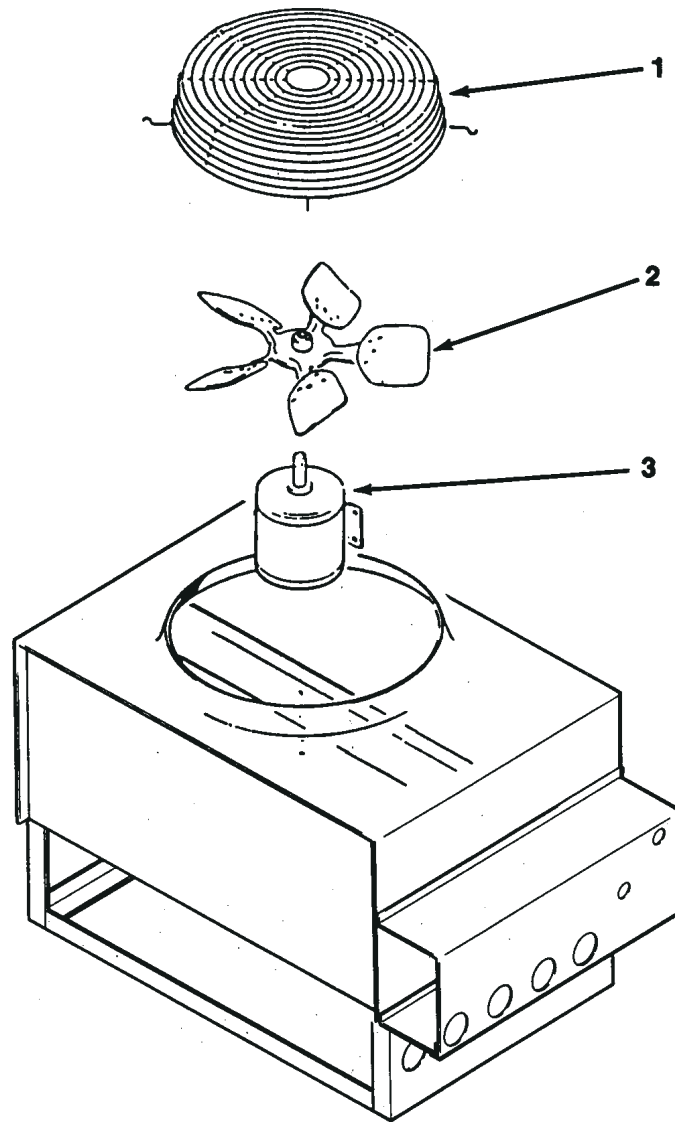


| ITEM NUMBER | PART NUMBER | DESCRIPTION             | ITEM NUMBER                       | PART NUMBER | DESCRIPTION          |
|-------------|-------------|-------------------------|-----------------------------------|-------------|----------------------|
| 1           | 18-1901-48  | Start Capacitor         | 7                                 | A37750-021  | Circuit Board        |
|             | 18-4300-50  | Start Capacitor Cap.    | 8.                                | 12-0426-01  | Master Switch        |
| 2.          | 18-2200-39  | Start Capacitor Bracket | 9.                                | 11-0420-23  | Low Pressure Control |
|             | 03-1638-04  | Screw                   | 10                                | 18-1903-46  | Potential Relay      |
|             | 03-1417-15  | Lockwasher              | 11.                               | 12-2285-22  | Transformer          |
| 3.          | A32872-001  | Run Cap Bracket         | 12                                | no number   | Control Box Assy     |
|             | 03-1652-02  | Bolt                    | NOT ILLUSTRATED                   |             |                      |
|             | 03-0255-04  | Wing Nut                | 13.                               | 12-2337-02  | 3 Pin Plug Assy      |
| 4.          | 03-1638-03  | Screw                   | (Safety Circuit to Circuit Board) |             |                      |
| 5.          | 18-1902-45  | Run Capacitor           | 14.                               | 12-2340-01  | 4 Pin Plug Assy      |
| 6.          | 12-2469-02  | Single Phase Contactor  | (Transformer to Circuit Board)    |             |                      |
|             | 12-0739-02  | Three Phase Contactor   | Separate From The Control Box     |             |                      |
|             |             |                         | 15.                               | 12-2070-04  | Fan Motor Relay      |
|             |             |                         | (in a separate control box)       |             |                      |



# NM1850R SERVICE PARTS

## Remote Condenser



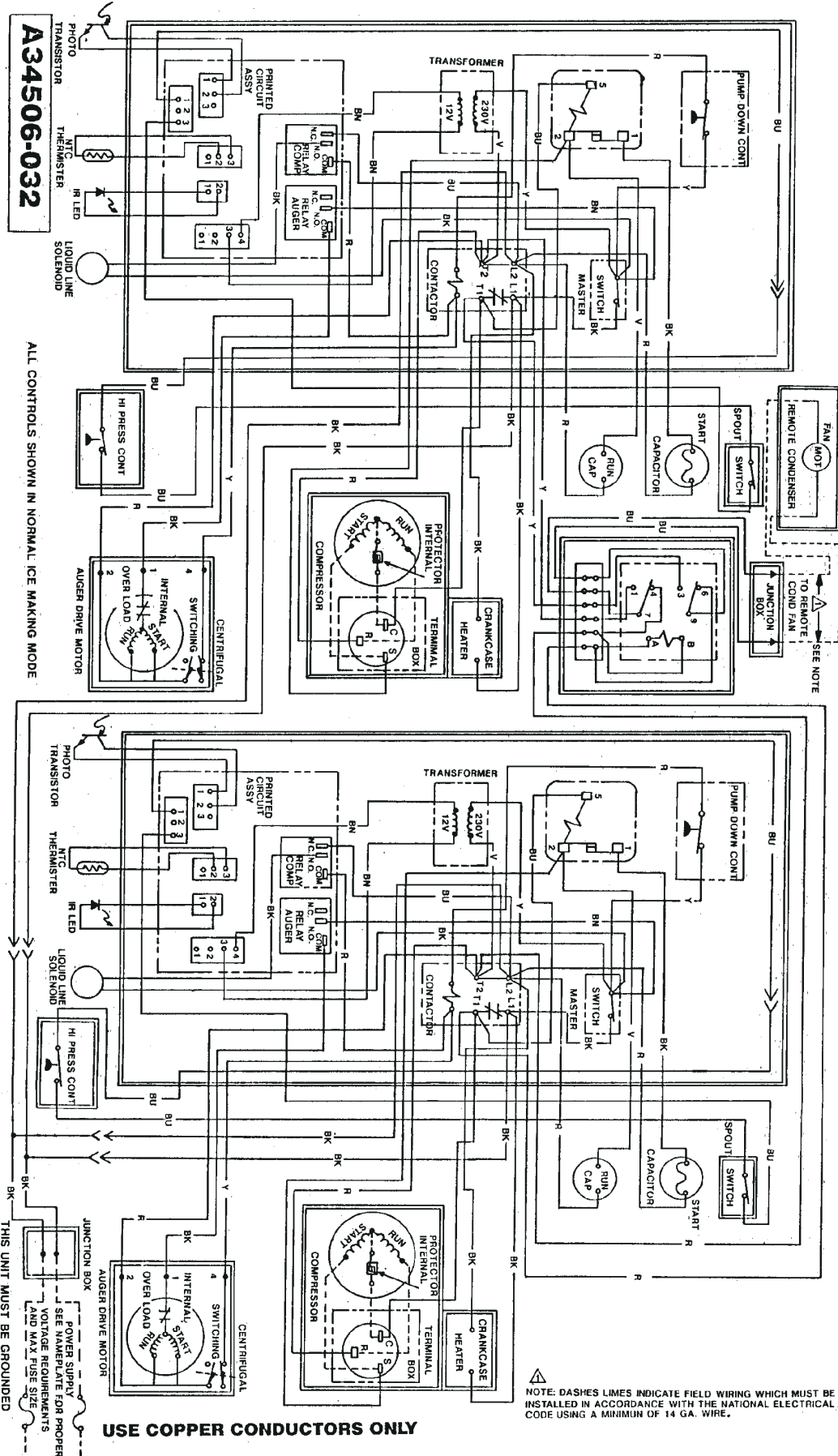
### RC1052-32A

| ITEM NUMBER | PART NUMBER | DESCRIPTION |
|-------------|-------------|-------------|
| 1.          | 02-2628-01  | Fan Guard   |
| 2.          | 18-6304-01  | Fan Blade   |
| 3.          | 18-5301-01  | Fan Motor   |

# NM1850R SERVICE PARTS

Component Layout Diagram

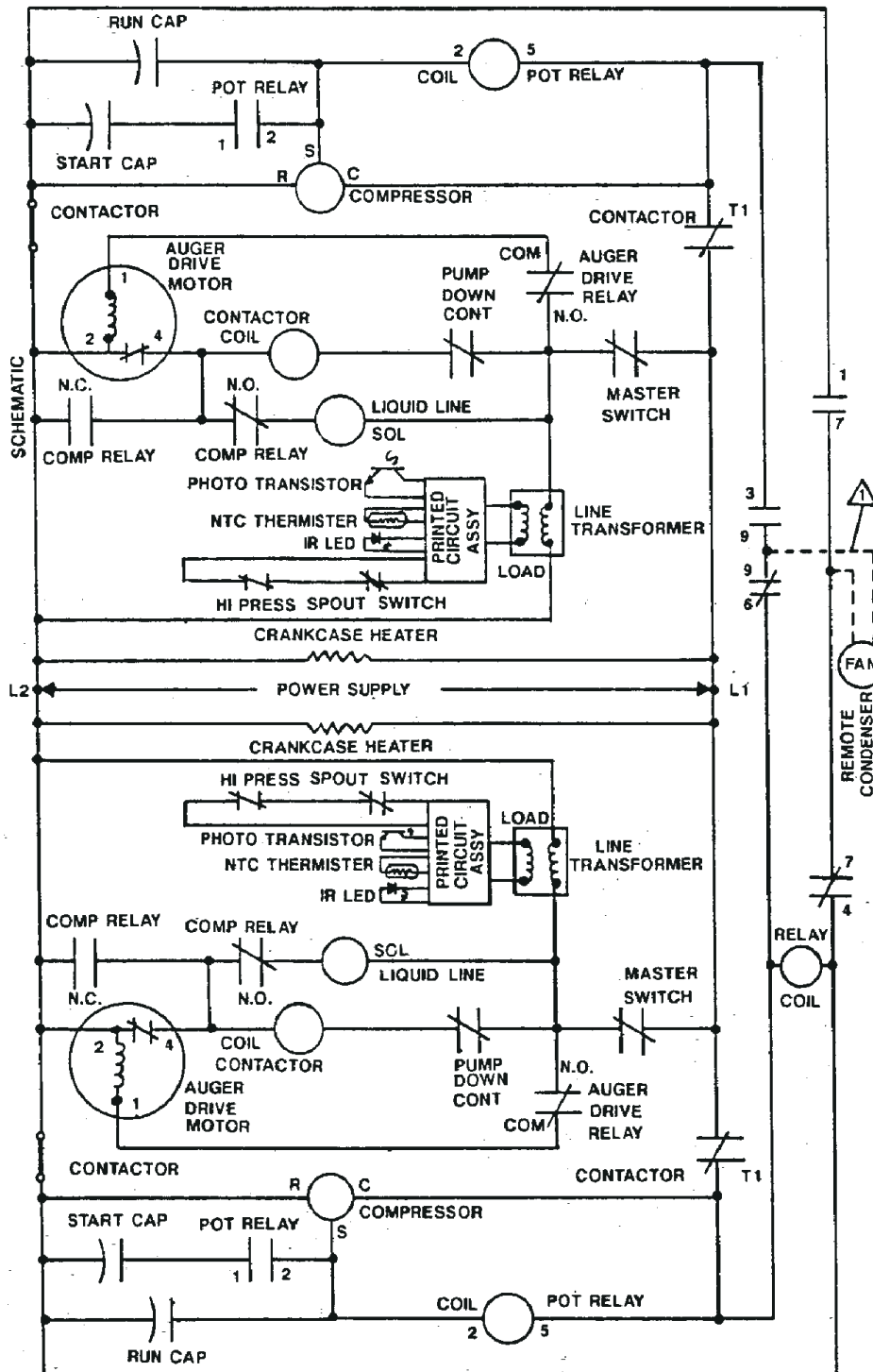
208-230/60/1



# NM1850R SERVICE PARTS

Schematic Diagram

208-230/60/1



**USE COPPER CONDUCTORS ONLY THIS UNIT MUST BE GROUNDED**

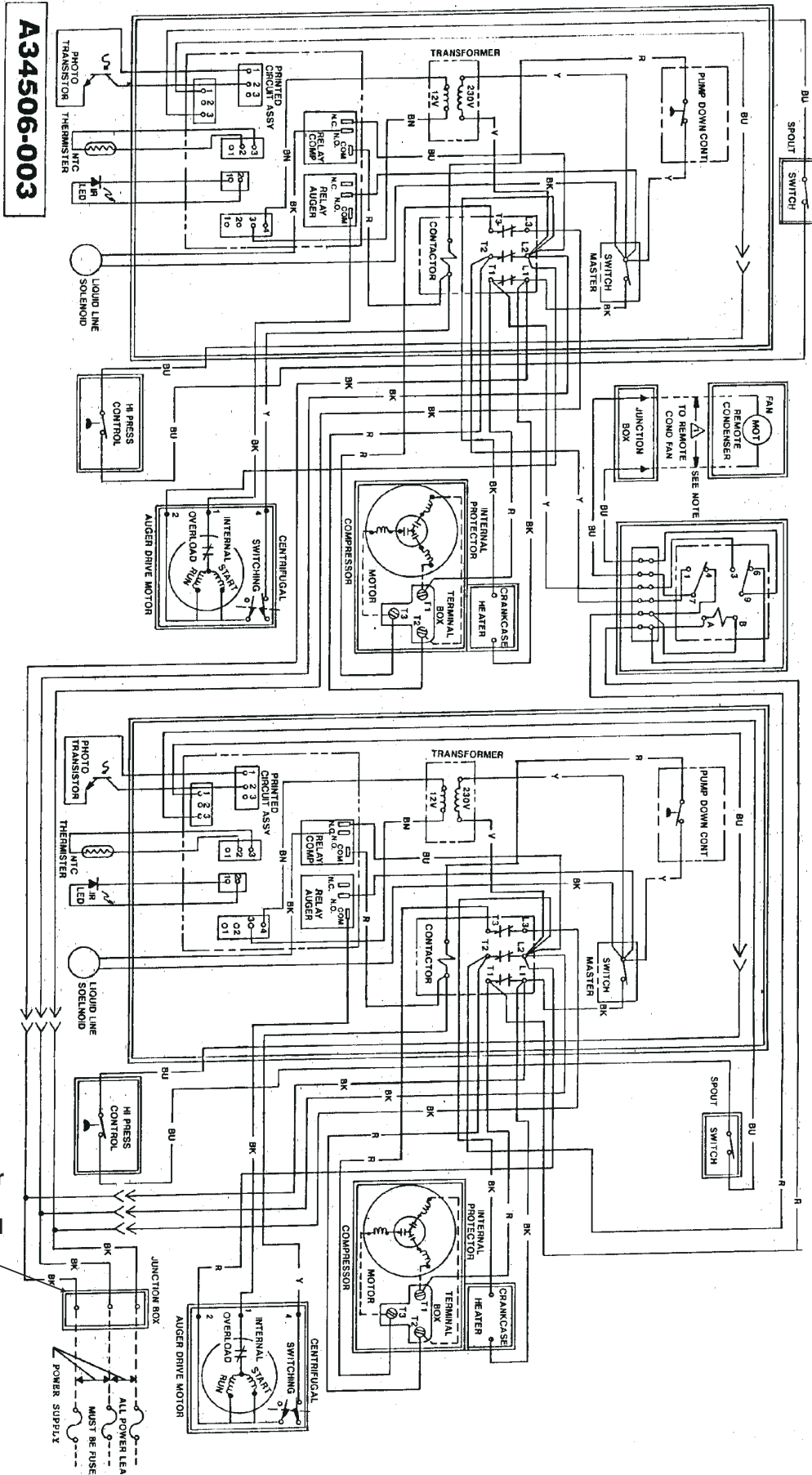
All Controls Shown in Normal Ice Making Mode.

Note: Dashed lines indicate field wiring which must be installed in accordance with the National Electric Code Using a Minimum of 14 ga. awg. wire.

# NM1850R SERVICE PARTS

Component Layout Diagram

208-230/60/3



**A34506-003**

Power Supply  
See Nameplate for  
Proper Voltage  
Requirements and  
Max Fuse Size.  
All Power Leads  
Must Be Fused

# NM1850R SERVICE PARTS

Schematic Diagram

208-230/60/3

