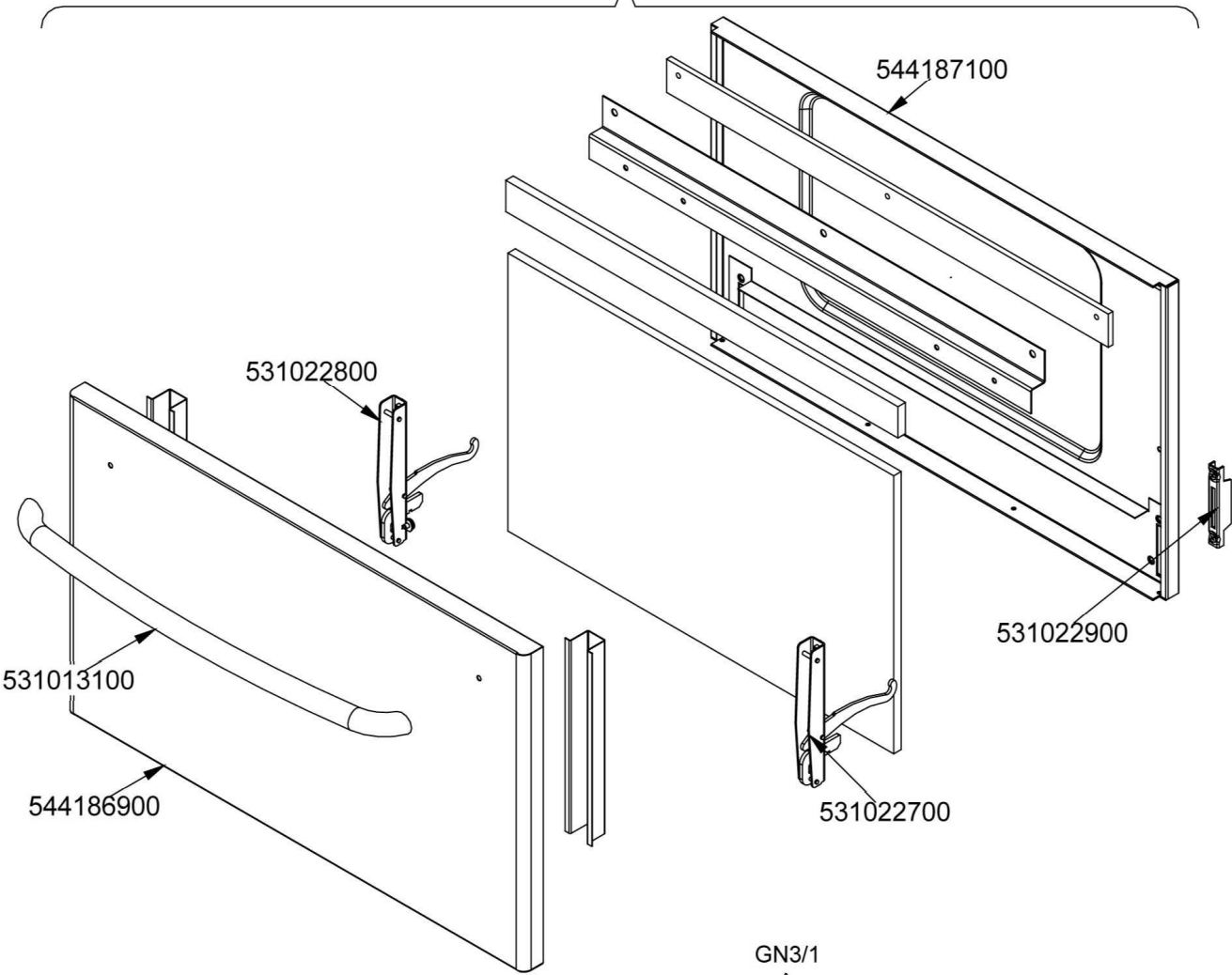
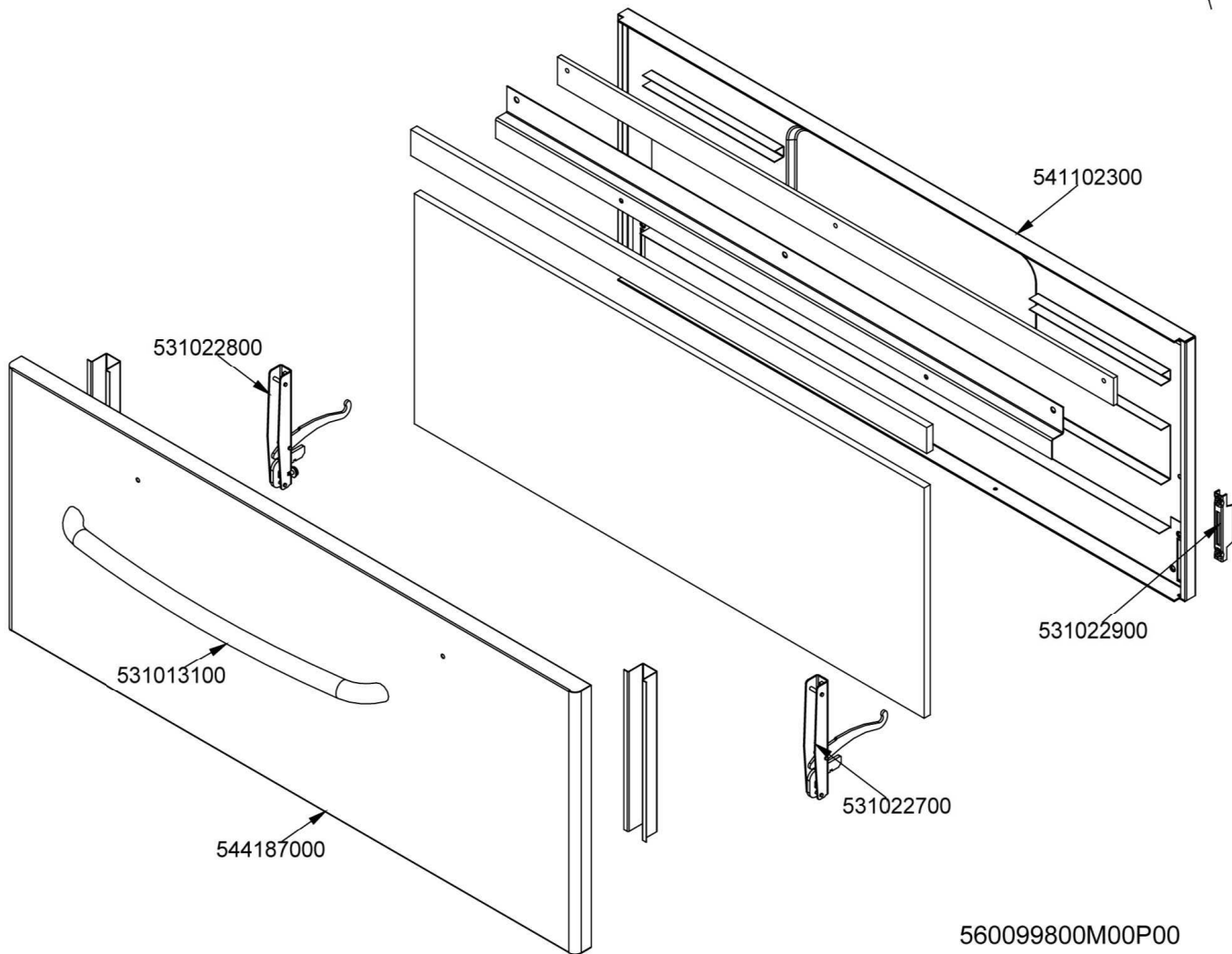


GN2/1



GN3/1

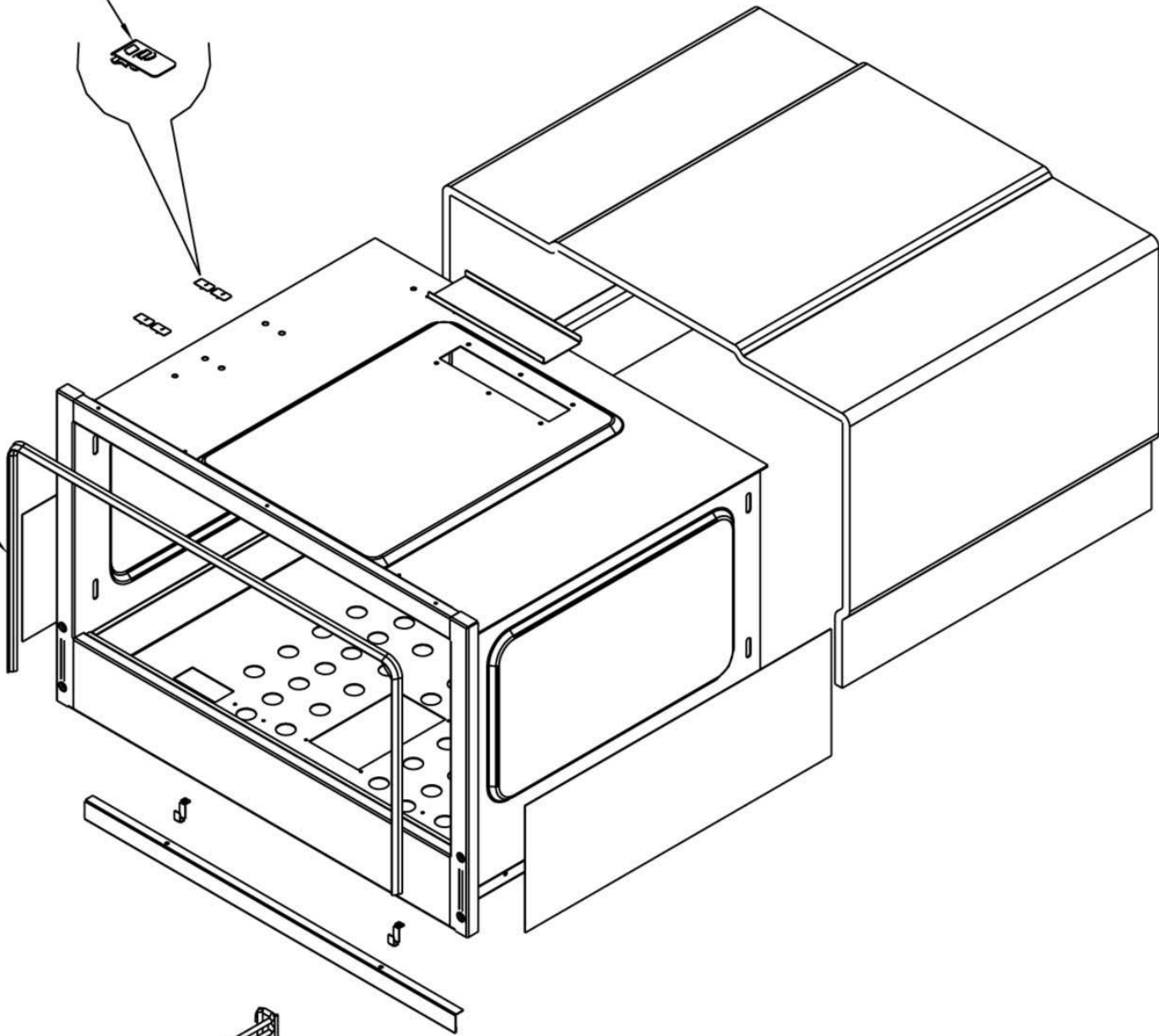


560099800M00P00

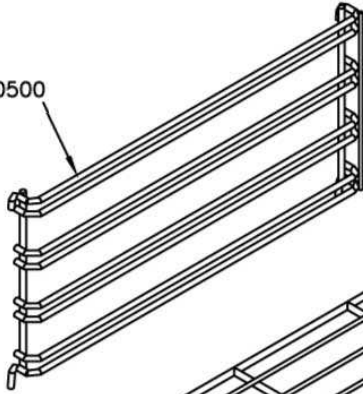
533037600



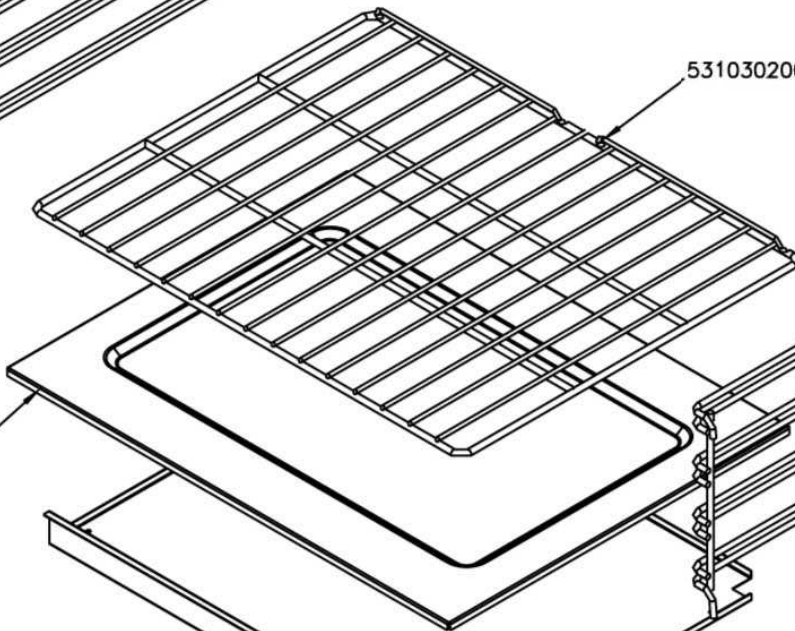
536010801



531030500

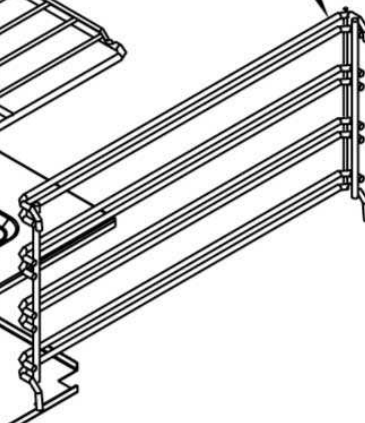


531030200

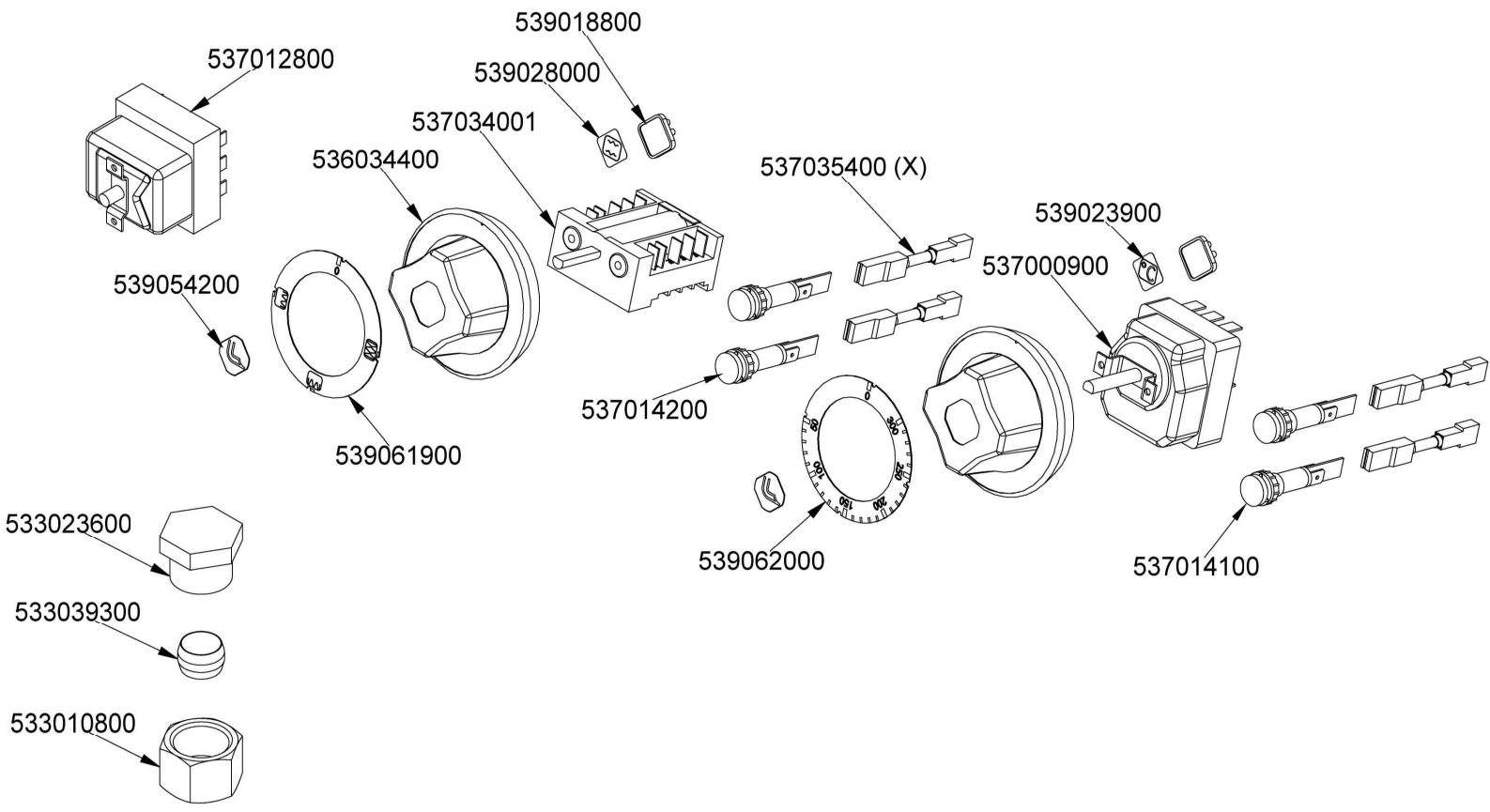


531030400

544198900

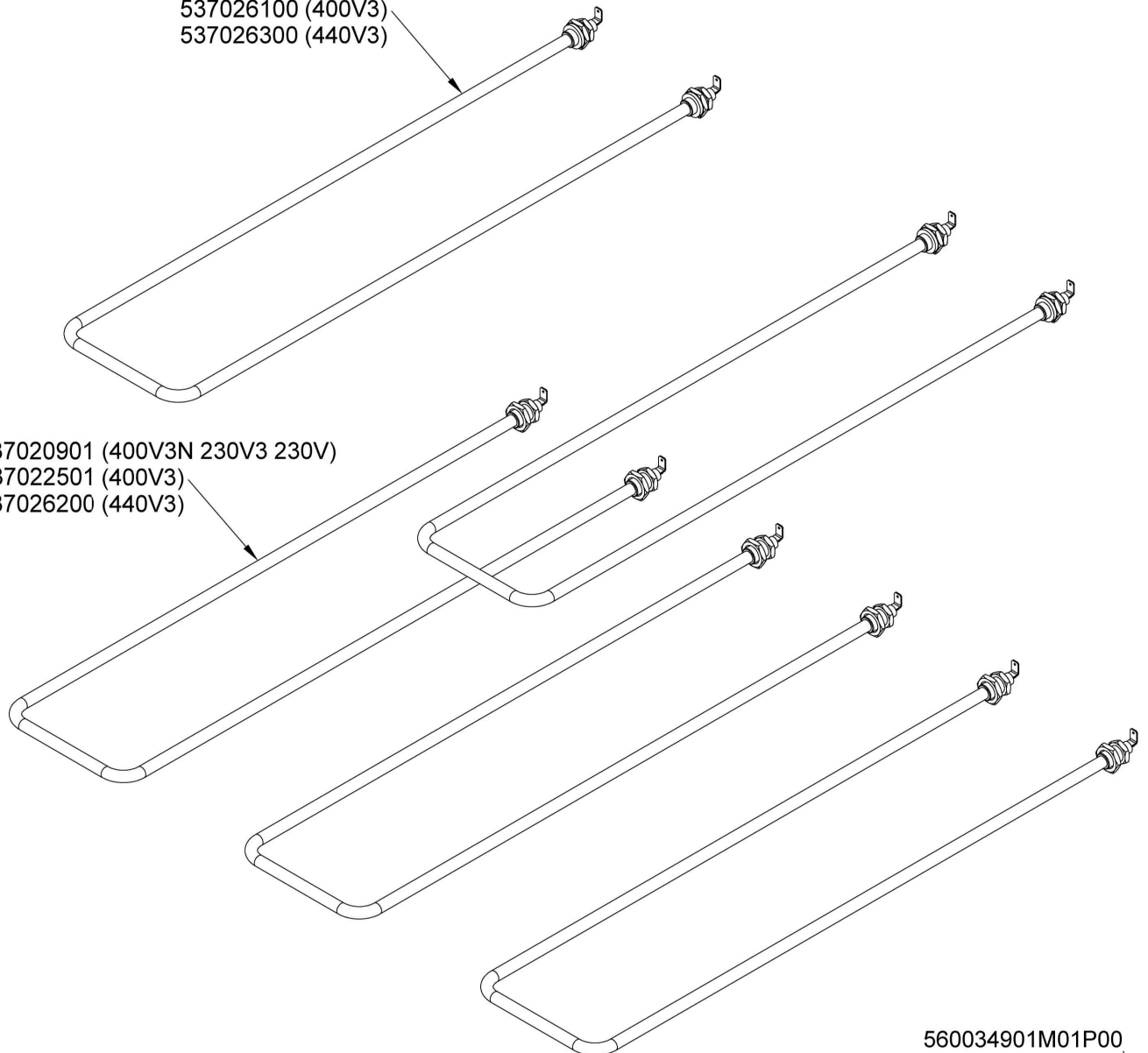


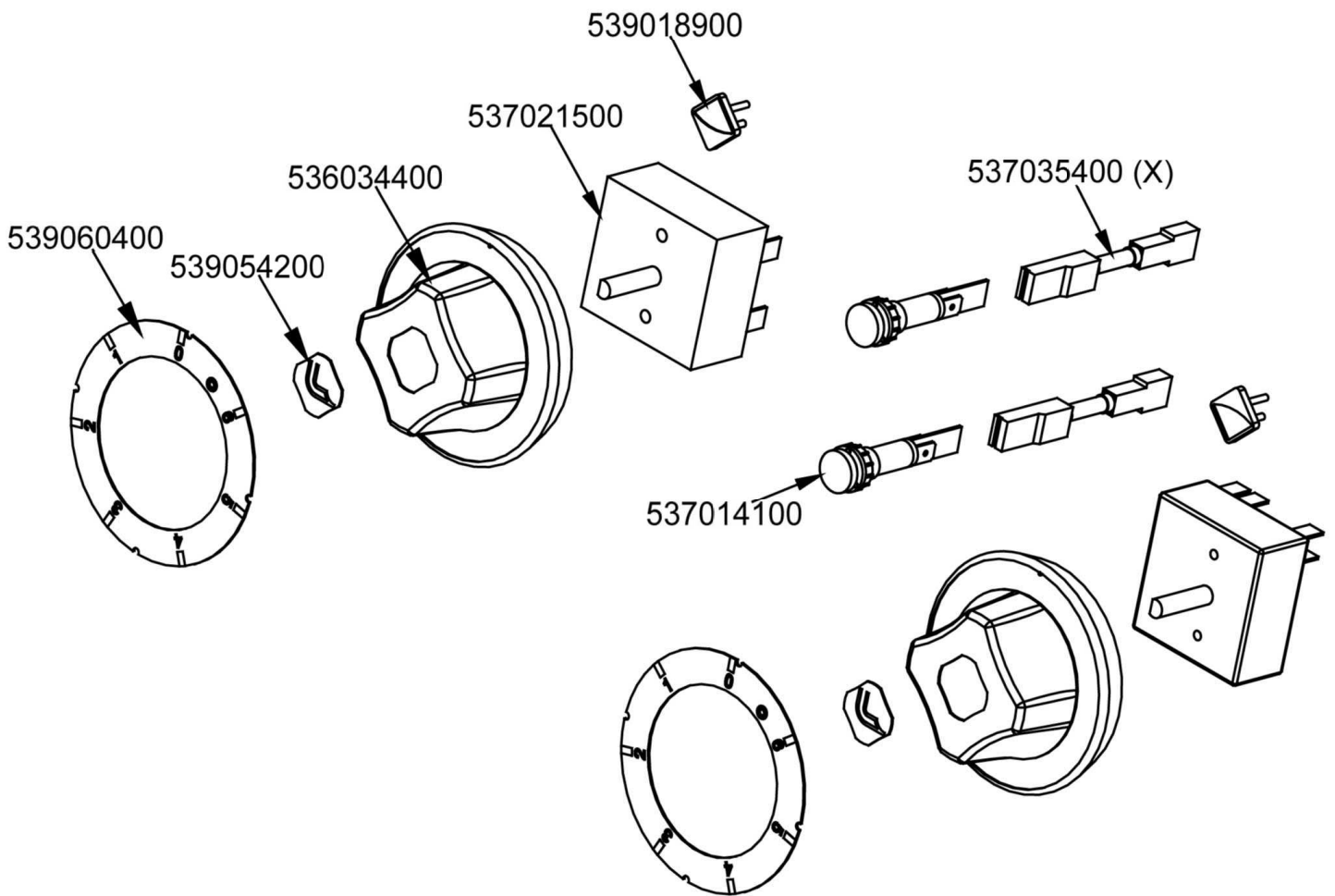
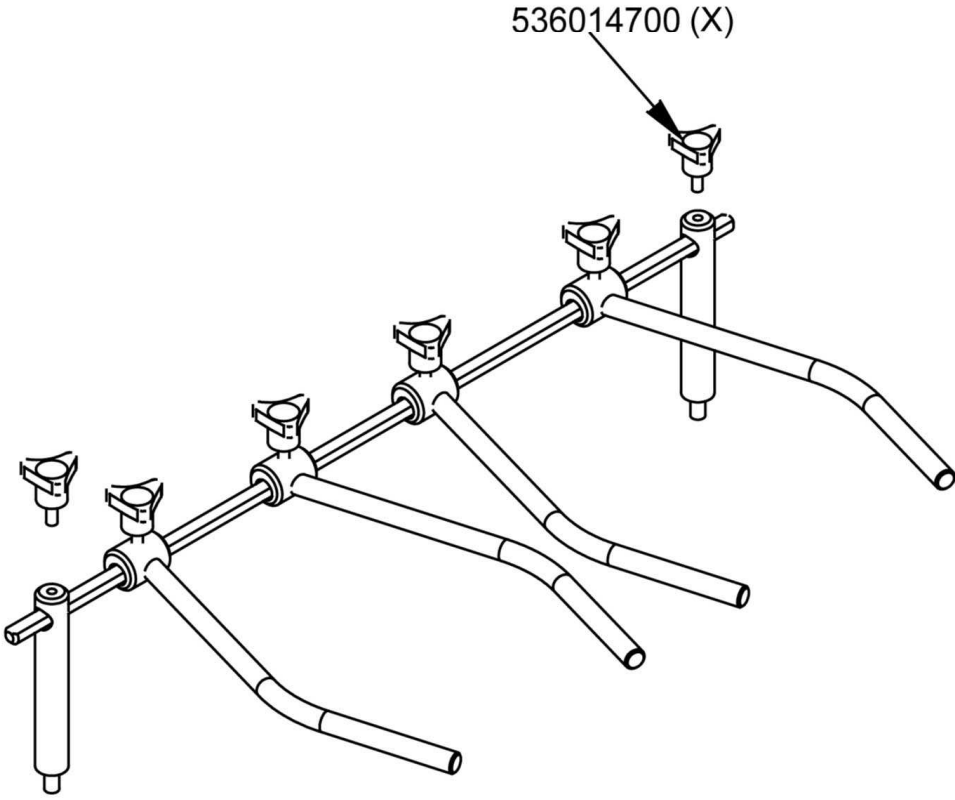
560012500M01P00



537025400 (400V3N 230V3 230V)
 537026100 (400V3)
 537026300 (440V3)

537020901 (400V3N 230V3 230V)
 537022501 (400V3)
 537026200 (440V3)





Page	Pos	Code	Description
001		532004100	FLUE GRID L=370 90LINE (RAF
001		541134400	LOW SPACER 78 1 GRID
001		541110900	GLAS UPPER PLATE PCC-78E
001		537019400	RADIATION HEATER Ø250 230V
001		537040700	RADIATION HEATER Ø250 400V
001		537020001	REMAINING HEAT 4 PILOT LIGHTS UNIT
001		537027400	TERMINAL BLOCK THREEPHASE 40A
001		544173300	LEFT SIDE PANEL RANGE S.70
001		541104501	CONTROL PANEL CF4-78E CFC4-78E C
001		536005200	INOX LEG 2" 120-180 M10
001		544173200	RIGHT SIDE PANEL RANGE S.70
002		544187100	OVEN INNER DOOR GN 2/1 70/90LINE
002		531022800	LEFT OVEN DOOR HINGE S.70
002		531013100	OVEN DOOR HANDLE OF 70/90-LINE
002		544186900	OVEN DOOR GN 2/1 70/90LINES
002		531022700	RIGHT OVEN DOOR HINGE 70LINE
002		531022900	HINGE DOOR WHEEL HOLDER S.70
002		541102300	GAS OVEN INNER DOOR GN 3/1 S.70
002		544187000	OVEN DOOR GN 3/1 S.70
003		533037600	LOCK SPRING FOR BULB
003		536010801	OVEN GASKET GN 2/1 (1308
003		531030500	LHD SUPPORT GRID FOR OVEN OF 70LINE
003		531030200	OVEN GRID GN 2/1 FOR 70 LINE
003		531030400	RHD SUPPORT GRID FOR OVEN OF 70LINE
003		544198900	70 ELECTRICAL OVEN BOTTOM GN2/1
004		539018800	BLANK INDEX FOR KNOB
004		537012800	SAFETY THERMOSTAT 420°C THREEPHASE
004		539028000	SELECTOR SIGN PLATE FOR OVEN
004		537034001	COMMUTATOR 4 POS.3PHASE S.42 16A
004		536034400	KNOB §77 4P. §06*4,6 C/M
004		539023900	SIGN PLATE FOR OVEN TEMPERATURE
004		537000900	THERMOSTAT 063-320°C THREEPHASE
004		539054200	STAMP Ø20,5 CR."L" LOTUS R.
004		537014200	GREEN WARNING LIGHT 250V
004		539061900	ADESIVE DISK FOR SWITCH OVEN S70
004		533023600	TAP PLUG §10 M16*1, 5CH19
004		533039300	BICONE §10
004		533010800	TUBE NUT D.10 M16*1,5
004		539062000	ADESIVE DISK THERMOSTAT OVEN S70
004		537014100	WHITE WARNING LIGHT 250V
004		537025400	OVEN UPPER HEAT.EL.W700 V230 70LINE
004		537026100	70 OVEN UPPER HEATING EL. W700 V400
004		537026300	70 OVEN UPPER HEATING EL.W700 V440
004		537020901	HEATING ELEMENT 1200W 230V OVEN S70
004		537022501	70 OVEN HEATING ELEMENT W1200 V400
004		537026200	70 OVEN LOWER HEATING EL.W1200 V440
005		536014700	3 DRILL WHEELS
005		539018900	INDEX FOR KNOB W/RED SIGN
005		537021500	REGULATOR FOR EL.PLATE 2CIRC.230V
005		536034400	KNOB §77 4P. §06*4,6 C/M
005		537035400	HEATING ELEMENT 00003W 330KOHM W/F

Page	Pos	Code	Description
005		539060400	RED ADESIVE DISK FOR PCC-E
005		539054200	STAMP Ø20,5 CR."L" LOTUS R.
005		537014100	WHITE WARNING LIGHT 250V