

Service manual

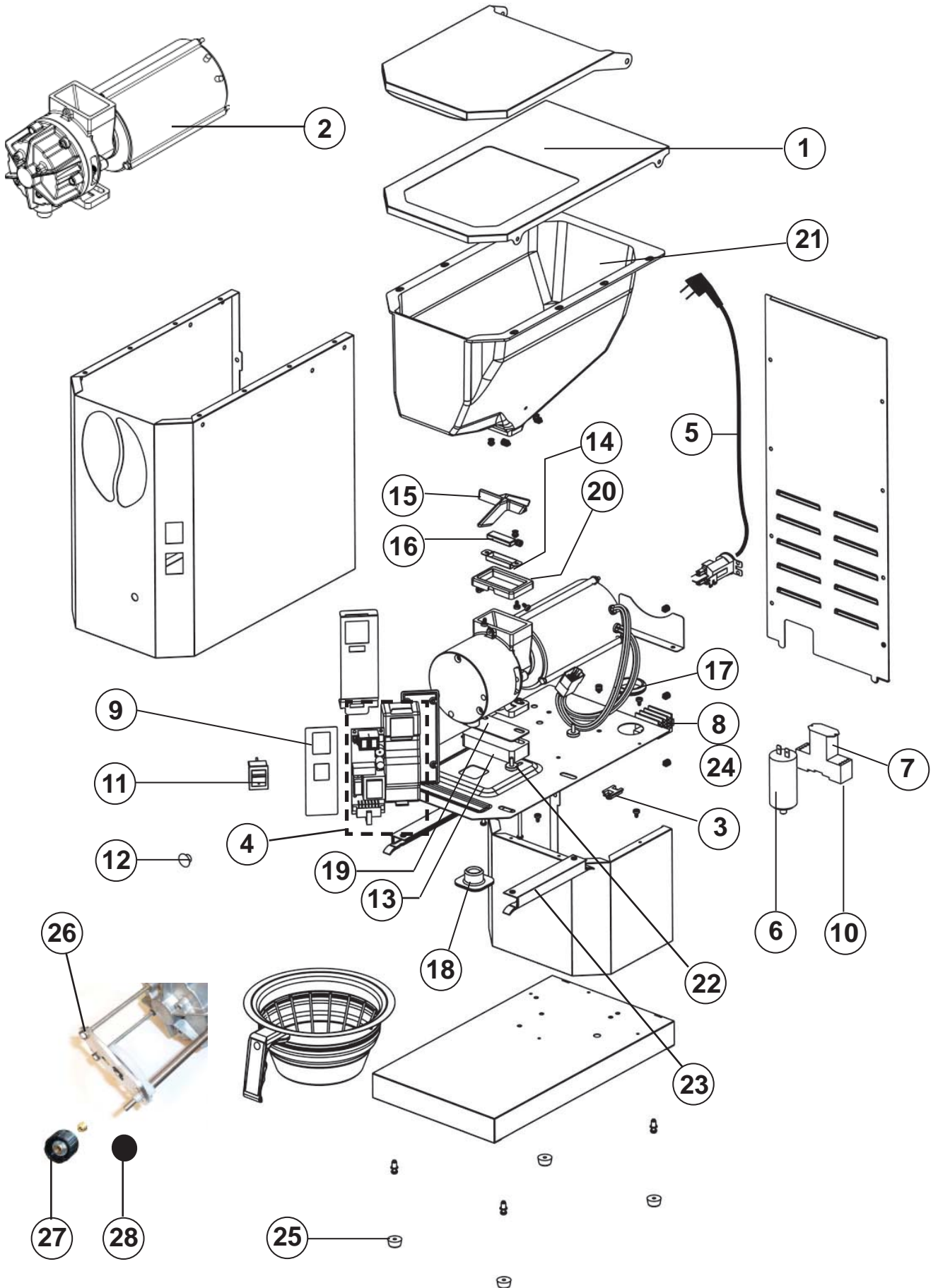


ORIGINAL GRINDER

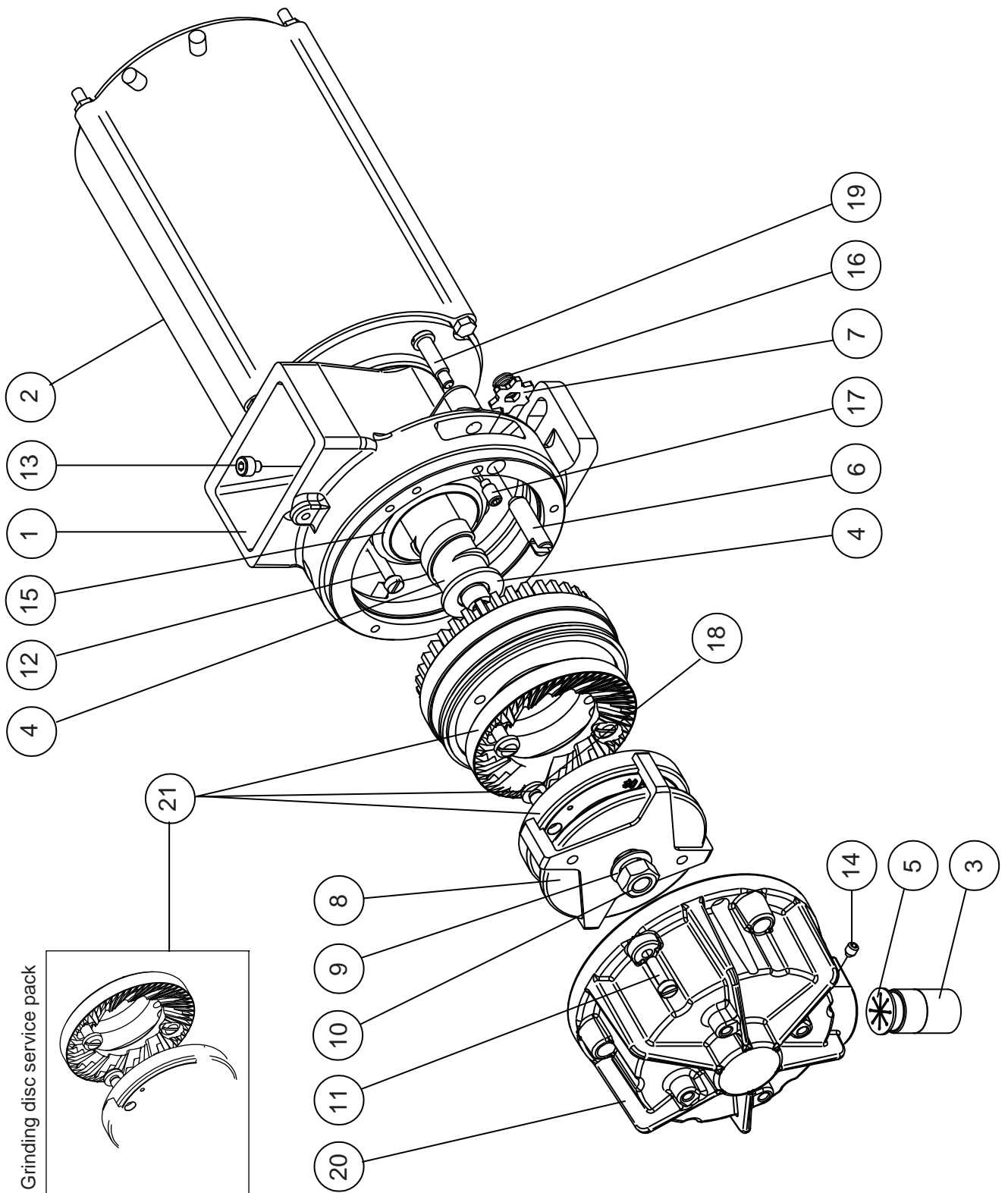
Your local Dealer

.....
.....

S / EN
Rev. 120323



Description:	Article number.	Pos.no.	Amount/unit
Chassie	300039	1	1
Grinder	1604752	2	1
Socket to V7 Relay Grinder	160247	3	1
Electronic card PCB	1031647	4	1
Power Cable Fixed	160522	5	1
Capacitance	832392	6	1
Relay Grinder 230V	160245	7	1
Connector PA80	160351	8	1
Membrane switch	1603854	9	1
Socket to Relay 230V	160246	10	1
Rocket switch	1608017	11	1
Rubber Plug,10mm(Black)	1505076	12	1
Nylon Base	1264009	13	1
Metal Plate for Finger Protection 2333	1364002	14	1
Finger Protection	1364001	15	1
Magnetic Vitality	1608281	16	1
Rubber trp 40 TRP	1204651	17	1
Outlet Tube Sealing Silicon	1561003	18	1
Base Silicon Grinder Silicon	1561002	19	1
Sealing Rubber Silicon	1561004	20	1
Bean Hopper 2.2-2.5kg Acrylic	1105517	21	1
Nylon Bushing	1561005	22	1
Nylon Slide Guide Nylon	1264013	23	1
Gable for connector	160352	24	1
Feet	1203202	25	4
Adjusting Kit	710553	26	1
Knob 20 mm	1608131	27	1
Cap for knob	1608132	28	1



Description:	Article number.	Pos.no.	Amount/unit
Bean inlet housing CPL. EK21	83230939	1	
Motor 200-230V/50/60Hz	83230921	2	
Coffee outlet spout	83243642	3	
Conveying screw EK21	83230928	4	
Silicone flapper for grinder	83243641	5	
Adjustment shaft	83243677	6	
Adjustment pinion	83307991	7	
Grinding disc carrier	83230926	8	
Washer, 10x16x1	83251601	9	
Hexagon nut left-hand thread M8L A2	83251043	10	
Slotted head screw, M4x14	83250408	11	
Cylinder screw, M4x50	83250822	12	
Allen screw, M4x4	83250823	13	
Allen set screw, DIN916-M4x5	83250743	14	
O-Ring 35x4	83255509	15	
Pressure spring	83243678	16	
Allen set screw, DIN916-M5x10	83250742	17	
Pan head screw	83250614	18	
Slotted pan head screw, M4x16	83250821	19	
Grinder housing	83100914	20	
Grinding disc set EK21 (service pack)	83306715	21	