

DISHWASHER

ELECTROMECHANICAL SWITCHES
LOWER WASHING
LOWER AND UPPER WASHING

TYPE: AQU37

Accessories
DVGW
COLD RINSE
WATER SOFTNER
DETERGENT DISPENSER
DRAIN PUMP

Spare parts manual



Parti di ricambio Spare Parts Catalogues pièces

INFORMAZIONI GENERALI

Questo catalogo serve per richiedere con esattezza le parti di ricambio

Nelle ordinazioni indicare:

1) il numero dei codici dei particolari seguito dalla descrizione e la quantità desiderata;

2) Il codice alfa-numeric presente nella seconda colonna della tabella ;

I disegni delle parti di ricambio sono solo indicativi e non rappresentano il pezzo in oggetto.

I dati contenuti in questo catalogo sono indicativi e possono essere soggetti a modifiche senza impegno di preavviso.

ALLGEMEINE INFORMATIONEN

Dieser Ersatzteilkatalog dient zur genauen Angabe der Teile bei Ersatzteilbestellungen.

Bei Ersatzbestellung ist folgendes anzugeben:

1) Die Bestellnummer der Ersatzteile mit der entsprechenden Beschreibung genaue Menge;

2) Der alpha-numerischer Code auf der zweiten Reihe in dein Spalte;

Die Zeichnungen der Ersatzteile sind nur als Hinweise gedacht und stellen nicht das betroffene Teil dar.

Bei den im Katalog angeführten Daten handelt es sich um Anhaltsdaten, die jederzeit, ohne Vorankündigung, geändert werden können.

GENERAL INFORMATION

The present spare parts order exactly the right spare parts

When ordering specify:

1) the part's code number followed by its description and quantity needed;

2) The alpha-numeric code is in the second column in the chart;

Spare parts drawings are general and do not represent the part.

The contents of this catalogue are general and can undergo changes without prior notice.

INFORMACIONES GENERALES

El presente catálogo sirve para pedir con exactitud las partes de repuesto

En los pedidos se debe indicar:

1) el número de código de la parte y a continuación la descripción cantidad deseada;

2) El código alfanumérico presente en la signada columna de la tabla;

Los diseños de las partes de recambio son solo indicativos y no representan la pieza en cuestión.

Los datos contenidos en el presente catálogo son indicativos y pueden modificarse sin aviso previo.

INFORMATIONS GENERALES

Ce catalogue permet de commander correctement les pièces détachées

Les commandes doivent être passées en indiquant:

1) le numero de code des pièces détachés suivi de leur description quantité désirée;

2) le code alphanumérique dans la deuxième colonne du tableau;

Les plans des pièces détachées sont fournis seulement à titre indicatif et ne représentent pas la pièce concernée.

Les données de ce catalogue sont citées seulement à titre indicatif et peuvent être l'objet de modifications sans avis préalable.

ESEMPIO EXAMPLE EXEMPLE BEISPIEL

Rif.	Codici
MODULE:Particolari	
10505	540903
10510	540908
10515	15065/A
10520	540086
10525	540028



Note

Tutte le informazioni riportate si intendono aggiornate alla data di stampa. Il Produttore si riserva il diritto di apportare qualsiasi modifica richiesta dallo sviluppo evolutivo dei suddetti prodotti.

Per la sicurezza, la garanzia, l'affidabilità ed il valore della lavastoviglie usa solo ricambi originali.



Attenzione

Questo libretto è parte integrante della lavastoviglie e, in caso di passaggio di proprietà, deve essere consegnato al nuovo acquirente.



Remarque

Toutes les informations contenues dans ce manuel s'entendent mises à jour à la date d'impression. En raison du développement constant de ses produits, usine se réserve le droit d'apporter à tout instant les modifications qu'elle jugera utiles.

Pour la sécurité, la garantie, la fiabilité et la valeur de votre lave-vaisselles n'utilisez que des pièces de rechange d'origine.



Attention

Ce manuel doit être considéré comme partie intégrante de la lave-vaisselles, en cas de transfert de propriété, doit toujours être remis au nouveau propriétaire.



Note

The information contained herein is valid at the time of going to print. The Company reserves the right to make any changes required by the future development of the above-mentioned products.

For your safety, as well as to preserve the warranty reliability and worth of your dishwashers, use original spare parts only.



Warning

This manual forms an integral part of the dishwashers and - if a transfer of title occurs - must always be handed over to the new owner.



Hinweis

Die Der Hersteller behält sich das Recht vor, jegliche, durch eine Weiterentwicklung der genannten Produkte bedingte Änderungen vornehmen zu können.

Verwenden Sie für Ihre Sicherheit, die Garantie, die Zuverlässigkeit und den Wert Ihrer machine originale Ersatzteile.



Achtung

Diese Betriebsanleitung ist Bestandteil des machine und muss bei seinem Weiterverkauf dem neuen Besitzer ausgehändigt werden.

1. Spare parts

General body parts.....	7
Lockup system	9
Control panel and switches.....	11
Electric control components.....	13
Solenoid valve group	15
Solenoid valve group	17
DVGW	19
Water softner group.....	21
Rinse aid dispenser group.....	23
Rinse aid dispenser group.....	25
Boiler group	27
3 ways connection	29
4 ways connection	31
Wash pump	33
Wash pump	35
Dosing detergent group.....	37

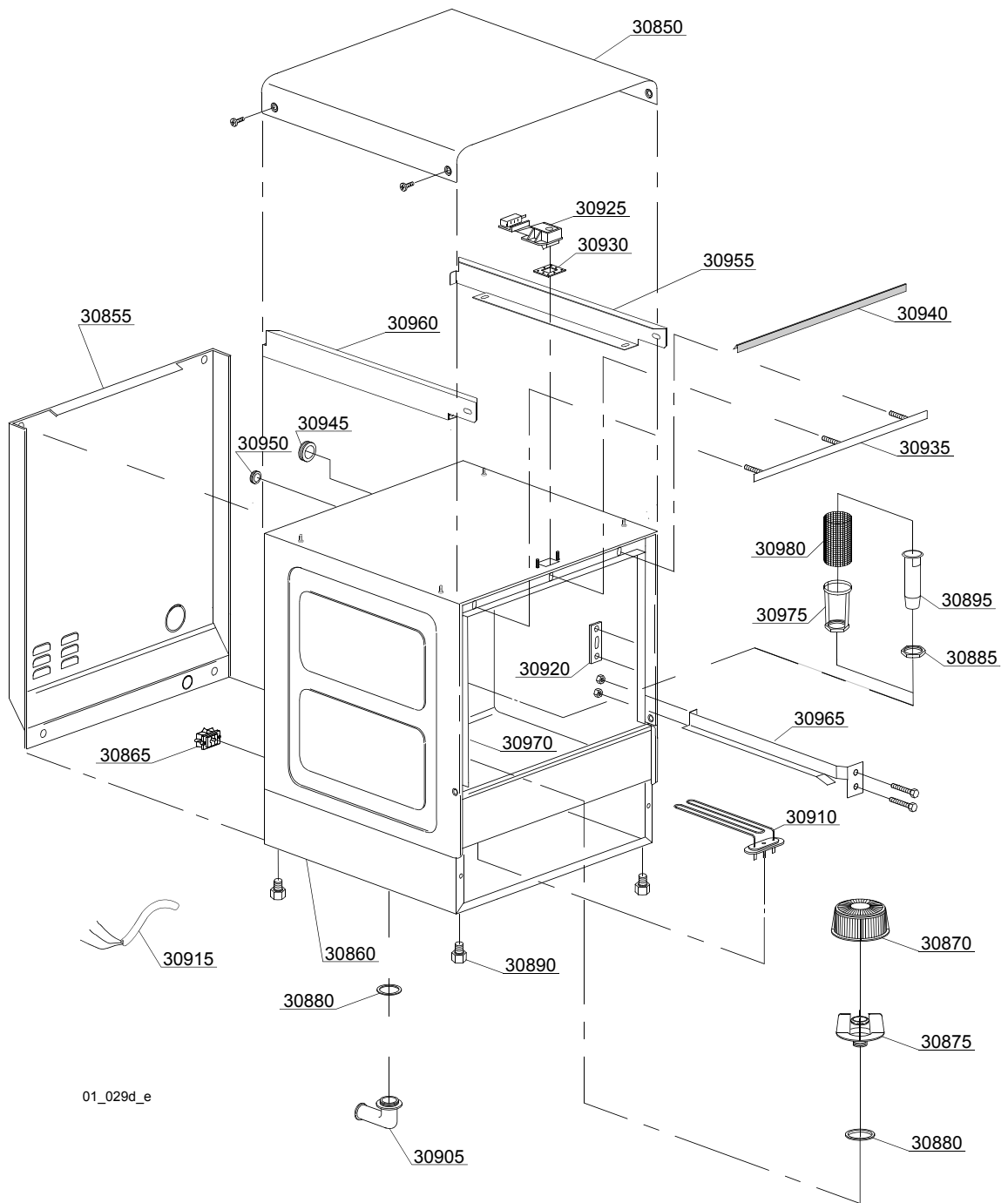
Drain pump group.....	39
Pressure switch group with air trap ...	41
Turret group with rotating arms	43
Turret group with rotating arms	45
Turret group with rotating arms	47

1.1 Voltage codes

Voltage code	Voltage
A	3/N/PE~400/230V 50Hz
B	~250V 16A 50Hz
C	3/N/PE~380/220V 50Hz
D	3/PE~200V 50-60Hz
F	2/PE 220-240V 50Hz
G	3/N/PE~415/240V 50Hz
H	3/PE~230V 50Hz
I	3/PE~220V 60Hz
J	3/PE~380 50Hz
K	3/PE~400V 50Hz
L	3/PE~415V 50Hz
M	3/PE~440V 60Hz
N	3/PE~460V 60Hz
O	3/PE~480V 60Hz
P	1/N/PE~220-240V 50Hz
R	2/PE~220-230V 60Hz
S	3/N/PE~400/230V 50Hz
T	3/PE~230V 60Hz

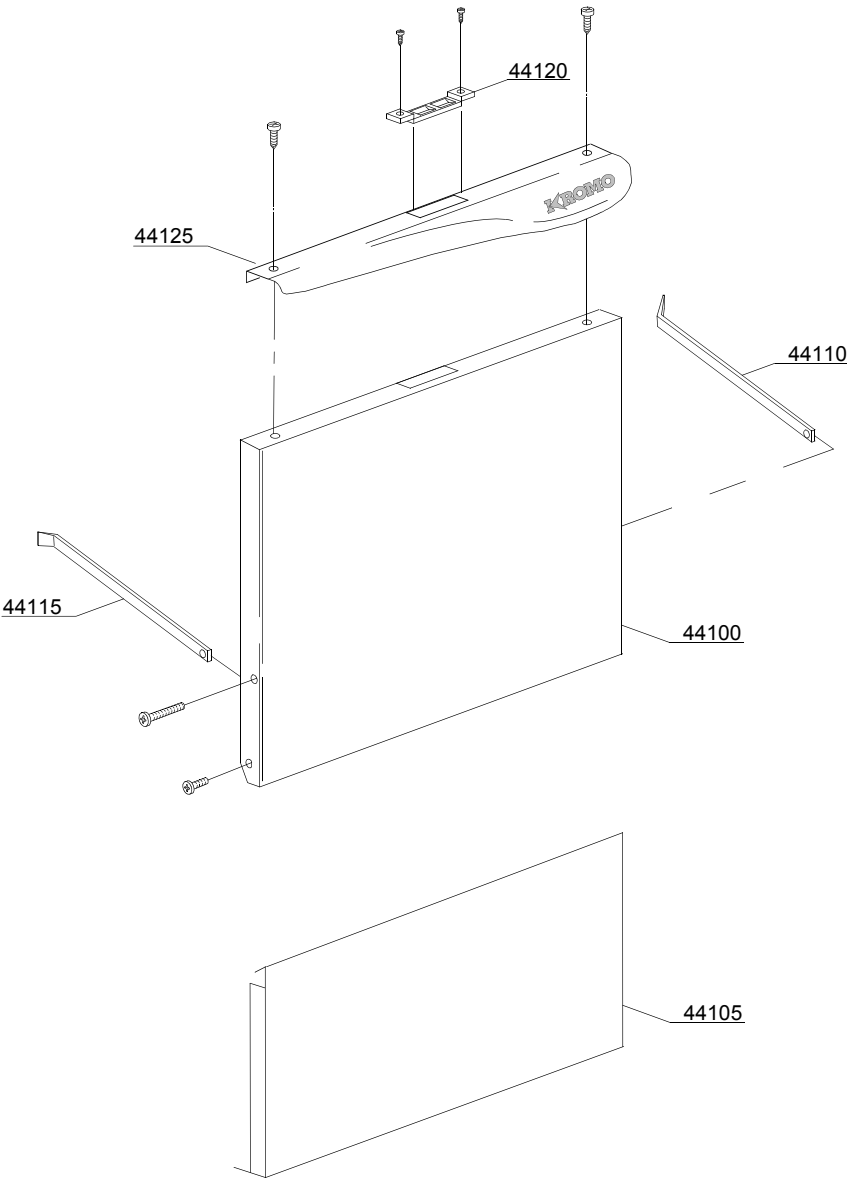
1.2 Product codes

Product code	Full name
Model codes	
em	ELECTROMECHANICAL SWITCHES
cf	LOWER WASHING
ls	LOWER AND UPPER WASHING
Type codes	
AQU37	AQU37
Accessory codes	
dvgw	DVGW
fs	COLD RINSE
d	WATER SOFTNER
dde	DETERGENT DISPENSER
ps	DRAIN PUMP



Spare parts

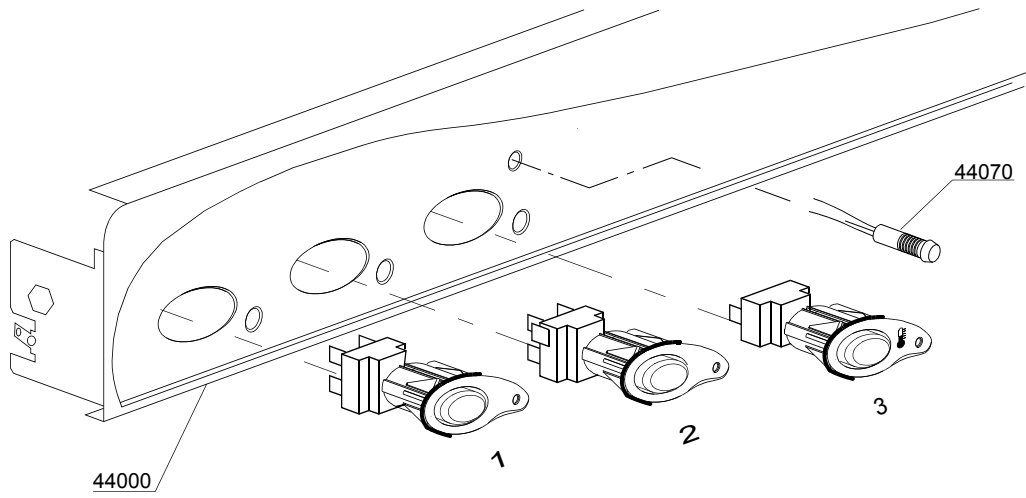
ID	P-code	Model	Type	Accessory	Voltage	Description
MODULE:General body parts						
30850	260036		AQU37			Cover
30855	260015		AQU37			Back panel
30860	260001		AQU37			Body
30860	260000		AQU37			Body
30865	15065/A		AQU37			Cable-fastener with screw
30870	540002		AQU37			Filter for top body
30875	540000/A		AQU37			Top filter body
30880	13305		AQU37			44x32x3 O-ring
30885	11701/A		AQU37			Stainless steel nut
30890	10850		AQU37			M10x25 Ø40 black foot
30895	135252		AQU37			Overflow pipe
30905	10701		AQU37			Drain elbow
30910	16035/A		AQU37			1,85/2,02KW 230/240V heating element
30915	10713		AQU37			3x2,5x2500 cable
30920	150401		AQU37			Door rod slide
30925	150402		AQU37			Door jack assembly
30935	375908		AQU37			Door O-ring angular
30940	135206		AQU37			Door O-ring
30945	13317		AQU37			Ø40mm lead through rubber
30950	13323		AQU37			Ø13mm lead through rubber
30955	260035		AQU37			Right cover back support
30960	260034		AQU37			Left cover back support
30965	260002		AQU37			Right/left internal slide
30970	260003		AQU37			Right/left internal slide
30975	11701/B		AQU37			Stainless steel nut
30980	440751		AQU37			Drain pump stainless steel filter



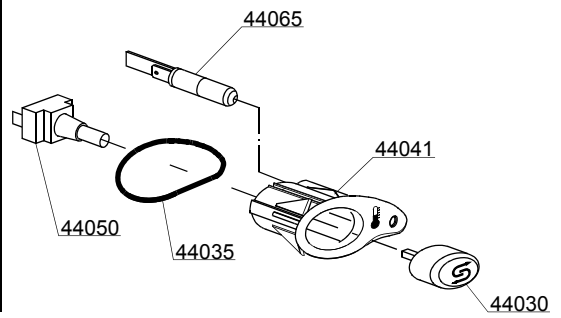
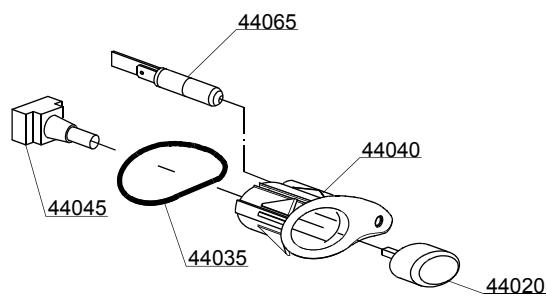
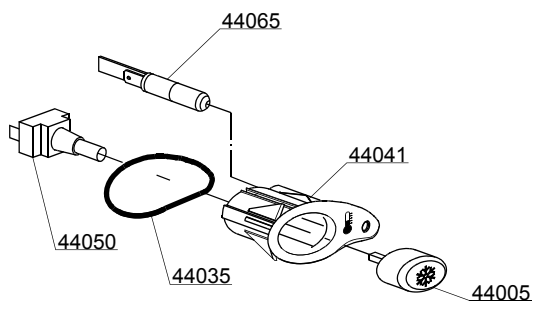
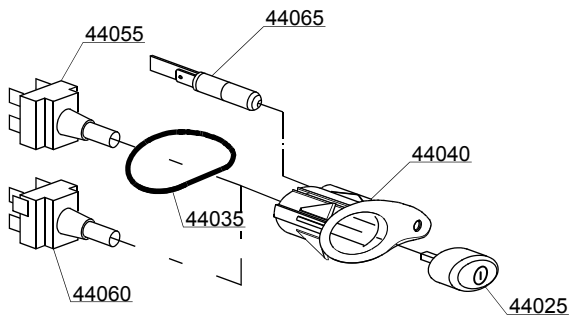
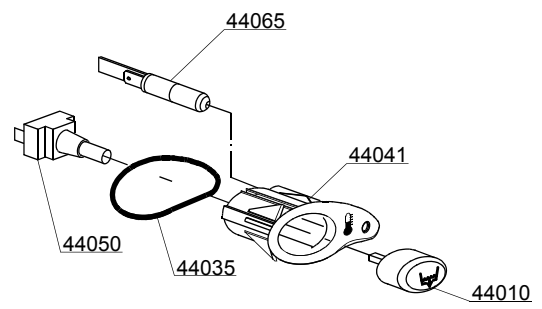
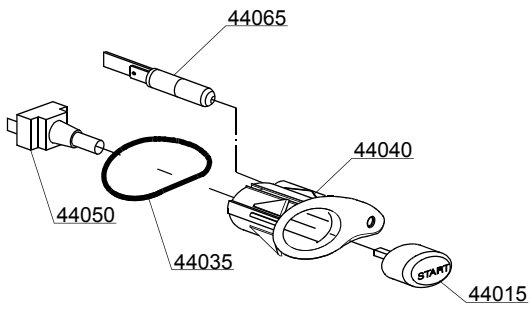
02_127_e

Spare parts

ID	P-code	Model	Type	Accessory	Voltage	Description
MODULE:Lockup system						
44100	260005		AQU37			Door
44105	250016		AQU37			Lower door
44110	250006		AQU37			Right door rod
44115	250007		AQU37			Left door rod
44120	150402/D		AQU37			Door jack
44125	260012		AQU37			Stainless steel handle

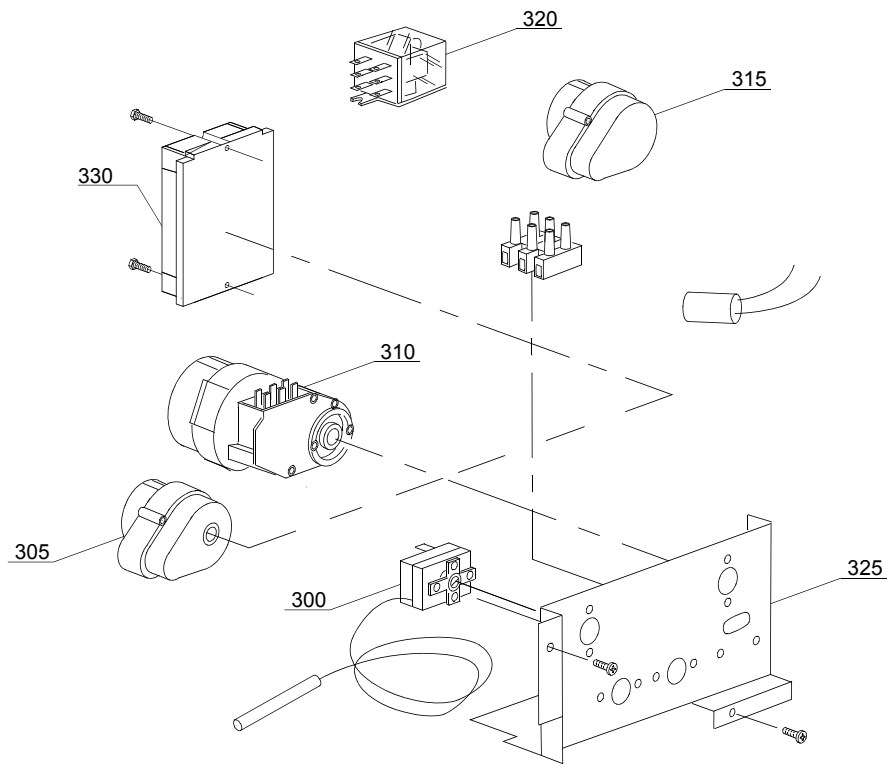


03_047_e



Spare parts

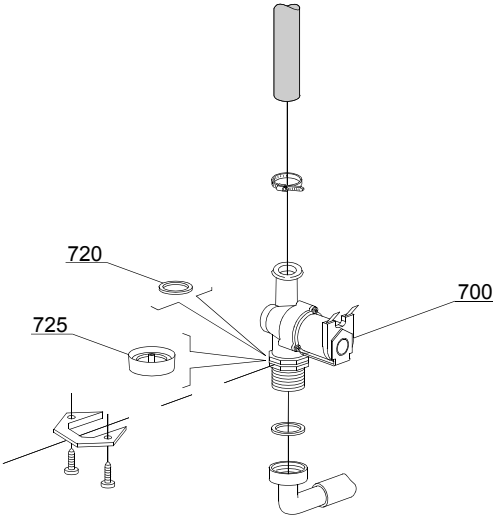
ID	P-code	Model	Type	Accessory	Voltage	Description
MODULE:Control panel and switches						
44000	260032		AQU37	ws		Regeneration control panel AQUA 37
44000	260032		AQU37			Control panel AQUA 37
44005	89344		AQU37	cr		Touche chaud/froid
44010	89343		AQU37	dp		Drain pump push button (OPTIONAL)
44015	89341		AQU37			START push button
44020	89348		AQU37			Blind push button
44025	89340		AQU37			ON-OFF push button
44030	89345		AQU37	ws		Regeneration push button (OPTIONAL)
44035	86006		AQU37			OR O-ring
44040	86001		AQU37			Push button support
44041	86002		AQU37			Temperature push button support
44045	15844		AQU37			Push button support
44050	15813		AQU37			16A unipolar switch
44055	15812		AQU37			16A bipolar switch
44055	15800		AQU37			16A switch
44060	15811		AQU37			16A bipolar switch
44060	15811/A		AQU37			16A bipolar switch
44065	15826		AQU37			Pilot light
44070	10711		AQU37	ws		Pilot light



04_007_e

Spare parts

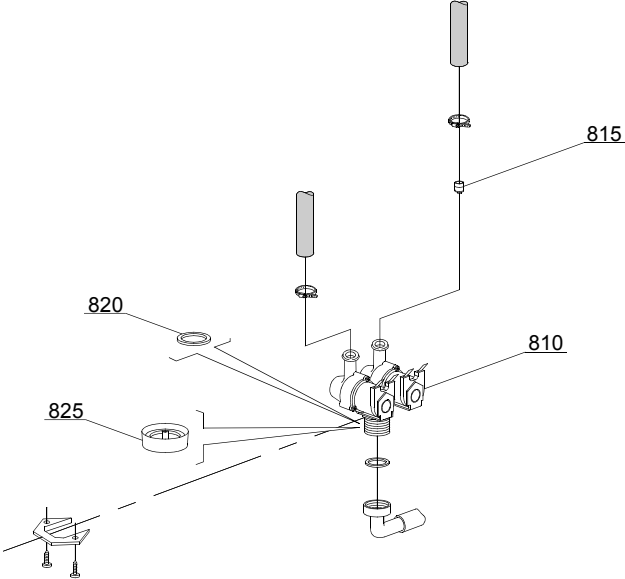
ID	P-code	Model	Type	Accessory	Voltage	Description
MODULE:Electric control components						
300	10707/1		AQU37			0-90°C thermostat
305	10708/L		AQU37			120" timer
315	16064/A		AQU37	ws		Regeneration timer
320	16047		AQU37			Tripolar relay in deviation 16A
320	15620		AQU37	dp		Bipolar relay in deviation
325	260018		AQU37			Electric component panel
330	50553		AQU37			3 times electronic timer with regeneration



05_002_e

Spare parts

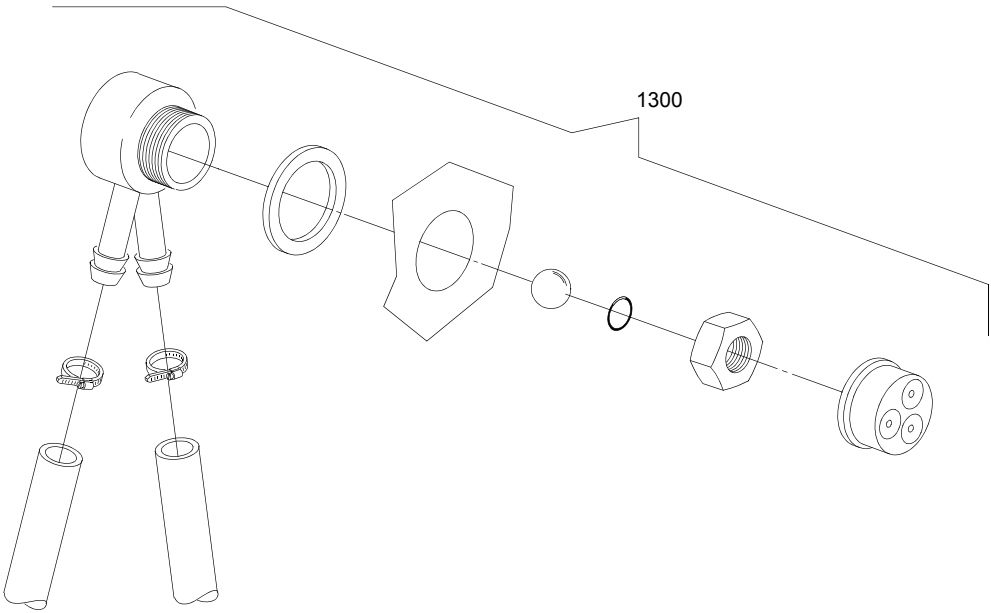
ID	P-code	Model	Type	Accessory	Voltage	Description
MODULE: Solenoid valve group						
700	10703		AQU37			Single solenoid valve
720	N.C.		AQU37			Pression reducing valve



05_003_e

Spare parts

ID	P-code	Model	Type	Accessory	Voltage	Description
MODULE: Solenoid valve group						
810	15098		AQU37	cr,ws		Double solenoid valve - Ø10
815	15115		AQU37	cr,ws		Green pression solenoid valve
820	N.C.		AQU37	cr,ws		Pression reducing valve
825	15315		AQU37	cr,ws		Red pression reducing valve

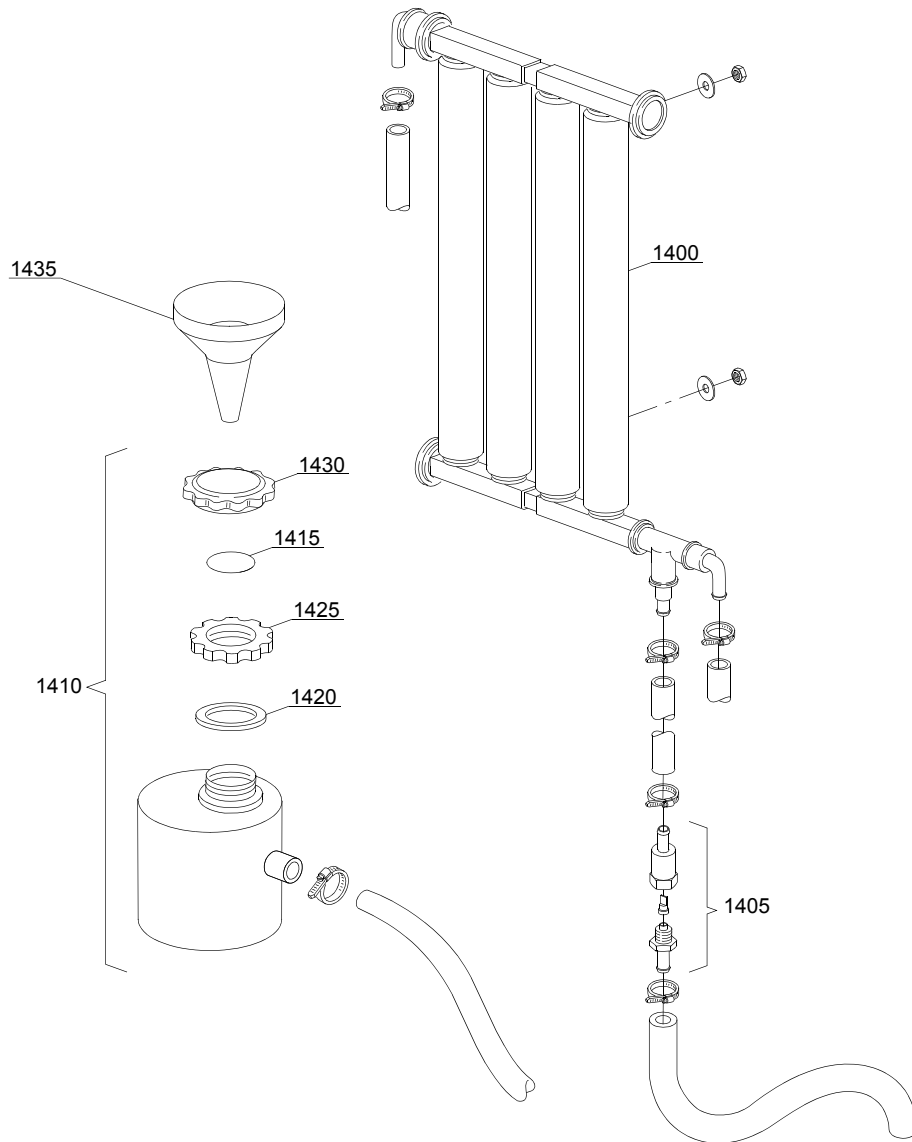


08_005_e

Spare parts

ID	P-code	Model	Type	Accessory	Voltage	Description
MODULE:DVGW						
1300	999900006		AQU37	dvgw		DVGW assembly

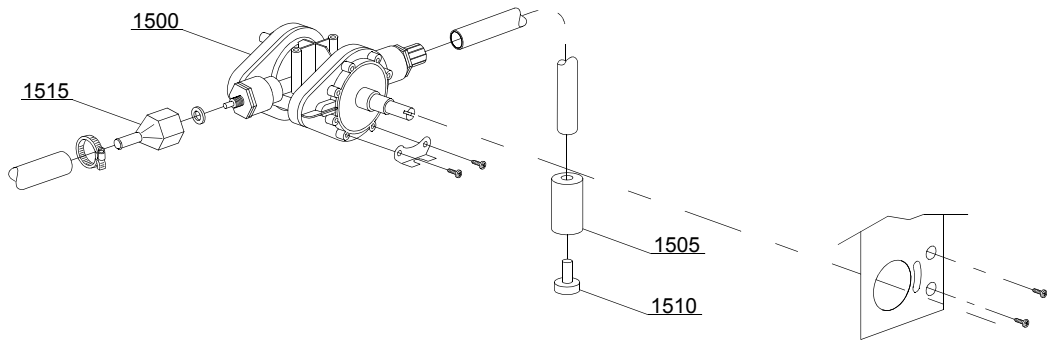
09_001_e



Spare parts

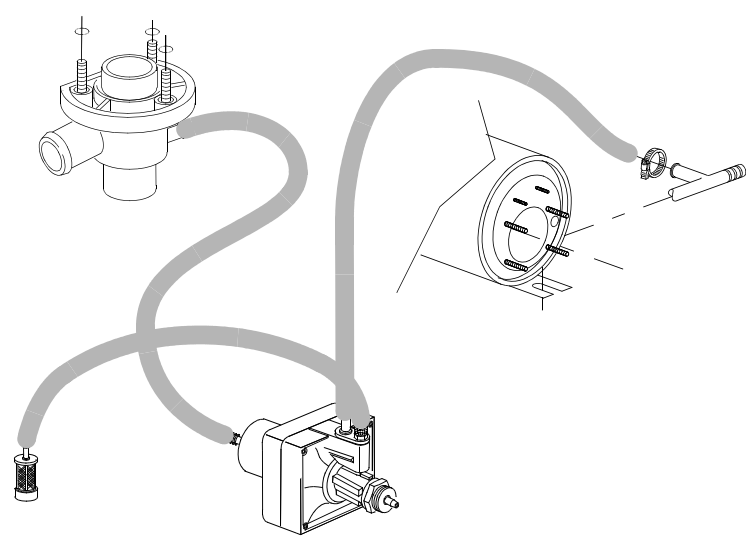
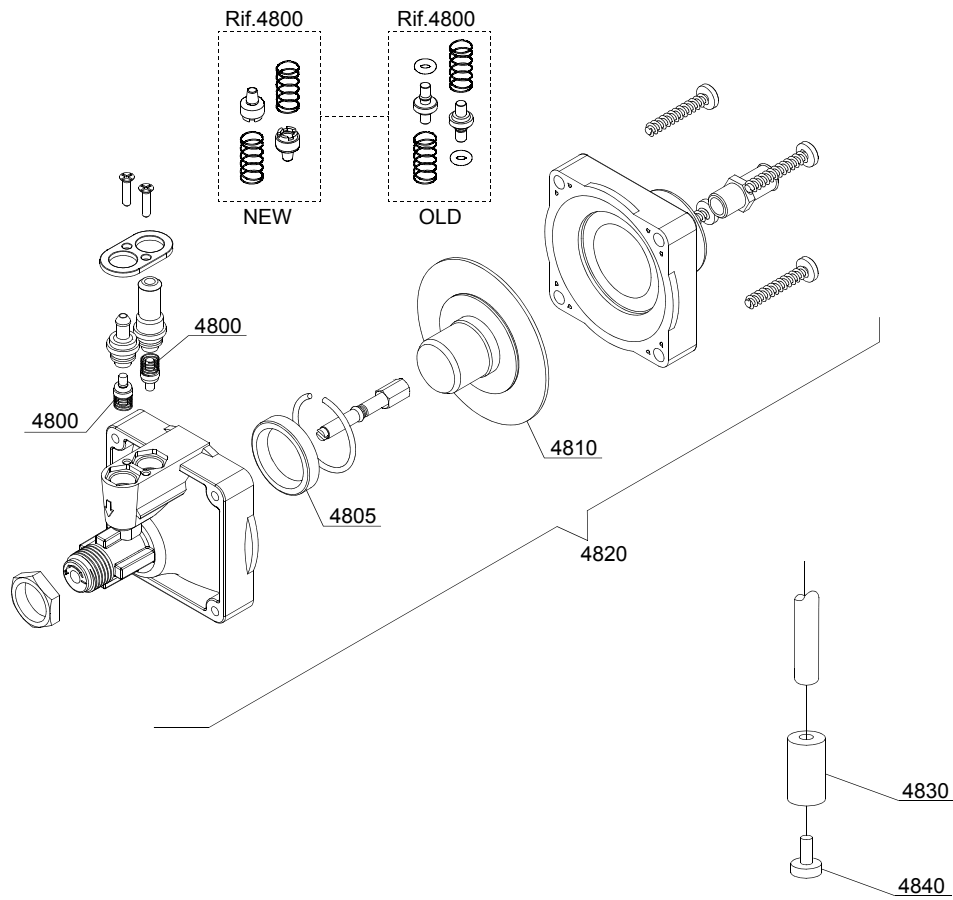
ID	P-code	Model	Type	Accessory	Voltage	Description
MODULE:Water softner group						
1400	16066		AQU37	ws		4 elements water softner
1405	16070		AQU37	ws		Nonreturn valve
1410	16065		AQU37	ws		Salt container
1415	16067/A		AQU37	ws		OR O-ring
1420	16067/B		AQU37	ws		O-ring
1425	16067/C		AQU37	ws		Ring nut
1430	16067/D		AQU37	ws		Plug
1435	16082		AQU37	ws		Funnel

10_002_e



Spare parts

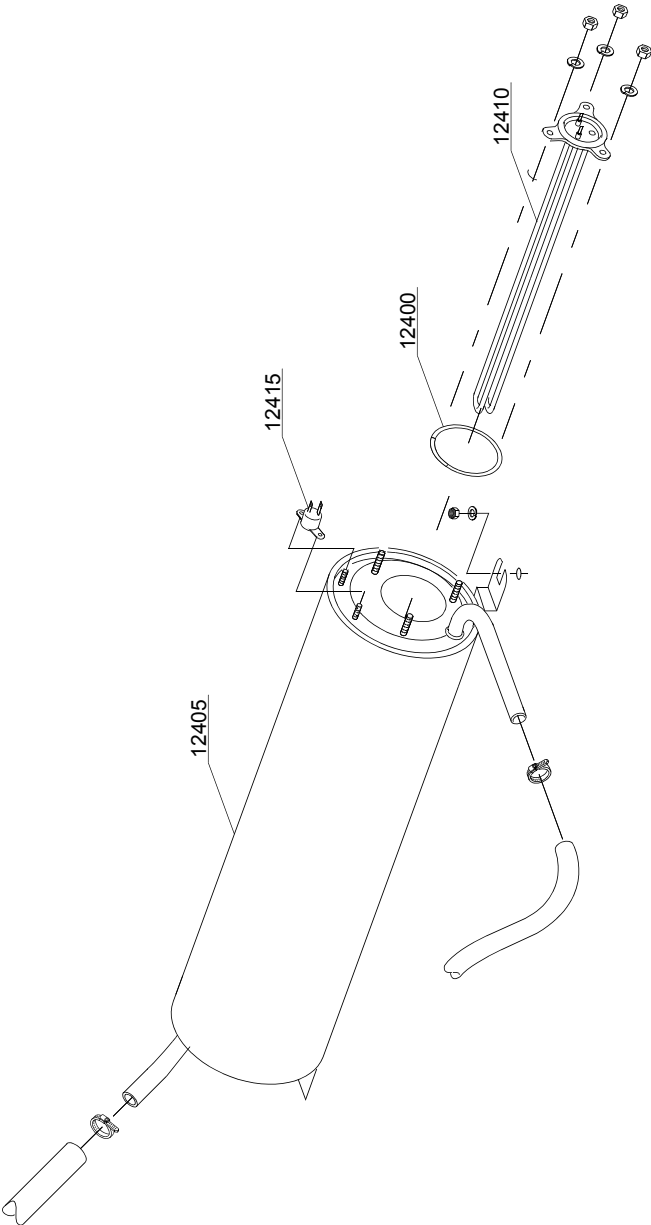
ID	P-code	Model	Type	Accessory	Voltage	Description
MODULE: Rinse aid dispenser group						
1500	10798		AQU37			Rinse aid dispenser
1505	12525		AQU37			Counter-weight
1510	15058		AQU37			Small filter
1515	10798/B		AQU37			Brass pipe fitting



10_004_e

Spare parts

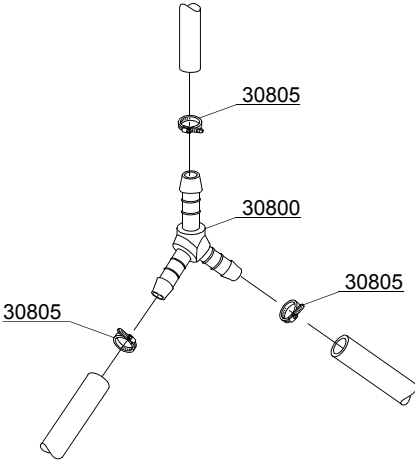
ID	P-code	Model	Type	Accessory	Voltage	Description
MODULE: Rinse aid dispenser group						
4800	10805		AQU37			Tecnopro non return valve
4805	10806		AQU37			Ø22 O-ring
4810	10807		AQU37			Membrane
4820	10799		AQU37			Rinse aid dispenser
4830	12525		AQU37			Counter-weight
4840	15058		AQU37			Small filter



11_007_e

Spare parts

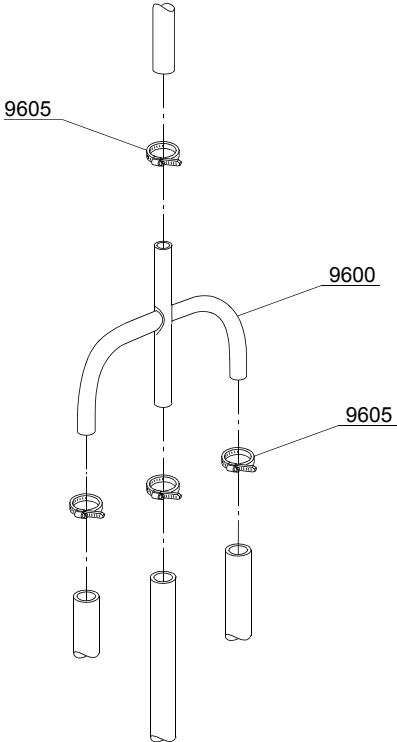
ID	P-code	Model	Type	Accessory	Voltage	Description
MODULE:Boiler group						
12400	13010		AQU37			OR O-ring
12405	135905		AQU37			Boiler
12410	18206		AQU37			2,4/2,61KW 230/240V heating element
12415	15550		AQU37			Safety thermostat



12_003ae

Spare parts

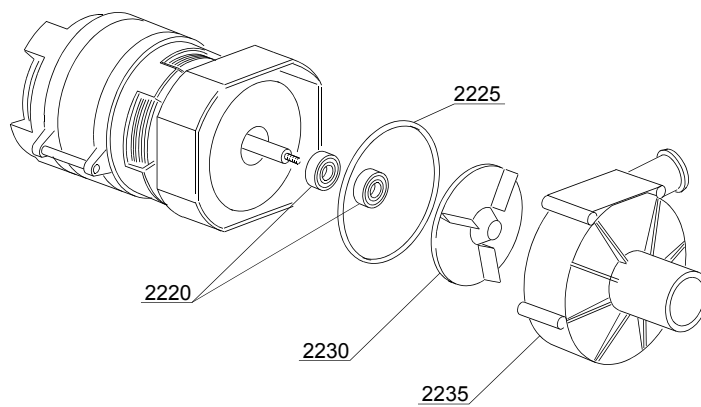
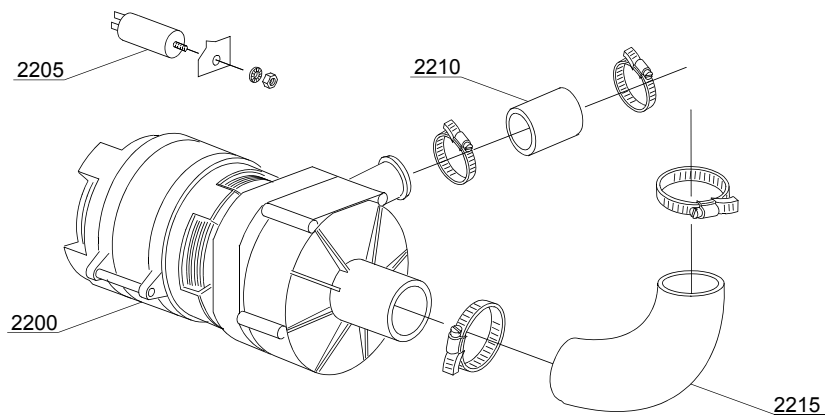
ID	P-code	Model	Type	Accessory	Voltage	Description
MODULE:3 ways connection						
30800	540090		AQU37			Ø10 mm plastic 3 ways connection
30805	11807		AQU37			12/22 clamp



12_004_e

Spare parts

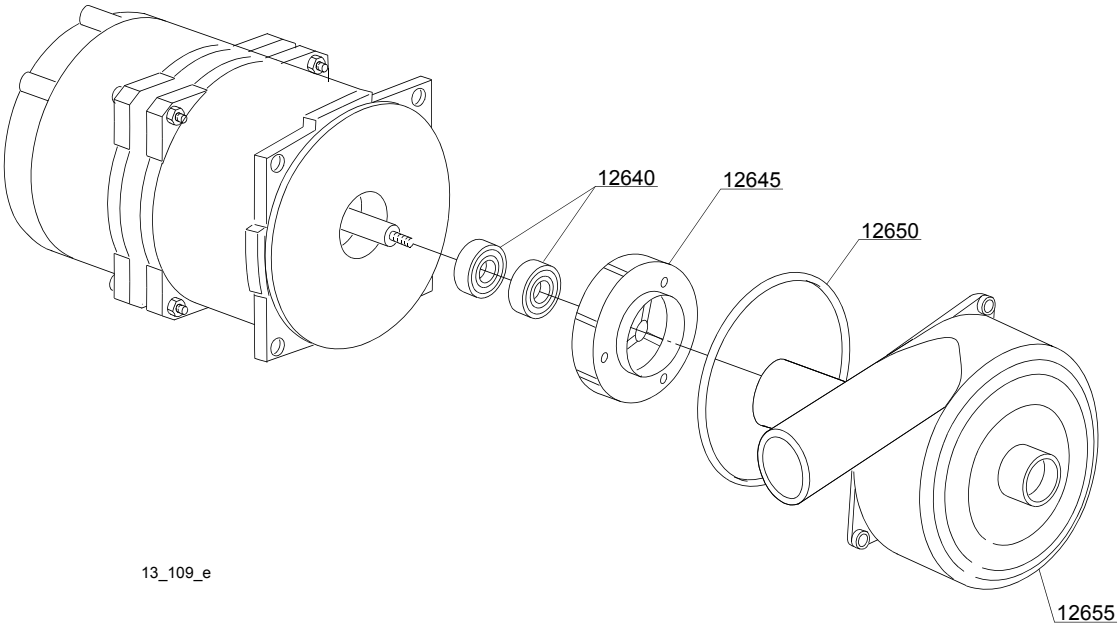
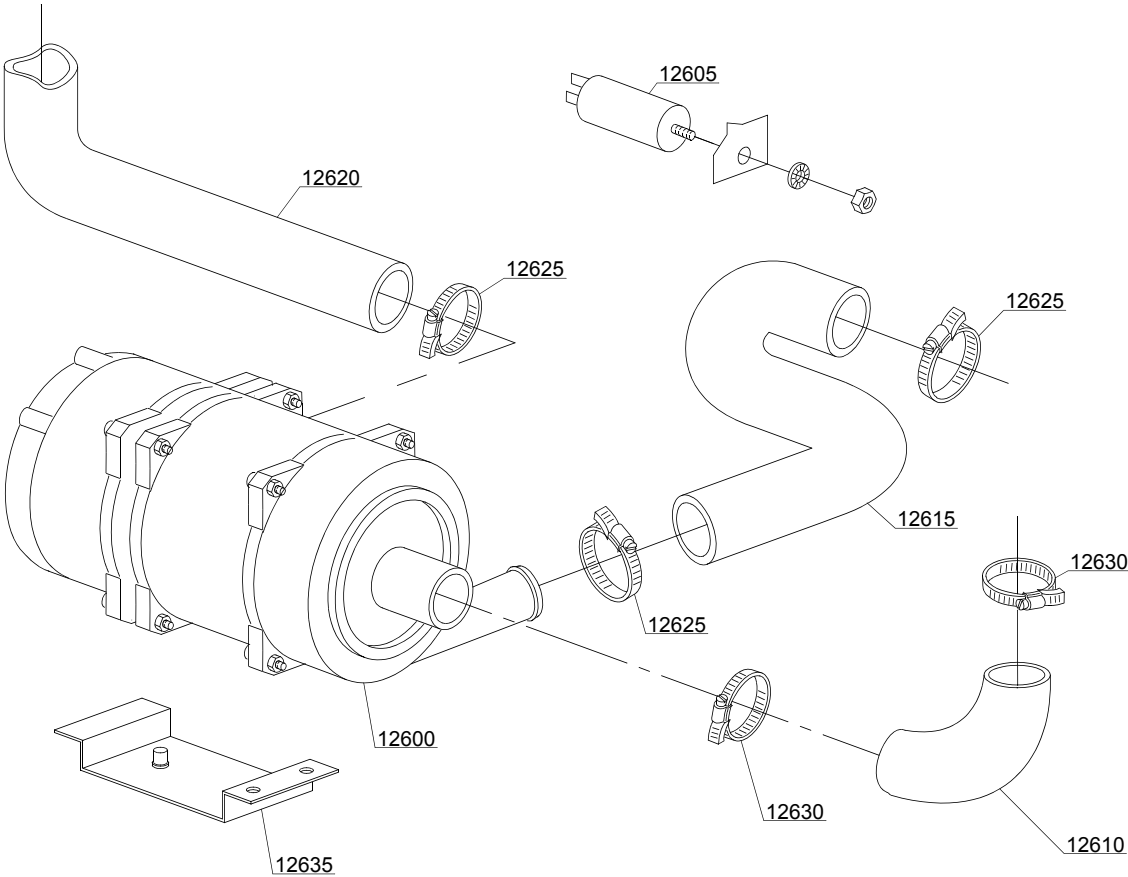
ID	P-code	Model	Type	Accessory	Voltage	Description
MODULE:4 ways connection						
9600	15151		AQU37	cr		Ø10 mm 4 ways connection
9605	11807		AQU37			12/22 clamp



13_002_e

Spare parts

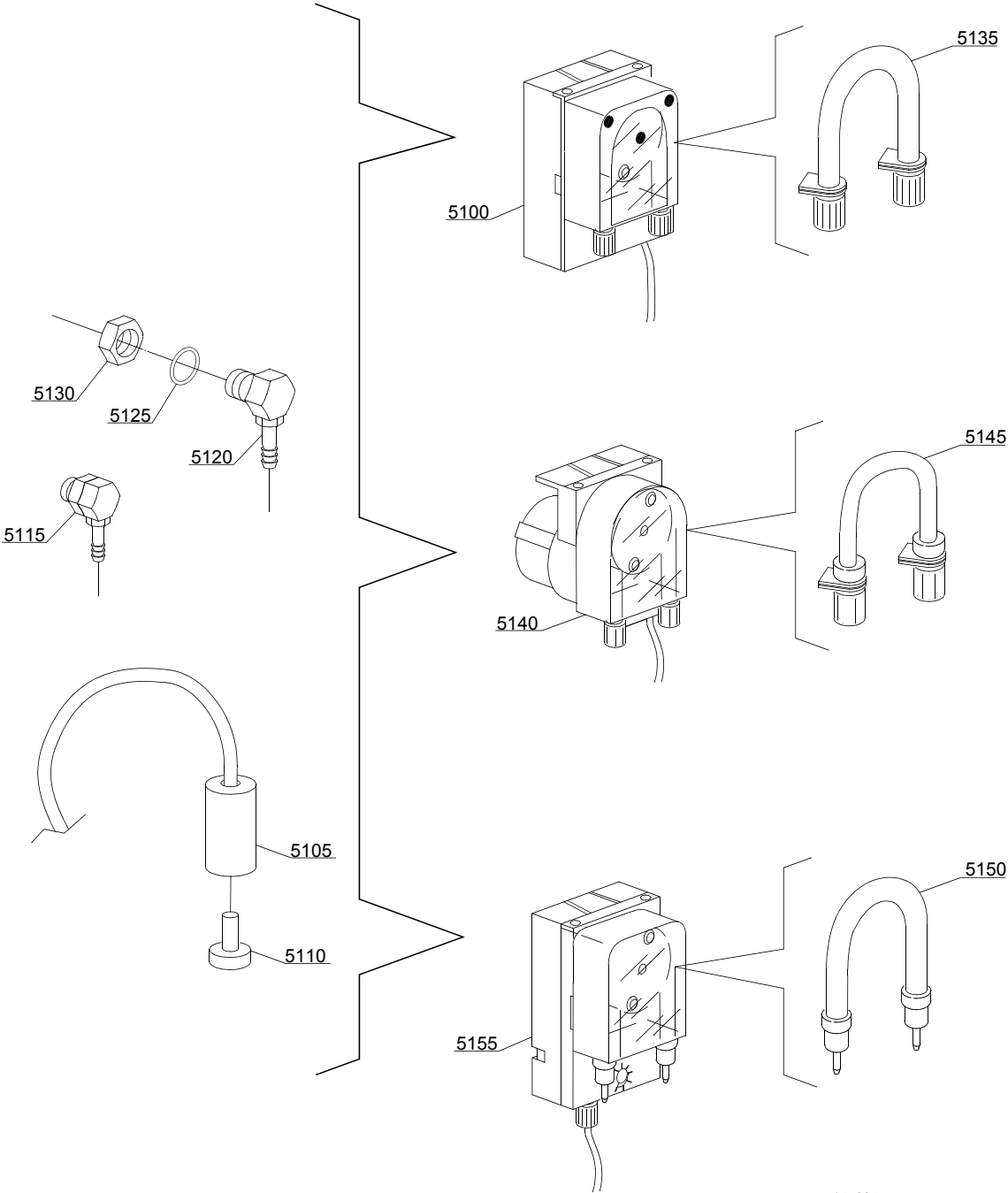
ID	P-code	Model	Type	Accessory	Voltage	Description
MODULE:Wash pump						
2200	10501/A		AQU37			0,10 Hp wash pump
2205	10702		AQU37			5 uF condenser
2210	10718		AQU37			Pump pipe coupling
2215	18787		AQU37			Suction pipe coupling
2220	10505		AQU37			Pump shaft O-rings
2225	10506		AQU37			79,8x2,6 OR O-ring
2230	10504		AQU37			Pump rotor
2235	10502		AQU37			Scroll



13_109_e

Spare parts

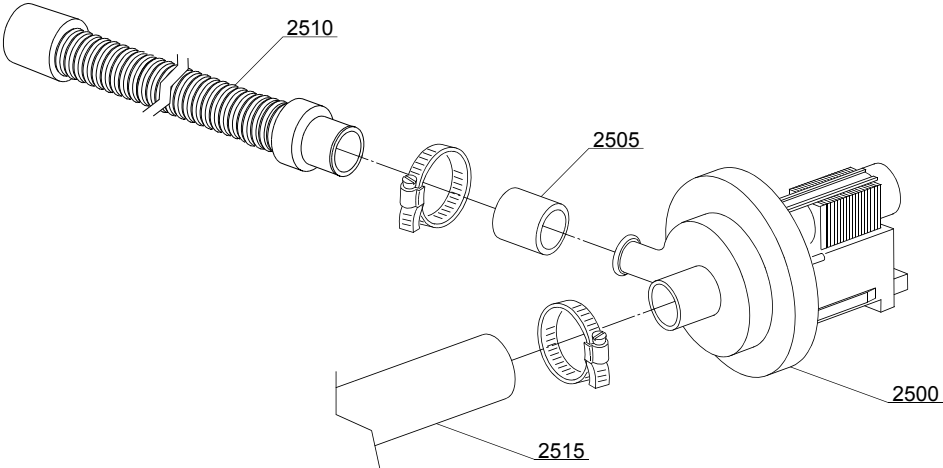
ID	P-code	Model	Type	Accessory	Voltage	Description
MODULE:Wash pump						
12600	18242/B		AQU37			0,30Hp wash pump
12600	18242		AQU37			0,30Hp wash pump
12600	260050		AQU37			0,30Hp wash pump
12605	16043		AQU37			8 uF condenser
12610	18787		AQU37			Suction pipe coupling
12615	16167		AQU37			Lower wash delivery pipe:part of wash ramp
12620	16167		AQU37			Wash ramp
12625	11806		AQU37			25/40 clamp
12630	11809		AQU37			30/45 clamp
12635	440122		AQU37			Pump support
12640	15080		AQU37			Rotating seals
12645	18259		AQU37			Pump rotor
12650	18245		AQU37			OR O-ring
12655	18247		AQU37			Scroll



14_004_e

Spare parts

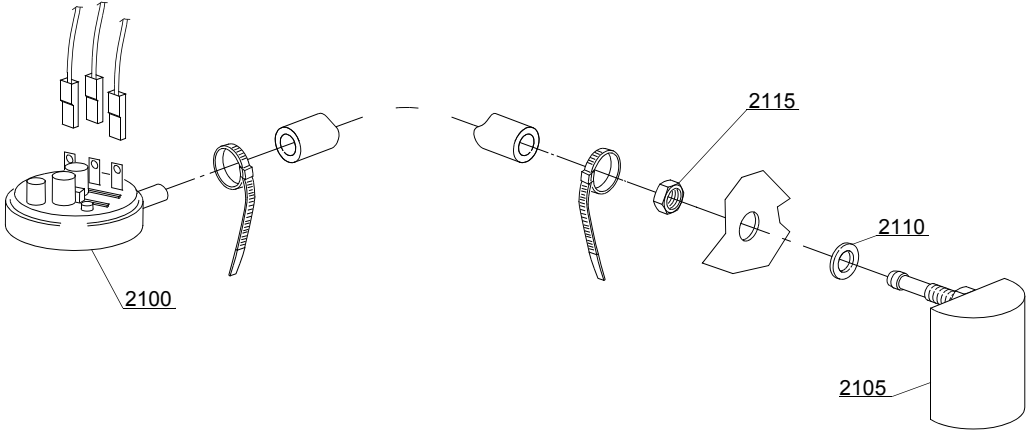
ID	P-code	Model	Type	Accessory	Voltage	Description
MODULE:Dosing detergent group						
5100	15985		AQU37	dd		Seko detergent pump
5105	12525		AQU37	dd		Counter-weight
5110	15058		AQU37	dd		Small filter
5115	15123		AQU37	dd		Complet plastic injector
5120	15148		AQU37	dd		Steel injector
5125	15159		AQU37	dd		OR O-ring
5130	10200205		AQU37	dd		M12x1 stainless steel nut
5135	15185		AQU37	dd		Ø 10 Seko thermoplastic pipe
5140	15985		AQU37	dd		Germac detergent pump
5145	15108/E		AQU37	dd		Ø 8 Germac thermoplastic pipe
5150	15985/A		AQU37	dd		Ø 10 PLAS CONT thermoplastic pipe
5155	15985		AQU37	dd		PLAS CONT detergent pump



15_004_e

Spare parts

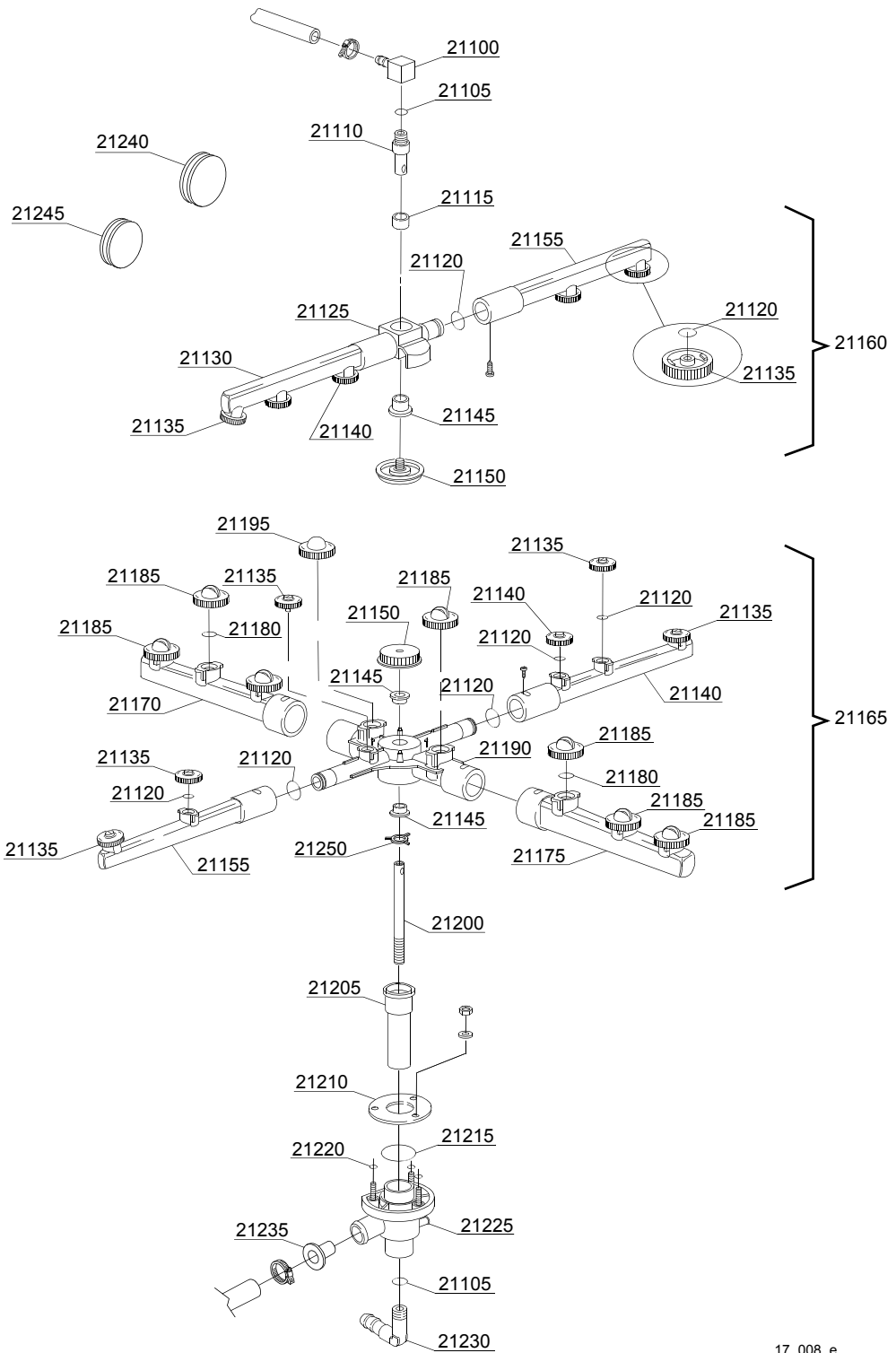
ID	P-code	Model	Type	Accessory	Voltage	Description
MODULE:Drain pump group						
2500	15101		AQU37	dp		Drain pump 220/240V 50Hz
2505	15101/D		AQU37	dp		Pipe fitting
2510	10727		AQU37	dp		Drain pipe
2515	18787/A		AQU37	dp		Drain coude/pump connection pipe



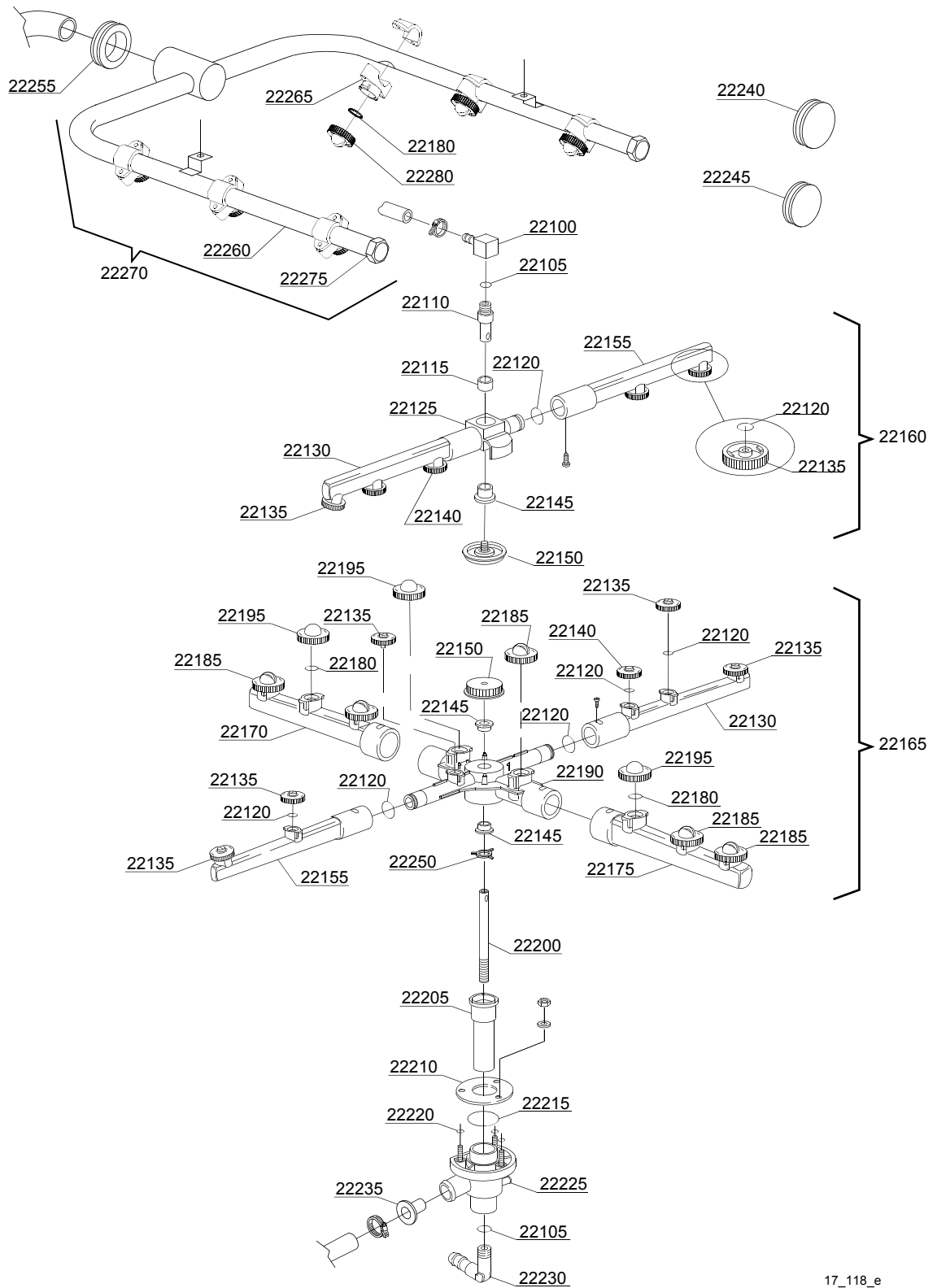
16_001_e

Spare parts

ID	P-code	Model	Type	Accessory	Voltage	Description
MODULE:Pressure switch group with air trap						
2100	10706/A		AQU37			47-27 pressure switch
2105	135911/D		AQU37			Grey air trap assembly
2110	13301		AQU37			O-ring
2115	11702		AQU37			M8 stainless steel nut



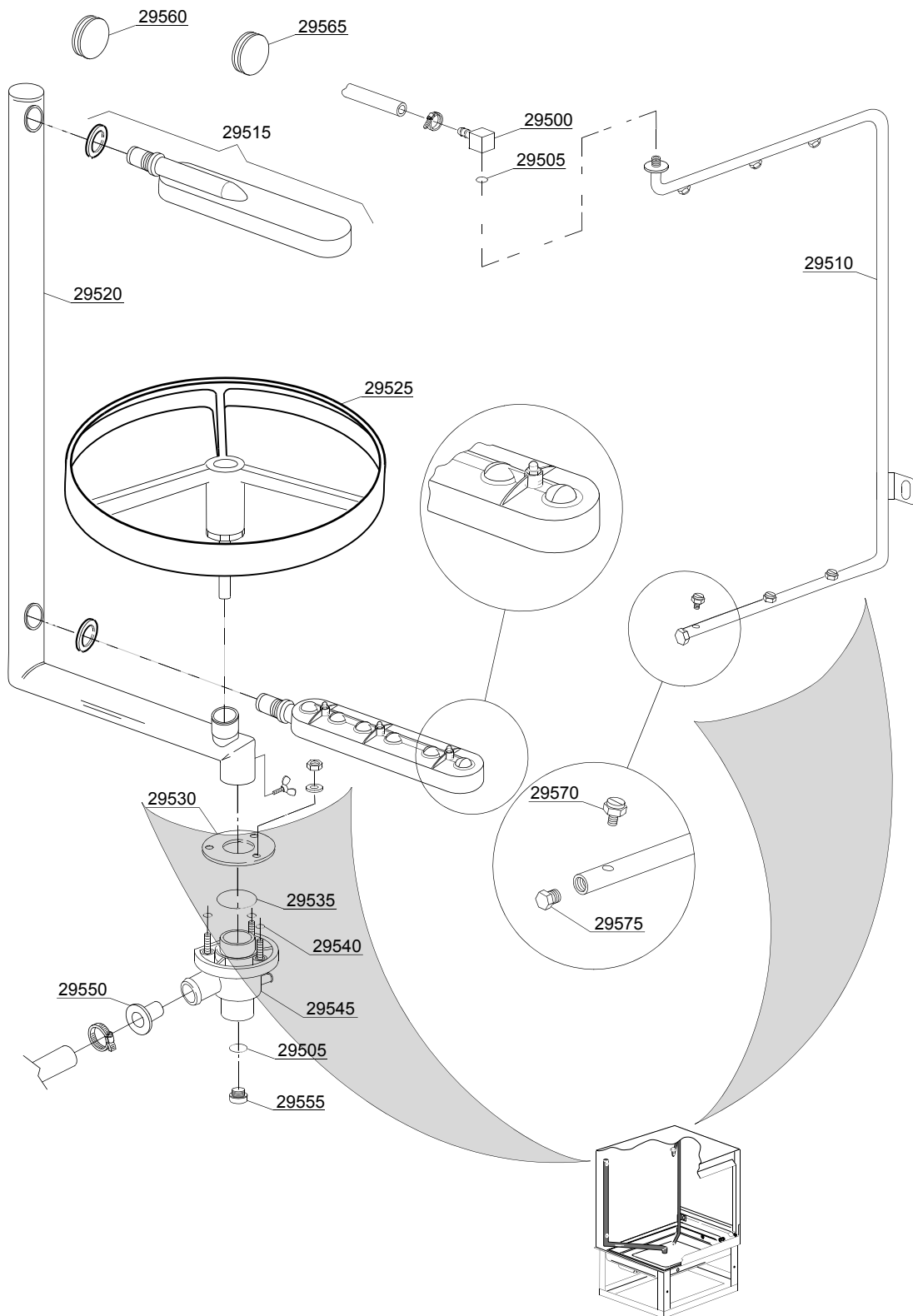
17_008_e



17_118_e

Spare parts

ID	P-code	Model	Type	Accessory	Voltage	Description
MODULE:Turret group with rotating arms						
22100	350402		AQU37			Top turret rinse hub
22105	13003		AQU37			OR 112 NBR O-ring
22110	350401		AQU37			Lower axle rinse hub
22115	13320		AQU37			Sliding washer
22120	13002		AQU37			OR R6 NBR O-ring
22125	10373		AQU37			Rinse rotor
22130	10375		AQU37			Left rinse pipe
22135	10371		AQU37			Opened head rinse nozzle
22140	10372		AQU37			Closed head rinse nozzle
22150	10377		AQU37			Handle with insert
22155	10374		AQU37			Right rinse pipe
22160	10997		AQU37			Top rinse group
22165	18996		AQU37			Lower wash/rinse group
22170	10367		AQU37			Right wash pipe
22175	10368		AQU37			Left wash pipe
22180	13009		AQU37			OR 2050 NBR O-ring
22185	10378		AQU37			Opened head wash nozzle
22190	10376		AQU37			Wash rotor
22195	10370		AQU37			Closed head wash nozzle
22200	135101		AQU37			10x1x190 stainless steel ground axle
22205	135250		AQU37			Bell-shape assembly with pipe coupling
22210	16038		AQU37			Ø60 stainless steel disk
22215	13000		AQU37			OR 3125 NBR O-ring
22220	13001		AQU37			OR 104 NBR O-ring
22225	10205/B		AQU37			Lower wash turret
22230	12030		AQU37			3/8M Ø12 elbow pipe fitting
22235	12518		AQU37			Flux reducer
22240	13316/A		AQU37			DVGW hole O-ring
22245	13316		AQU37			43x10 blind O-ring
22250	10203		AQU37			Guide pipe
22255	13306/A		AQU37			Top wash ramp O-ring
22260	137134		AQU37			Top wash pipe
22265	10221		AQU37			Wash nozzle
22265	10275		AQU37			Wash nozzle
22270	137903		AQU37			Top wash group
22275	12503		AQU37			Plug
22280	10378		AQU37			Nozzle



17_122_e

Spare parts

ID	P-code	Model	Type	Accessory	Voltage	Description
MODULE:Turret group with rotating arms						
29500	350402		AQU37			Top turret rinse hub
29505	13003		AQU37			OR 112 NBR O-ring
29510	260051		AQU37			Wash ramp
29515	16157		AQU37			Wash arm
29520	260052		AQU37			Rinse ramp
29525	370101		AQU37			Basket support
29530	16038		AQU37			Ø60 stainless steel disk
29535	13000		AQU37			OR 3125 NBR O-ring
29540	13001		AQU37			OR 104 NBR O-ring
29545	10205/B		AQU37			Lower wash turret
29550	12518		AQU37			Flux reducer
29555	80277		AQU37			Plug
29560	13316		AQU37			43x10 blind O-ring
29565	13316/A		AQU37			DVGW hole O-ring
29570	560018		AQU37			Stainless steel rinse nozzle
29575	560017		AQU37			Rinse arm plug