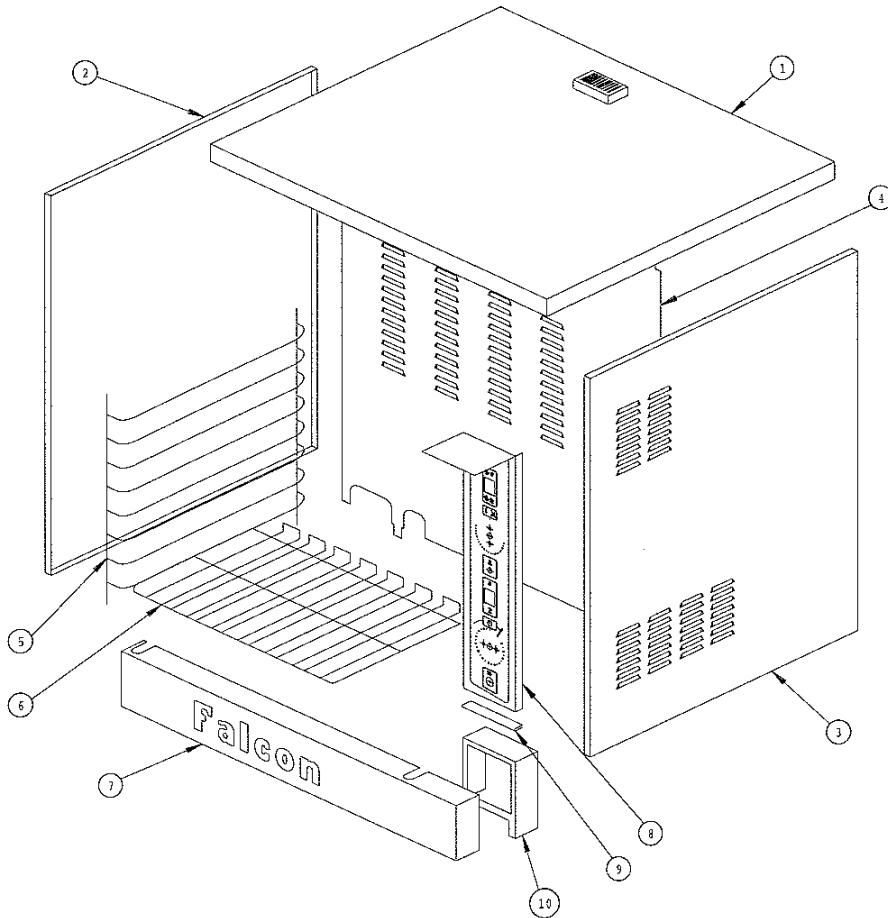
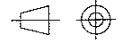


IF IN DOUBT ASK!!

DO NOT SCALE !!  
First Angle Projection



ITEM	DESCRIPTION	E7204 SPARES No.	E7208 SPARES No.	E7211 SPARES No.
1	OUTER TOP PANEL	732920022	732920023	732920023
2	OUTER SIDE PANEL L.F.	732920024	732920026	732920028
3	OUTER SIDE PANEL R.F.	732920025	732920027	732920029
4	OUTER BACK PANEL	732920030	732920031	732920032
5	SHELF HANGER	732920045	531920270	-----
6	GRID SHELF	732920033	732920034	
7	FRONT COVER PANEL	732920035	732920036	732920037
8	CONTROL PANEL	732920038	732920039	732920040
9	CONTROL PANEL HINGE	732920041	732920041	732920041
10	CONTROL PANEL TRIM	732920042	732920043	732920044

All dimensions in millimetres, Tolerance- Linear  $\pm 0.5\text{mm}$  Angular  $\pm 0.5^\circ$  (or as stated). All sharp edges to be removed from sheet metal parts.



Drawn	I. HAMILTON	Product	E7200 SERIES
Date	26-10-05	Title	SPARES - BODY FITMENTS
Scale		Drawing Number	AB44346
Mail.		Issue	
No. off		Finish	
Bin No.		Kraus No.	

Issue	Mod No.	Alteration	Zone	Drawn by	Date

This part is common to the following units

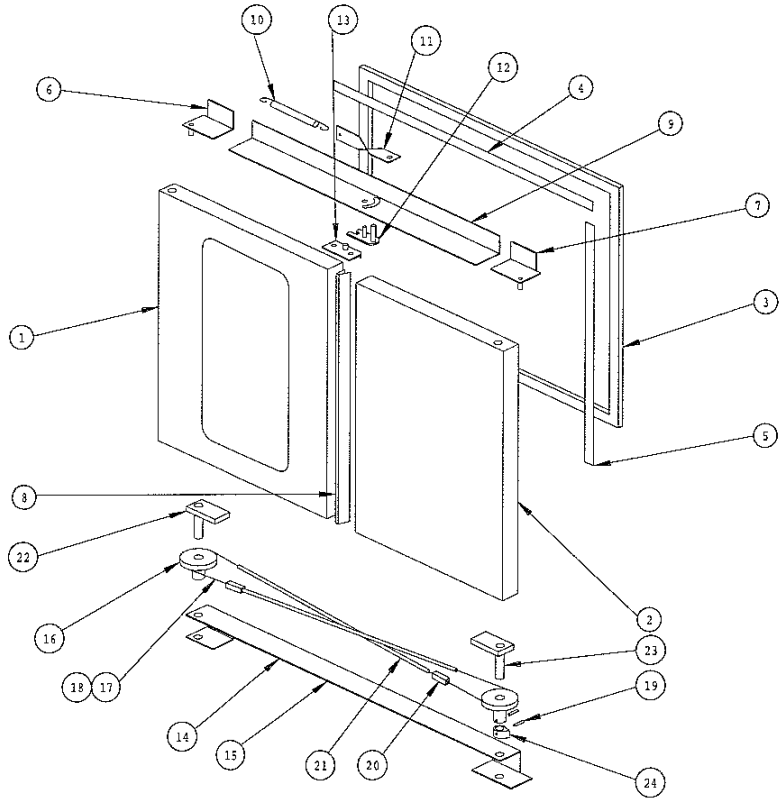
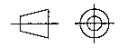
No reproduction or publication of this drawing may be made and no article may be manufactured or assembled in accordance with this drawing without prior written consent. This permission is a term of any contract relating to this drawing. Rights reserved under the Copyright Act 1956 as amended by the Design Copyright Act 1988.

PREPARED FOR PRODUCTION

Falcon Foodservice Equipment. Wallace View Hillfoots Road Stirling Scotland

IF IN DOUBT ASK!!

DO NOT SCALE !!  
First Angle Projection



ITEM	DESCRIPTION	E7204 SPARES No.	E7208 SPARES No.	E7211 SPARES No.
1	DOOR ASSY L.H.	732920070	732920072	732920074
2	DOOR ASSY R.H.	732920071	732920073	732920075
3	DOOR SEAL	531930525	531930525	531940090
4	SEALING STRIP - HORIZONTAL	531930630	531940091	531940091
5	SEALING STRIP - VERTICAL	531930620	732920078	531940092
6	TOP DOOR HINGE L.H.	732920000	732920002	732920002
7	TOP DOOR HINGE R.H.	732920001	732920003	732920003
8	DOOR LATCHING STRIP	731930070	531920570	531940160
9	TOP DOOR ANGLE c/w MECHANISM	732920004	732920005	732920005
10	SPRING	531920750	531920750	531920750
11	TOGGLE LINK	531920612	531920612	531920612
12	TOGGLE PLATE ASSY	531920611	531920611	531920611
13	CATCH KEEPER	531920640	531920640	531920640
14	BOTTOM DOOR ANGLE	732920076	732920077	732920077
15	BOTTOM DOOR ANGLE c/w MECHANISM	531930245	531940175	531940175
16	SPROCKET	732920079	531920130	531940200
17	CHAIN	732920080	531920700	531920700
18	CONNECTING LINK	531920740	531920740	531920740
19	ROLL PIN	732920081	531920111	531920111
20	TURNBUCKLE	531930690	531920720	531920720
21	LINKAGE ROD	531930640	531920510	531920510
22	BOTTOM DOOR HINGE - L.H.	531930130	531920360	531920360
23	BOTTOM DOOR HINGE - R.H.	531930140	531920370	531920370
24	DOOR MICRO SWITCH CAM	531920620	531920620	531920620

All dimensions in millimetres, Tolerance- Linear ±0.5mm Angular ±0.5° (or as stated). All sharp edges to be removed from sheet metal parts.



Drawn	I. HAMILTON	Product	E7200 SERIES	
Date	26-10-05	Title	DOOR SPARES	
Scale		Drawing Number	AB44348	
Matl.		Issue		
No. off		Finish		
Bin No.		Kraus No.		

Issue	Mod No.	Alteration	Zone	Drawn by	Date

No reproduction or publication of this drawing may be made and no article may be manufactured or assembled in accordance with this drawing without prior written consent. This prohibition is a term of any contract relating to this drawing. Rights reserved under the Copyright Act 1956 as amended by the Design Copyright Act 1968.

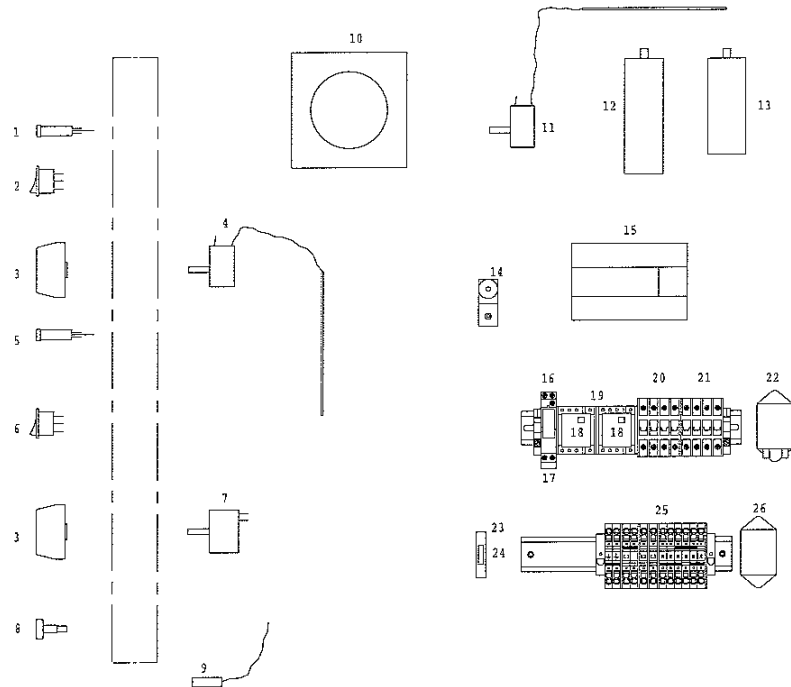
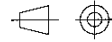
This part is common to the following units

**PREPARED FOR PRODUCTION**

Falcon Foodservice Equipment. Wallace View Hillfoots Road Stirling Scotland

IF IN DOUBT ASK!!

DO NOT SCALE !!  
First Angle Projection



ITEM	DESCRIPTION	E7204 SPARES No.	E7208 SPARES No.	E7211 SPARES No.
1	NEON INDICATOR (RED)	732920046	732920046	732920046
2	COOL/HEAT SWITCH	732920047	732920047	732920047
3	CONTROL KNOB	732920048	732920048	732920048
4	OPERATING THERMOSTAT	732920049	732920049	732920049
5	NEON INDICATOR (AMBER)	732920050	732920050	732920050
6	COOK/HOLD SWITCH	732920051	732920051	732920051
7	TIMER	732920052	732920052	732920052
8	LIGHT SWITCH	732920053	732920053	-----
9	DOOR MICRO-SWITCH	531925260	531925260	531925260
10	COOLING FAN	732920054	732920054	732920054
11	HOLD THERMOSTAT	732920055	732920055	732920055
12	CAPACITOR 16uF	732920056	732920056	732920056
13	CAPACITOR 30uF	732920057	732920057	732920057
14	BUZZER	732920058	732920058	732920058
15	P.L. CONTROLLER	732920059	732920059	732920059
16	RELAY - BUZZER	732920060	732920060	732920060
17	RELAY BASE	732920061	732920061	732920061
18	RELAY - FAN	732920062	732920062	732920062
19	RELAY BASE	732920063	732920063	732920063
20	OVEN CONTACTOR	732920064	732920064	732920064
21	SAFETY CONTACTOR	732920065	732920065	732920065
22	RELAY - START/RUN	732920066	732920066	732920066
23	FUSE HOLDER	732920070	732920070	732920070
24	FUSE	732920068	732920068	732920068
25	TERMINAL BLOCK ASSEMBLY	732920069	732920069	732920069
26	NAINS FILTER	732920096	732920096	732920096

All dimensions in millimetres, Tolerance- Linear  $\pm 0.5mm$  Angular  $\pm 0.5^\circ$  (or as stated). All sharp edges to be removed from sheet metal parts.



Drawn	I. HAMILTON	Product	E7200 SERIES	
Date	26-10-05	Title	SPARES - CONTROLS	
Scale				
Matl.		Drawing Number	AB44347	Issue
No. off		Finish		A
Brg. No.		Kraus No.		

Issue	Mod No.	Alteration	Zone	Drawn by	Date
A		ITEM 23 WAS 732920067 ITEM 26 WAS 732920084		I. HAMILTON	27-10-08

This part is common to the following units

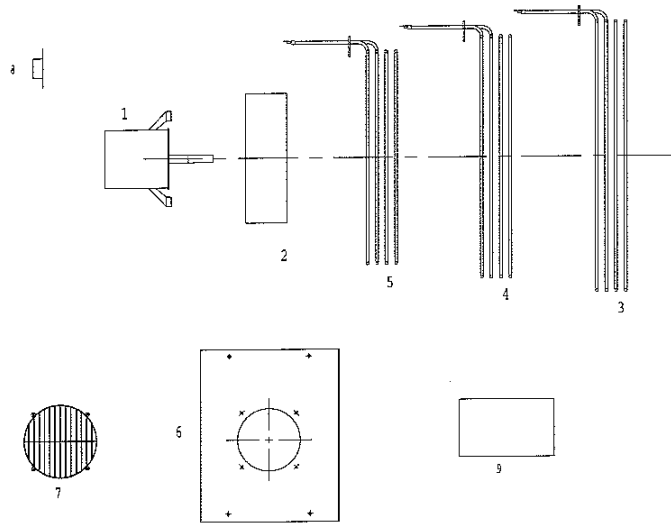
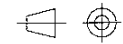
© No reproduction or publication of this drawing may be made and no article may be manufactured or assembled in accordance with this drawing without prior written consent. This prohibition is a general one of any contract relating to this drawing. Rights reserved under the Copyright Act 1956 as amended by the Design Copyright Act 1988.

RELEASED FOR PRODUCTION

Falcon Foodservice Equipment. Wallace View Hillfoots Road Stirling Scotland

IF IN DOUBT ASK!!

DO NOT SCALE !!  
First Angle Projection



ITEM	DESCRIPTION	E7204 SPARES No.	E7208 SPARES No.	E7211 SPARES No.
1	FAN MOTOR C/W CAPACITORS	732920006	732920006	732920006
2	FAN IMPELLOR	732920007	732920008	732920009
3	OVEN ELEMENT - OUTER	732920016	732920019	732920021
4	OVEN ELEMENT - CENTER	-----	-----	732920020
5	OVEN ELEMENT - INNER	732920017	732920018	732920018
6	BACK BAFFLE	732920011	732920012	732920010
7	FAN GUARD	732920013	732920013	732920013
8	OVEN SAFETY THERMOSTAT	732920014	732920014	732920014
9	OVEN LAMP	732920015	732920015	-----

All dimensions in millimetres. Tolerance- Linear  $\pm 0.5\text{mm}$  Angular  $\pm 0.5^\circ$  (or as stated). All sharp edges to be removed from sheet metal parts.



Drawn	I. HAMILTON	Product	E7200 SERIES	
Date	26/10/05	Title	SPARES - OVEN FITMENTS	
Scale		Drawing Number	AB44349	Issue
Matl.		No. off		Finish
		Bin No.		Kraus No.

Issue	Mod No.	Alteration	Zone	Drawn by	Date

© No reproduction or publication of this drawing may be made and no article may be manufactured or assembled in accordance with this drawing without prior written consent. This prohibition is a condition of any contract relating to this drawing. Rights reserved under the Copyright Act 1955 as amended by the Design Copyright Act 1988.

This part is common to the following units

**CLEAR FOR PRODUCTION**

Falcon Foodservice Equipment. Wallace View Hillfoots Road Stirling Scotland