

# HOOD TYPE MACHINE

INSULATED DOUBLE WALLED CAPOTE  
ELECTRONIC SWITCHES VERSION

TYPE: H63E

Accessories

BREAK TANK

BOOSTER PUMP

DVGW

WATER SOFTNER

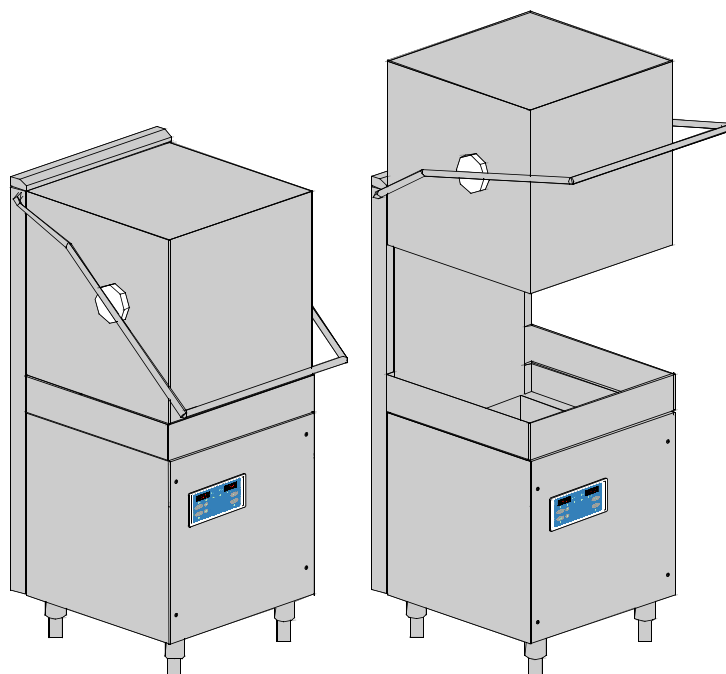
DETERGENT DISPENSER

DRAIN PUMP

---

## Spare parts manual

---



# Parti di ricambio Spare Parts Catalogues pièces

## INFORMAZIONI GENERALI

Questo catalogo serve per richiedere con esattezza le parti di ricambio

Nelle ordinazioni indicare:

1) il numero dei codici dei particolari seguito dalla descrizione e la quantità desiderata;

2) Il codice alfa-numerico presente nella seconda colonna della tabella ;

**I disegni delle parti di ricambio sono solo indicativi e non rappresentano il pezzo in oggetto.**

**I dati contenuti in questo catalogo sono indicativi e possono essere soggetti a modifiche senza impegno di preavviso.**

## ALLGEMEINE INFORMATIONEN

Dieser Ersatzteilkatalog dient zur genauen Angabe der Teile bei Ersatzteilbestellungen.

Bei Ersatzbestellung ist folgendes anzugeben:

1) Die Bestellnummer der Ersatzteile mit der entsprechenden Beschreibung genaue Menge;

2) Der alpha-numerischer Code auf der zweiten Reihe in dein Spalte;

**Die Zeichnungen der Ersatzteile sind nur als Hinweise gedacht und stellen nicht das betroffene Teil dar.**

**Bei den im Katalog angeführten Daten handelt es sich um Anhaltsdaten, die jederzeit, ohne Vorankündigung, geändert werden können.**

## GENERAL INFORMATION

The present spare parts order exactly the right spare parts

When ordering specify:

1) the part's code number followed by its description and quantity needed;

2) The alpha-numeric code is in the second column in the chart;

**Spare parts drawings are general and do not represent the part.**

**The contents of this catalogue are general and can undergo changes without prior notice.**

## INFORMACIONES GENERALES

El presente catálogo sirve para pedir con exactitud las partes de repuesto

En los pedidos se debe indicar:

1) el número de código de la parte y a continuación la descripción cantidad deseada;

2) El código alfanumerico presente en la signada columna de la tabla;

**Los diseños de las partes de recambio son solo indicativos y no representan la pieza en cuestión.**

**Los datos contenidos en el presente catálogo son indicativos y pueden modificarse sin aviso previo.**

## INFORMATIONS GENERALES

Ce catalogue permet de commander correctement les pièces détachées

Les commandes doivent être passées en indiquant:

1) le numero de code des pièces dééectachées suivi de leur description quantité désirée;

2) le code alphanumérique dans la deuxième colonne du tableau;

**Les plans des pièces détachées sont fournis seulement à titre indicatif et ne représentent pas la pièce concernée.**

**Les données de ce catalogue sont citées seulement à titre indicatif et peuvent être l'objet de modifications sans avis préalable.**

## ESEMPIO EXAMPLE EXEMPLE BEISPIEL

Rif.	Codici
MODULE:Particolari	
10505	540903
10510	540908
10515	15065/A
10520	540086
10525	540028

### Note

Tutte le informazioni riportate si intendono aggiornate alla data di stampa. Il Produttore si riserva il diritto di apportare qualsiasi modifica richiesta dallo sviluppo evolutivo dei suddetti prodotti.

Per la sicurezza, la garanzia, l'affidabilità ed il valore della lavastoviglie usa solo ricambi originali. **Per alcuni codici, sono richieste quantità minime d'ordine.**

### Attenzione

Questo libretto è parte integrante della lavastoviglie e, in caso di passaggio di proprietà, deve essere consegnato al nuovo acquirente.

### Remarque

Toutes les informations contenues dans ce manuel s'entendent mises à jour à la date d'impression. En raison du développement constant de ses produits, usine se réserve le droit d'apporter à tout instant les modifications qu'elle jugera utiles.

Pour la sécurité, la garantie, la fiabilité et la valeur de votre lave-vaisselles n'utilisez que des pièces de rechange d'origine. **Pour quelque référence on demande un minimum de pièces par commande**

### Attention

Ce manuel doit être considéré comme partie intégrante de la lave-vaisselles, en cas de transfert de propriété, doit toujours être remis au nouveau propriétaire.

### Note

The information contained herein is valid at the time of going to print. The Company reserves the right to make any changes required by the future development of the above-mentioned products.

For your safety, as well as to preserve the warranty reliability and worth of your dishwashers, use original spare parts only. **For some codes a minimum quantity for order is required.**

### Warning

This manual forms an integral part of the dishwashers and - if a transfer of title occurs - must always be handed over to the new owner.

### Hinweis

Die Der Hersteller behält sich das Recht vor, jegliche, durch eine Weiterentwicklung der genannten Produkte bedingte Änderungen vornehmen zu können.

Verwenden Sie für Ihre Sicherheit, die Garantie, die Zuverlässigkeit und den Wert Ihrer machine originale Ersatzteile. **Für bestimmte Code nummer werden mindesten bestellungen verlangt.**

### Achtung

Diese Betriebsanleitung ist Bestandteil des machine und muss bei seinem Weiterverkauf dem neuen Besitzer ausgehändigt werden.

## 1. Spare parts

General body parts.....	7
Closing panelig.....	9
Control panel .....	11
Control electric components.....	13
Solenoid valve group .....	15
Solenoid valve group .....	17
Break Tank .....	19
Booster pump.....	21
DVGW .....	23
Water softner group.....	25
Shining product dosing device group .	27
Boiler group .....	29
3 ways derivation.....	31
Wash pump group.....	33
Dosing device group .....	35
Dosing device group .....	37

---

<b>Drain pump group.....</b>	<b>39</b>
<b>Pressure switch group with air trap ...</b>	<b>41</b>
<b>Turret group with rotating arms .....</b>	<b>43</b>

## 1.1 Voltage codes

Voltage code	Voltage
A	3/N/PE~400/230V 50Hz
B	~250V 16A 50Hz
C	3/N/PE~380/220V 50Hz
D	3/PE~200V 50-60Hz
F	2/PE 220-240V 50Hz
G	3/N/PE~415/240V 50Hz
H	3/PE~230V 50Hz
I	3/PE~220V 60Hz
J	3/PE~380 50Hz
K	3/PE~400V 50Hz
L	3/PE~415V 50Hz
M	3/PE~440V 60Hz
N	3/PE~460V 60Hz
O	3/PE~480V 60Hz
P	1/N/PE~220-240V 50Hz
R	2/PE~220-230V 60Hz
S	3/N/PE~400/230V 50Hz
T	3/PE~230V 60Hz

## 1.2 Product codes

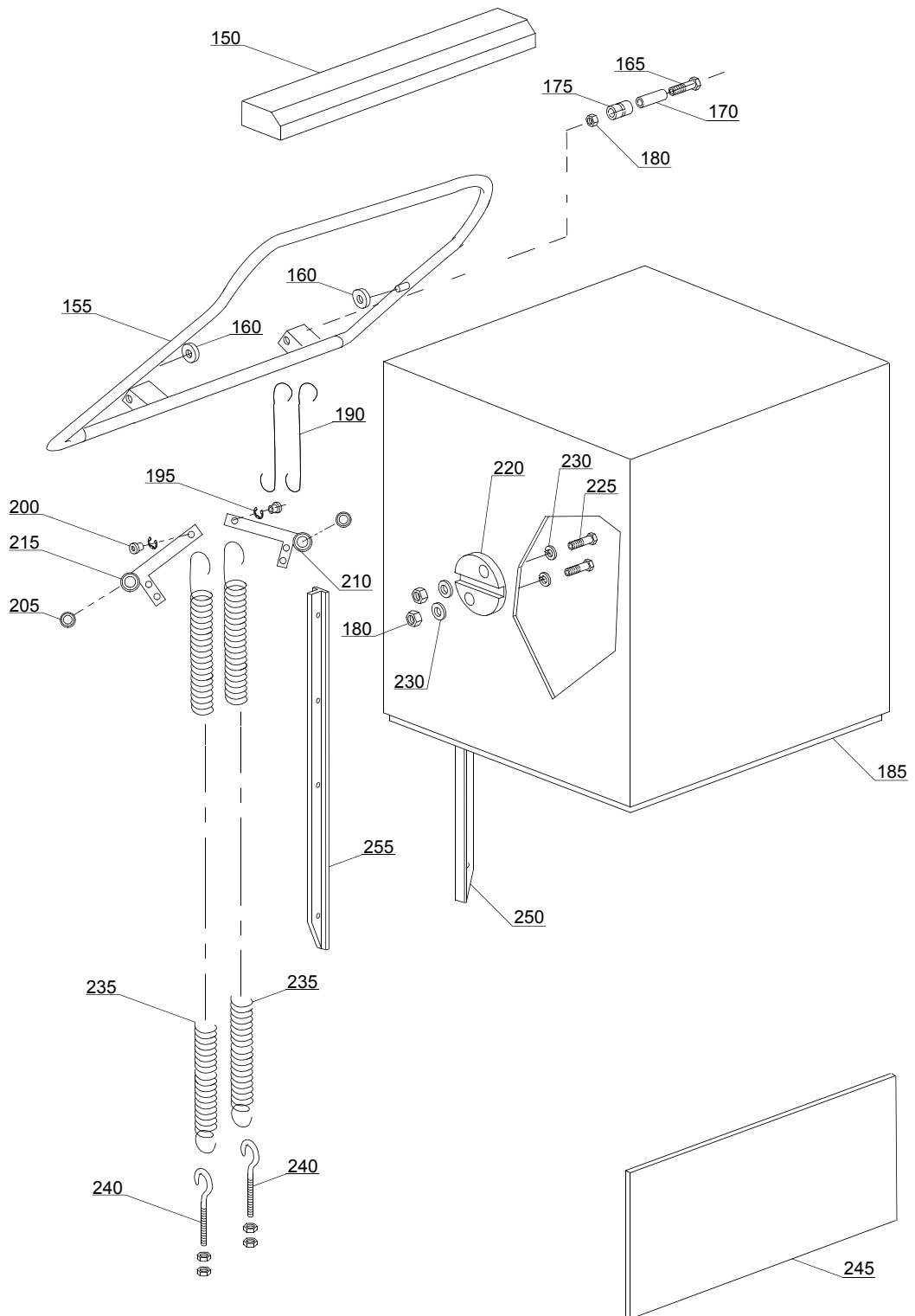
Product code	Full name
Model codes	
is	INSULATED DOUBLE WALLED CAPOTE
e	ELECTRONIC SWITCHES VERSION
Type codes	
H63E	H63E
Accessory codes	
bt	BREAK TANK
pap	BOOSTER PUMP
dvgw	DVGW
d	WATER SOFTNER
dde	DETERGENT DISPENCER
ps	DRAIN PUMP



## Spare parts

ID	P-code	Model	Type	Accessory	Voltage	Description
MODULE:General body parts						
30300	10600923		H63E			Basket side
30305	11600001		H63E			Basket support
30310	11600906		H63E			Filter with hole
30315	11600907		H63E			Filter
30320	500616		H63E			Suction filter
30325	11600102		H63E			Overflow pipe
30330	13021		H63E			DEM 40 gasket
30335	500615		H63E			Ferrule with filter
30340	11600018		H63E			Basket-holder support pin
30345	15116		H63E			Foot
30350	15065/A		H63E			Cable-fastener with screw
30355	13324		H63E			Ø46 mm fairlead
30360	11600960		H63E			Base assembly
30365	11600055		H63E			Right/left pilot bush
30370	11600055		H63E			Right/left pilot bush
30375	13015		H63E			6225 OR 160 NBR gasket
30380	15047/A		H63E			2,7KW heating element
30385	11600630		H63E			Back panel
30390	70305		H63E			Limit stop push button
30395	11600620		H63E			Right standard
30400	11600621		H63E			Left standard
30405	500605		H63E			Right side scrap tray
30410	80208		H63E			95x75x3 gasket

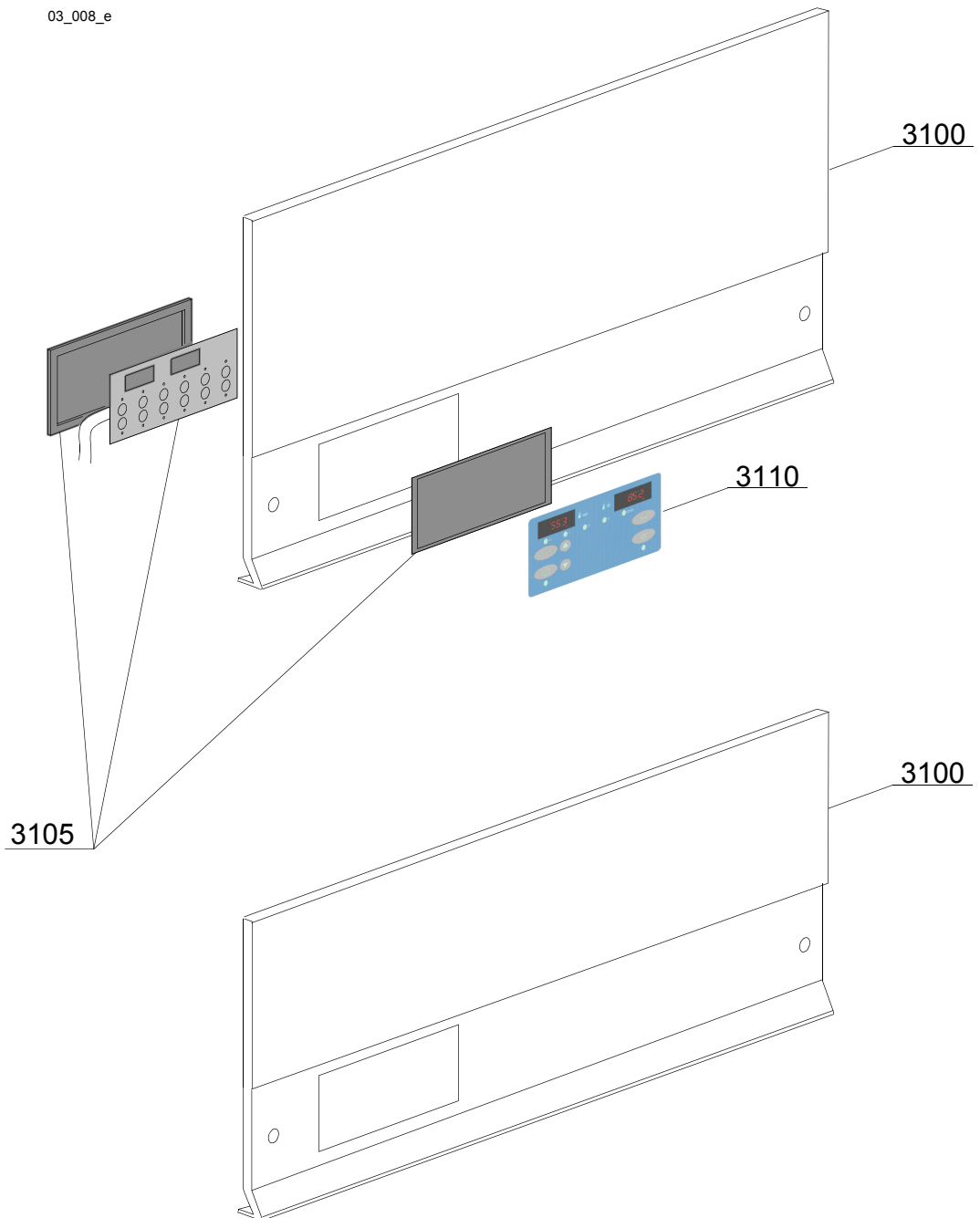
02\_202\_e





ID	P-code	Model	Type	Accessory	Voltage	Description
MODULE:Closing panelig						
150	11600913		H63E			Spoiler
155	11600910		H63E			Grip
160	89919		H63E			Wheel for basket
165	11214		H63E			Screw
170	11600015		H63E			Roller spacer
175	11600014		H63E			Roller tie rod
180	11718		H63E			M8 stainless steel self-locking nut
190	11600013		H63E			Union grip/levers tie rod
195	11823		H63E			Ø10 stainless steel snap ring
200	11600038		H63E			Spring bush
205	10800010		H63E			Lever bearing
210	11600026		H63E			Right lever
215	11600027		H63E			Left lever
220	11600030		H63E			Capote movement cam
225	11110		H63E			M8x35 TE stainless steel screw
230	13301		H63E			Gasket
235	70302		H63E			Back spring
240	10800210		H63E			Tie rod screw with hook
245	11600616		H63E			Lower door panel
250	11600028		H63E			Capote right sliding guide
255	11600029		H63E			Capote left sliding guide

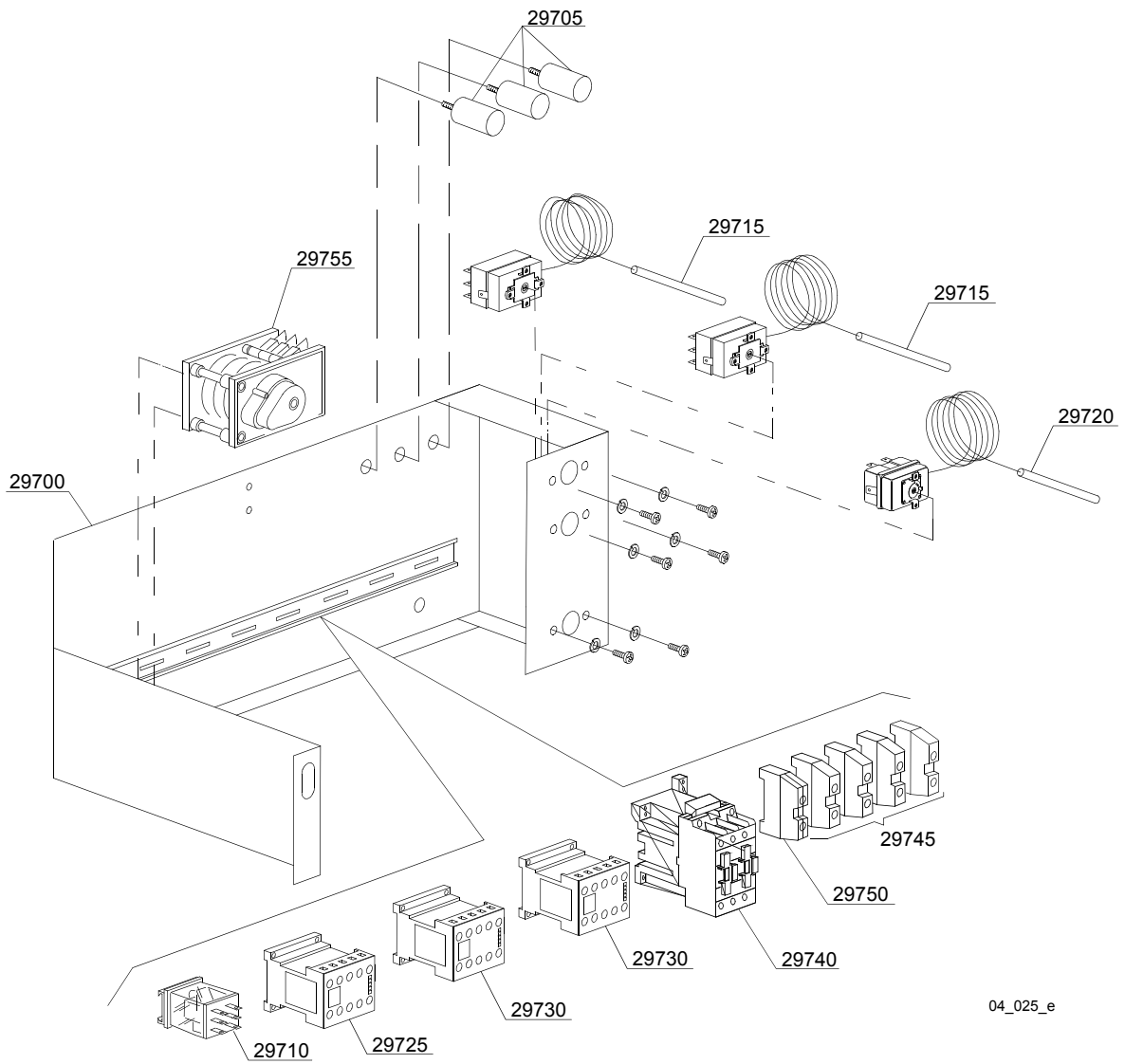
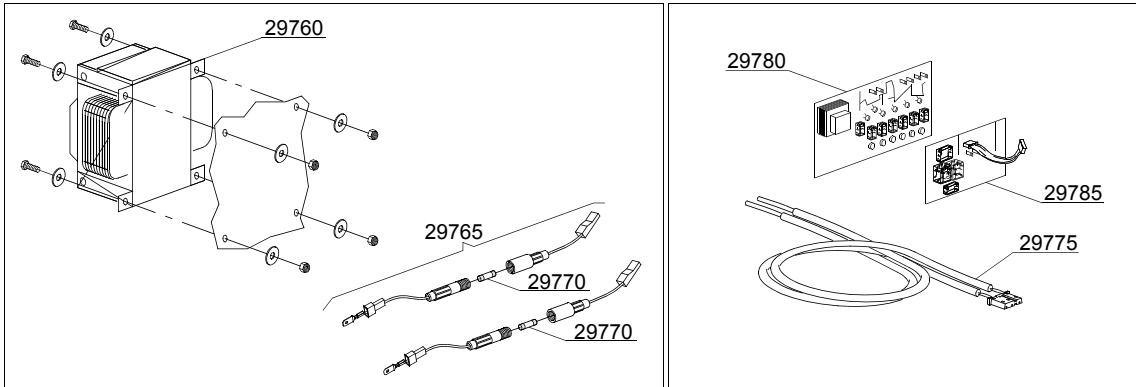
03\_008\_e



## Spare parts

---

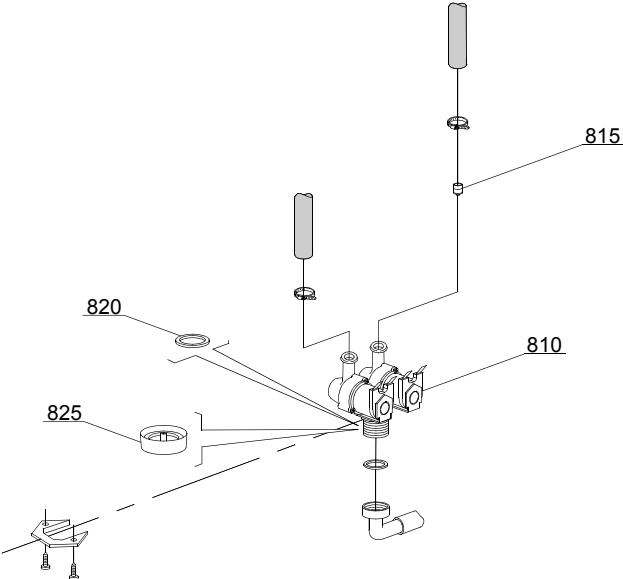
ID	P-code	Model	Type	Accessory	Voltage	Description
MODULE:Control panel						
3100	11600952		H63E			Control panel
3105	50570		H63E	dp		Compleat membrane key-driver
3110	50572		H63E			Neutral Silckscreen processed grill membrane push button-driver
3110	50571		H63E			Silckscreen processed grill membrane push button-driver ws+d



04\_025\_e

## Spare parts

ID	P-code	Model	Type	Accessory	Voltage	Description
MODULE:Control electric components						
29700	11600955		H63E			Electric component panel
29705	15149		H63E			Low noise filter
29710	560301		H63E	lift		Relay
29720	2000430		H63E			Safety thermostat
29725	10300391		H63E			3NA/1NC remote control switch
29725	10300392		H63E			3NA/1NC remote control switch - 240Vac 50Hz
29730	15086		H63E			Remote control switch 230V 50/60Hz 4C
29730	15086/B		H63E			Remote control switch 240V 50Hz
29740	10300050		H63E			25/12A remote control switch
29740	10300052		H63E			36A/20A remote control switch
29740	10300054		H63E			25A/16A remote control switch
29745	10300401		H63E			6/8mm <sup>2</sup> yellow/green terminal
29750	10300403		H63E			6mm <sup>2</sup> terminal
29775	50562		H63E	ws		Thermostat probe
29780	50557		H63E	ws		60/100/180 Eco-2 electronic timer
29785	50559		H63E	dp,ws		Electronic timer for Exp - Ps card

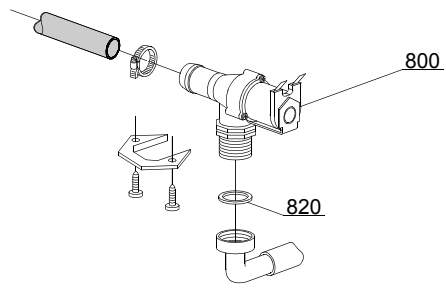


05\_003\_e

## Spare parts

---

ID	P-code	Model	Type	Accessory	Voltage	Description
MODULE: Solenoid valve group						
810	15098		H63E	cr,ws		Double solenoid valve - Ø10
820	N.C.		H63E	cr,ws		Pression reducing valve



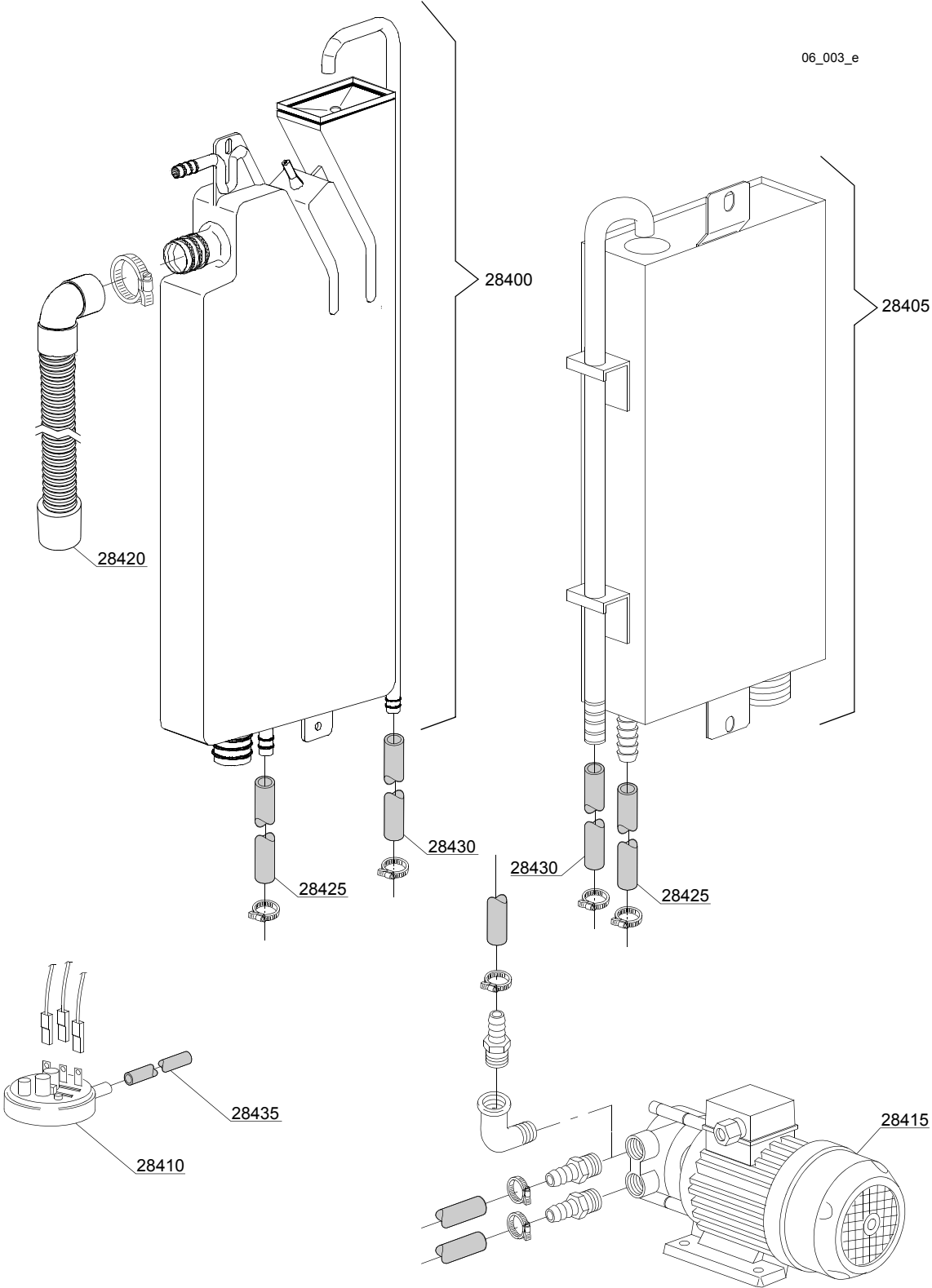
05\_005\_e



## Spare parts

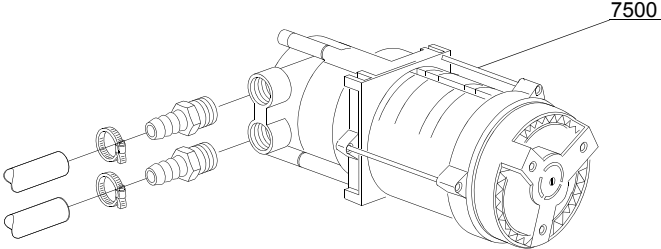
---

ID	P-code	Model	Type	Accessory	Voltage	Description
MODULE:Solenoid valve group						
800	30001000		H63E			Single solenoid valve
820	N.C.		H63E			Pression reducing valve



## Spare parts

ID	P-code	Model	Type	Accessory	Voltage	Description
MODULE:Break Tank						
28400	15720		H63E	bt		Break tank assembly
28405	15735		H63E	bt		Break tank assembly
28410	10706/A		H63E	bt		47-27 pressure switch
28420	15721		H63E	bt		BT long pipe L=1070
28420	15722		H63E	bt		BT middle pipe L=920
28420	15723		H63E	bt		BT small pipe L=920
28425	2907350		H63E	bt		12x20 EPDM rubber pipe
28430	2907352		H63E	bt		PVC WRAS rubber pipe
28435	14508		H63E	bt		4,5x9 EPDM rubber pipe

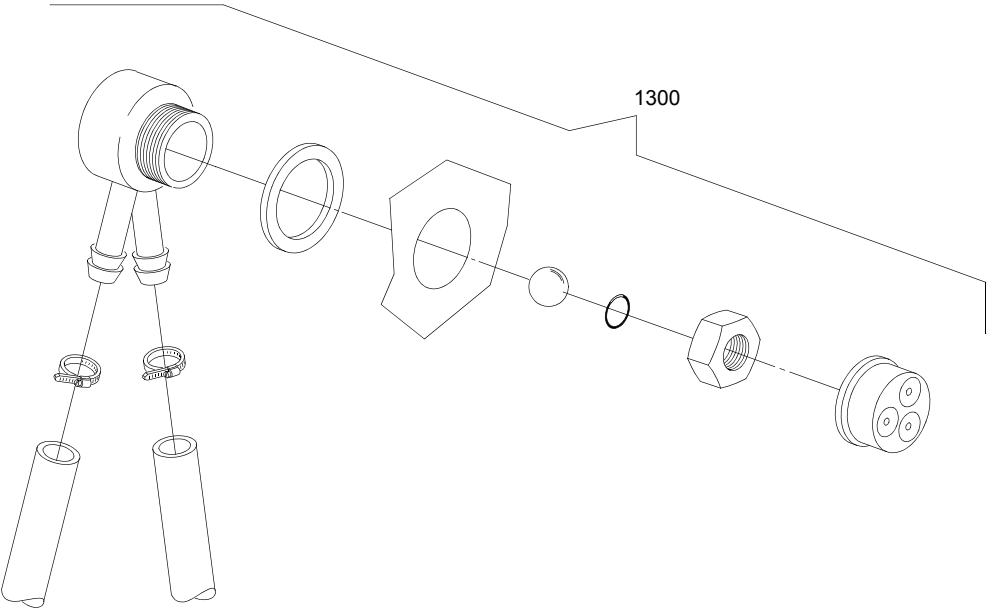


07\_003\_e

## Spare parts

---

ID	P-code	Model	Type	Accessory	Voltage	Description
MODULE:Booster pump						
7500	15100/D		H63E	bp		Booster pump



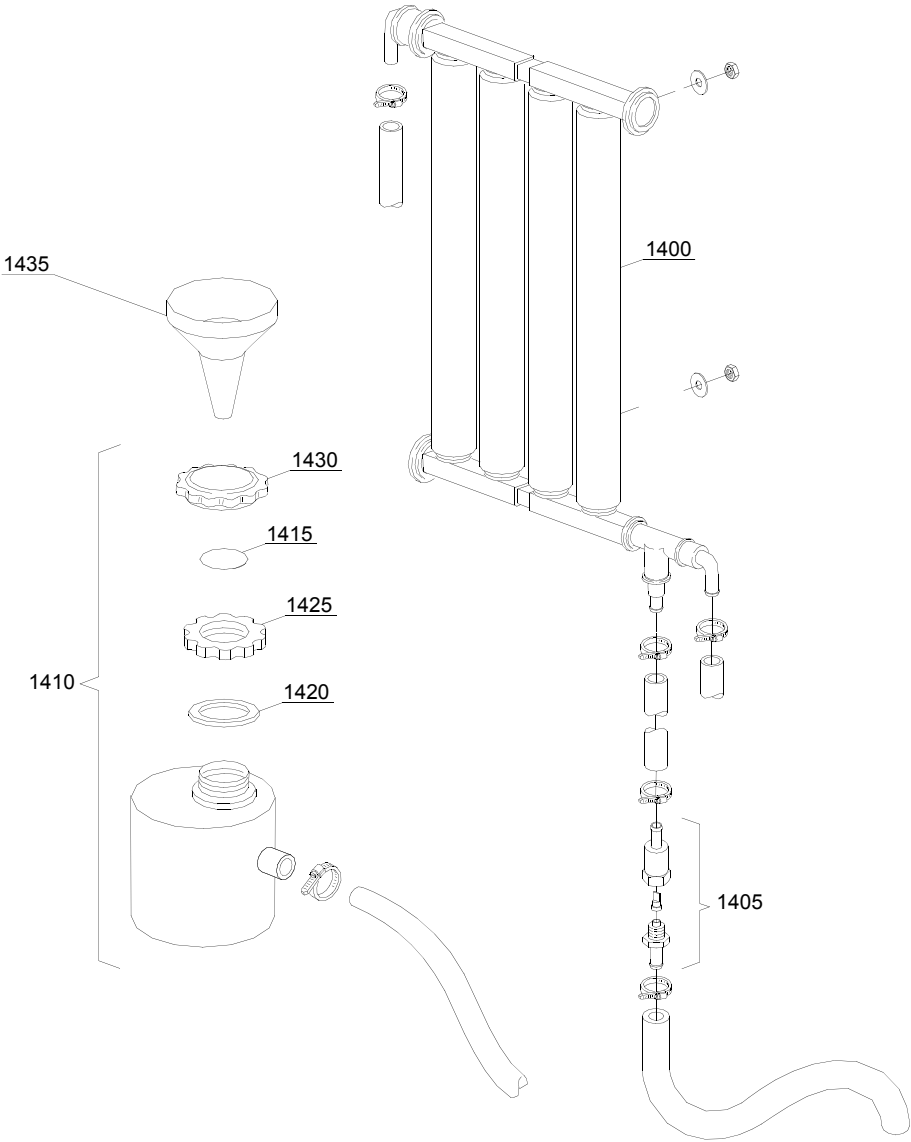
08\_005\_e

**Spare parts**

---

ID	P-code	Model	Type	Accessory	Voltage	Description
MODULE:DVGW						
1300	999900006		H63E	dvgw		DVGW assembly

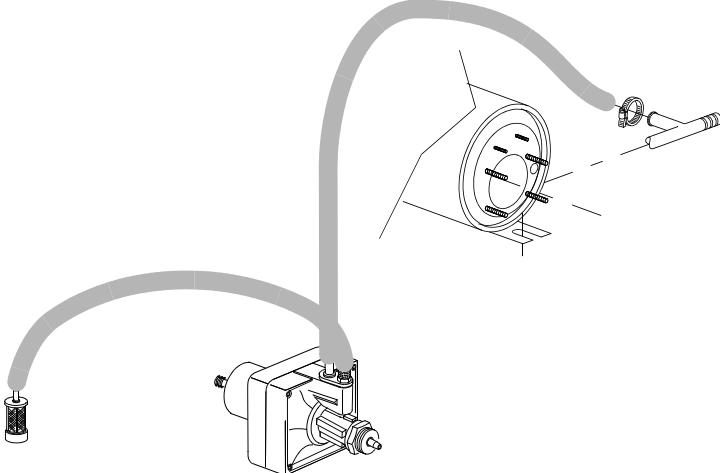
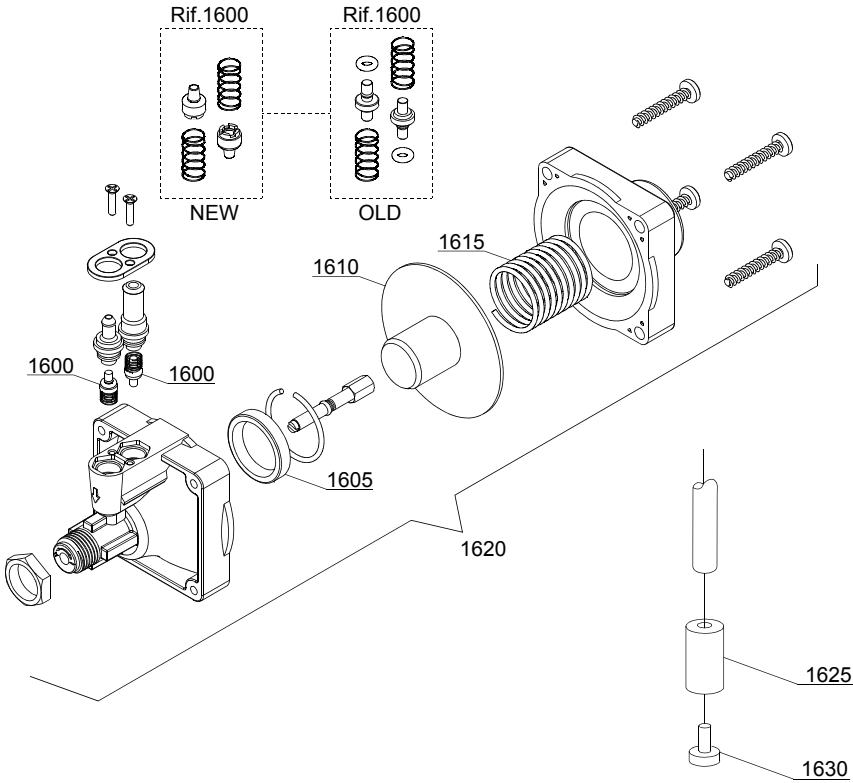
09\_001\_e





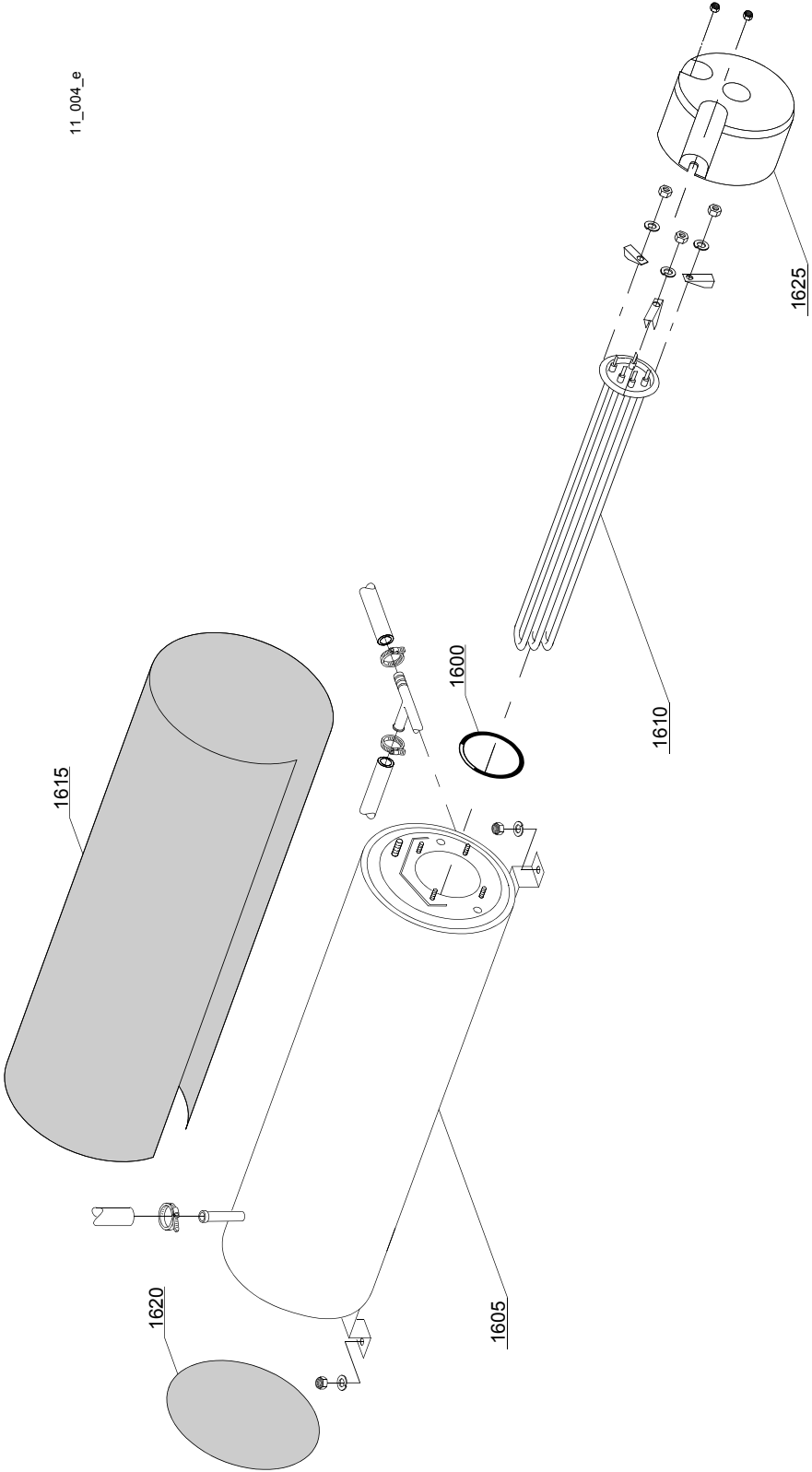
## Spare parts

ID	P-code	Model	Type	Accessory	Voltage	Description
MODULE:Water softner group						
1400	16066		H63E	ws		4 elements water softner
1405	16070		H63E	ws		Nonreturn valve
1410	16065		H63E	ws		Salt container
1415	16067/A		H63E	ws		OR gasket
1420	16067/B		H63E	ws		Gasket
1425	16067/C		H63E	ws		Ring nut
1430	16067/D		H63E	ws		Plug
1435	16082		H63E	ws		Funnel



10\_003\_e

ID	P-code	Model	Type	Accessory	Voltage	Description
MODULE:Shining product dosing device group						
1600	10805		H63E			Tecnopro dosing valve
1605	10806		H63E			Ø22 gasket
1610	10807		H63E			Membrane
1615	10808		H63E			Spring
1620	10599999		H63E			Shining product dosing device
1625	12525		H63E			Counter-weight
1630	15058		H63E			Small filter

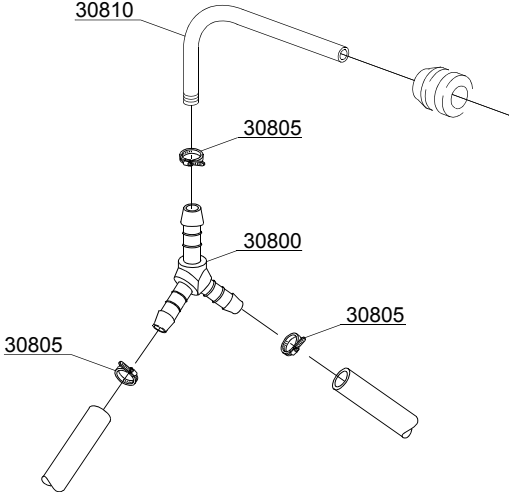


11\_004\_e

## Spare parts

---

ID	P-code	Model	Type	Accessory	Voltage	Description
MODULE:Boiler group						
1600	13015		H63E			6225 OR 160 NBR gasket
1605	22002		H63E			Boiler
1610	30001011		H63E			9KW heating element
1615	30002030		H63E			Insulating boiler
1620	75205		H63E			Ø160 bottom
1625	75311		H63E			Heating element guard

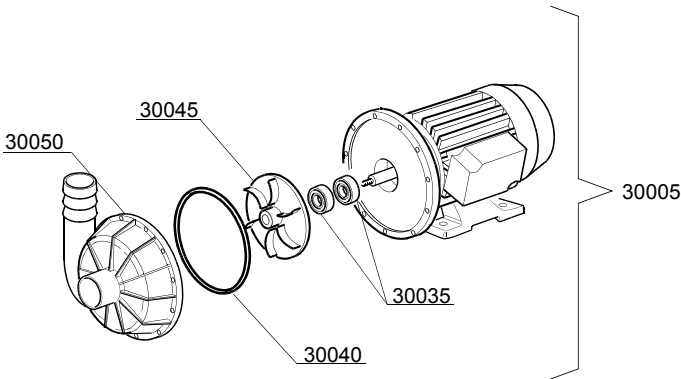
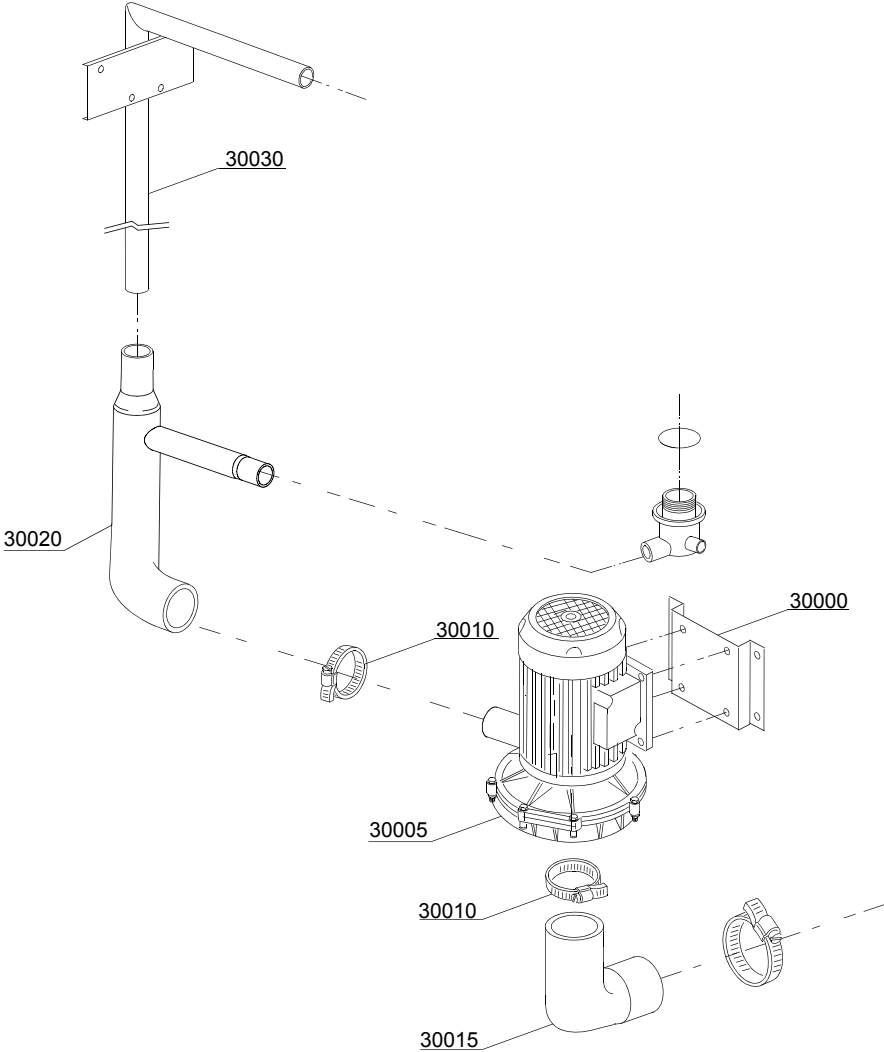


12\_003\_e

## Spare parts

---

ID	P-code	Model	Type	Accessory	Voltage	Description
MODULE:3 ways derivation						
30800	540091		H63E			Ø12 mm plastic 3 ways derivation
30805	11807		H63E			12/22 clamp
30810	15168		H63E			Rinse ramp

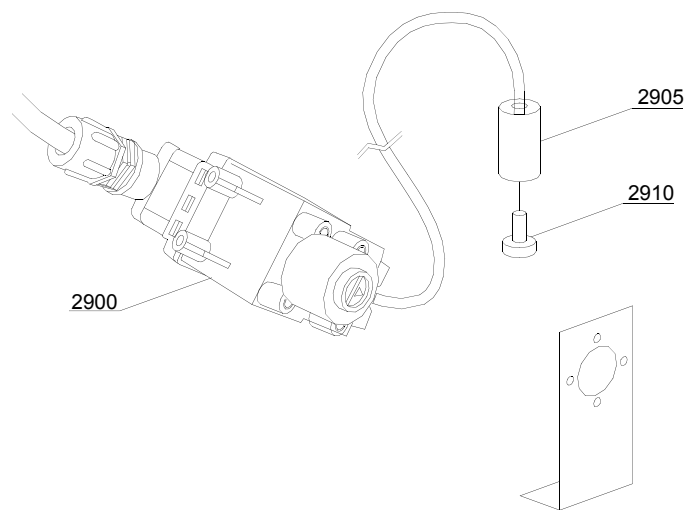
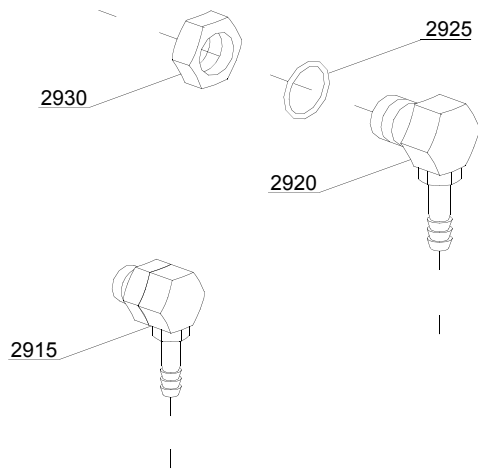




## Spare parts

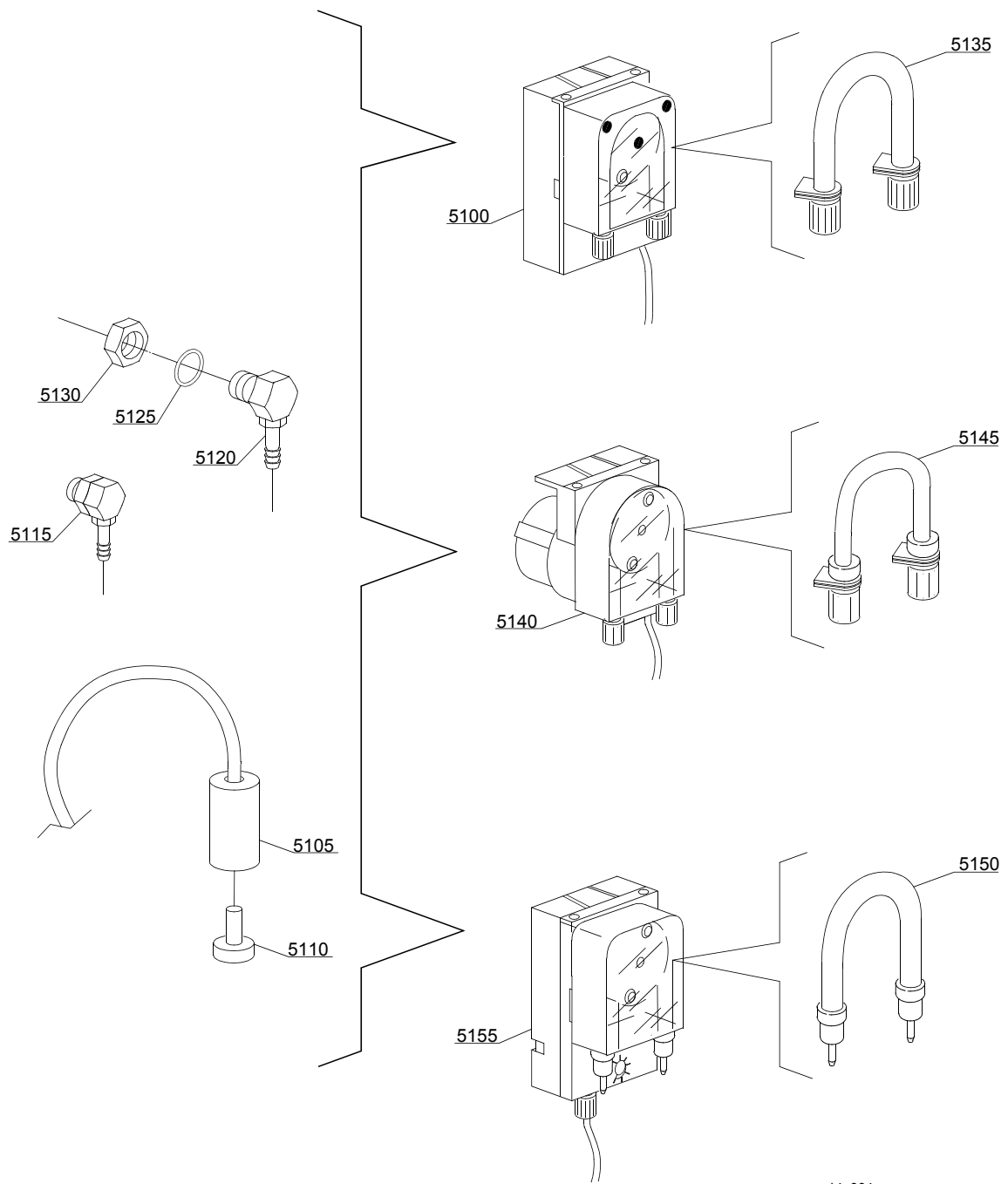
ID	P-code	Model	Type	Accessory	Voltage	Description
MODULE:Wash pump group						
30000	11600623		H63E			Pump support hanger
30005	22037		H63E			2Hp pump
30010	11824		H63E			50/70 clamp
30015	11600100		H63E			Suction pipe coupling
30020	11600101		H63E			Wash ramp delivery side pipe coupling
30025	11809		H63E			30/45 clamp
30030	11600103		H63E			Wash ramp
30035	15080		H63E			Rotating seals
30040	10200290		H63E			OR 1225 gasket
30050	10200222		H63E			Scroll

14\_002\_e



## Spare parts

ID	P-code	Model	Type	Accessory	Voltage	Description
MODULE:Dosing device group						
2900	15108/L		H63E	dd		Lang dosing device
2905	12525		H63E	dd		Counter-weight
2910	15058		H63E	dd		Small filter
2915	15123		H63E	dd		Compleat plastic injector
2920	15148		H63E	dd		Steel injector
2925	15159		H63E	dd		OR gasket
2930	10200205		H63E	dd		M12x1 stainless steel nut

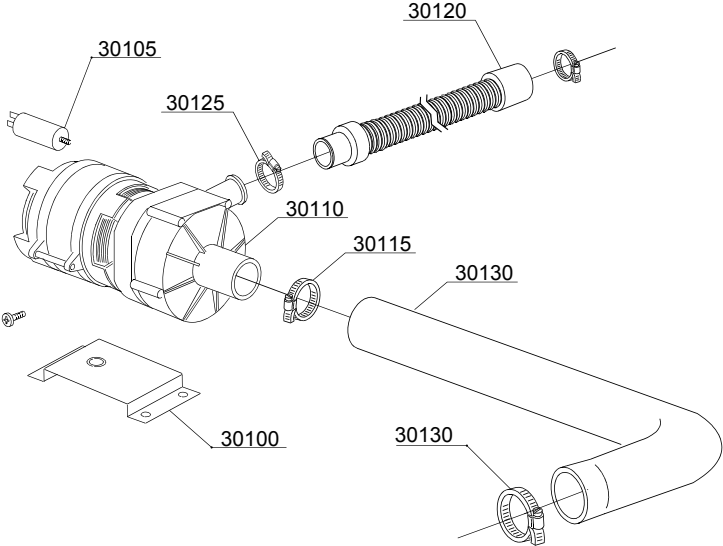


14\_004\_e

## Spare parts

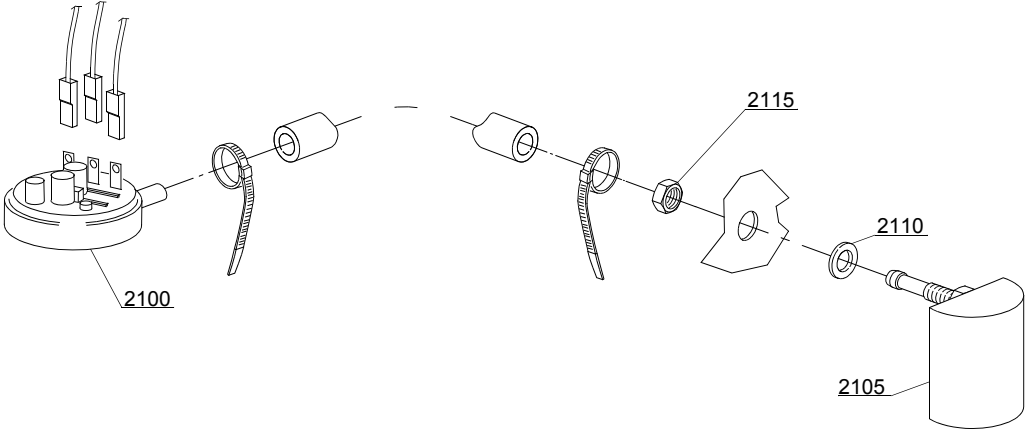
ID	P-code	Model	Type	Accessory	Voltage	Description
MODULE:Dosing device group						
5100	15985		H63E	dd		Seko dosing device
5105	12525		H63E	dd		Counter-weight
5110	15058		H63E	dd		Small filter
5115	15123		H63E	dd		Compleat plastic injector
5120	15148		H63E	dd		Steel injector
5125	15159		H63E	dd		OR gasket
5130	10200205		H63E	dd		M12x1 stainless steel nut
5135	15185		H63E	dd		Ø 10 Seko thermoplastic pipe
5140	15985		H63E	dd		Germac dosing device
5145	15108/E		H63E	dd		Ø 8 Germac thermoplastic pipe
5150	15985/A		H63E	dd		Ø 10 PLAS CONT thermoplastic pipe
5155	15985		H63E	dd		PLAS CONT detergent pipe

15\_005\_e



## Spare parts

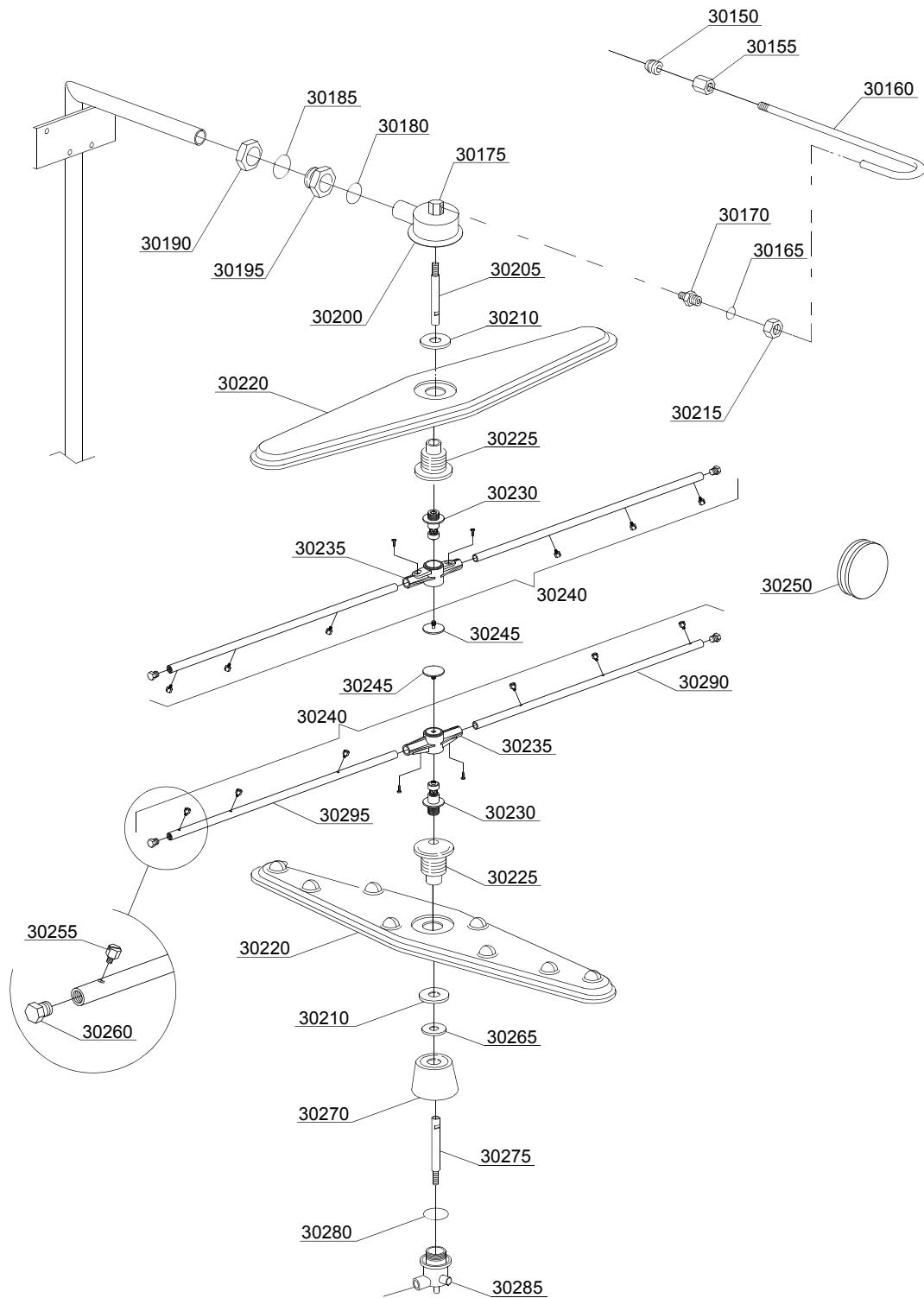
ID	P-code	Model	Type	Accessory	Voltage	Description
MODULE:Drain pump group						
30100	440122		H63E	dp		Pump support
30105	10702		H63E	dp		5 uF condenser
30110	10501/A		H63E	dp		Drain pump
30115	11806		H63E	dp		25/40 clamp
30120	10727		H63E	dp		Drain pipe
30125	11809		H63E	dp		30/45 clamp
30130	18044		H63E	dp		Delivery pipe coupling



16\_001\_e



ID	P-code	Model	Type	Accessory	Voltage	Description
MODULE:Pressure switch group with air trap						
2100	88110		H63E			250-40 pressure switch
2105	10911		H63E			Air trap assembly
2110	13301		H63E			Gasket
2115	11702		H63E			M8 stainless steel nut



## Spare parts

ID	P-code	Model	Type	Accessory	Voltage	Description
MODULE:Turret group with rotating arms						
30150	13304		H63E			Pipe-pass gasket
30155	12526		H63E			Stainless steel pipe coupling
30160	75066		H63E			Top rinse ramp
30165	13003		H63E			OR 112 NBR gasket
30170	12006		H63E			Ø10 rinse pipe fitting
30175	75319		H63E			Rinse elbow
30180	13004		H63E			OR 3137 NBR gasket
30185	13008		H63E			OR 147 NBR gasket
30190	15042/A		H63E			Nut
30195	15042		H63E			1" 1/4 ring nut
30200	78001		H63E			Stainless steel turret for rotor
30205	75322		H63E			Top rinse axle extension
30210	75317		H63E			Nut for hub
30215	12006/A		H63E			Ø10 pipe fitting 3/8x3,5 nut 19 hexagonal
30220	10600900		H63E			Wash rotor
30225	75320		H63E			Hub for rotor
30230	10651		H63E			Rinse axle
30235	10650		H63E			Rinse rotor
30240	75918		H63E			Top/lower rinse group
30245	10652		H63E			Rinse screw
30250	13316/A		H63E			DVGW hole gasket
30255	560018		H63E			Stainless steel rinse nozzle
30260	560017		H63E			Rinse arm plug
30265	11600033		H63E			Reduction flow ring
30270	11600007		H63E			Lower turret
30275	11600021		H63E			Lower rinse axle
30280	13015		H63E			6225 OR 160 NBR gasket
30285	500621		H63E			Lower turret
30290	10657		H63E			Right rinse arm - stainless steel nozzle
30295	10658		H63E			Left rinse arm - stainless steel nozzle