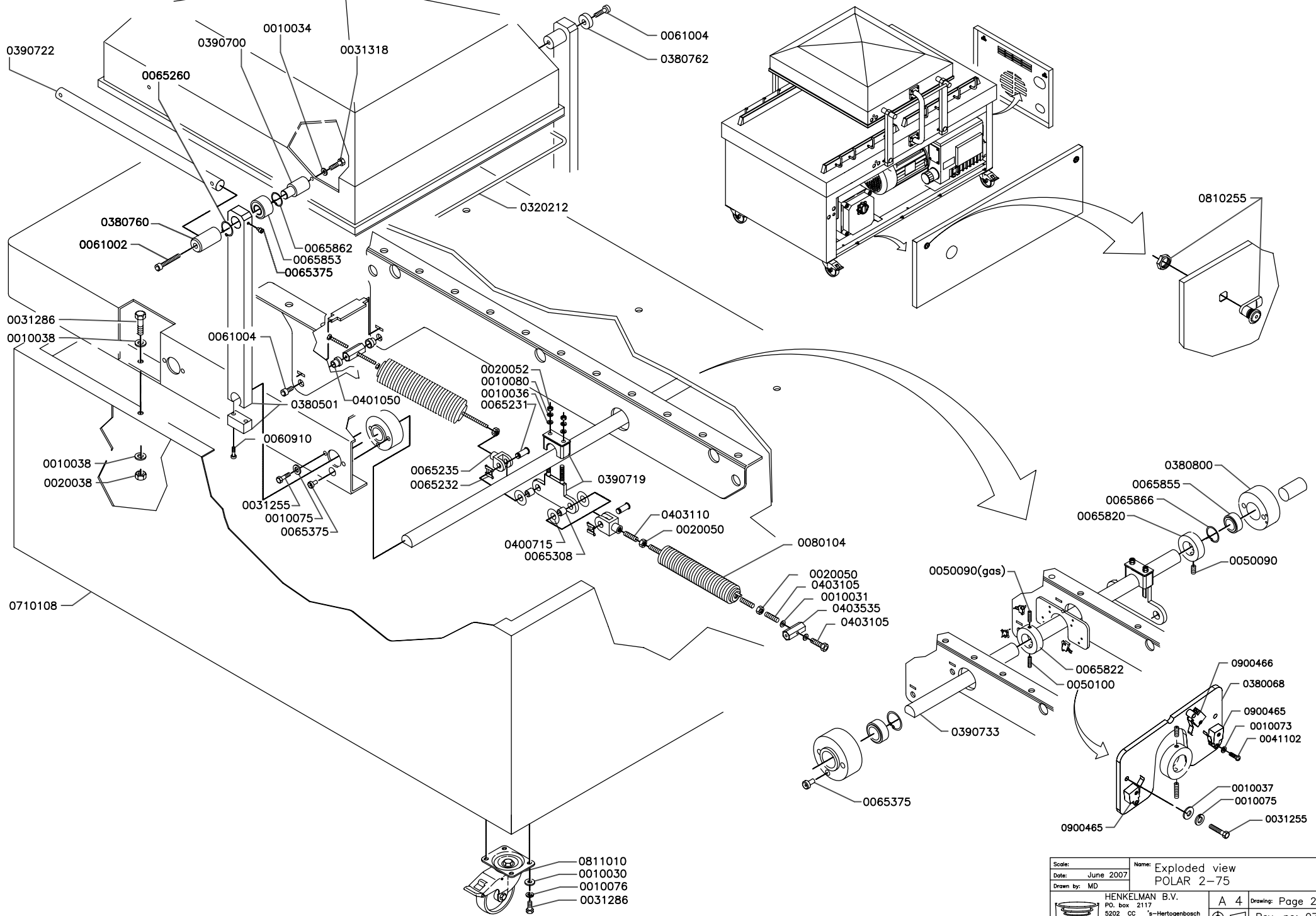


Scale:	Name: Exploded view
Date: Jan 2009	POLAR 2-75
Drawn by: MD	
HENKELMAN B.V. P.O. box 2117 5202 CC 's-Hertogenbosch Tel. ++31(0)73 - 6213671 Fax ++31(0)73 - 6221318 The Netherlands	
A 4	Drawing: Page 1-4
Rev. no: 060	
<small>Ownership, liability, warranty, maintenance or information is tied to parts in any form is not permitted without written permission of the owner.</small>	



0390722

0390700

0010034

0031318

0061004

0380762

0065260

0380760

0061002

0065862

0065853

0065375

0320212

0031286

0010038

0061004

0020052

0010080

0010036

0065231

0401050

0380501

0060910

0010038

0020038

0065235

0065232

0390719

0403110

0020050

0031255

0010075

0065375

0400715

0065308

0080104

0020050

0403105

0010031

0403535

0403105

0710108

0050090(gas)

0380800

0065855

0065866

0065820

0050090

0065822

0050100

0900466

0380068

0900465

0010073

0041102

0065375

0900465

0010037

0010075

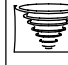

0031255

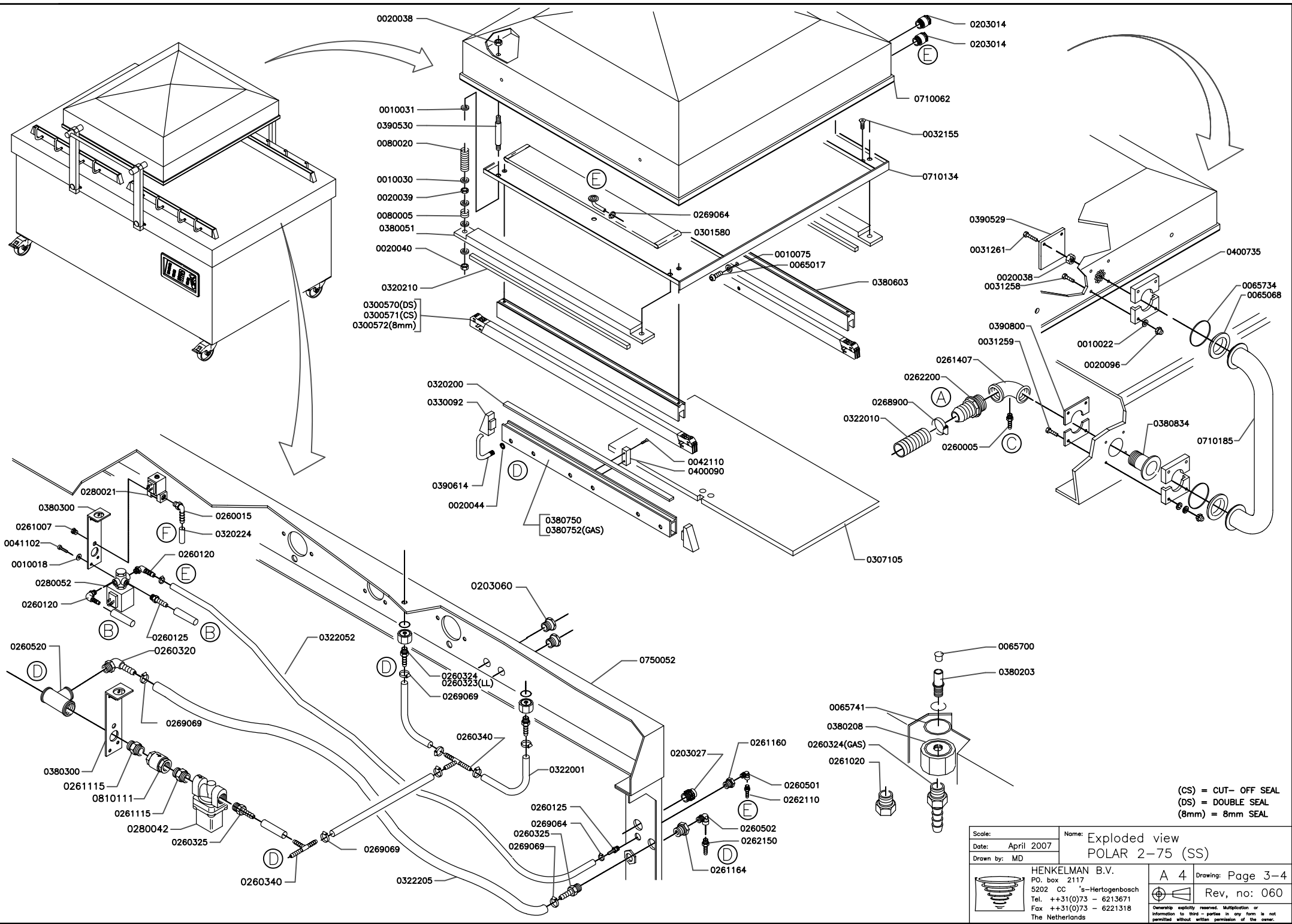
0811010

0010030

0010076

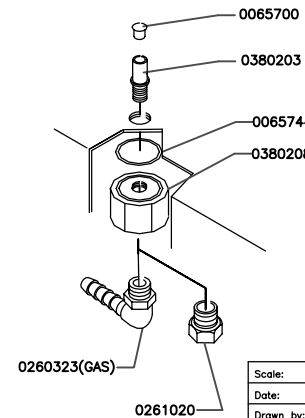
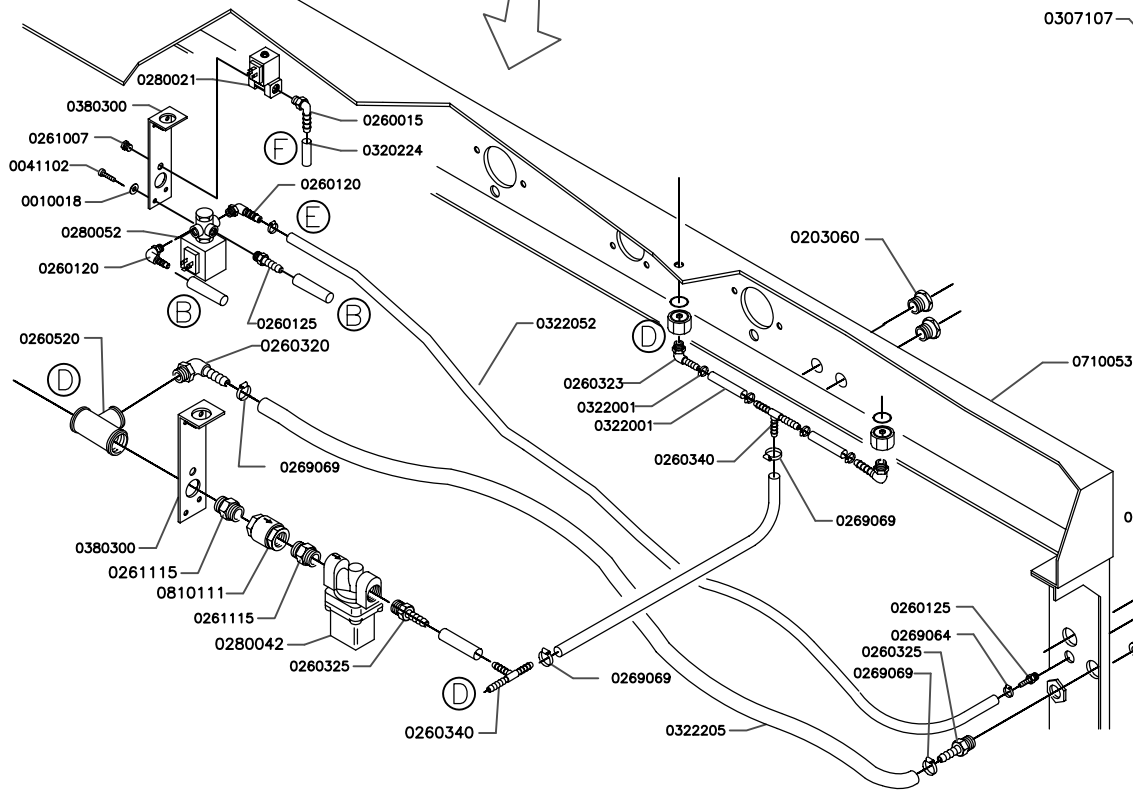
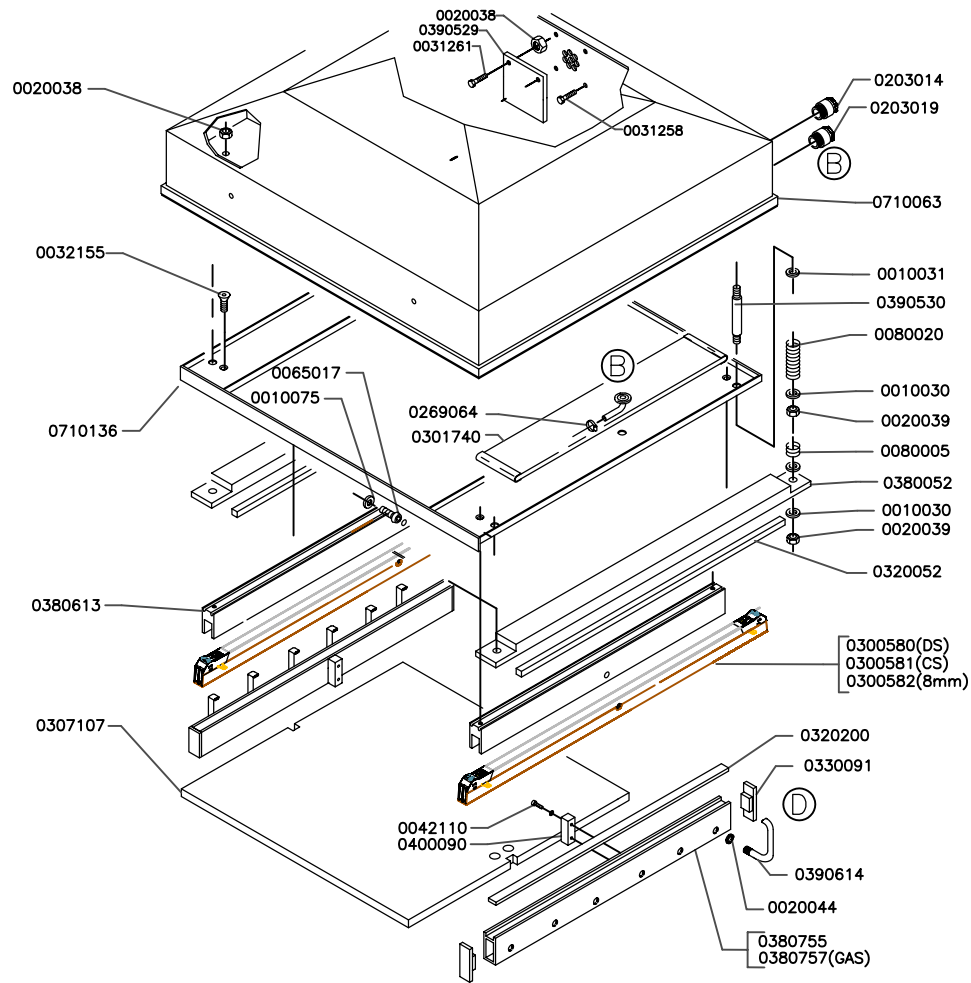
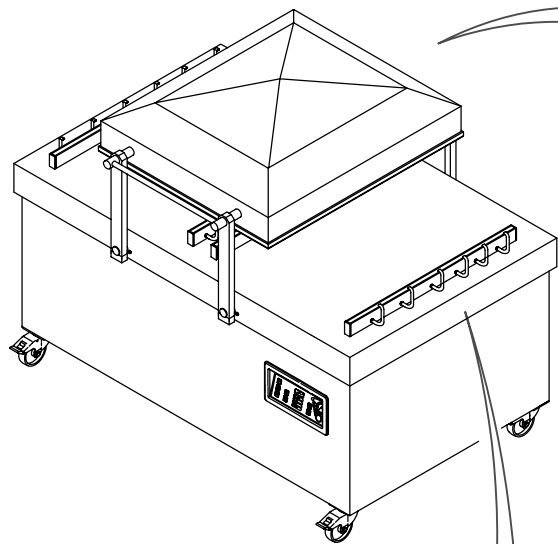
0031286

Scale:	Name: Exploded view
Date: June 2007	POLAR 2-75
Drawn by: MD	
 <b>HENKELMAN B.V.</b> P.O. box 2117 5202 CC s-Hertogenbosch Tel. ++31(0)73 - 6213671 Fax ++31(0)73 - 6221318 The Netherlands	
A 4	Drawing: Page 2-4
 Rev, no: 070	
<small>Ownership, liability reserved. Multiplication or          information in third parties in any form is not          permitted without written permission of the owner.</small>	



(CS) = CUT- OFF SEAL  
 (DS) = DOUBLE SEAL  
 (8mm) = 8mm SEAL

Scale:	Name: Exploded view
Date: April 2007	POLAR 2-75 (SS)
Drawn by: MD	
HENKELMAN B.V. P.O. box 2117 5202 CC 's-Hertogenbosch Tel. ++31(0)73 - 6213671 Fax ++31(0)73 - 6221318 The Netherlands	
A 4	Drawing: Page 3-4
Rev. no: 060 <small>Ownership explicitly reserved. Multiplication or information to third parties in any form is not permitted without written permission of the owner.</small>	



(CS) = CUT-OFF SEAL  
 (DS) = DOUBLE SEAL  
 (8mm) = 8mm SEAL

Scale:	Name: Exploded view
Date: Jan 2009	POLAR 2-75 (LL)
Drawn by: RVD	
HENKELMAN B.V. P.O. box 2117 5202 CC 's-Hertogenbosch Tel. ++31(0)73 - 6213671 Fax ++31(0)73 - 6221318 The Netherlands	A 4 Drawing: Page 4-4
	Rev. no:
<small>Ownership explicitly reserved. Multiplication or information to third parties in any form is not permitted without written permission of the owner.</small>	