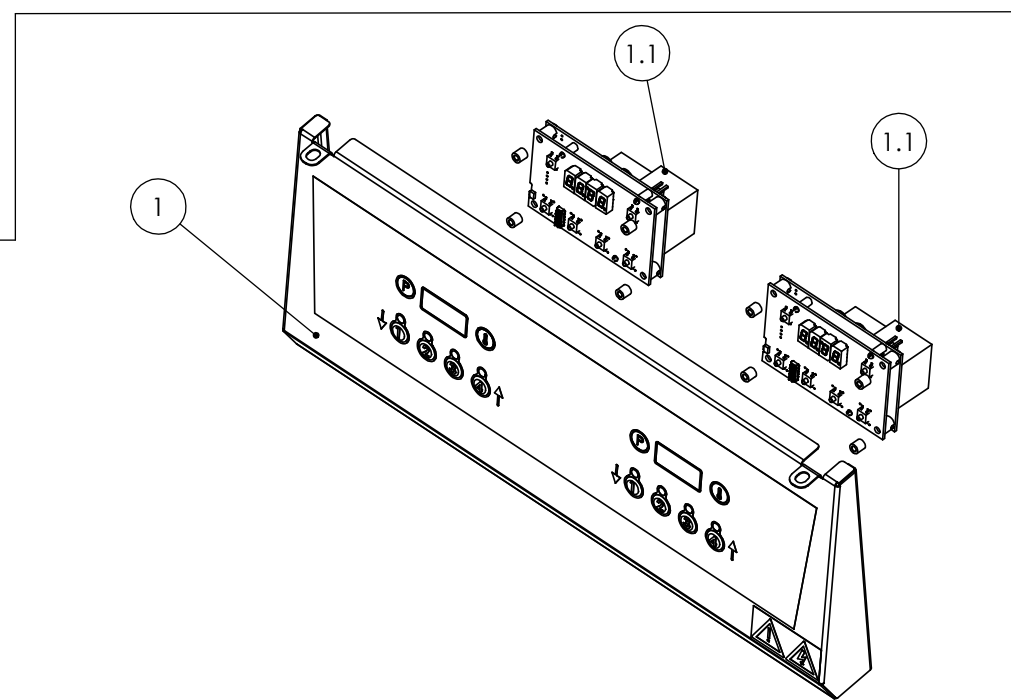
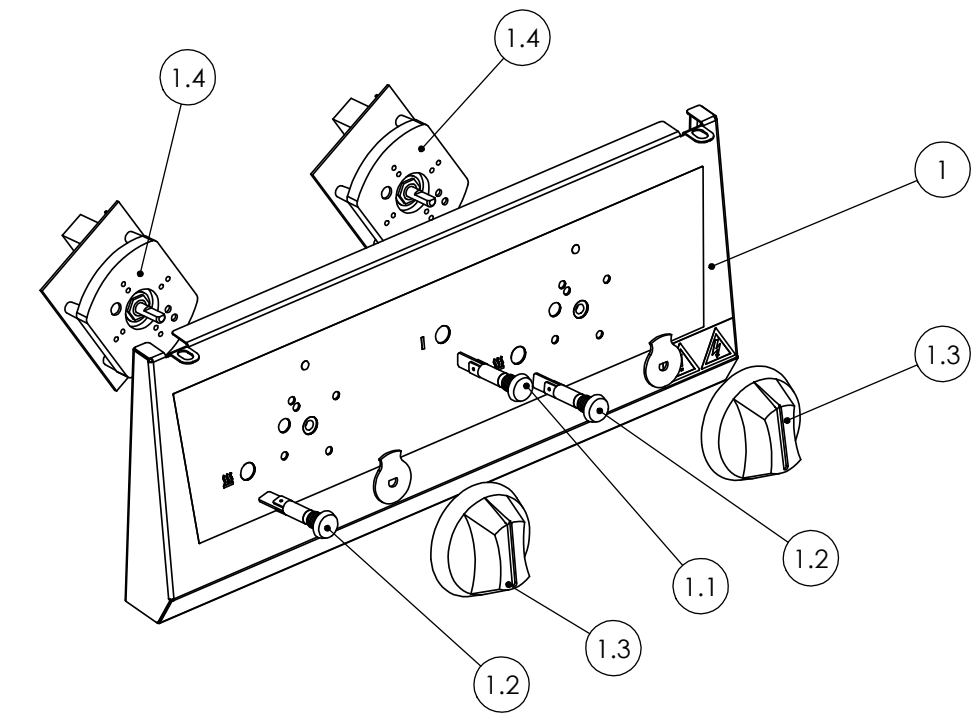


400 Series Fryers

E421 CONTROL PANEL

ITEM	DESCRIPTION	SPARES No.
1	CONTROL PANEL ASSEMBLY	731421010
1.1	RED NEON	735010370
1.2	AMBER NEON	735010380
1.3	CONTROL KNOB C/W STOP	731350001
1.4	CONTROLLER	731350002



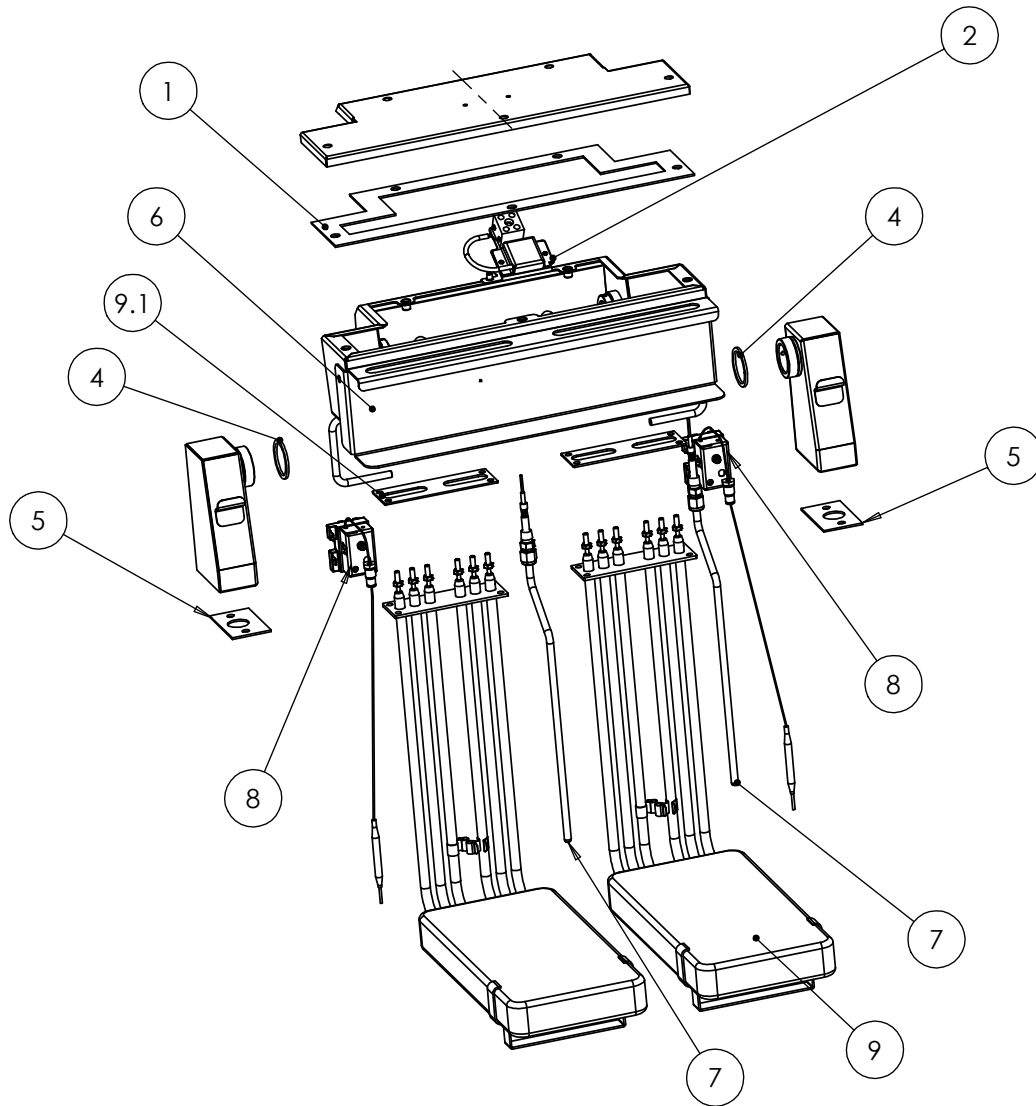
E422 CONTROL PANEL

ITEM	DESCRIPTION	SPARES No.
1	CONTROL PANEL ASSEMBLY	731430002
1.1	CONTROLLER C/W SPACER	731430003



Issue	Alteration	Date	Product	Document Reference
A	Initial Issue	09/08/11	E421/E422	AD49260

400 Series Fryers

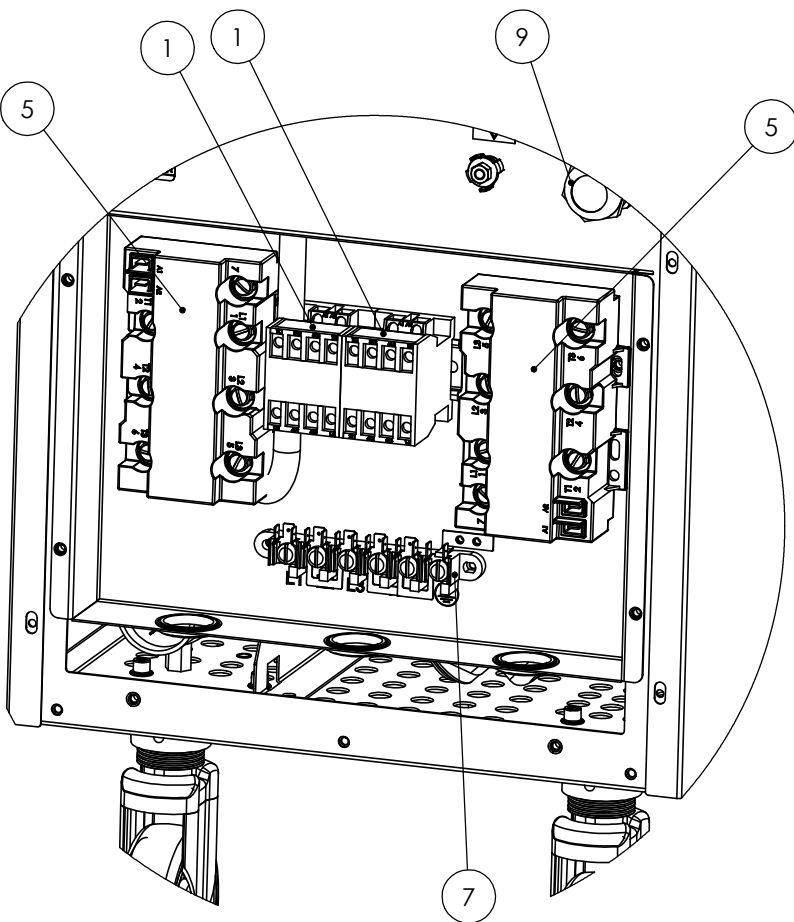


ITEM	DESCRIPTION	SPARES No
1	ELEMENT BOX LID GASKET	731350015
2	TILT SWITCH ASSEMBLY	731350051
3		
4	ELEMENT BOX CABLE GASKET	731350017
5	ELEMENT BOX SUPPORT GASKET	731350018
6	BASKET HANGING RAIL	731350019
7	THERMISTOR PROBE C/W FITTINGS	731350020
8	SAFETY STAT C/W FITTINGS	731350021
9	ELEMENT C/W GASKET	731350022
9.1	ELEMENT GASKET	731350023

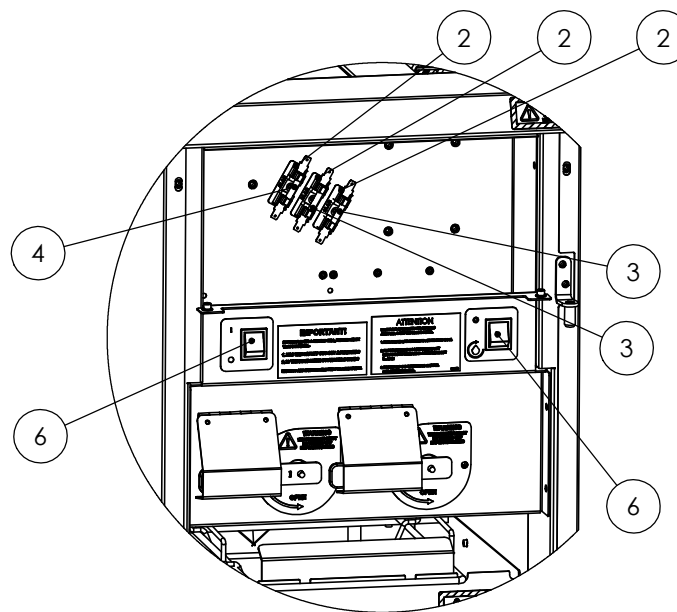


Issue	Alteration	Date	Product	Document Reference
B	Initial Issue	09/08/11	E421/E422	AD49190

400 Series Fryers

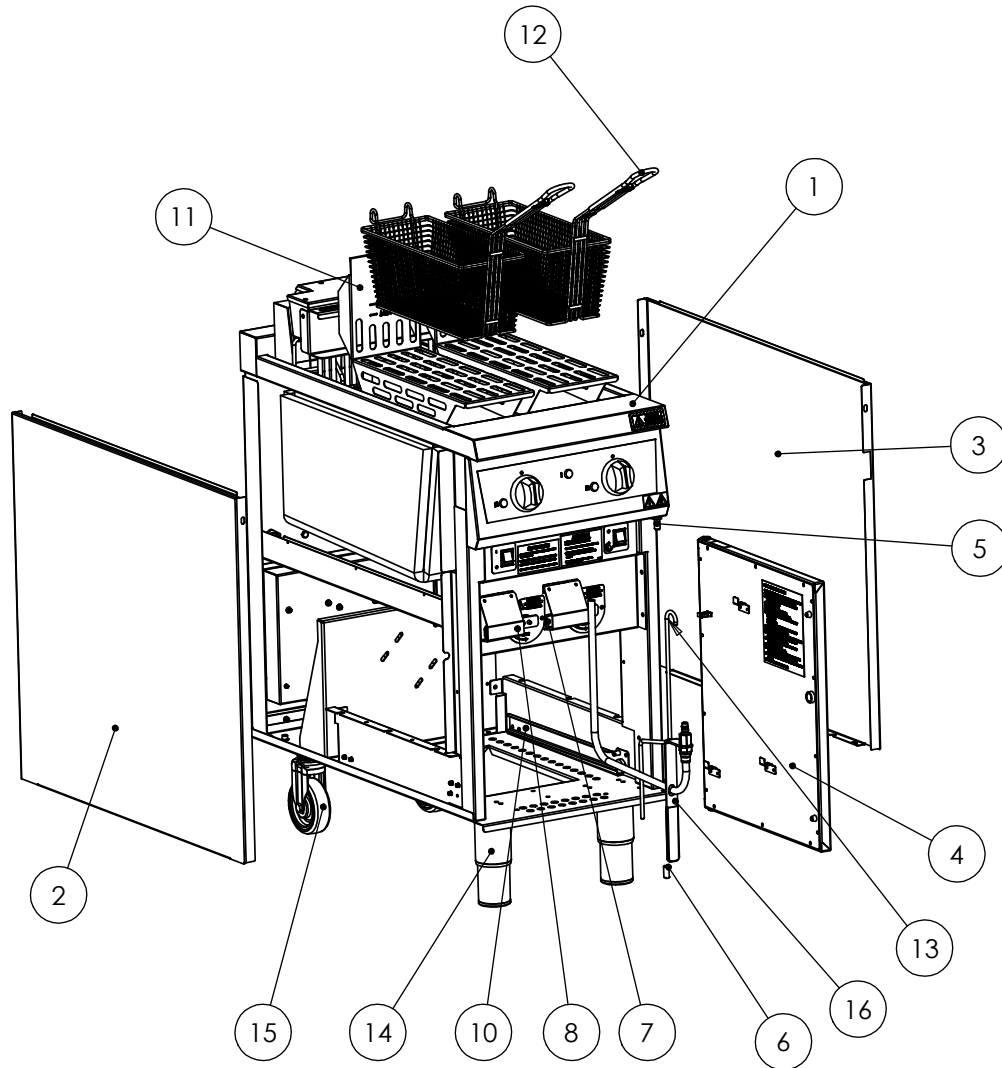


ITEM	DESCRIPTION	UNIT	SPARES No
1	CONTACTOR		734310440
2	FUSE HOLDER		734310510
3	2 AMP ANTI-SURGE FUSE		731050002
4	5 AMP ANTI-SURGE FUSE	FILTER MODELS ONLY	536430009
5	SOLID STATE POWER SWITCH		731350024
6	ROCKER SWITCH		732950006
7	MAINS TERMINAL BLOCK		731000006
8	MAINS INLET CABLE (NOT SHOWN)		731350025
9	MAINS INLET CABLE GLAND C/W NUT		731350026
10	MAIN WIRING LOOM (NOT SHOWN)	FILTER MODELS ONLY	731421004
11	MAIN WIRING LOOM (NOT SHOWN)	NON-FILTER MODELS	731420001
12	CONTROL PANEL WIRING LOOM (NOT SHOWN)	421 ONLY	731420002
13	CONTROL PANEL WIRING LOOM (NOT SHOWN)	422 ONLY	731430001



Issue	Alteration	Date	Product	Document Reference
A	Initial Issue	09/08/11	E421/E422	AD49192

400 Series Fryers

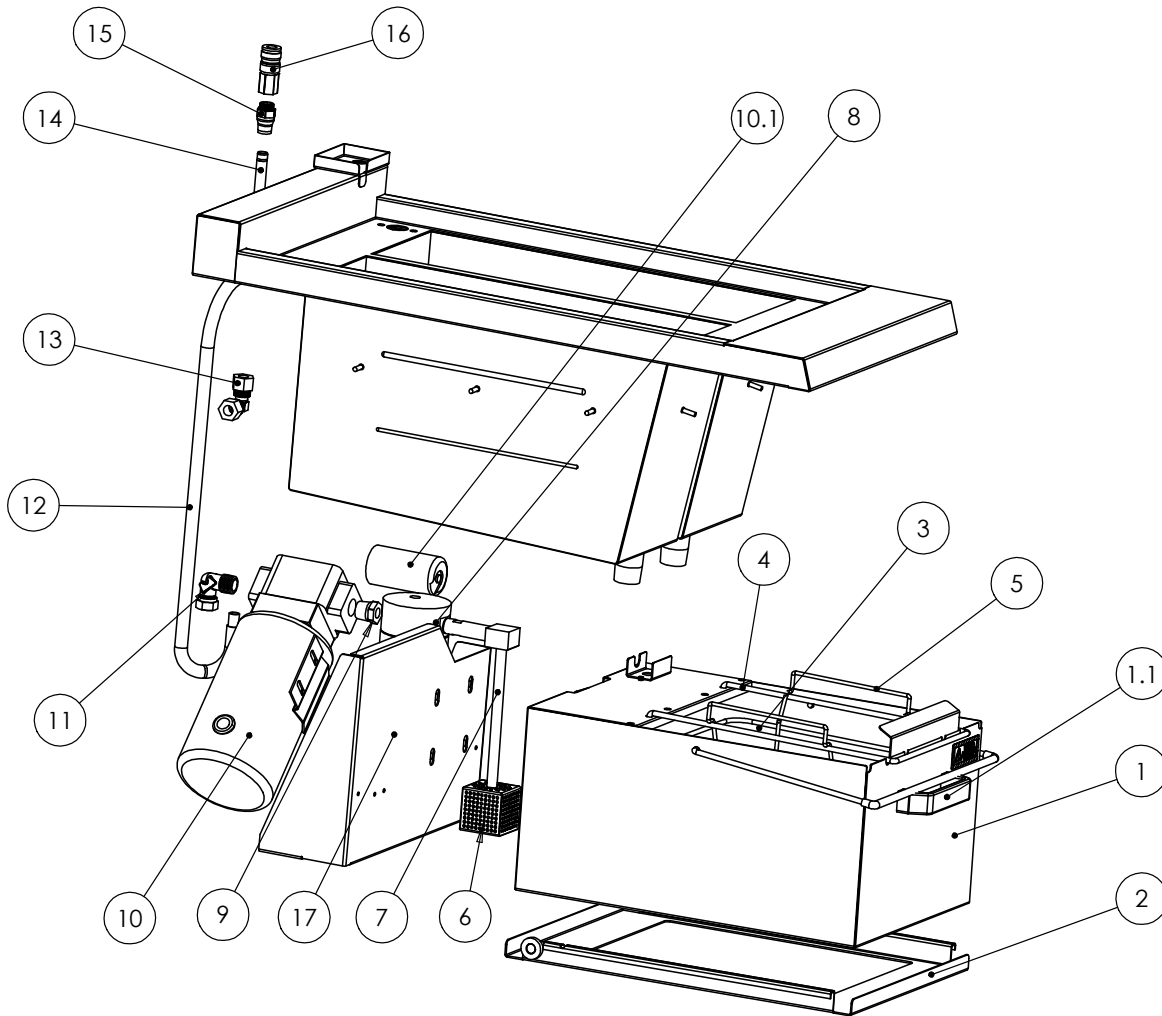


ITEM	DESCRIPTION	SPARES No
1	HOB / PAN ASSEMBLY C/W DRAIN VALVE	731421005
2	LH OUTER SIDE	731350004
3	RH OUTER SIDE	731350005
4	DOOR ASSEMBLY	731421006
5	TOP DOOR HINGE	536430108
6	BOTTOM DOOR HINGE PIN	536430109
7	DRAIN HANDLE	731421007
8	DRAIN HANDLE FLAP	731350008
9	LH BUCKET RUNNER (NOT SHOWN)	731350009
10	RH BUCKET RUNNER	731350010
11	ELEMENT GUARD	731421008
12	CHIP BASKET	536430126
13	DRAIN PROD / LIFTING TOOL	731350012
14	ADJUSTABLE FEET	731350013
15	CASTORS	731350014
16	Oil Return Pipe Assy	731421009



Issue	Alteration	Date	Product	Document Reference
A	Initial Issue	09/08/11	E421/E422	AD49253

400 Series Fryers



ITEM	DESCRIPTION	SPARES No
1	OIL CONTAINER ASSEMBLY	731350056
1.1	OIL CONTAINER FRONT HANDLE	731350030
2	OIL CONTAINER CARRIER	535770028
3	FINE MESH FILTER	737101159
4	FINE MESH FILTER WIRE SUPPORT	737101143
5	BASKET FILTER	731350031
6	SUCTION PIPE FILTER	731350032
7	SUCTION PIPE C/W 'O' RING	731350033
7.1	SUCTION PIPE 'O' RING (NOT SHOWN)	731350034
8	OIL INLET NOZZLE C/W WASHER	731350035
9	REDUCER	731350036
10	OIL PUMP	731350037
10.1	OIL PUMP CAPACITOR	731350038
11	PUMP ELBOW	536300039
12	OIL PUMP OUTLET PIPE	537950190
13	OIL RETURN ELBOW	536300040
14	S/S RIGID OIL PIPE	731421001
15	PUSH IN FITTING 3/8" MALE	731421002
16	QUICK RELEASE CONNECTOR 3/8"	731420003
17	PUMP GASKET	731350047



Issue	Alteration	Date	Product	Document Reference
B	Initial Issue	09/08/11	E421/E422	AD49258