

E350/37 Fryer - Body and Pan Fitments

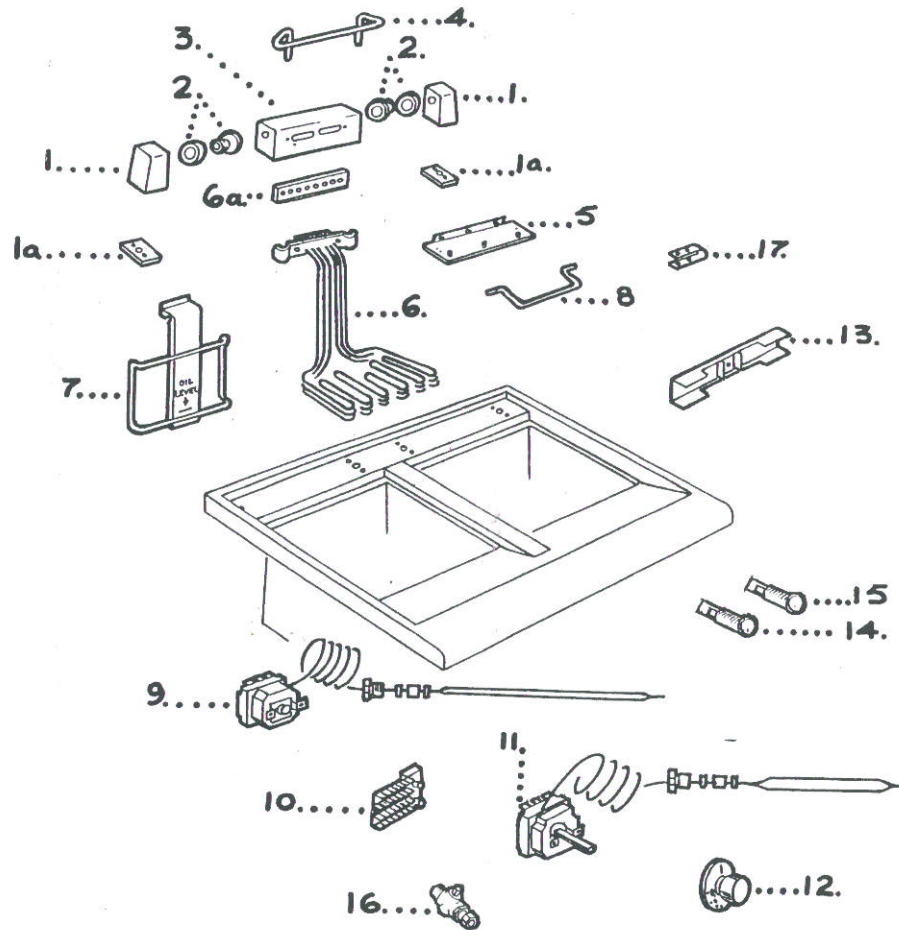
1	539210500	Flue rear trim
2	539210510	Flue Grid
3	539211092	Flue Front
4	539210600	Flue trim L.H
5	539210620	Hob Trim L.H
6	539211980	Pan & Hob Assembly (see Note 1 below)
7	539210610	Flue trim R. H
8	539210630	Hob Trim R. H.
9	539211900	Fish Plate
10	539221380	Dust cover assembly
11	539211910	Chip basket
12	539211901	Pan Strainer
13	539211930	Door hinge top
14	539221370	Door assembly R.H. (see Note 2 below)
15	539113240	Magnetic door catch
16	539212020	Control Panel (See Note 2 below)
17	539211940	Door hinge Bottom
18	539215110	Leg c/w Adj. Foot
19a	539211850	Outer Side Panel L.H (see Note 2 below)
19b	539211860	Outer Side Panel R. H. (see Note 2 below)
20	539211870	Door Assembly L.H.

Note 1

Replacement Hob and Pan Assembly will be of the latest manufacture which may have differences from that being replaced. I.e. Appliances prior to 4/11/94 had thermostat phials through the front of the pan. In these instances, the latest thermostats and associated parts will be required to upgrade with the replacement hob and pan

Note 2

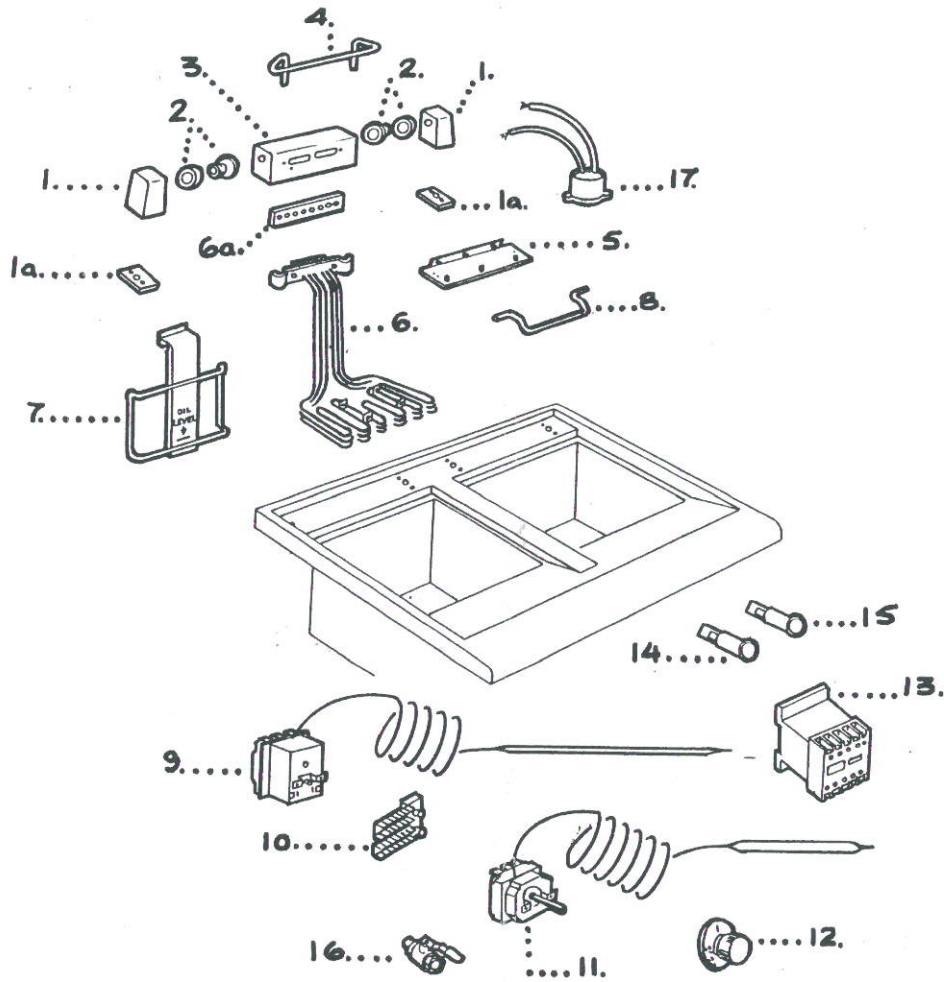
Brown Vitreous Enamel parts and Brown Painted parts are no longer available and the later stainless steel equivalent part will be supplied in lieu.



E350/37 Fryer - Element & Control Fitments (pre 4/11/94)

1	539211780	Element Support Pillar
1a	539113611	Element Support Pillar Gasket
2	539113262	Hinge Bush and Lock Ring
3	539211790	Element Housing
4	539211750	Basket Hanger
5	539211800	Element Housing Base
6	539113260	Element 240v
	539113261	Element 220v
6a	539113265	Element Gasket
7	539212040	Element Shield
7a	539213430	Element Shield clamp
8	539215430	Tilt Bar
9	539113200	Safety Thermostat (pre 3/2/92)
9a	539215860	Safety Thermostat (3/2/92-3/11/94)
10	539110470	Terminal Block L1 & N
10a	539110471	Terminal Block L2 & L3
11	539113210	Operating Thermostat (pre 11/12/88)
11a	539113210	Operating Thermostat (12/12/88-2/2/92)
11b	539215840	Operating Thermostat (3/2/92-3/11/94)
12	539113220	Control Knob
13	539113209	Phial Cover
14	539110440	Indicator Lamp (Red)
15	539110430	Indicator Lamp (Amber)
16	539113250	Drain Valve (See Note 1 below)
17	539215780	Phial Clip

Note 1 The earlier ½" drain valve is no longer available and the later 15mm bore valve will be supplied in lieu.



E350/37 Fryer - Element & Control Fitments (post 4/11/94)

1	539211780	Element Support Pillar
1a	539113611	Element Support Pillar Gasket
2	539113262	Hinge Bush and Lock Ring
3	539211790	Element Housing
4	539211750	Basket Hanger
5	539211800	Element Housing Base
6	539113260	Element 240v
	539113261	Element 220v
6a	539113265	Element Gasket
7	539212040	Element Shield
7a	539213430	Element Shield clamp
8	539215430	Tilt Bar
9	539113830	Safety Thermostat
10	539110470	Terminal Block L1 & N
10a	539110471	Terminal Block L2 & L3
11	539113820	Operating/Control Thermostat
12	539113220	Control Knob
13	539221295	Contactors (from 13/1/97)
14	539110440	Indicator Lamp (Red)
15	539110430	Indicator Lamp (Amber)
16	539113272	Drain Valve
17	539221290	Tilt Switch (from 13/1/97)

539113610