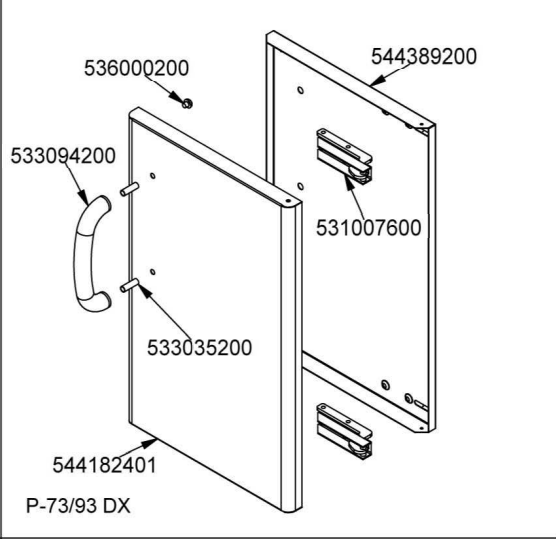
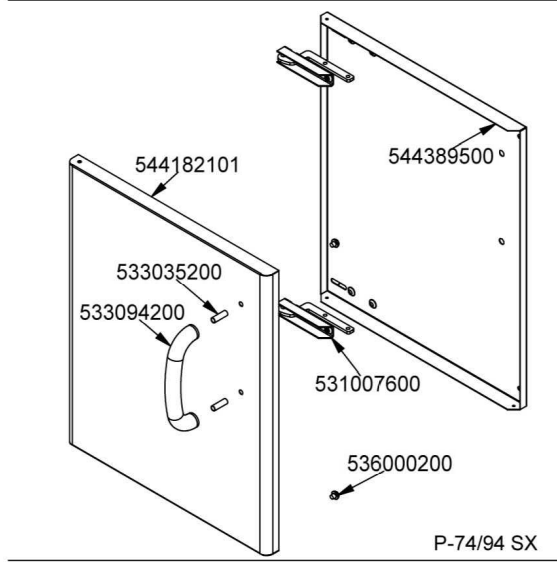


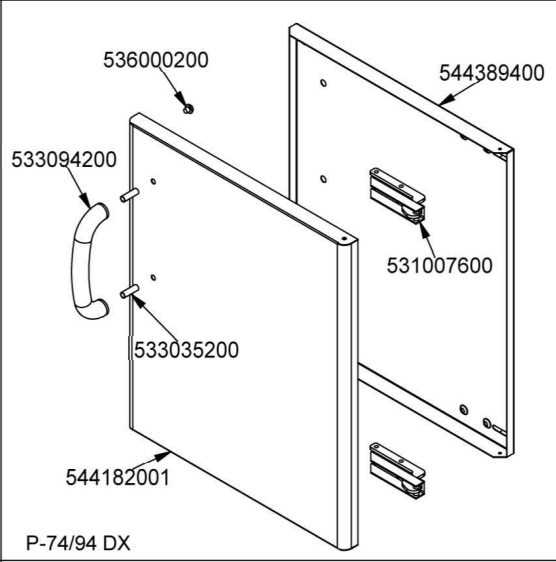
P-73/93 SX



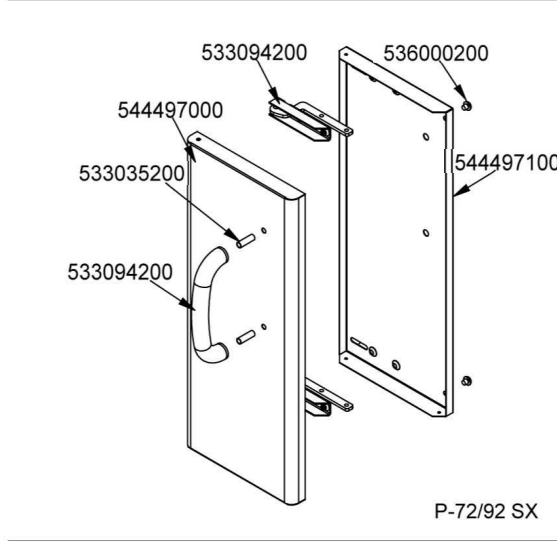
P-73/93 DX



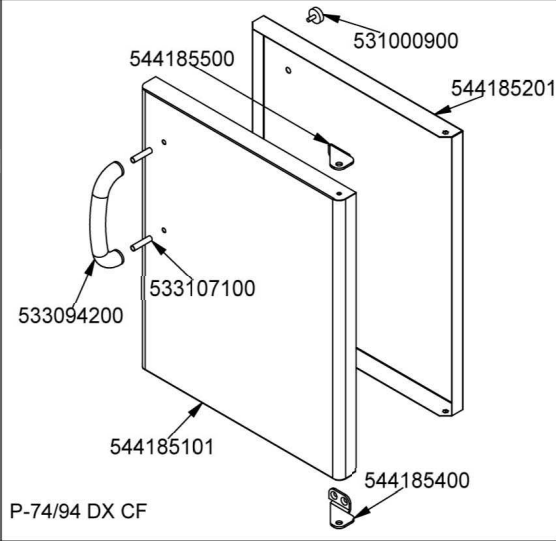
P-74/94 SX



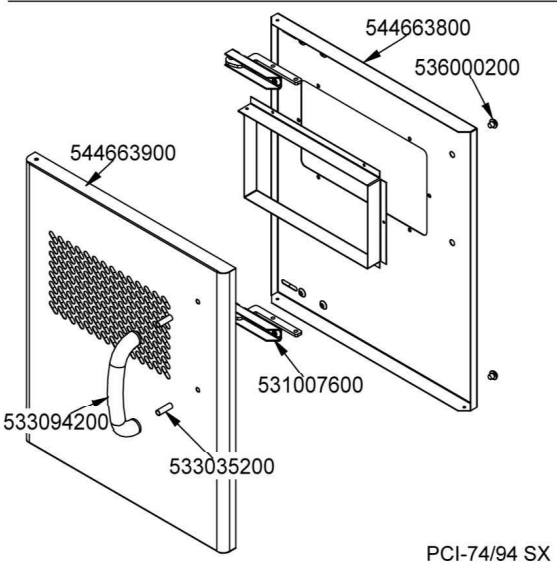
P-74/94 DX



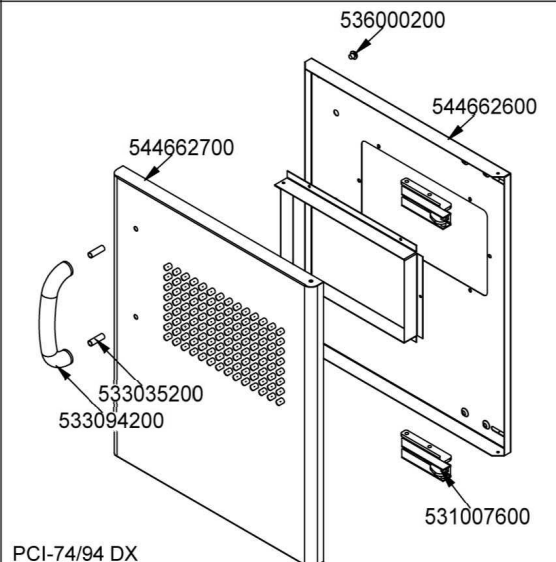
P-72/92 SX



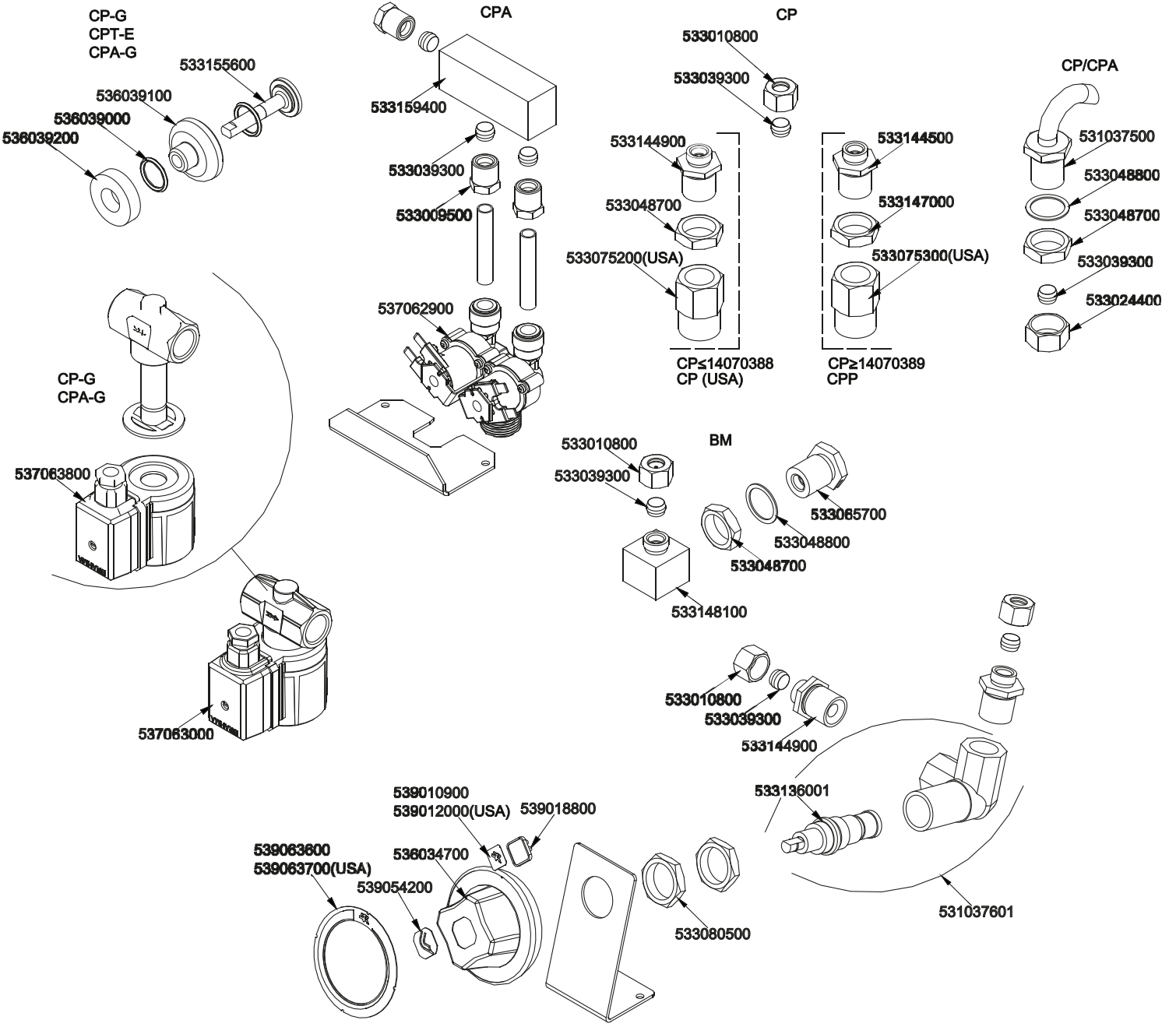
P-74/94 DX CF



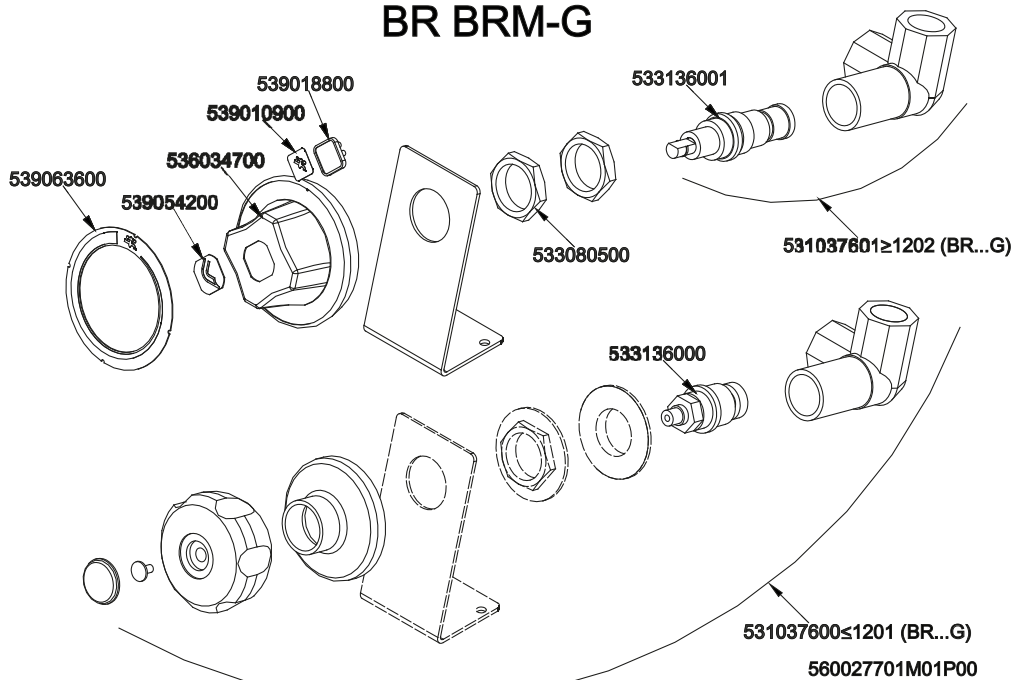
PCI-74/94 SX

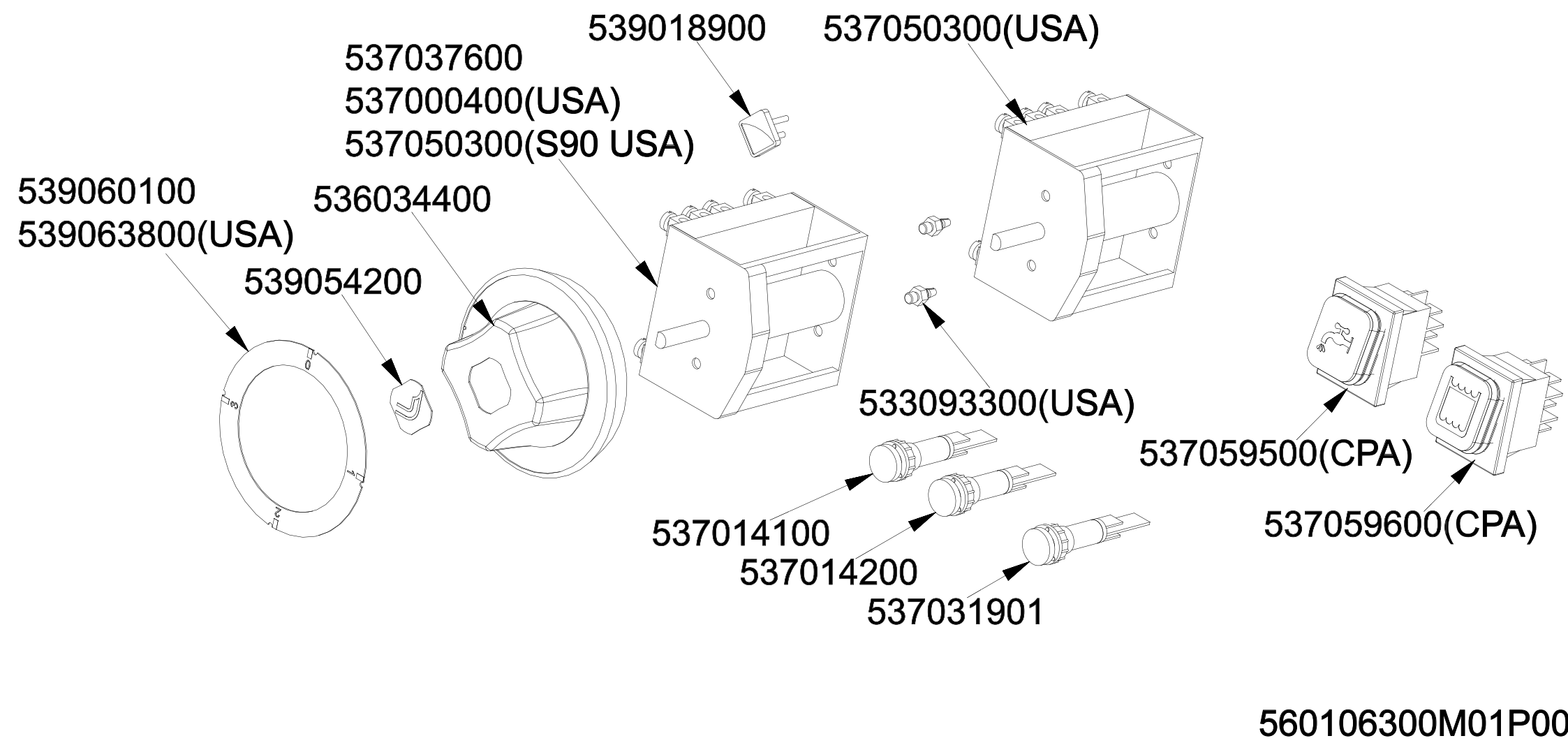


PCI-74/94 DX



### BR BRM-G





Page	Pos	Code	Description
001		541134000	NEUTRAL LOW SPACER 74
001		541135500	NEUTRAL LOW SPACER 760
001		541134200	NEUTRAL LOW SPACER 78
001		531021501	BASKET SUPPORT GRID CP S.70
001		531037701	BASKET SUPPORT GRID CP S.90
001		544412900	BASKET HOLDER FOR DRAINAGE OF CP90
001		544503800	SUPP.CESTO SCOLO CP-76
001		541105503	UPPER PLATE S70 CP-74E (L
001		541320300	ASS.PIANO S70 CPA-74E
001		541157902	UPPER PLATE S70 CP-76E
001		541320500	ASS.PIANO S70 CPA-76E
001		541105603	UPPER PLATE S70 CP-78E (L
001		541320400	ASS.PIANO S70 CPA-78E
001		531042800	SEMISPHERE FILTER
001		546006100	RUBBER TUBE §25INT.*§33EXT.*L=540
001		531018600	BALL VALVE 1"G M-F CPM-62G
001		533157400	FERMO PROLUNGA RUBINETTO 1"G Ø14
001		533157300	PROLUNGA RUB.1"G S90
001		533039900	PIPE HOLDER 1" G M D.24
001		533157500	RACC.A GOM.90° 1 G F.F.
001		537048900	HEATING EL. 9000W 230V 3 ROTAT.EL.
001		537049100	COVERED HEATING ELEMENT CP76 13500W
001		533149500	PROLUNGA 1 G M/M FE ZINC L100
001		533040000	1"G F-F-F "T" FITTING
001		537027400	TERMINAL BLOCK THREEPHASE 40A
001		544173500	LEFT SIDE PANEL S.70
001		537036500	TERMINAL BLOCK 4POLES 40A SCREW-SCR
001		541120501	FRONT PANEL S607090 BM-74/94E
001		541317900	ASS.CRUSC.LT CPA-74E CPA-94E
001		541140801	CONTROL PANEL S607090 CP-76E
001		541318100	ASS.CRUSC.LT CPA-76E CPA-66E
001		541106402	CONTROL PANEL S607090 CP-78E CP-98E
001		541318500	ASS.CRUSC.LT CPA-78E CPA-98E
001		537050401	SAFETY THERMOSTAT 185°C THREEPHASE
001		533044402	M8 THREADED CAP FOR SEC.THERMOSTAT
001		537062800	CENTR.SENS.ACQUA E RAB.CP 230V
001		544173400	RIGHT SIDE PANEL S.70
001		537010100	REMOTE CONTROL SWITCH 20A 230V
001		536005200	INOX LEG 2" 120-180 M10
002		544389300	CONTROP.73 SX APP. LT
002		531007600	DOOR HINGE
002		544182501	LEFT DOOR 73
002		533094200	S/S HANDLE FOR 70/90 SERIES
002		533035200	HANDLE SPACER
002		536000200	D.12 H.4 BUMPER
002		544389200	CONTROP.73 DX APP. LT
002		544182401	RIGHT DOOR 73
002		544182101	LEFT DOOR 74
002		544389500	INNER-DOOR OF LHD 74
002		544389400	CONTROP.74 DX APP. LT
002		544182001	RIGHT DOOR 74

Page	Pos	Code	Description
002		544497000	PORTA 72 SX
002		544497100	CONTROP.72 SX APP. LT
002		533107100	HANDLE SPACER OF CF-70
002		544185500	UPPER DOOR HINGE FOR COMPARTME CF70 12.8
002		531000900	MAGNET §22 KG.3 WITH DISK
002		544185201	INNER DOOR * 74DX
002		544185400	LOWER DOOR HINGE FOR COMPARTME CF70 12.8
002		544663900	LHD 74 DOOR FOR PCI
002		544663800	74 LHD OVEN INNER DOOR FOUR PCI
002		544662700	DOOR 74 DX PCI
002		544662600	CONTROP.74 DX APP. LT PCI
002		544185101	RIGHT DOOR 74 CF
003		533010800	TUBE NUT D.10 M16*1,5
003		533155600	PERNO PER SENSORE ACQUA
003		536039100	GUIDA PER SENSORE ACQUA
003		536039000	GUARNIZ.O-RING 12,42X1,78 SILIC.
003		536039200	DISTANZIALE PER SENSORE ACQUA
003		533039300	BICONE §10
003		533159400	RACC.UN.2 U.ELETTROV.ACQUA CP
003		533144500	FITTING FOR WATER INPUT 3/4G
003		531037500	RACCORD CA.H2O 1/2G CAN.D10
003		533144900	MALE FITTING WATER INLET M16X1,5
003		533048700	NUT 1/2G ZN
003		533048800	GASKET §30*§21*2 FIBRE
003		533147000	BICONE FITTING 3/4G ZN
003		533009500	NIPPLE FOR BICONE 10S
003		533024400	HEXAGONAL NUT 1/2G TUBE D.10
003		537062900	ELETTROV.A.3/4GM-2Ø10JG 230V RPV
003		537063800	COIL ELECTROV.G.1/2GF 230V
003		533065700	FITTING FOR WATER INPUT 1/2G
003		533148100	RACC.A GOM.90° 1/2G F.M16X1,5M. (S
003		537063000	ELETTROV.G.1/2GF-1/2GF 230V
003		539010900	ADHESIVE LABEL FOR DRAIN COCK
003		533136001	SCREW TAP WATER LOAD FOR CP S70/90
003		539012000	ADHESIVE LABEL FOR DRAIN COCK USA
003		539018800	BLANK INDEX FOR KNOB
003		539063600	ADHESIVE DISK 72 FOR DRAIN COCK
003		539063700	ADHESIVE DISK 72 FOR DRAIN COCK USA
003		536034700	KNOB §77 4P. §08*6,5 F§30
003		539054200	STAMP Ø20,5 CR."L" LOTUS R.
003		531037601	TAP FOR WATER 90°DX CP
003		533136000	SCREW TAP WATER LOAD FOR CP S70/90
003		531037600	TAP FOR WATER LOADING 1/2"GF CP 90
004		537050300	COMMUTAT.4POS.3PHASE 43 32A CP UL
004		539018900	INDEX FOR KNOB W/RED SIGN
004		537037600	COMMUTATOR 4 POS.3PHASE S.43 32A
004		537000400	COMMUTATOR 1POS.SINGLEPHASE S49 16A
004		539060100	RED ADESIVE DISK FOR CPT-ET
004		536034400	KNOB §77 4P. §06*4,6 C/M
004		539063800	ADHESIVE DISK 72 4 P.DRAIN COCK USA
004		539054200	STAMP Ø20,5 CR."L" LOTUS R.

<b>Page</b>	<b>Pos</b>	<b>Code</b>	<b>Description</b>
004		533093300	LOCKING PIN SWITCH S.43 THERMOST
004		537014100	WHITE WARNING LIGHT 250V
004		537014200	GREEN WARNING LIGHT 250V
004		537031901	RED WARNING LIGHT PCI 12V E FASTON