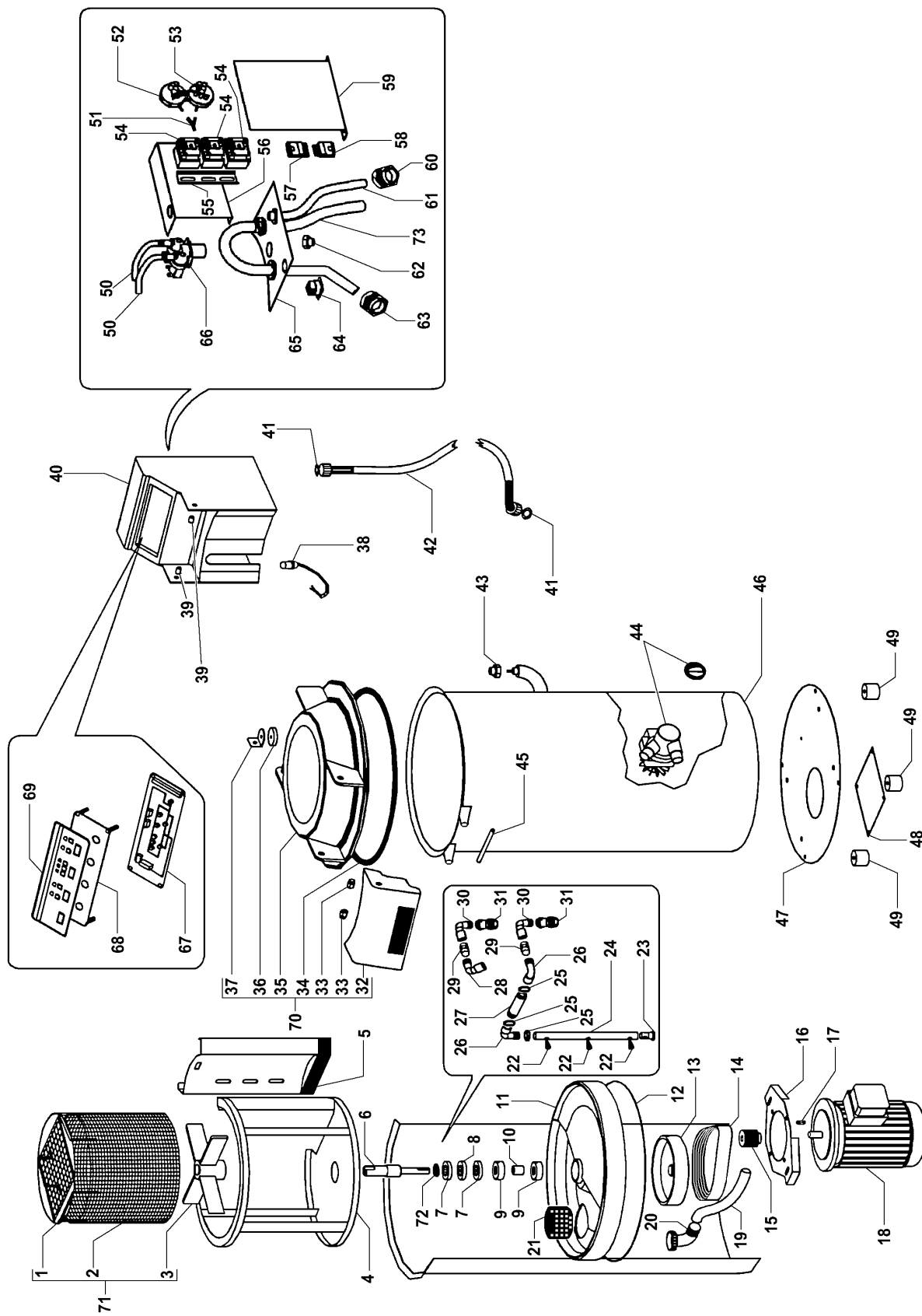


Lavacentrifugaverdure mod.LAV
Vegetable washer & dryer mod.LAV



LAVACENTRIFUGAVERDURE MOD.LAV VEGETABLE WASHER & DRYER MOD.LAV

RIF.	CODICE / CODE	DIN - UNI	DESCRIZIONE / DESCRIPTION
1	36G1540		Coperchio / Cover
2	36G1500		Cestello / Basket
3	36U0060		Supporto / Support
4	35D2650		Fondo / Bottom
5	30Q0870		Filtro / Filter
6	36G1550		Albero / Shaft
7	3151300	28x42x7	Paraolio / Oil seal
8	3190830		Rosetta / Spacer
9	36F0090	6302 2RS	Cuscinetto / Bearing
10	36G5950		Boccola / Bush
11	3601160		Fondo / Bottom
12	3151750		Anello / Ring
13	36G6600		Puleggia mod.PLF-PPF / Pulley mod.PLF-PPF
14	36G6610		Cinghia / Belt
15	36G0030		Puleggia / Pulley
16	35V1230		Staffa / Bracket
17	SL0010	5x5x20	Linguetta / Key
18	32M3130	400V/3Ph/50Hz	Motore trifase / Triple-phase motor
19	33M0440	ø30	Tubo / Hose
20	33Q1670	L90° 1-1/4"F-ø30PVC	Raccordo / Joint
21	30Q1061		Filtro / Filter
22	3300330		Ugello / Nozzle
23	36Q0850		Tappo / Tap
24	35X3050		Tubo / Hose
25	3117580	1/4" CH17	Dado / Nut
26	SL1736	L 90° 1/4" F-F AISI316	Raccordo / Joint
27	SL1738		Tubo / Hose
28	SL1737	L 90° 1/4"M-F AISI316	Raccordo / Joint
29	33Q6210	1/4" M-F	Raccordo / Joint
30	33Q6040	L 90° 1/4" M-F	Raccordo / Joint
31	33Q5180	1/4" M ø12	Portagomma / Cluch
32	36M5090		Maniglia / Handle
33	36D9550		Boccola / Bush
34	37Q7330		Guarnizione / Washer
35	36Z6501		Coperchio / Cover
36	3600310		Magnete / Magnet
37	35V6381		Staffa / Bracket
38	32W3240		Microinterruttore / Microswitch
39	36D7310		Boccola / Bush
40	36Z0690		Cruscotto / Dashboard
41	3151550	ø15xø25x3	Guarnizione / Washer
42	33M0010	3/4" F-F	Tubo / Hose
43	32D1070	PG13	Pressaguaina / Sheathing clamp
44	32M3140	230V/1Ph/50-60Hz	Elettropompa / Electropump
45	36G2040		Perno / Pivot
46	30W0550		Involucro / Housing
47	35D7790		Fondo / Bottom
48	35M0850		Chiusura / Plate
49	36C0800		Piedino / Foot
50	33M0960	ø12	Tubo / Hose
51	33Q5290	ø8 ø8 ø5	Raccordo / Joint
52	32Z0860		Pressostato / Pressure switch
53	32Z4740		Pressostato / Pressure switch
54	32Z4840	230V/50-60Hz 3kW	Teleruttore / Remote control switch
55	32D0630		Profilato / Structural shape
56	35V8601		Setto / Dividing head
57	32D1030	3Ph+N+Gnd - M	Connettore trifase / Triple-phase connector
58	32D1040	3Ph+N+Gnd - F	Connettore trifase / Triple-phase connector
59	35M8840		Chiusura / Plate
60	32D1090	PG21	Pressaguaina / Protective covering clamp
61	SL1218	FP21 L=0,5m.	Guaina / Protective covering
62	32D1080	PG11	Pressaguaina / Protective covering clamp
63	32D1060	PG29	Passaguaina / Sheathing clamp
64	32D0360		Fissacavo / Cable clamp
65	35V8610		Chiusura / Plate
66	33D1641	230V/50-60Hz 3/4" M	Elettrovalvola / Electro-valve
67	32Z3030		Scheda elettronica / electronic card
68	30A3560		Cruscotto / Dashboard
69	37M1650		Pannello adesivo / Adhesive panel
70	6005610		Gruppo Coperchio / Cover (assembly)
71	6005790		Gruppo Cestello / Basket (assembly)
72	3151410	V-30-S	Anello / V-Ring
73	SL1217	FP21 L=2,5m.	Guaina / Protective covering

(*): fuori produzione / out of production