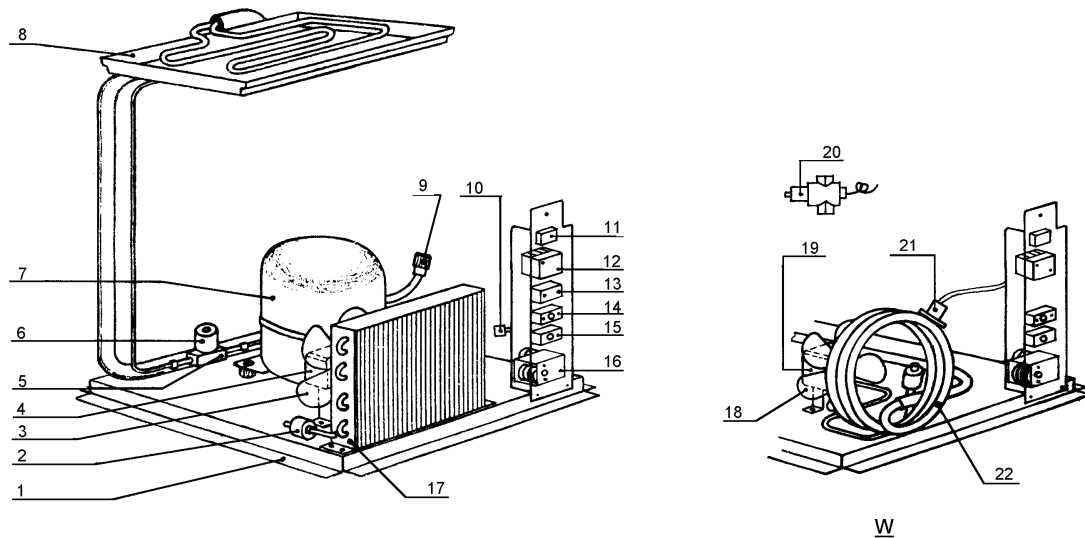


Ref.	Description	Refrigerant	A/W	Tension	Code
1	Foamed cabinet assy				C11086
2	Sprayers bar pipe connection assy				C13036
3	Pump suction filter				20005
4	Sprayers bar assembly				C20144
5	Sprayers bar plug				10012
6	Sprayer				D20002
7	Evaporator basin assembly				C10259
8	Overflow tube assembly				C10133
9	Overflow-discharge connection pipe				10256
10	Plastic nipple water outlet				10007
11	Back grid				D12021
12	Discharges manifold		A		C10006
12	Discharges manifold		W		C26452
13	Inlet watervalue 1 way		A		23108
13	Inlet water valve 2 ways		W		23138
14	Ice cubes slide				D12022
15	Back panel assembly				C21209
16	Evaporator cover				10058
17	Top assembly				C22688
18	Flags support assy				C22134
19	Door assembly				C10275
20	Bulbe thermostat tube				20521
21	Front grid panel				22548
22	Foot h.100 mm				10040
23	Suction impeller				10213
24	Hub+washer+screw				10014
25	Pump motor				23068
26	Pump delivery pipe				13095
27	Pump suction pipe				13096
29	Overflow pipe				13109

Note: Code C10133 from serial no. 62566. Previous serial no. code 13094.
 Code 13109 from serial no. 62566. Previous serial no. code 13094.
 Code 10256 from serial no. 62566. Previous serial no. code 22088.
 Code 20521 from serial no. 94927. Previous serial no. code 20062.

COOLING SYSTEM ASSEMBLY Mod. CB1565 A/W - Cube A (Cod. 24339)



Ref.	Description	Refrigerant	A/W	Tension	Code
1	Base plate				C21210
2	Solid core drier				14084
3	Suction fan		A	1-2	20407
4	Fan motor		A	1-2	23121
5	Hot gas valve body				20409
6	Hot gas coil			1-2	23091
7	Compressor			1	23438
7	Compressor			2	23466
8	Evaporator				D10214
9	Vacuum-charge valve device				14005
9	Vacuum-charge valve plug				14006
9	Vacuum- charge valve body				14007
10	Anti radio interference filter		A	1	23459
11	Green light switch				23327
12	Contacteur				23594
13	Condenser pressure switch		A		23175
14	Bin thermostat				23005
15	Evaporator thermostat				23591
16	Timer			1	23247
16	Timer			2	23222
17	Air condenser		A		20426
18	Suction impeller		W		10213
19	Fan motor		W		23029
20	Pressure valve		W		20210
21	Safety thermostat		W		C23114
22	Water condenser		W		14081

Note: Code 20426 from serial no. 42926. Before Code 20148.
Code 20407 from serial no. 42926. Before Code 20153.

Erklärung zu Ersatzteillisten in den Spalten Tension-Spannung

1	Spannung	220-240V	50Hz
2	Spannung	220-230V	60Hz
3	Spannung	110 115V	60Hz
4	Spannung	230V3P	50Hz
5	Spannung	400V	50Hz
6	Spannung	220-230V3P	60Hz
7	Spannung	440-460V3P	60Hz