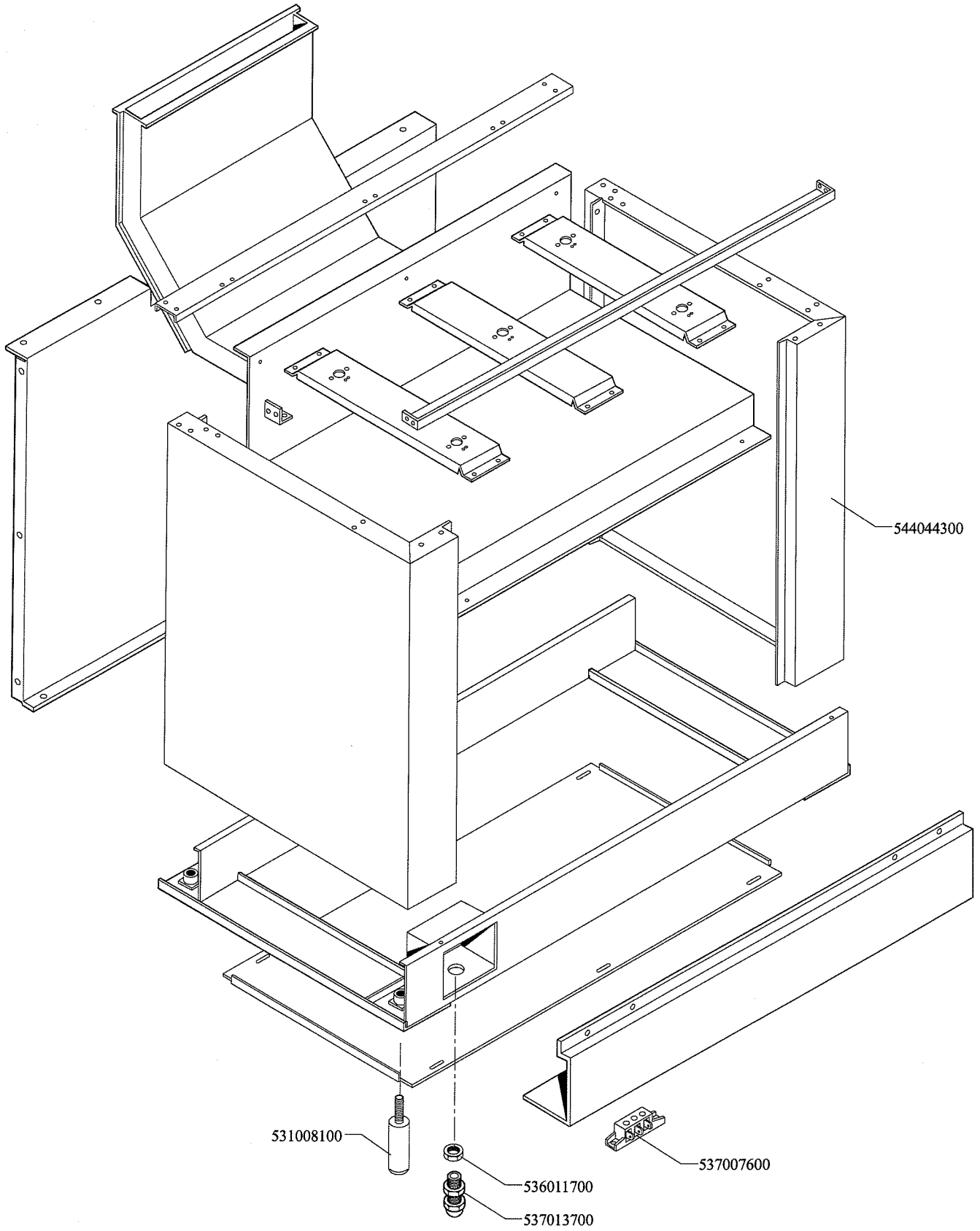


SNACK 60 CUCINE / SNACK 60 RANGES / SNACK 60 HERDE / SNACK 60  
CUISINIÈRES

CF-10GF CF-10G/A

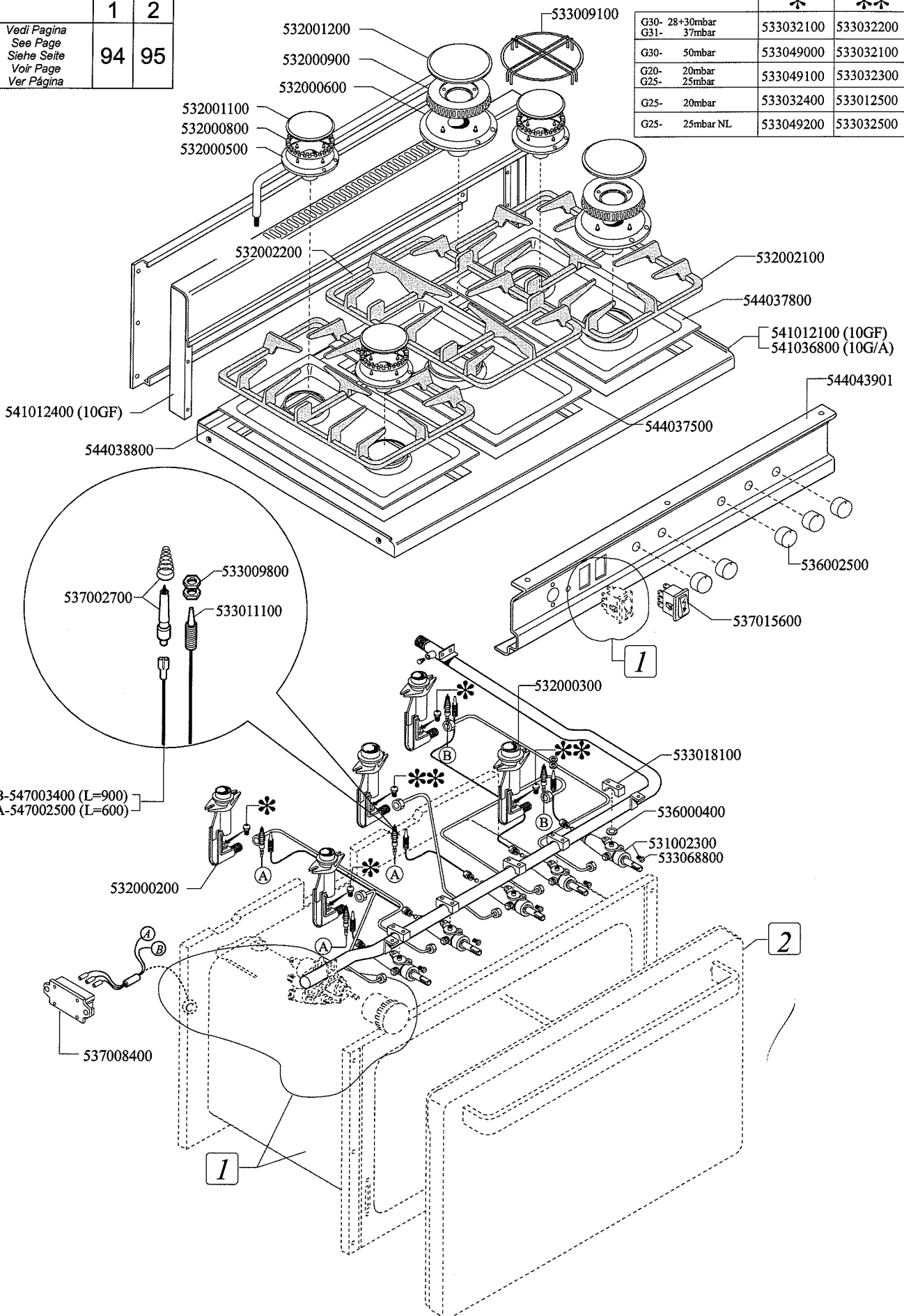


# SNACK 60 CUCINE / SNACK 60 RANGES / SNACK 60 HERDE / SNACK 60 CUISINIÈRES

## CF-10GF CF-10G/A

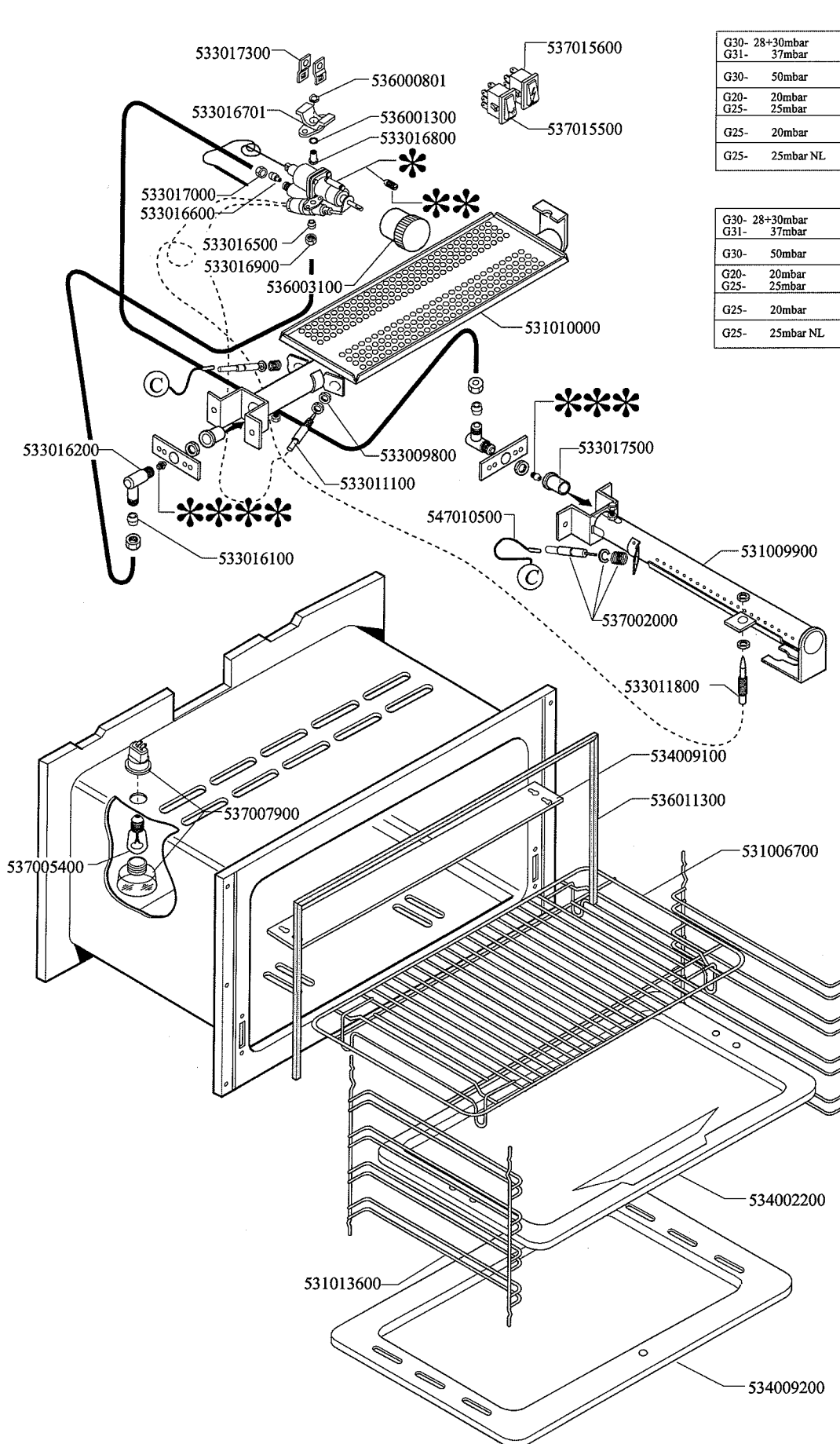
	1	2
Vedi Pagina See Page Siehe Seite Voir Page Ver Página	94	95

	*	**
G30- 28+30mbar G31- 37mbar	533032100	533032200
G30- 50mbar	533049000	533032100
G20- 20mbar G25- 25mbar	533049100	533032300
G25- 20mbar	533032400	533012500
G25- 25mbar NL	533049200	533032500



# SNACK 60 CUCINE / SNACK 60 RANGES / SNACK 60 HERDE / SNACK 60 CUISINIÈRES

FORNO GAS CF...-8... CF...-10... / GAS OVEN CF...-8... CF...-10... / GAS BACKOFEN CF...-8... CF...-10... / FOUR A GAZ CF...-8... CF...-10...

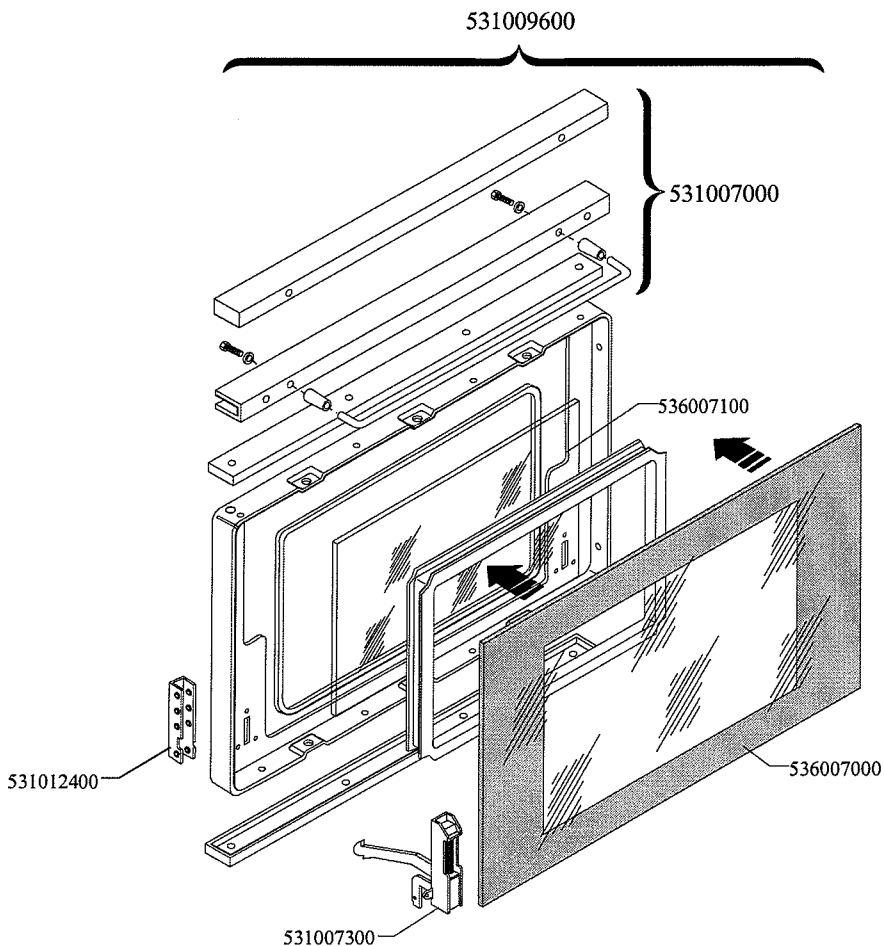
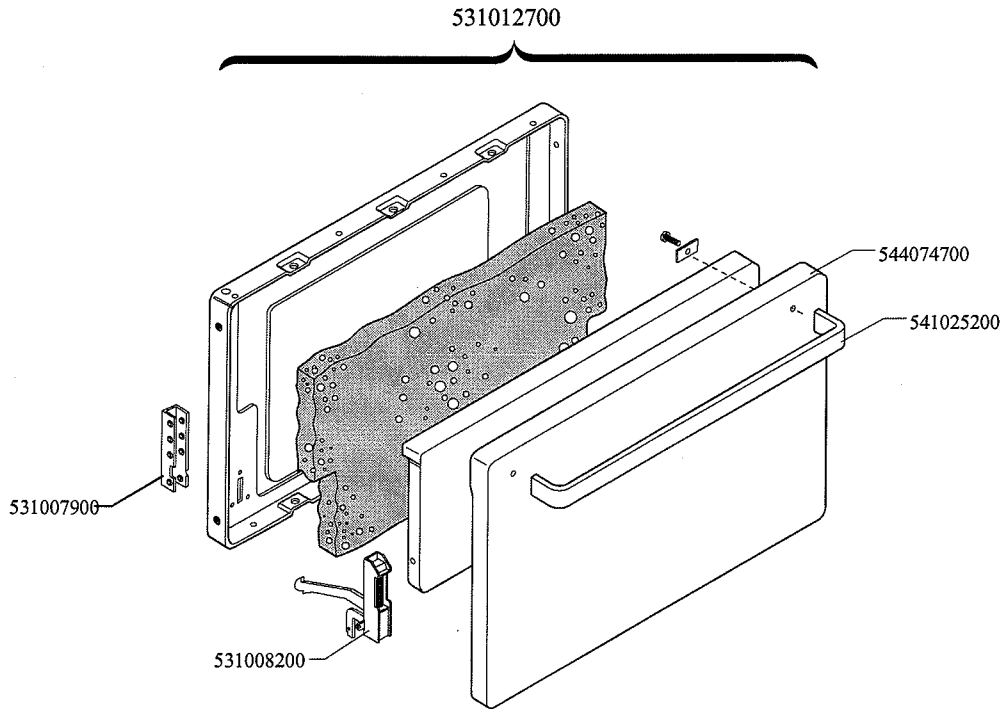


	*	**
G30- 28+30mbar G31- 37mbar	531008301	533068900
G30- 50mbar	531031700	533045900
G20- 20mbar G25- 25mbar	531008301	533068900
G25- 20mbar	531031700	533045900
G25- 25mbar NL	531008301	533068900

	***	****
G30- 28+30mbar G31- 37mbar	533013100	533013900
G30- 50mbar	533013000	533013100
G20- 20mbar G25- 25mbar	533013200	533013400
G25- 20mbar	533013300	533013500
G25- 25mbar NL	533014000	533050100

**SNACK 60 CUCINE / SNACK 60 RANGES / SNACK 60 HERDE / SNACK 60  
CUISINIÈRES**

**PORTE INOX/VETRO FORNO CF...-8... CF...-10... / STAINLESS-STEEL/GLASS DOORS  
OVEN CF...-8... CF...-10... / EDELSTAHL/GLASTÜREN OFEN CF...-8... CF...-10... /  
PORTES EN ACIER INOXYDABLE/VITRÈES POUR FOUR CF...-8... CF...-10**



Page	Pos	Code	Description
001		544044300	SIDE 1000 RANGE
001		537007600	TERMINAL BLOCK SINGLEPHASE 40A
001		531008100	ADJUSTABLE LEG H9 CHROME
001		536011700	HEXAGONAL LOCK NUT PG-11
001		537013700	CABLE SECURING CLAMP PG-11
002		541012400	PERFORATED SPACER 1000
002		541012100	UPPER PLATE CF-10G
002		533032100	NOZZLE §82 CH9*10 CE G-R
002		533049000	NOZZLE §72 CH9*10 F-R
002		533049100	NOZZLE §125 CH9*10 H-R
002		533032400	NOZZLE §135 CH9*10 L-R
002		533049200	NOZZLE §130 CH9*10 AARD.L-R
002		533032200	NOZZLE §96 CH9*10 CE G-UR
002		533032300	NOZZLE §142 G20
002		533012500	NOZZLE §160 CH9*10 L-UR
002		533032500	NOZZLE §150 CH9*10 AARD.L-UR
002		533009100	REDUCTION S.60
002		532001200	ULTRA-QUICK BURNER COVER IN CAST IR
002		532000900	ULTRA-QUICK BURNER RING
002		532000600	ULTRA-QUICK BURNER SUPPORT 2HOLES
002		532001100	QUICK BURNER COVER IN CAST IRON
002		532000800	QUICK BURNER RING
002		532000500	QUICK BURNER SUPPORT 2HOLES
002		532002100	2 BURNERS GRID
002		544037800	2 BURNER DRIP PAN (QUICK+VERY QUICK
002		532002200	1 FLAME GRILL
002		544038800	2 BURNER DRIP PAN (QUICK+QUICK)
002		544037500	1 BURNER DRIP PAN (VERY QUICK)
002		544043901	CONTROL PANEL CF-10G
002		533009800	BRASS NUT M8*1
002		533011100	THERMOCOUPLE 600 M8*1
002		537002700	PLUG WITH SPRING H57
002		532000300	ULTRA-QUICK BURNER VENTURI
002		536002500	COCK KNOB
002		537015600	BIPOLAR SWITCH
002		533018100	BRIDLE D.21
002		B-547003400	HIGH-VOLTAGE CABLE L=900
002		A-547002500	HIGH-VOLT.WIRE 2,8X0,5 F2,8X0,8L600
002		532000200	QUICK BURNER VENTURI
002		537008400	IGNITION UNIT 8 FLAMES V230
002		536000400	GASKET FOR COCK
002		531002300	TAP WITH VALVE BY PASS 485/042 CE
002		533068800	BY PASS COCK §42 PC/CF-60
003		531008301	GRILL AND OVEN COCK BY PASS §40
003		531031700	BY PASS 35 SAFETY COCK CF60 F/G
003		533068900	§40 BY-PASS COCK FOR OVEN CF60/65
003		533045900	§35 BY-PASS THERMOSTATIC TAP
003		533013100	NOZZLE §100 CH7*8,8 G-OVEN F-GRILL
003		533013000	NOZZLE §88 CH7*8,8 F-OVEN
003		533013200	NOZZLE §155 CH7*8,8 MH-OVEN
003		533013300	NOZZLE §170 CH7*8,8 AARDGAS-OVEN+G

Page	Pos	Code	Description
003		533014000	NOZZLE §160 CH7*8,8 MH-FOUR+GRILL
003		533013900	NOZZLE §115 G30 FOR GRILL
003		533013400	NOZZLE §175 CH7*8,8 MH-GRILL
003		533013500	NOZZLE §195 CH7*8,8 L-GRILL
003		533050100	NOZZLE §185 CH7*8,8 GRILL AARDGAS L
003		533017300	TAP ATTACHMENT BRIDLE SABAF DIS.311
003		533016701	FLANGE FOR COCK DIS.0503
003		536000801	EXTERNAL GASKET DIS.174-1
003		536001300	INTERNAL OVEN COCK GASKET
003		533016800	COCK TUBE SABAF DIS.S-461
003		537015600	BIPOLAR SWITCH
003		537015500	REDLIGHTED SWITCH
003		533017000	THREARED FITTING FOR BICONE 8S
003		533016600	BICONE §8 H.6 SABAF DIS.688
003		533016500	BICONE 8§
003		533016900	D.8 BICONE THREADED FITTING SABAF
003		536003100	GAS OVEN KNOB CF-8/10
003		531010000	GRILL BURNER CF
003		533009800	BRASS NUT M8*1
003		533016200	FITTING FOR BICONE §8
003		533011100	THERMOCOUPLE 600 M8*1
003		533016100	BICONE D.8
003		547010500	HIGH-VOLTAGE CABLE F.2,8X0,8-F.2,8X
003		533017500	VENTURI BUSHING FOR OVEN BURNER
003		531009900	OVEN BURNER CF
003		537002000	OVEN PLUG + SPRING
003		533011800	THERMOCOUPLE 1200 M8*1
003		534009100	GRILL PROTECTION CF-8/10
003		536011300	OVEN GASKET CF-8/10
003		531006700	OVEN GRID FOR CF-8/10
003		534002200	OVEN DRIPPING-PAN CF-8/10
003		534009200	MAXI GAS OVEN BOTTOM
003		531013600	SIDE GRID FOR MAXI/VENTILATED OVEN
003		537005400	OVEN BULB 15W 300°C
003		537007900	OVEN BULB-SOCKET
004		531012700	STAINLESS STEEL OVEN DOOR CF-8/10
004		531007900	STAINLESS STEEL DOOR WHEEL HOLDER
004		531008200	STAINLESS STEEL DOOR HINGE CF-8/10
004		544074700	STAINLESS STEEL OVEN DOOR PANEL
004		541025200	STAINLESS STEEL OVEN DOOR HANDLE
004		531009600	COMPLETE GLASS OVEN DOOR
004		531007000	OVEN GLASS DOOR HANDLE CF-8/10
004		536007100	INTERNAL GLASS OVEN DOOR CF-8/10
004		536007000	EXTERNAL GLASS OVEN DOOR CF8/10
004		531012400	GLASS DOOR WHEEL HOLDER CF-8/10
004		531007300	GLASS DOOR HINGE CF-8/10