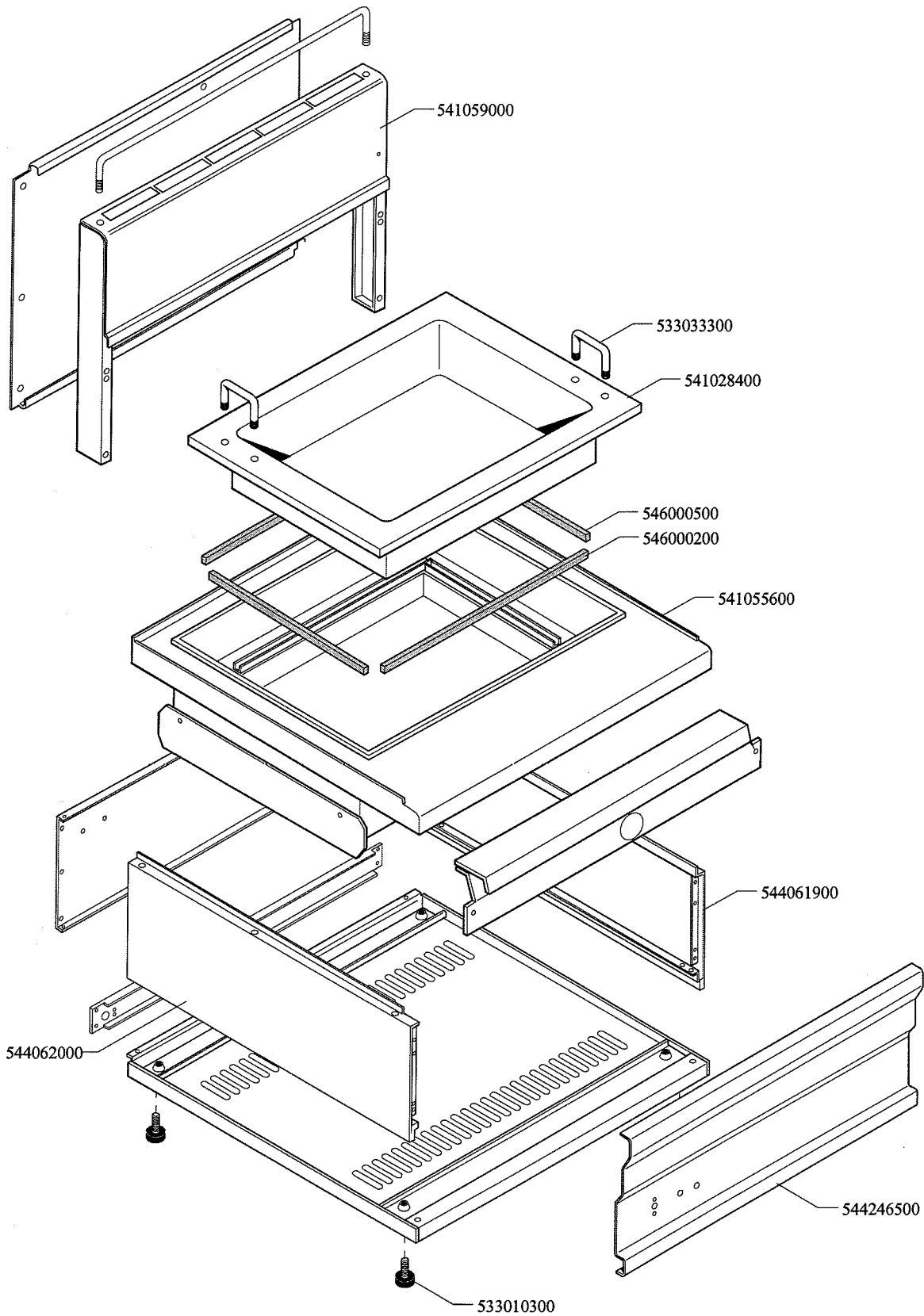
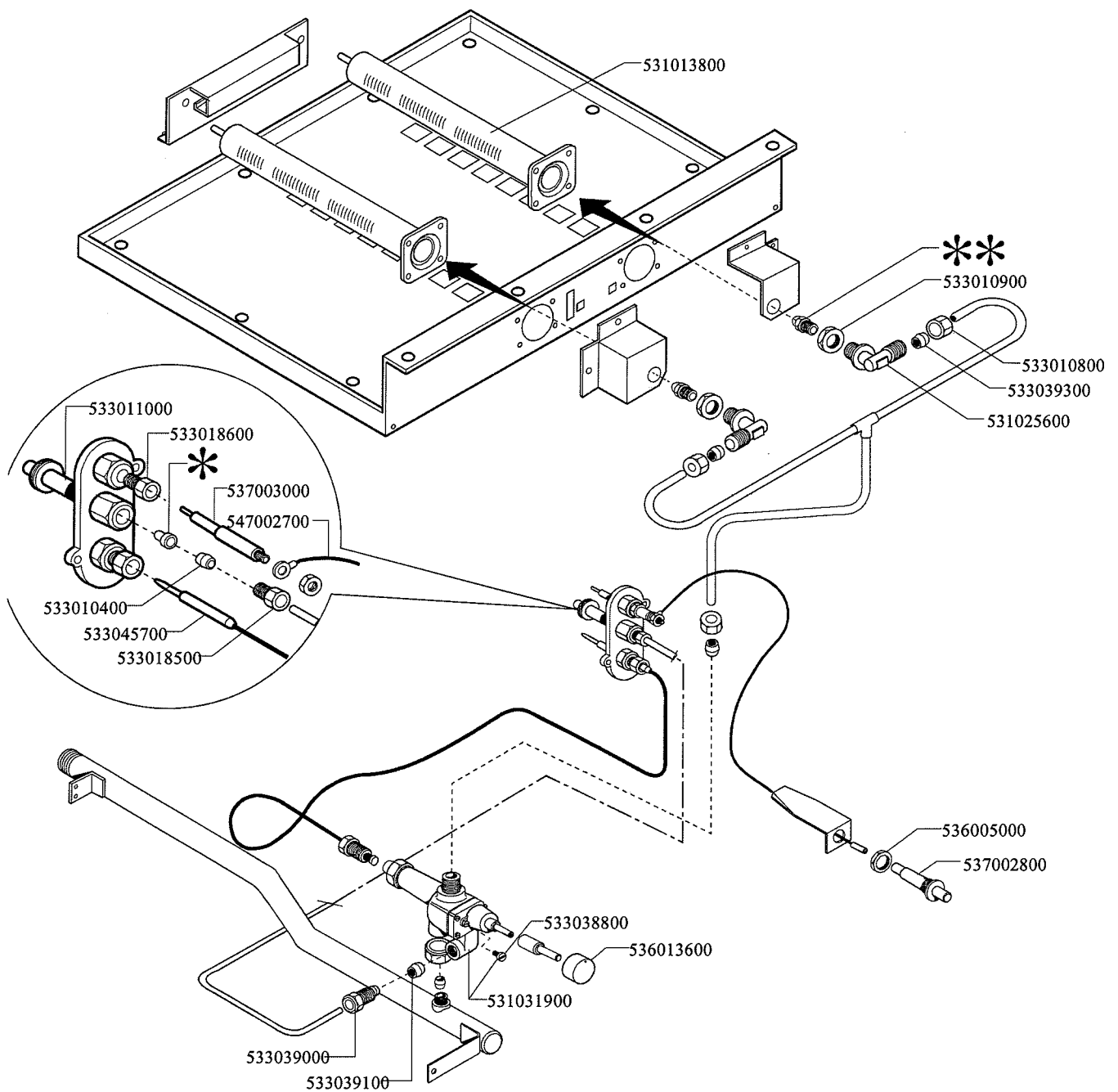


BR-62G



BR-62G

	*	**
G30- G31-	533020200	533032601
G30-	533020200	533033000
G20- G25-	533020400	533046100
G25-	533020400	533046200
G25- 25mbar	533020400	533046100



Page	Pos	Code	Description
001		533010300	ADJUSTABLE FOOT M10*20 D.23
001		544062000	LEFT SIDE PANEL 60 LINE
001		544061900	RIGHT SIDE PANEL 60 LINE
001		544246500	CONTROL PANEL BR-62G
001		541055600	UPPER PLATE BR-62G
001		546000500	SQUARE BRAID OF INSULATING MATERIAL
001		546000200	SQUARE BRAID OF INSULATING MATERIAL
001		541028400	TANK BR-62
001		533033300	TANK HANDLE BR-62
001		541059000	SPACER BR-62G
002		533020200	PILOT JETS 0160 FOR LPG §30
002		533020400	NOZZLE 0160 (NATURAL GAS) 51
002		533032601	NOZZLE §85 CH12X30,0
002		533033000	NOZZLE §075 CH12X30,0
002		533046100	NOZZLE §140 CH12X30 MH-BR
002		533046200	NOZZLE §150 CH12X30 L-BR TP
002		531013800	BURNER BM-61G 102.0299.00
002		533010900	NUT M14*1 H.4
002		533010800	TUBE NUT D.10 M16*1,5
002		533039300	BICONE §10
002		531025600	ELBOW 90° NOZZLE-HOLDER §10 PIPE
002		536005000	NUT M18 FOR PIEZOELECTRIC IGNITION
002		537002800	PIEZOELECTRIC IGNITION M18
002		533038800	75 BY-PASS FOR 21S TAP
002		536013600	COCK KNOB BR-62G/CW-61/2G
002		531031900	BY PASS SAFETY COCK BR-62G
002		533039000	NUT FOR PILOT TUBE §6
002		533039100	BICONE §6
002		533011000	PILOT BURNER 3 FLAMES 320
002		533018600	PLUG FITTING
002		537003000	PLUG M4 - LONG ELECTRODE
002		547002700	HIGH-VOLTAGE CABLE L=500
002		533010400	BICONE D.6
002		533045700	THERMOCOUPLE M9*1 500
002		533018500	FITTING FOR BICONE D.6 M10*1