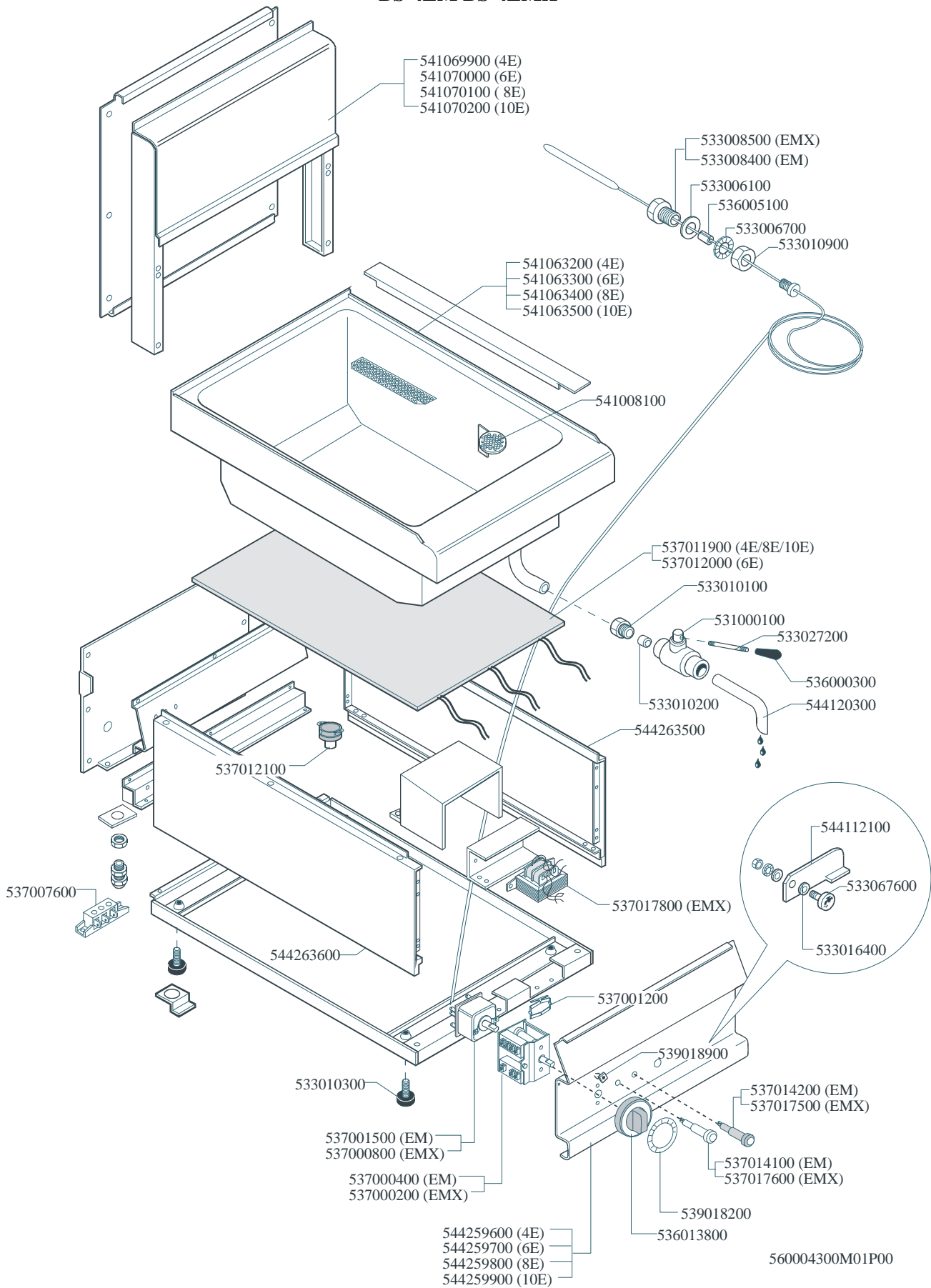


BS-4EM BS-4EMX



Page	Pos	Code	Description
001		544263500	RIGHT SIDE S.65
001		544263600	LEFT SIDE S.65
001		533010300	ADJUSTABLE FOOT M10*20 D.23
001		539018200	ADHESIVE GRADUATED DISC FOR KNOB
001		537014100	WHITE WARNING LIGHT 250V
001		537014200	GREEN WARNING LIGHT 250V
001		536013800	KNOB D.70 BLACK 6*5 WITH SPRING
001		537001200	FIXING BRACKET FOR THERMOSTAT/COMM.
001		539018900	INDEX FOR KNOB
001		537007600	TERMINAL BLOCK SINGLEPHASE 40A
001		544112100	COCK FIXING BRACKET FG-10
001		533067600	PIN FOR GRADUATED COCK BUSHING
001		533016400	COCK BUSHING
001		541069900	NEUTRAL SPACER 4
001		541008100	DRAIN FILTER TANK CP 700LINE
001		541063200	UPPER PLATE BM-4E
001		533010100	3/4 D. 18 PIPE UNION
001		531000100	DRAIN COCK 3/4"
001		533027200	HANDLE FOR DRAIN COCK 3/4"G FG
001		544120300	DRAIN PIPE 22 FOR COCK 3/4"G
001		536000300	FIXED GRIP D.15*25*M6
001		537012100	TEMPERATURE LIMITING DEVICE 165°C
001		537011900	HEATING ELEMENT W650 V230 ICE-FOIL
001		537000400	COMMUTATOR 1POS.SINGLEPHASE S49 16A
001		537001500	THERMOSTAT 30-90°C SINGLEPHASE
001		544259600	CONTROL PANEL BM-4E
001		533010200	BICONE 18S
001		533008400	LOCK NUT M14*1-M9*1
001		533006100	GASKET D.24
001		536005100	GRAPHITE §07,4 GASKET
001		533006700	NOTCHED WASHER D.14
001		533010900	NUT M14*1 H.4