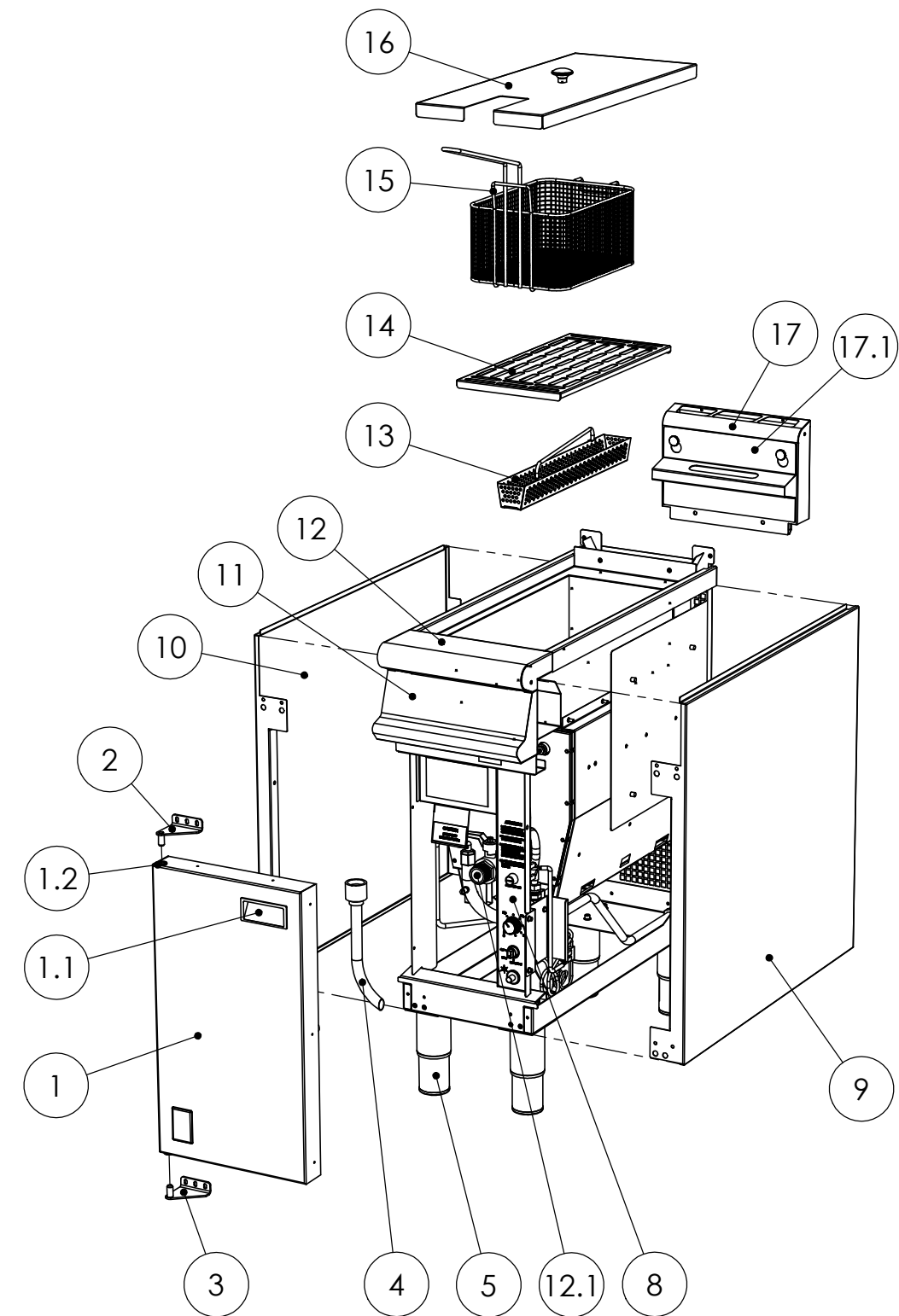
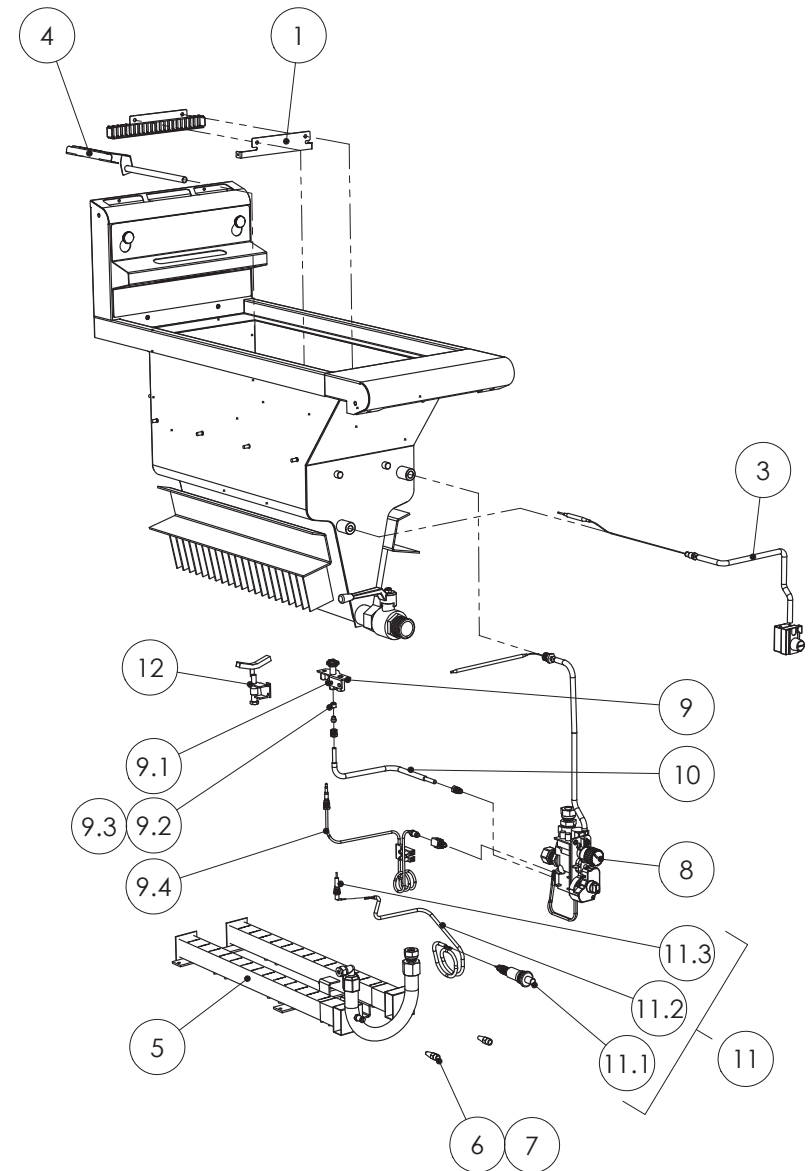


| ITEM |      | DESCRIPTION                                   | SPARES No |
|------|------|---|-----------|
| 1    |      | DOOR ASSEMBLY                                 | 535570000 |
|      | 1.1  | DOOR HANDLE                                   | 736010020 |
|      | 1.2  | DOOR HINGE BUSH ( x 2 )                       | 536060036 |
| 2    |      | DOOR HINGE - TOP                              | 535200006 |
| 3    |      | DOOR HINGE - BOTTOM                           | 535200007 |
| 4    |      | DRAIN TUBE ASSEMBLY                           | 535710015 |
| 5    |      | ADJUSTABLE FOOT                               | 535480067 |
| 6    |      | CASTOR - BRAKED ( x 2 ) - NOT SHOWN           | 536430110 |
| 7    |      | CASTOR - FIXED ( x 2 ) - NOT SHOWN            | 731350014 |
| 8    |      | CONTROLS INDICATION LABEL                     | 535580001 |
| 9    |      | OUTER SIDE PANEL - RH                         | 535580002 |
| 10   |      | OUTER SIDE PANEL - LH                         | 535580003 |
| 11   |      | CONTROL PANEL                                 | 535570001 |
| 12   |      | HOB/PAN ASSEMBLY C/W INSULATION & DRAIN VALVE | 535570002 |
|      | 12.1 | DRAIN VALVE ASSEMBLY                          | 534510060 |
| 13   |      | PAN STRAINER                                  | 535670009 |
| 14   |      | FISH PLATE                                    | 535570003 |
| 15   |      | BASKET  | 531312010 |
| 16   |      | DUST COVER                                    | 535670010 |
| 17   |      | FLUE ASSEMBLY                                 | 535670011 |
|      | 17.1 | BASKET HANGER                                 | 535670012 |



# DOMINATOR PLUS

| ITEM | DESCRIPTION                                    | SPARES No |
|------|--|-----------|
| 1    | OPERATING STAT PHIAL MOUNTING BRACKET          | 535580006 |
| 2    | OPERATING STAT PHIAL COVER                     | 535580007 |
| 3    | SAFETY THERMOSTAT                              | 535580008 |
| 4    | SAFETY STAT PHIAL MOUNT BRACKET                | 535670018 |
| 5    | BURNER ASSEMBLY (NO INJECTORS)                 | 535670019 |
| 6    | BURNER INJECTORS ( x 2 ) - NAT GAS             | 535670020 |
| 7    | BURNER INJECTORS ( x 2 ) - PROPANE             | 535570004 |
| 8    | GAS CONTROL VALVE C/W FITTINGS - NAT & PROPANE | 535580017 |
| 9    | PILOT ASSEMBLY - NAT & PROPANE                 | 535580013 |
| 9.1  | 3 FLAME PILOT                                  | 530760007 |
| 9.2  | PILOT INJECTOR - NAT GAS                       | 537350013 |
| 9.3  | PILOT INJECTOR - PROPANE                       | 537350014 |
| 9.4  | THERMOCOUPLE                                   | 535670024 |
| 10   | PILOT PIPE C/W FITTINGS                        | 535570005 |
| 11   | SPARK IGNITOR ASSEMBLY                         | 535670026 |
| 11.1 | SPARK IGNITOR                                  | 535010000 |
| 11.2 | SPARK IGNITOR CABLE                            | 535710115 |
| 11.3 | SPARK ELECTRODE                                | 537350007 |
| 12   | CROSS LIGHTER ASSEMBLY - NAT & PROPANE         | 535670027 |
| 12.1 | CROSS LIGHTER INJECTOR - NAT GAS (NOT SHOWN)   | 535710091 |
| 12.2 | CROSS LIGHTER INJECTOR - PROPANE (NOT SHOWN)   | 531300070 |
| 13   | GAS GOVERNOR - NAT GAS (NOT SHOWN)             | 535820026 |



| Issue | Alteration   | Date     | Product | Document Reference |
|-------|--------------|----------|---------|--------------------|
| B     | Second Issue | 15/05/14 | G3830   | AD48877            |