

# QUARTZ CLASSIC

TECHNICAL MANUAL



TM\_EN  
Part No.: 1764264\_05

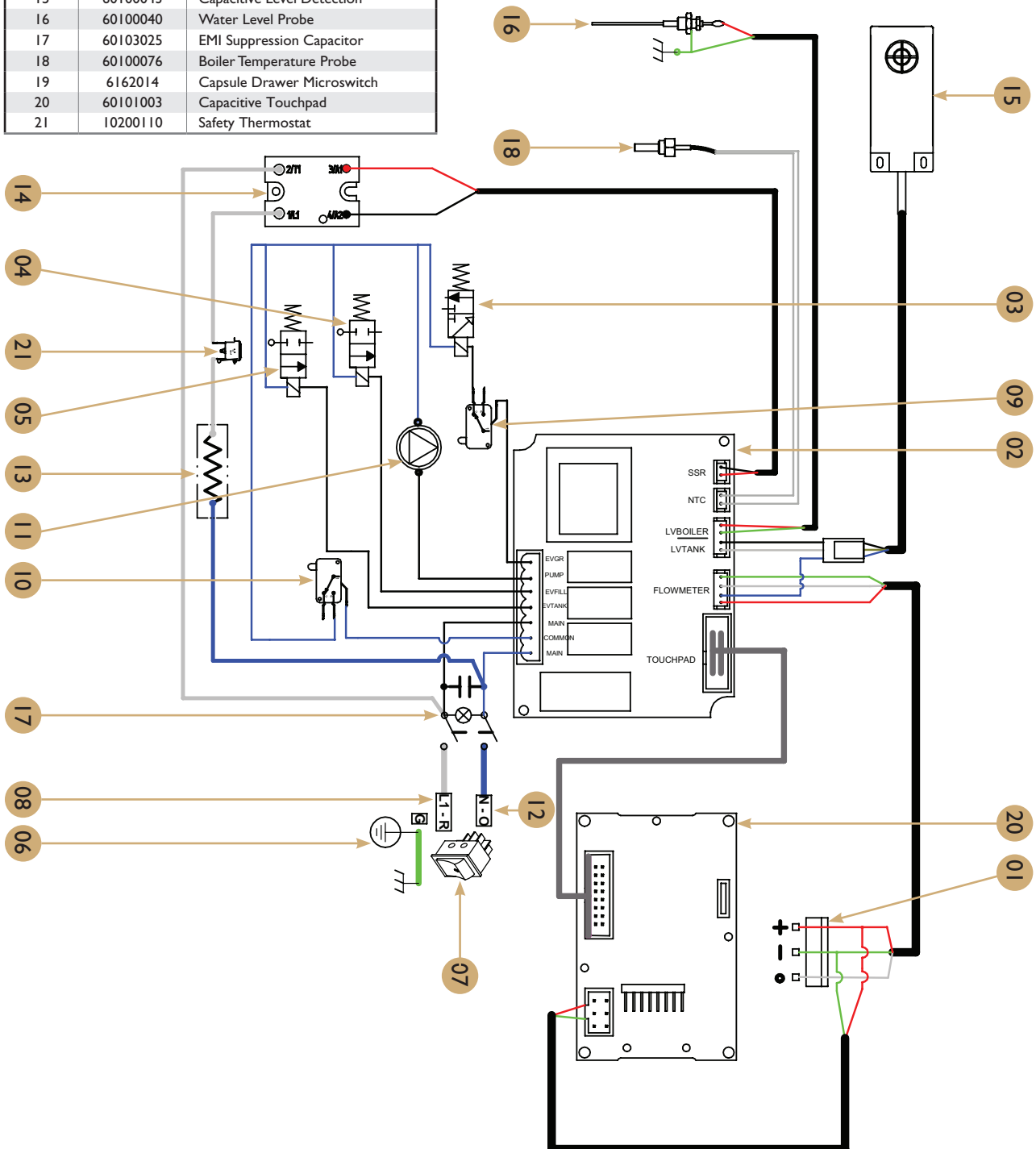
EXPOBAR®

# ELECTRICAL DIAGRAM

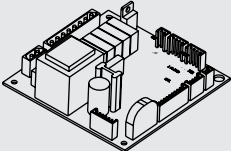
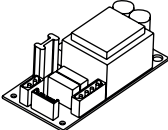
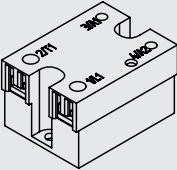
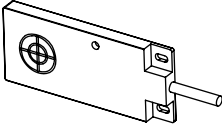
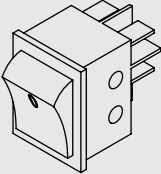
QUARTZ

CLASSIC

POS.	Part No.	Description
1	60100060	Flowmeter
2	60100320	Control Board Classic
3	60000122	Group Solenoid Valve
4	60000105	Boiler Water Inlet Solenoid Valve
5	Q12062001	Inlet Valve 3/4 - Tube
6	N/A	Ground
7	60900035	Rocker Switch
8	N/A	Line
9	60900031	Capsule Group Microswitch
10	60900034	Tank Safety Microswitch
11	60000040	Vibratory Pump
12	N/A	Neutral
13	38020001	Heating Element
14	60800101	Solid State Relay AC
15	60100043	Capacitive Level Detection
16	60100040	Water Level Probe
17	60103025	EMI Suppression Capacitor
18	60100076	Boiler Temperature Probe
19	6162014	Capsule Drawer Microswitch
20	60101003	Capacitive Touchpad
21	10200110	Safety Thermostat

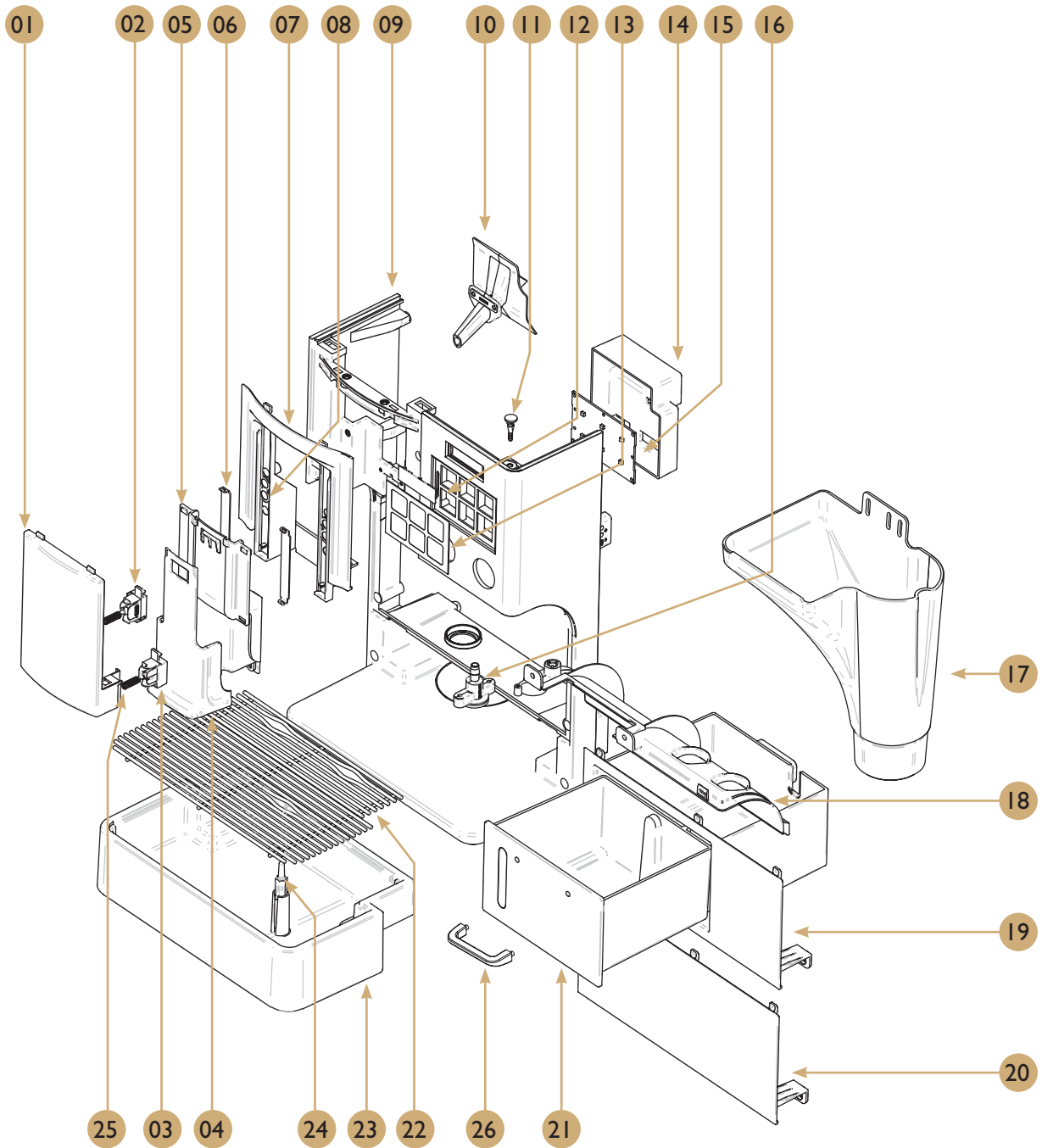


## Electrical components

Part	Part No.	Description
	60100320	Control Board Classic
	1660092	PCB Quartz
	60800101	Static Relay 4-32
	60100043	Adaptive Level Detection
	60900035	Power Switch

Machine front

Drawing



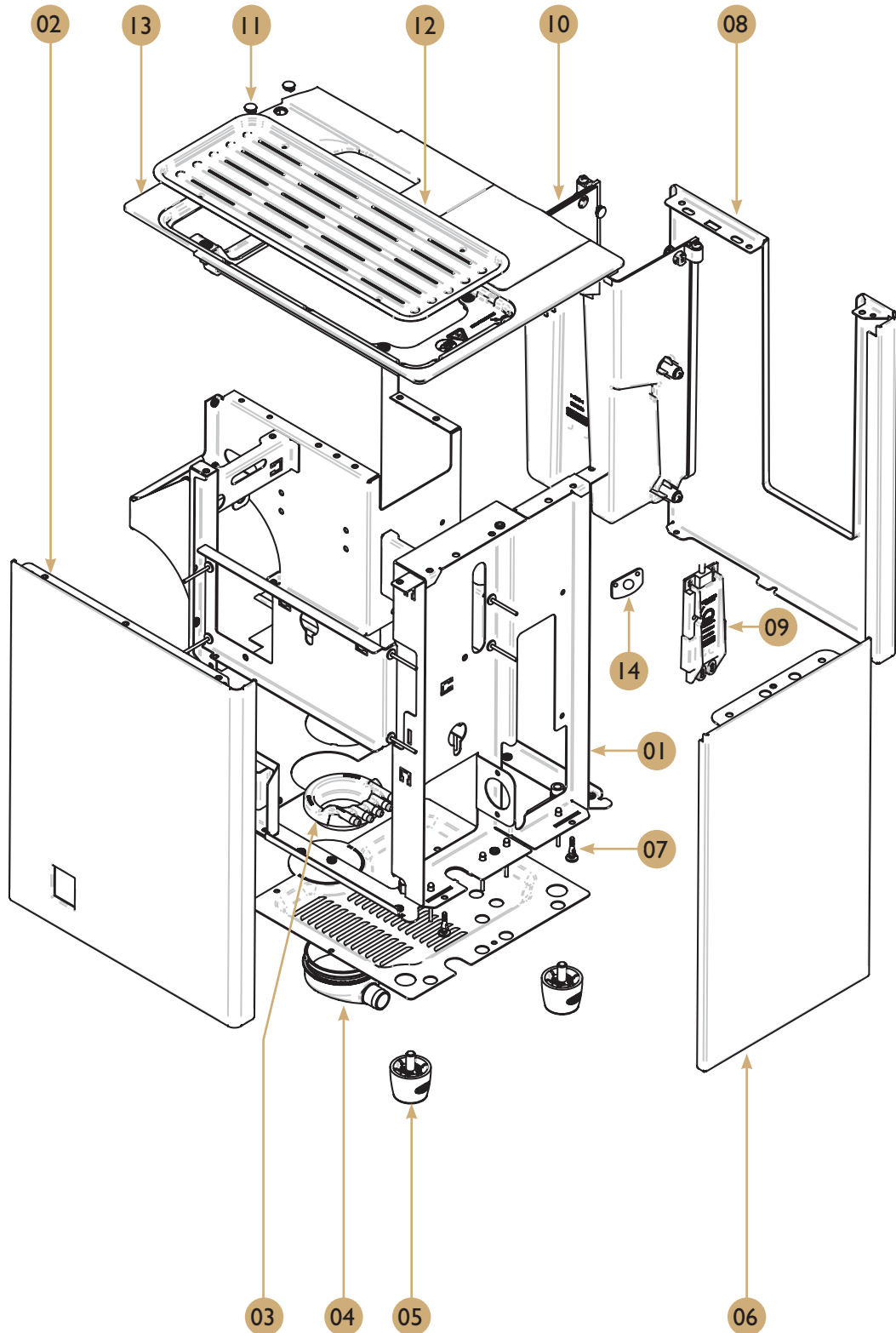
## Machine front

## Spare parts list

POS.	PCS	Part No.	Description
01	1	Q01264345	Chromed Front Cover
02	1	Q01264256	Front Clip Left
03	1	Q01264229	Front Clip Right
04	1	Q01264351	Chromed Slider Trim
05	1	Q01264353	Chromed Slider Front
06	2	20010220	Sheetmetal Slides
07	1	Q01264343	Front Panel
08	4	70000061	Magnets
09	1	Q01264342	Front Chassis Frame
10	1	Q030210201	Coffee Spout
11	1	50100010	Vibration Absorbing D5
12	1	10004150	Plug For Display
13	1	60101004	Silkprint For Face
14	1	60100325	Touchpad PCB Cover
15	1	60101003	Touchpad PCB
16	1	30000046	Group Jet Breaker
17	1	Q01264412	Waste Funnel (optional)
18	1	Q01264354	Top Front
19	1	Q01264346	Lower Front With Box
20	1	10004096	Lower Front Without Box
21	1	Q01264350	Capsule Box
22	1	Q01364085	Drip Grill
23	1	Q01264347	Drip Tray
24	1	10003126	Drip Tray Float
25	2	55000100	Bypass Spring
25	1	70000027	Chromed Handle

Machine

Drawing



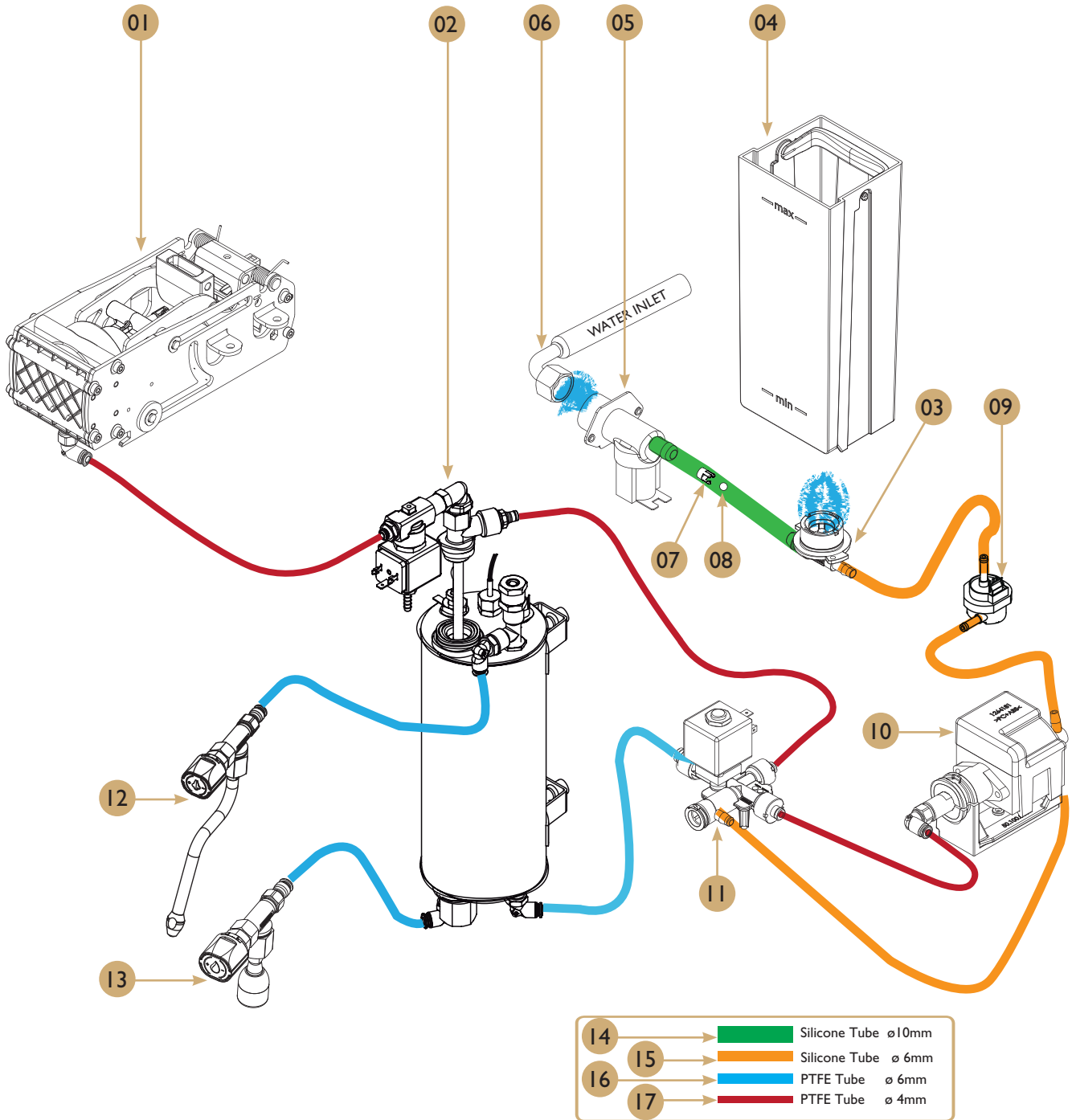
## Machine

## Spare parts list

POS.	PCS	Part No.	Description
01	1	N/A	Chassis
02	2	Q00261655	Side Panel Right
03	1	70001005	Drain Cup Cover
04	1	70001002	Threadless Drain Cup
05	1	70000041	Leg D-30
06	1	Q00261657	Back Panel
07	1	50100010	Vibration Absorbing D5
08	1	Q00261656	Side Panel Left
09	1	20010240	Miniswitch Support Tank
10	1	Q01264344	Tank Divider Panel
11	1	50000052	End Gasket D-11
12	1	70001002	Cup Tray Stainless Steel
13	1	Q02760204	Top Frame Assy.
14	1	10004260	Capacitive Level Probe Support Sys.

Water schematic

Drawing



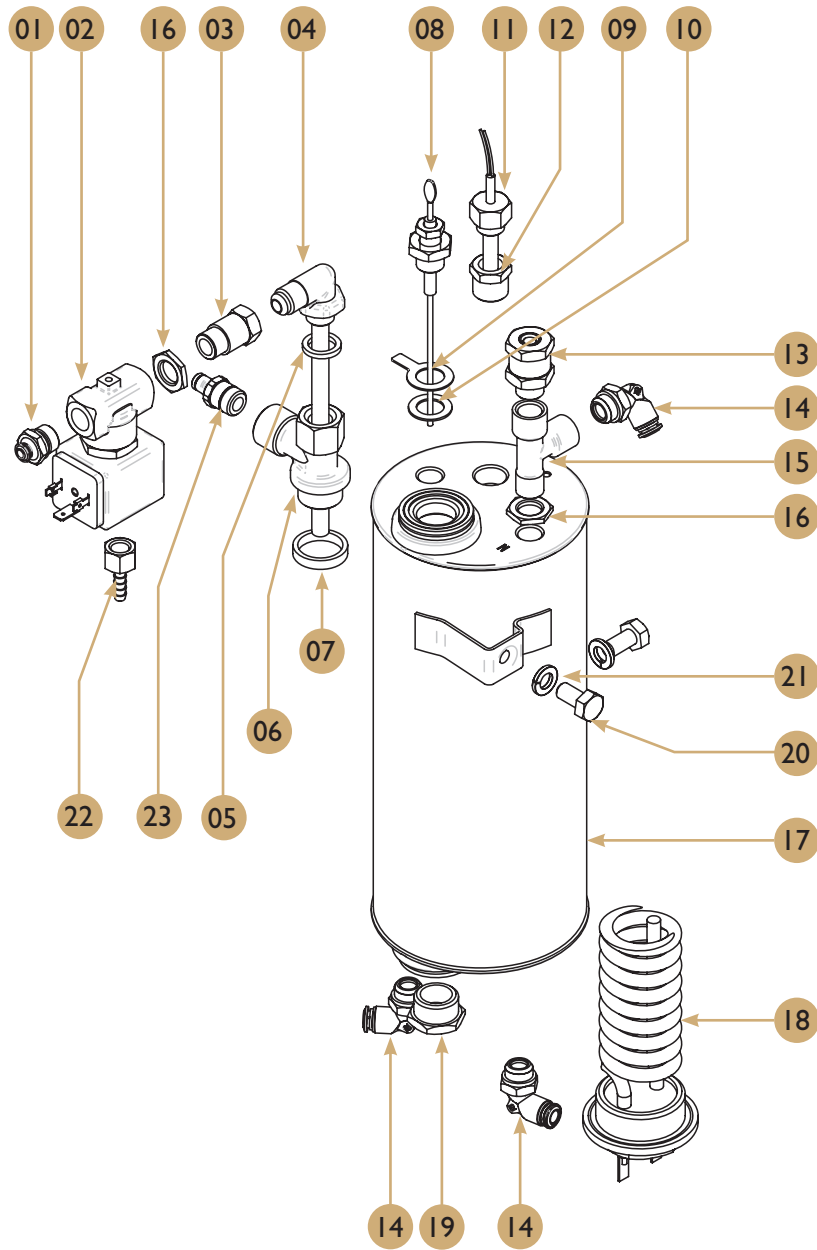
## Water schematic

## Spare parts list

POS.	PCS	Part No.	Description
1	1	See Pg. 30	Capsule Group
2	1	See Pg. 34	Boiler Assy.
3	1	65000220	Tank Inlet Valve Assy.
4	1	See Pg. 46	Tank Assy.
5	1	Q012062001	Inlet Valve G3/4M - Tube10
6	1	N/A	Water Inlet
7	1	Q01206121	Non Return Valve Holder
8	1	Q01206122	Non Return Valve Ball
9	1	60100060	Flow-meter
10	1	See Pg. 45	Vibration Pump Assy.
11	1	See Pg. 36	Manifold System
12	1	See Pg. 48	Steam Tap
13	1	See Pg. 50	Hot Water Tap
14	1	Q01505021	Silicone Tube 10mm (sold in 100cm lengths only)
15	1	35021015	Silicone Tube 6mm (sold in 100cm lengths only)
16	1	35021000	PTFE Tube 6mm (sold in 100cm lengths only)
17	1	35021016	PTFE Tube 4mm (sold in 100cm lengths only)

Boiler

Drawing



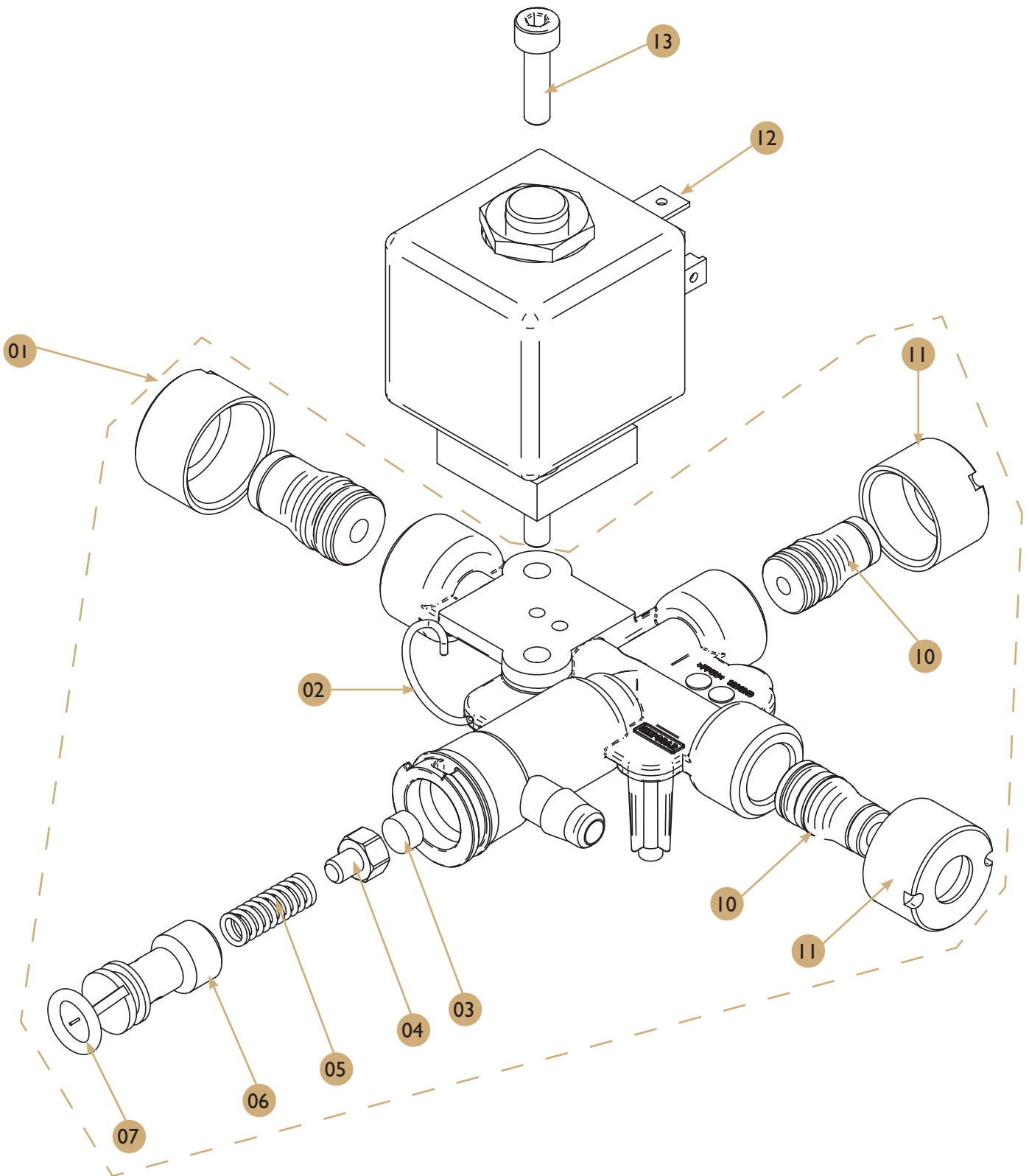
## Boiler

## Spare parts list

POS.	PCS	Part No.	Description
01	1	30600012	AUTOMATIC STRAIGHT RACOR G1/4 M - TUBE 4
02	1	60000122	EV 1/4 DIA 1,5 220V CAPSULE
03	1	30400120	MALE-FEMALE JOINT 1/4 (LABYRINTH )
04	1	30000220	CONICAL INJECTOR 1/4
05	5	50010020	13.2*18.2*2.5 1/4 TEFLON GASKET
06	1	30000210M	THERMICS INF.ADAPTOR
07	1	50010010	21.1*25.7*1/2 TEFLON GASKET
08	1	60100040	WATER LEVEL PROBE 1/4 BRASS
09	1	25000003	INOX GROUND WASHER
10	1	25679812	SERRATE WASHER M-12 SHAPE A
11	1	60100076	BOILER TEMPERATURA PROBE
12	1	30000003	MALE FEMALE REDUCER 3/8X1/4
13	1	65000200	NON SUCTION VALVE
14	3	30600013	AUTOMATIC ELBOW RACOR G1/4 M - TUBE 6
15	1	30000015	T 1/4H-1/4H-1/4M THREAD LATE
16	2	30100010	HEXAGONAL NUT 1/4 PRESOSTAT
17	1	15100004	OFFICE BOILER QUARTZ BASIC
18	1	38020001F	2000W-240V FUSE
19	1	30200035	CREM BREWING GROUP PLUG 1/2
20	2	25093350	HEXAGONAL HEAD SCREW 8X16
21	2	25012730	GROWER WASHER M8 DIN 127
22	1	30700000	PIN 1/8 TUBE 6
23	1	30600020	AUTOMATIC STRAIGHT RACOR G1/4M TUBE 4

Manifold system

Drawing



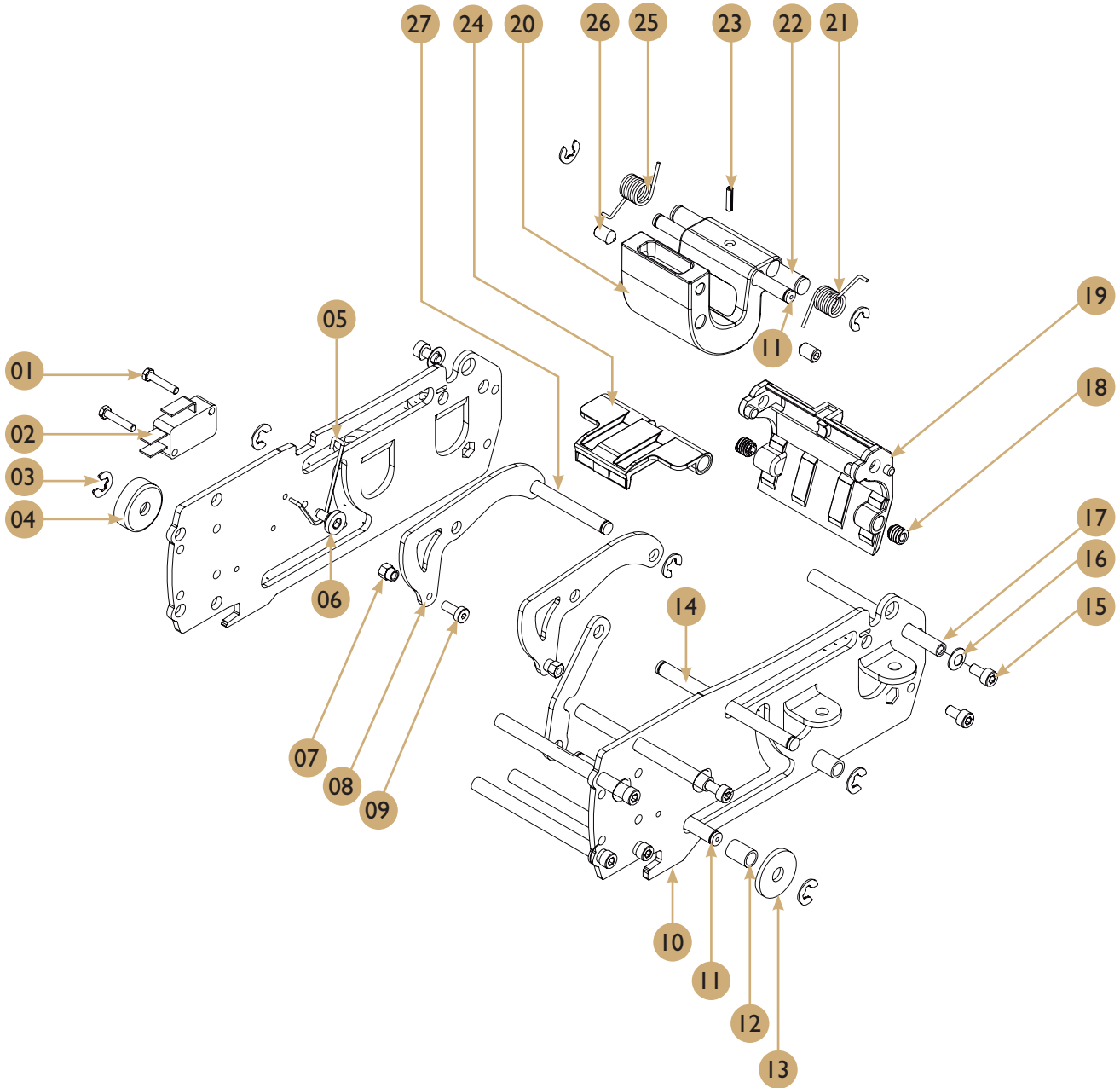
## Manifold system

## Spare parts list

POS.	PCS	Part No.	Description
01	1	Q01264253	Distributor
02	1	N/A	Bypass Closer
03	1	N/A	Flat Sealing Gasket Nbr 60 Sh Fda (D6x3)
04	1	N/A	Gasket Seat Of Bypass
05	1	N/A	Bypass Spring
06	1	N/A	Setting Screw Of Bypass
07	1	N/A	O-Ring 7.2 X 1.9 Fkm Green
08	1	N/A	Catridge Tube 6mm Legris
09	1	N/A	Shell Tube 6mm
10	2	N/A	Catridge Tube 4mm Legris
11	2	N/A	Shell Tube 4mm
12	1	60000105	Electrov.Base Plate Parker 220V
13	2	25091211	Allen Screw M4x16 DIN 912

Capsule group chassis

Drawing



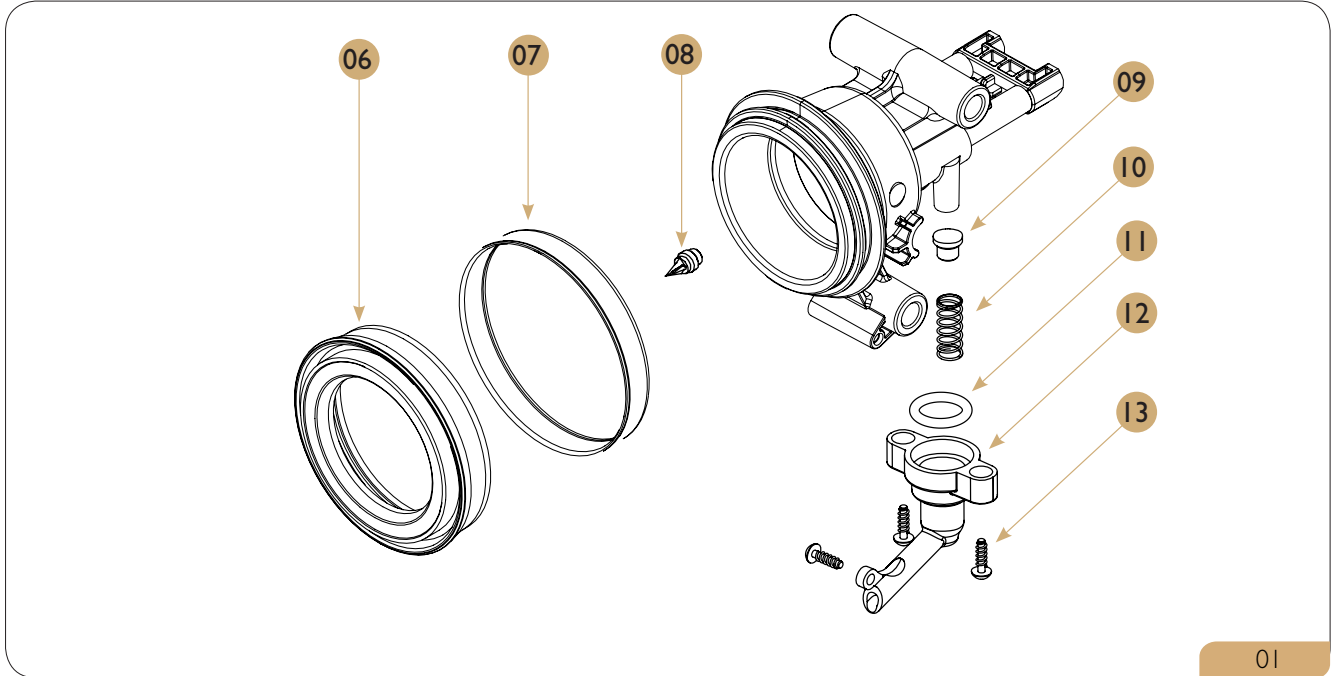
## Capsule group chassis

## Spare parts list

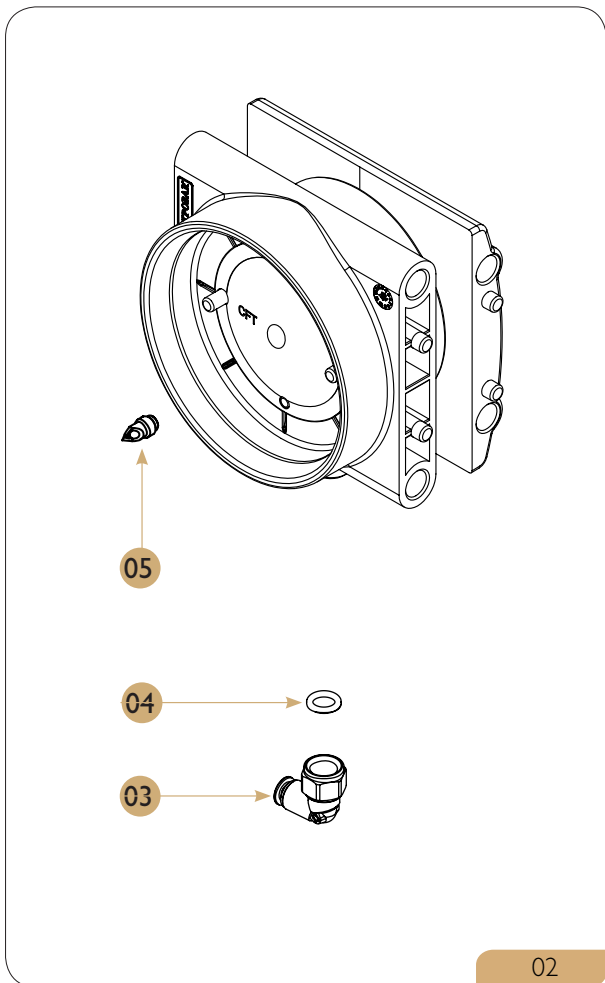
POS.	PCS	Part No.	Description
01	2	25093331	Hexagon Head Screws M3*16
02	1	60900031	Autoexp. Miniswitch 83160 G.
03	8	25679906	Retaining Washers
04	1	30210136	Stop Bushing D22x7
05	1	Q01364078	Spring Lock Left Capsule Group
06	2	Q01461044	Step screw M4, SUS430
07	2	30210230	Stop Nut M4
08	2	30210103	Articulated Arm Of Autoeject
09	2	25798440	Hex Socket Head Cap Screws M4x10
10	1	30210091	Right Panel Capsule Group
11	1	30210121	Slide Axis D6x84
12	4	30210135	Guide Cap D 8X11 Auto-Eject
13	1	25012521	Stainless Steel Knob Washer
14	2	30210120	Axis D 6*80 Auto-Eject Group
15	12	25091200	Allen Screw 4X8 Din-912
16	10	25209952	Disc Springs 5.2*10*0.4 Din2093
17	5	30210110	Group Pin M4x77
18	2	30210150	Insert Screw M4x8
19	1	30210060	Group Rear Panel
20	1	30210082	Group Lever Joint
21	1	55020005	Torsion Spring Right
22	1	30210124	Axis D 8*80 Auto-Eject Group
23	1	25148124	Slotted Spring Pins 2,5X10 - Din
24	1	30210070	Group Rear Cam
25	1	55020006	Torsion Spring Left
26	2	25798440	Allen Screw M6*10 Din914-A2
27	1	30210122	Axis D6x54 Group Hinge

Capsule group Caffitaly

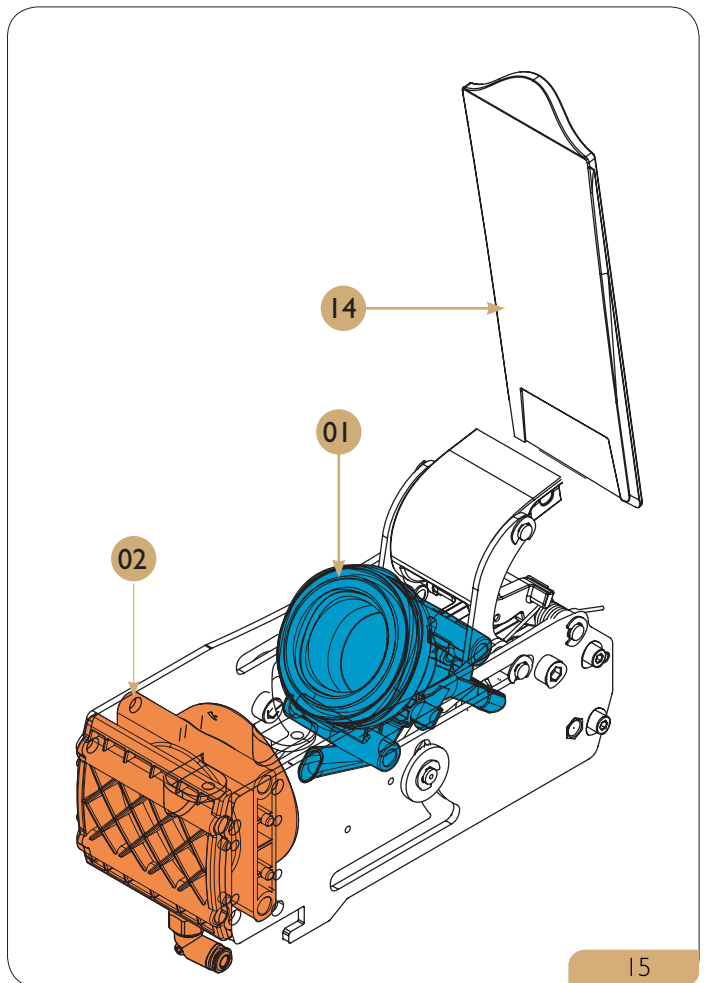
Drawing



01



02



15

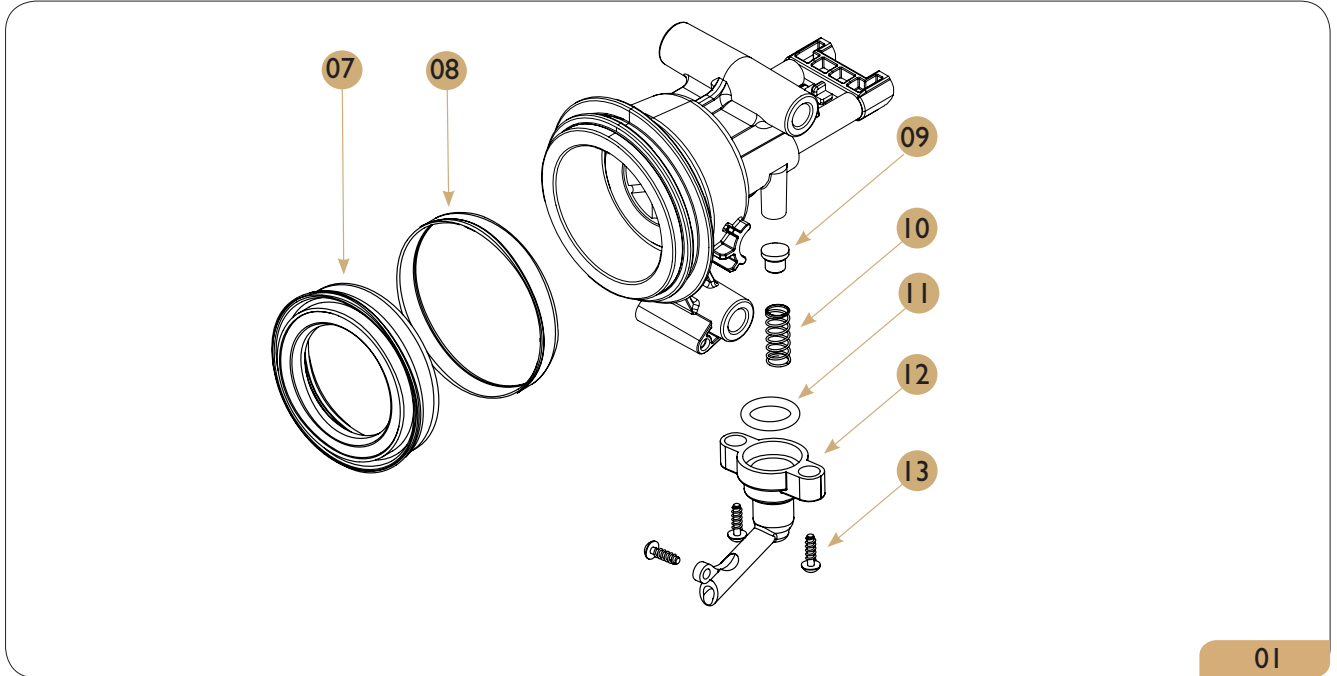
## Capsule group Caffitaly

## Spare parts list

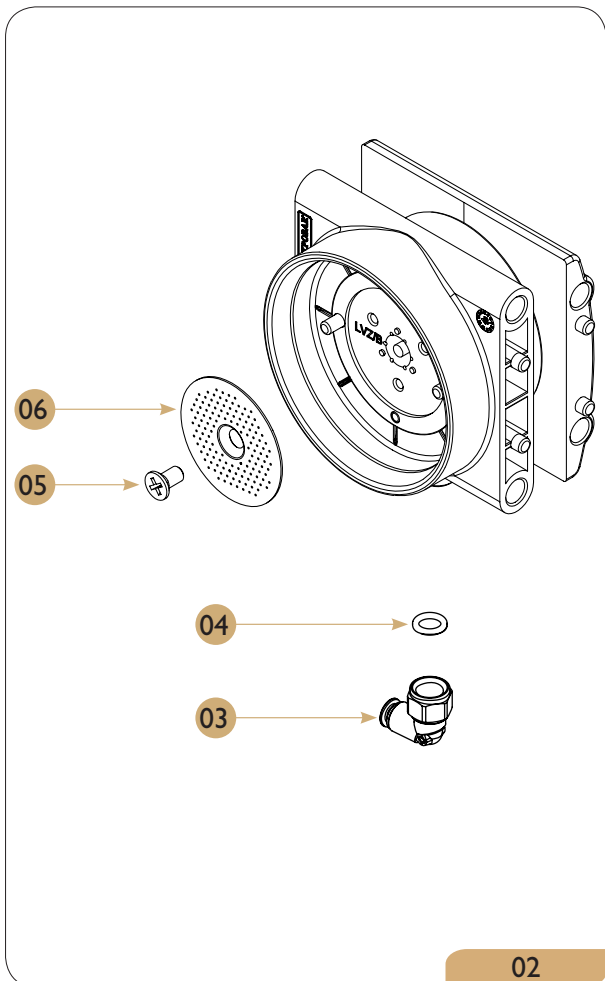
POS.	PCS	Part No.	Description
01	1	ESC81000	PORTACAPSULES CFT KIT AUTO-EJECT GROUP
02	1	ESC82000	CHAMBER CFT KIT AUTO-EJECT GROUP
03	1	30600009	AUTOMATIC ELBOW RACOR G1/8F - TUBE 4 FKM
04	1	50000112	GASKET D7x2 VMQ-70 (RED)
05	1	75200059	INF. NEEDLE AUTOEJECT GROUP
06	1	50000060	RETENTION GASKET AUTO-EJECT GROUP CFT
07	1	30210134	RETENTION RING AUTO-EJECT
08	1	75200057	NEEDLE SUPPORT CAPSULE CFT AUTOEJECT.
09	1	65000301	SETA VALVE PTFE EMULSIFYING
10	1	55000050	SPRING GASKET MUSHROOM TYPE
11	1	30370075	STEAM/WATER PIPE ROD
12	1	30210170	EXIT EMUL GROUP AUTO-EJECT
13	3	25200003	SCREW FOR PLASTIC 3 X 8
14	1	30210081	GROUP LEVER
15	1	ESC80000	KIT GROUP AUTO-EJECT CAPSULE CFT

Capsule group Lavazza

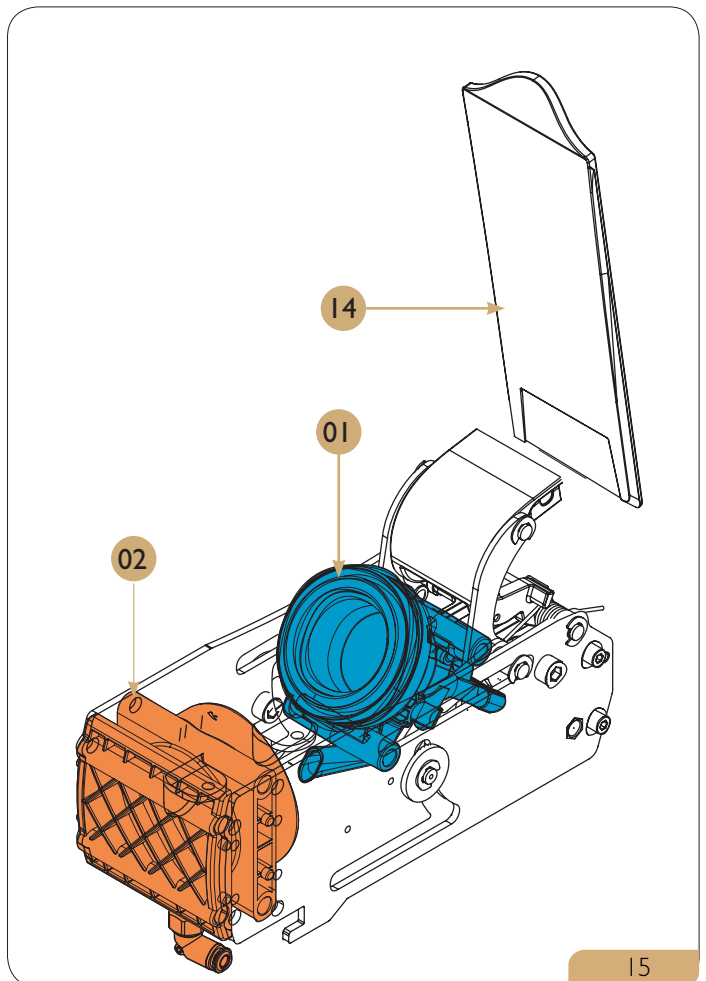
Drawing



01



02



15

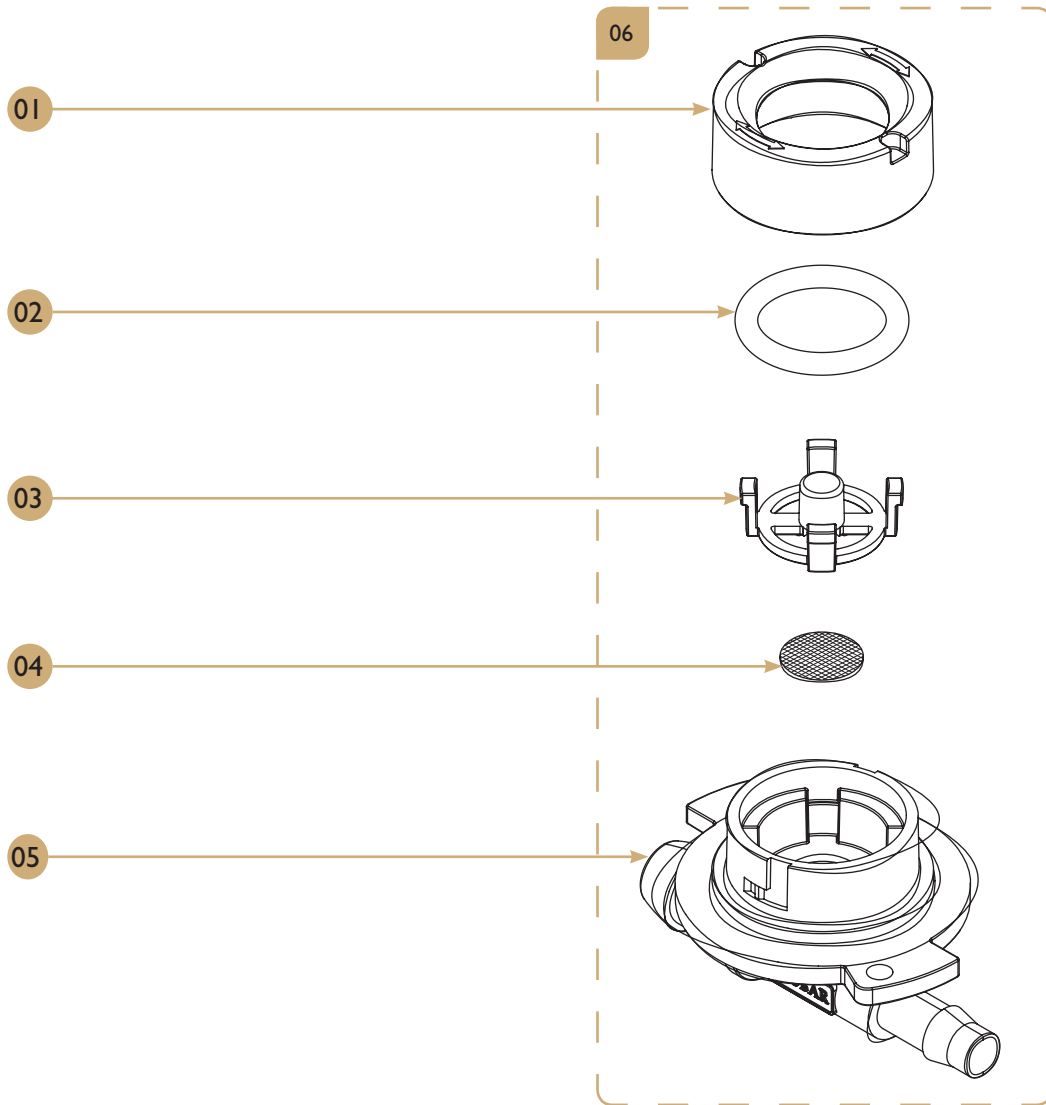
## Capsule group Lavazza

## Spare parts list

POS.	PCS	Part No.	Description
01	1	ESC81005	PORTACAPSULES LVZ KIT AUTO-EJECT GROUP
02	1	ESC82005	CHAMBER LVZ KIT AUTO-EJECT GROUP
03	1	30600009	AUTOMATIC ELBOW RACOR G1/8F - TUBE 4 FKM
04	1	50000112	GASKET D7x2 VMQ-70 (RED)
05	1	25096510	SCREW PHILIPS 4*8 (DIN 965)
06	1	75000015	SHOWER POD D-34
07	1	50000063	RETENTION GASKET AUTO-EJECT GROUP LVZ
08	1	30210134	RETENTION RING AUTO-EJECT
09	1	65000301	SETA VALVE PTFE EMULSIFYING
10	1	55000050	SPRING GASKET MUSHROOM TYPE
11	1	30370075	STEAM/WATER PIPE ROD
12	1	30210170	EXIT EMUL GROUP AUTO-EJECT
13	3	25200003	SCREW FOR PLASTIC 3 X 8
14	1	30210081	GROUP LEVER
15	1	ESC80005	KIT FOR LVZ CAPSULE AUTOEXP.

## Tank inlet

### Drawing

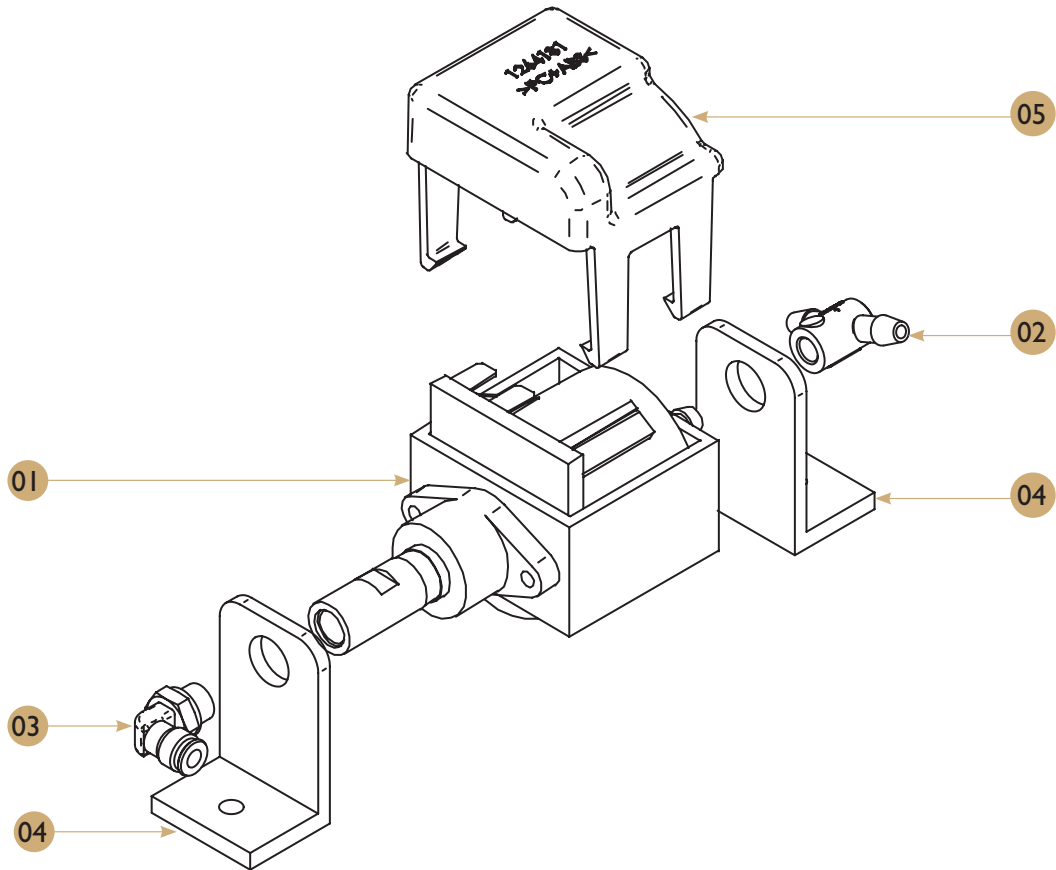


### Spare parts list

POS.	PCS	Part No.	Description
01	1	N/A	Tank Distributor Cover
02	1	N/A	Silicone O-Ring 17X3mm
03	1	N/A	Tank Distributor Button
04	1	N/A	Filter
05	1	N/A	Tank Distributor Valve
06	1	65000220	Tank Distributor Inlet Valve Assy.

## Vibration pump

Drawing

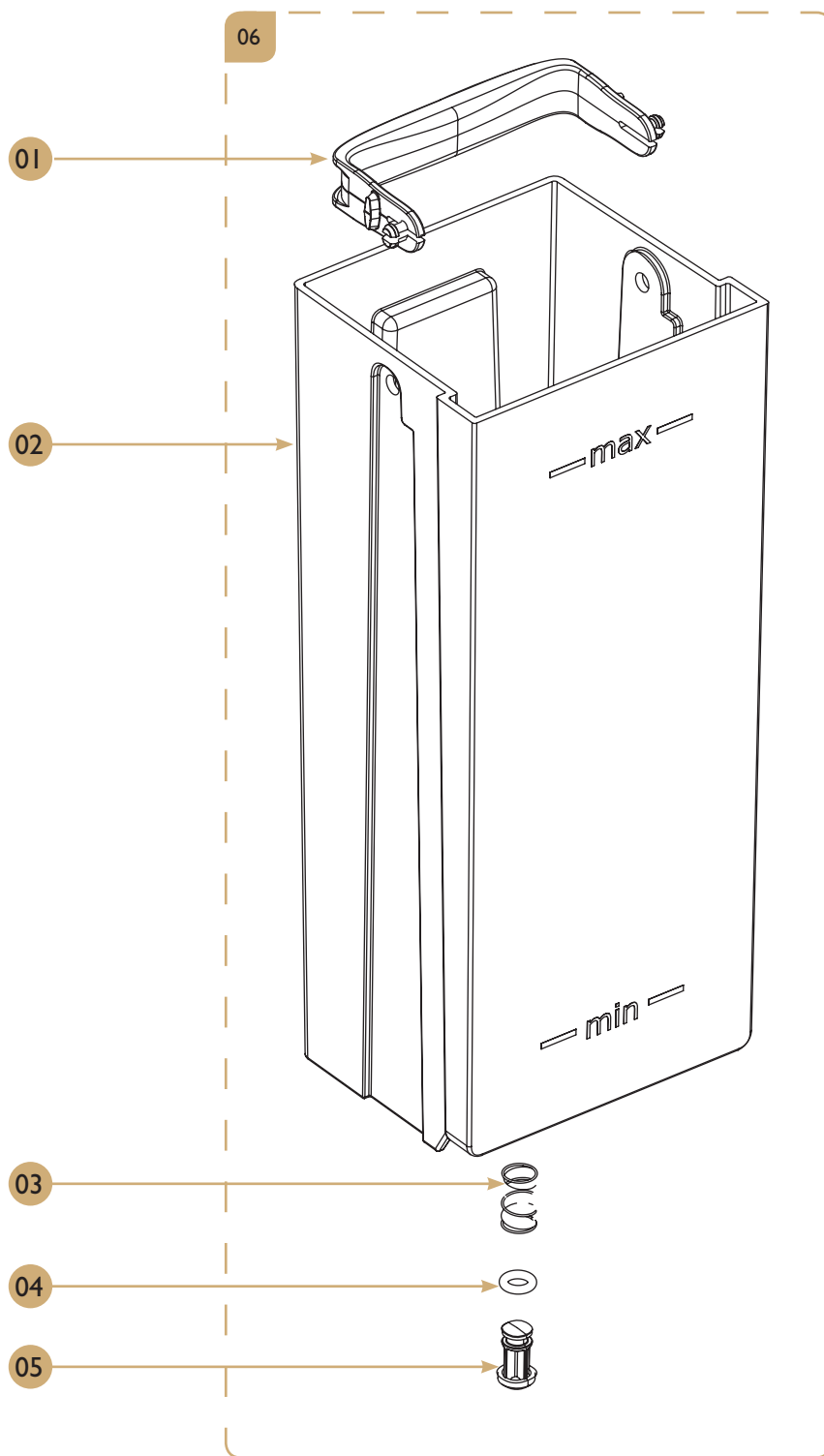


## Spare parts list

POS.	PCS	Part No.	Description
01	1	60000040	Pump 220V 50Hz
02	1	Q01264340	Connector T for Vibration Pump
03	1	30600008	Connector L male G1/8-Tube 4 Rotate
04	2	30400060	L Support Bracket
05	1	Q01264181	Pump Cover

Water tank

Drawing



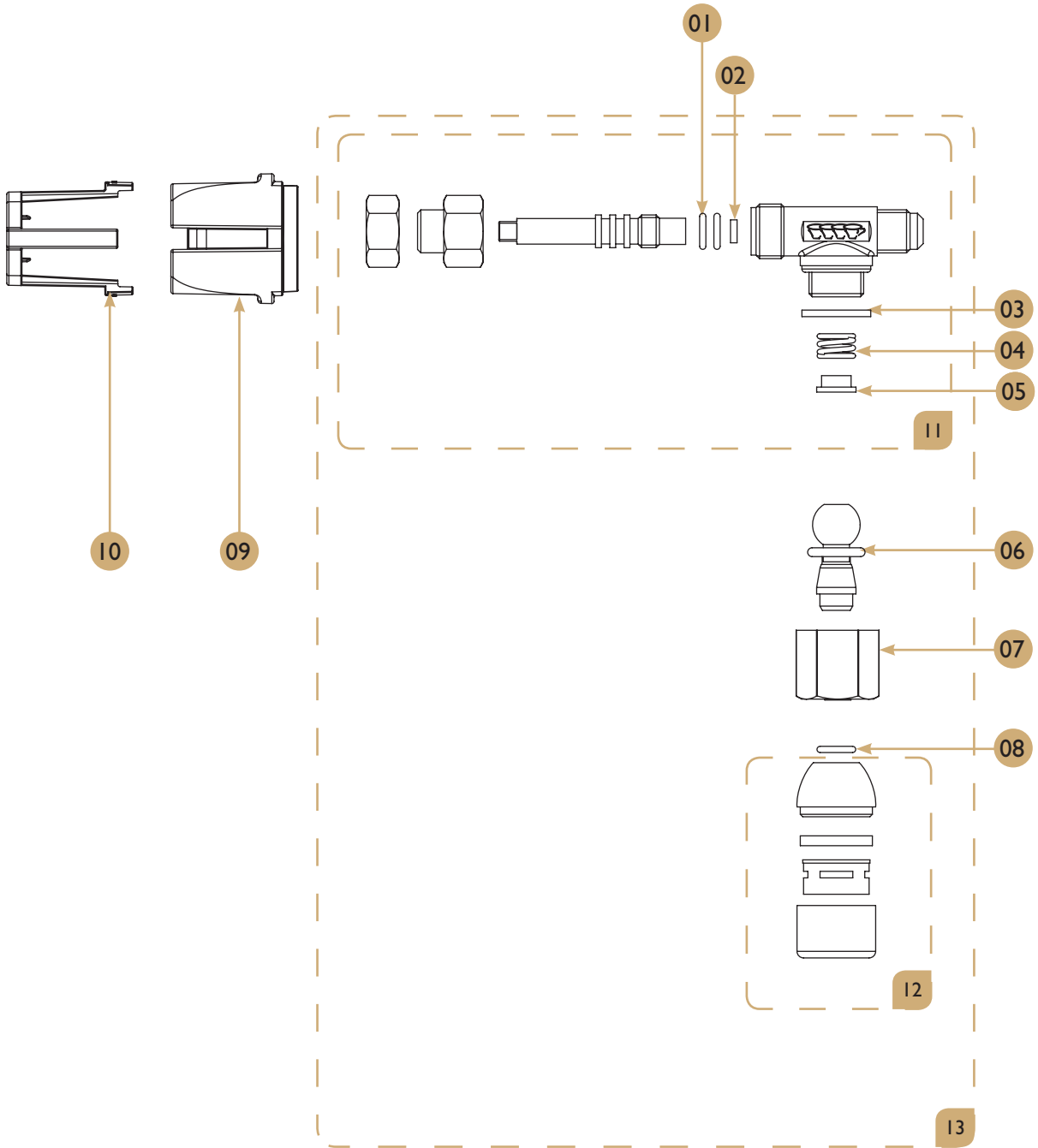
## Water tank

## Spare parts list

POS.	PCS	Part No.	Description
01	1	N/A	Tank Handle
02	1	N/A	Transparent Tank
03	1	N/A	Spring Tank Valve
04	1	N/A	Silicone O-Ring D6.02*2.62 Sh60a
05	1	N/A	Tank Valve Axis
06	1	Q02760065	Tank Assembly

Water tap

Drawing



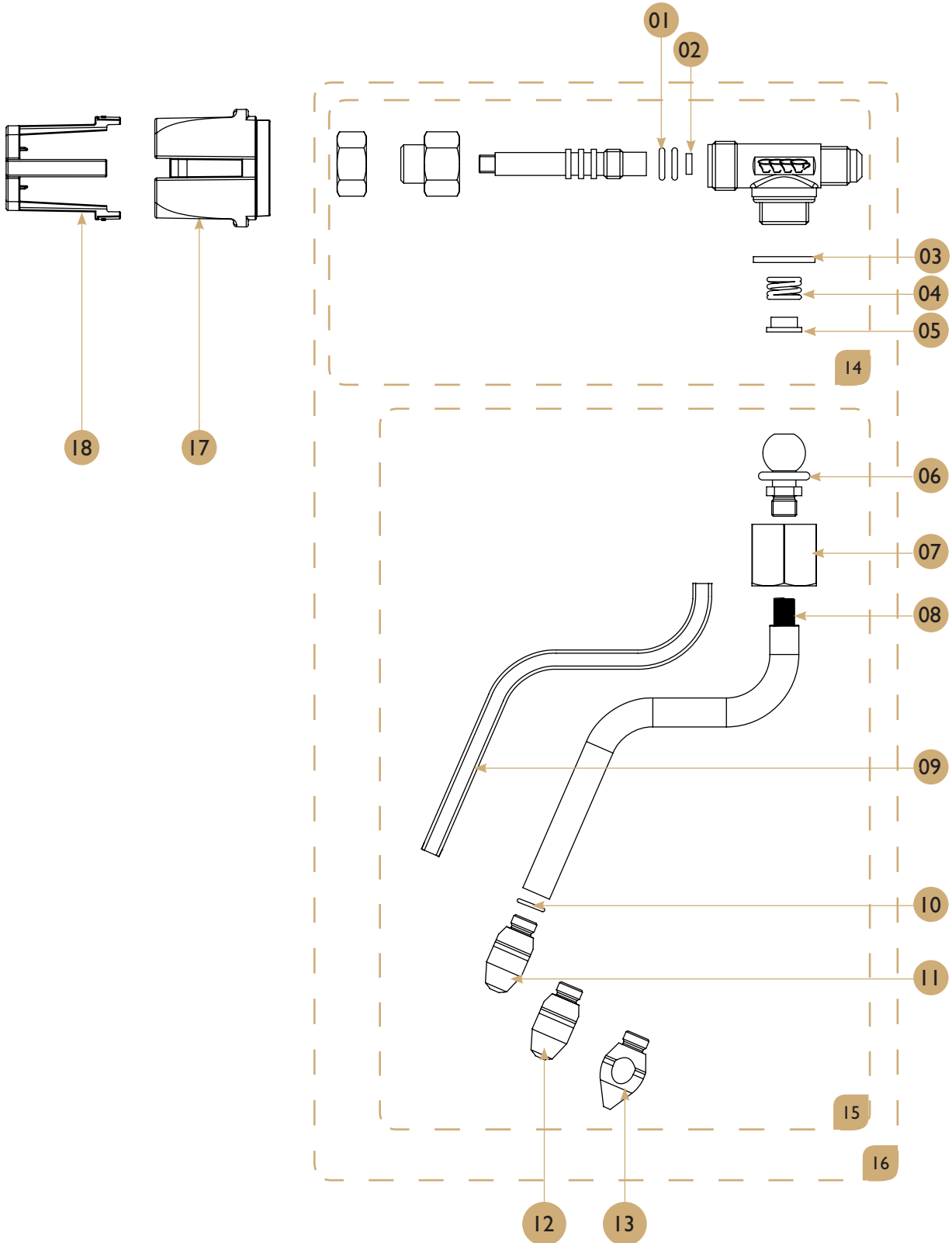
## Water tap

## Spare parts list

POS.	PCS	Part No.	Description
01	2	N/A	Tap Shaft Gasket
02	1	N/A	Tap Closing Disc
03	1	N/A	Tap Steam/Water Gasket Teflon
04	1	N/A	Spring Steam/Water Tap
05	1	N/A	Tap Steam/Water Gasket Brass
06	1	N/A	O-Ring 12.1X2.7mm
07	1	N/A	Nut 3/8
08	1	N/A	O-Ring 8 X 1.9
09	1	40000071	Steam/Water Tap Knob
10	1	30370122	Monogrammed Knob
11	1	15000336	Tap Body Assy.
12	1	30000050	Nozzle Assy.
13	1	15000331	Water Tap Assy.

Steam wand

Drawing



## Steam wand

## Spare parts list

POS.	PCS	Part No.	Description
01	2	N/A	Tap Shaft Gasket
02	1	N/A	Tap Closing Disc
03	1	N/A	Tap Steam/Water Gasket Teflon
04	1	N/A	Spring Steam/Water Tap
05	1	N/A	Tap Steam/Water Gasket Brass
06	1	N/A	O-Ring 12.1X2.7mm
07	1	N/A	Nut 3/8
08	1	N/A	Internal Spring (7X146x0,5)
09	1	N/A	Tube PTFE 4-6
10	1	N/A	O-Ring 6X1
11	1	N/A	Steam Tap Nozzle 2H M8.5 With O-ring
12	1	30370195	Steam Tap Nozzle 3H M8.5 With O-ring
13	1	30370190	Steam Tap Nozzle 1H M8.5 With O-ring
14	1	15000336	Tap Body Assy.
15	1	35010086	Steam Pipe
16	1	15000339	Steam Wand Assy.
17	1	40000071	Steam/Water Tap Knob
18	1	30370132	Monogrammed Knob