



**Heißluftöfen & Snackgeräte  
Mikrowellen**

Artikel-Nr. 213023 (CM 1069 A)

---

**Explosionszeichnung / Ersatzteile**

---

Bitte bei Ersatzteilbestellung immer Seriennummer mit angeben!

# 5. Exploded Views and Parts List

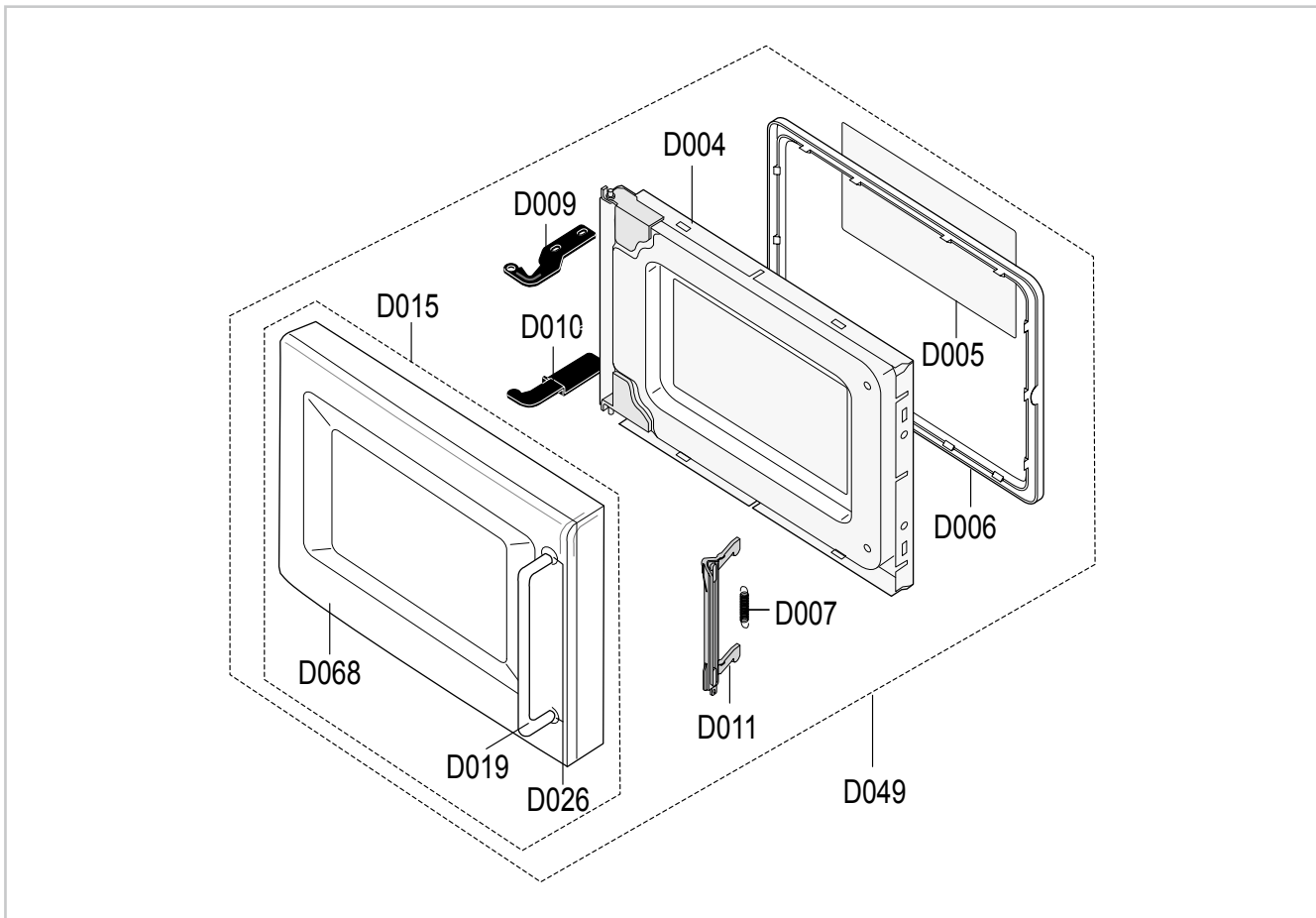
## 5-2 Main Parts List

(S.N.A : SERVICE NOT AVAILABLE)

Level	No.	Code No.	Description	Specification	Q'ty	SA/ SNA	Remark
1-1	M036	4713-001046	LAMP-INCANDESCENT	240V,104mA,25W,ORG,-,-	1	SA	-
1-1	M038	DE26-00051A	TRANS H.V	SHV-E1049A,230V,50HZ,2255V/3.5	1	SA	-
1-1	M049	DE31-10173C	MOTOR SYNCHRONOUS	-,SEMI-COMM,-,-,-,21V,	1	SA	-
1-1	W002	DE39-00234B	WIRE HARNESS-A	CM1049,-,-,-,-,-,-,-,-,-,	1	SA	-
1-1	M029	DE47-20173A	THERMOSTAT	PW-2N(90/60)30,187Y,250V7.5A,	1	SA	-
1-1	M002	DE63-90035G	CUSHION-RUBBER	-,DFA20,T2,W190,L100,-,-	1	SNA	O/PANEL-RIGHT
1-1	M001	DE64-01740A	PANEL-OUTER	CM1059/1069,STS 430,,T0.6,-,	1	SA	-
1-1	M051	DE71-00163A	COVER-CEILING	CM1049,-,T0.5,W122.2,L137.	1	SA	-
1-1	M037	DE71-60016E	COVER-AIR	CM1049,FH44N,-,-,-,-,-,SEMI-	1	SA	-
1-1	M052	DE73-90027A	FERRITE-CORE	NI-ZN,T13.8,W21.0,L28.0,BNF	1	SNA	-
1-1	M057	DE93-90112C	ASSY-B/RESISTOR	10W LB-TYPE 15OHM,TERMIN	1	SA	-
1-1	M017	DE96-00010C	ASSY NOISE FILTER	SN-3WED(12),250V12A,EU	1	SA	-
1-2	M019	3601-001019	FUSE-CARTRIDGE	250V,12A,SLOW-BLOW,CERAMI	1	SA	-
1-1	M020	DE96-00108A	ASSY-MOTOR FAN	SMF-1049,230V50HZ,2500RPM	1	SA	-
1-2	M023	DE31-10177C	MOTOR FAN	SMF-1049EA,-,-,230V50HZ,15MM,-	1	SA	-
1-2	H018	DE31-90051A	BLADE-FAN	P,P,T,D130,-,-,-,-	1	SA	-
1-2	P109	DE71-00061A	COVER-MOTOR	2&2 PROJECT,PP(TB53)95G,-,-,	1	SA	-
1-1	B018	DE96-00120Y	ASSY BODY LATCH	AMC6158/JMC9158,MAYTAG1.	1	SA	-
1-2	B002	3405-001032	SWITCH-MICRO	125/250VAC,16A,200GF,SPDT	1	SA	BODY LATCH
1-2	B001	3405-001034	SWITCH-MICRO	125/250VAC,16A,200GF,SPST-N	1	SA	Body Latch
1-2	B010	DE66-00093A	LEVER SWITCH (A)	NC2000 PP-TH53 NTR HA	1	SA	-
1-2	B011	DE66-00094A	LEVER-SWITCH(B)	NC2000,PP-TH53,-,-,-,-,N	1	SA	-
1-2	B017	DE66-00117D	LATCH-STOPPER	AMC6158/JMC9158,PP,-,-,-,B	1	SA	LATCH-UPPER
1-2	B026	DE66-00158A	LATCH-STOPPER(L)	MG1480STB/XAX,PP,-,-,-,	1	SA	LATCH-LOWER
1-2	B006	DE72-00137G	LATCH-BODY	AMC6158/JMC9158,PBT(VB-5050G)	1	SA	-
1-1	M155	DE96-00240G	ASSY BASE PLATE	SEMI COMM 1059/1069,-	1	SNA	-
1-2	M041	0402-001554	HVDIODE-RECTIFIER	HV03-12T01,12000V,0.4A	1	SA	-
1-2	M039	2501-001285	C-OIL	1.13UF,2100V(CLASS P),AL CAN TYPE,	1	SA	-
1-2	M040	DE61-00419A	BRACKET-HVC	CM1049,SECC,T0.8,-,-,-,-	1	SA	-
1-2	M042	DE91-70061H	ASSY-H.V.FUSE	THV060T-0900-H,5KV0.90A,WH	1	SA	-
1-2	M045	DE96-00042A	ASSY BASE PLATE-SUB	3RD-1.0,SEPARATE-HIN	1	SA	-
1-3	M047	DE61-40066A	FOOT	-,PP,-,BLK,-,-,-,-	1	SA	-
1-3	M048	DE80-10001G	BASE-PLATE	3RD,SGCC,T0.8,W345,L565,-,-	1	SNA	-
1-1	M015	DE96-00639A	ASSY POWER CORD	CEE(F),EUROPE,250V/15A,2	1	SA	-
1-1	P001	DE97-00190A	ASSY-STIRRER	CM1049,ALS	1	SA	-
1-2	T036	DE31-00009A	BLADE-STIRRER	CM1030M,ALP,-,-,-,T0.8,-	1	SA	-
1-1	T002	DE97-00191A	ASSY-TRAY CERAMIC	CM1049,T3.2,COMMERCIAL	1	SA	-
1-2	T108	DE61-00170A	FOOT-TRAY	CM1049,URETHANE,-,WHT,-,-,-	1	SNA	-
1-2	T002	DE74-00021A	TRAY-CERAMIC	CERAMIC,T3.0,-,-,-	1	SA	-
1-1	M035	OM75P(31)ESGN	ASSY-MGT		1	SA	-

## 5. Exploded Views and Parts List

### 5-3 Door Parts List

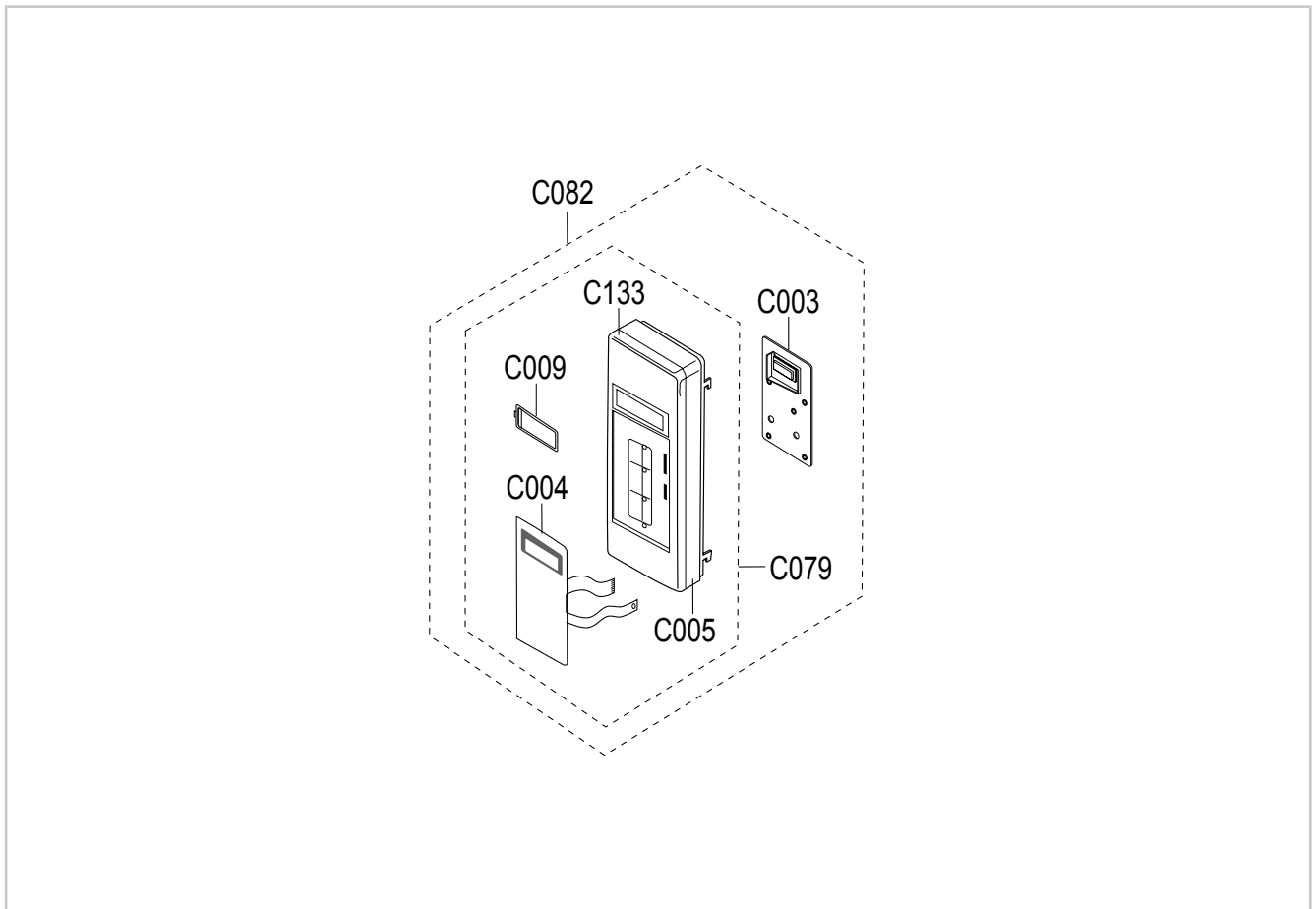


(S.N.A : SERVICE NOT AVAILABLE)

Level	No.	Code No.	Description	Specification	Q'ty	SA/SNA	Remark
1-1	D049	DE94-01534A	ASSY DOOR	CM1069,-,SUS+ABS,INVERTER	1	SA	-
1-2	D005	DE01-00002B	FILM-DOOR	-,PC,-,175,T0.15,275,MW5574W,-	1	SA	-
1-2	D007	DE61-00199A	SPRING-KEY	M1977,HSWR,D6,-,-,25 1/4,-,T0	1	SA	-
1-2	D009	DE61-80002A	HINGE-UPPER	WHT,SHV-745CC1,SSEC,T2.3,26,	1	SA	-
1-2	D010	DE61-80003A	HINGE-LOWER	WHT,TN-5630T,SSEC,T2.3,26,77	1	SA	-
1-2	D006	DE64-40012A	DOOR-C	-,RESIN-PP(TB53),BLACK,-,-,-,CE94	1	SA	-
1-2	D004	DE92-50127H	ASSY DOOR-E	COATING,BLACK,T0.8	1	SA	-
1-2	D015	DE94-01532A	ASSY DOOR-SUB	CM1069,-,SUS,INVERTER	1	SA	-
1-3	D019	DE64-00076C	HANDLE	CMO EUROPE,CK99FS,ZN DIE CASTING,	1	SA	-
1-3	D026	DE64-00077A	HANDLE-COVER	CK99FS,PC,-,-,-,-,-	1	SA	-
1-3	D068	DE80-00009A	CHASSIS-DOOR	CK99FS,STS,-,-,-,-,-	1	SA	-
1-2	D011	DE97-00310A	ASSY-DOOR KEY	CONV ALL,DOOR KEY+GREASE,-	1	SA	-

## 5. Exploded Views and Parts List

### 5-4 Control Parts List



(S.N.A : SERVICE NOT AVAILABLE)

Level	No.	Code No.	Description	Specification	Q'ty	SA/SNA	Remark
1-1	C082	DE94-00394L	ASSY CONTROL-BOX	240V/50HZ,CM1069/XEU,-,	1	SNA	-
1-2	C079	DE94-00393K	ASSY CONTROL-SUB	240V/50HZ,CM1069/XEU,-,	1	SA	-
1-3	C004	DE34-00097C	SWITCH MEMBRANE	CM1069/XEU,-,W83.4 L201.	1	SA	-
1-3	C009	DE67-40179A	WINDOW-DISPLAY	SAN,T2.0,-,-,SMOG,-,3RD-W	1	SA	-
1-3	C005	DE72-00101A	CONTROL-PANEL	CM1030M,ABS,-,-,-,D/GRAY	1	SA	-
1-3	C133	DE80-00017A	CHASSIS-PANEL	CM1030M,STS,-,-,-,-	1	SA	-
1-2	C003	RCS-CM1020B-01	ASSY PCB PARTS	CM1049,230V50Hz	1	SA	-

## 5. Exploded Views and Parts List

### 5-5 Standard Parts List

(S.N.A : SERVICE NOT AVAILABLE)

Level	Code No.	Description	Specification	Q'ty	SA/ SNA	Remark
1-1	6002-001250	SCREW-TAPPING	TH,+2,M4,L8,Tin-Ni,SWRC18	2	SNA	O/PANEL RIGHT
1-1	6006-001170	SCREW-ASSY TAPP	WS,TH,+M4,L10,ZPC(YEL)	3	SA	PCB-EAR
1-1	6006-001176	SCREW-ASSY TAPT	WT,PH,+M4,L8,ZPC(YEL)	1	SNA	DRIVE MOTOR
1-1	DE60-10080A	SCREW-WASHER	-,,-,-,M5,L12,-,2S,-,-	2	SA	MGT
1-1	DE60-10082I	SCREW-A	-,,-,-,2S-4X10,FEFZY,-,-,-,-	7	SA	TCO
1-1	DE60-10199A	SCREW-WASHER	-,MSWR18C,4,L10,TH(WASHER),	1	SA	BKT RESISTOR
1-1	DE60-20063A	BOLT-FLANGE	M4,10,ZPC3,YEL,MSWR,-,-,-,-	2	SNA	HINGE UPPER
1-2	6002-000630	SCREW-TAPPING	PH,+2S,M3,L8,ZPC(YEL),SWR	1	SA	PCB
1-3	DE60-10082I	SCREW-A	-,,-,-,2S-4X10,FEFZY,-,-,-,-	1	SA	HANDLE
1-2	DE60-10104A	SCREW-TAP	-,,-,FZY(MSWR10),-,PH,+M4X25,-,	1	SNA	
1-2	6006-001176	SCREW-ASSY TAPT	WT,PH,+M4,L8,ZPC(YEL)	1	SNA	BKT HVC & DIODE
1-3	6006-001170	SCREW-ASSY TAPP	WS,TH,+M4,L10,ZPC(YEL)	1	SA	COVER MOTOR