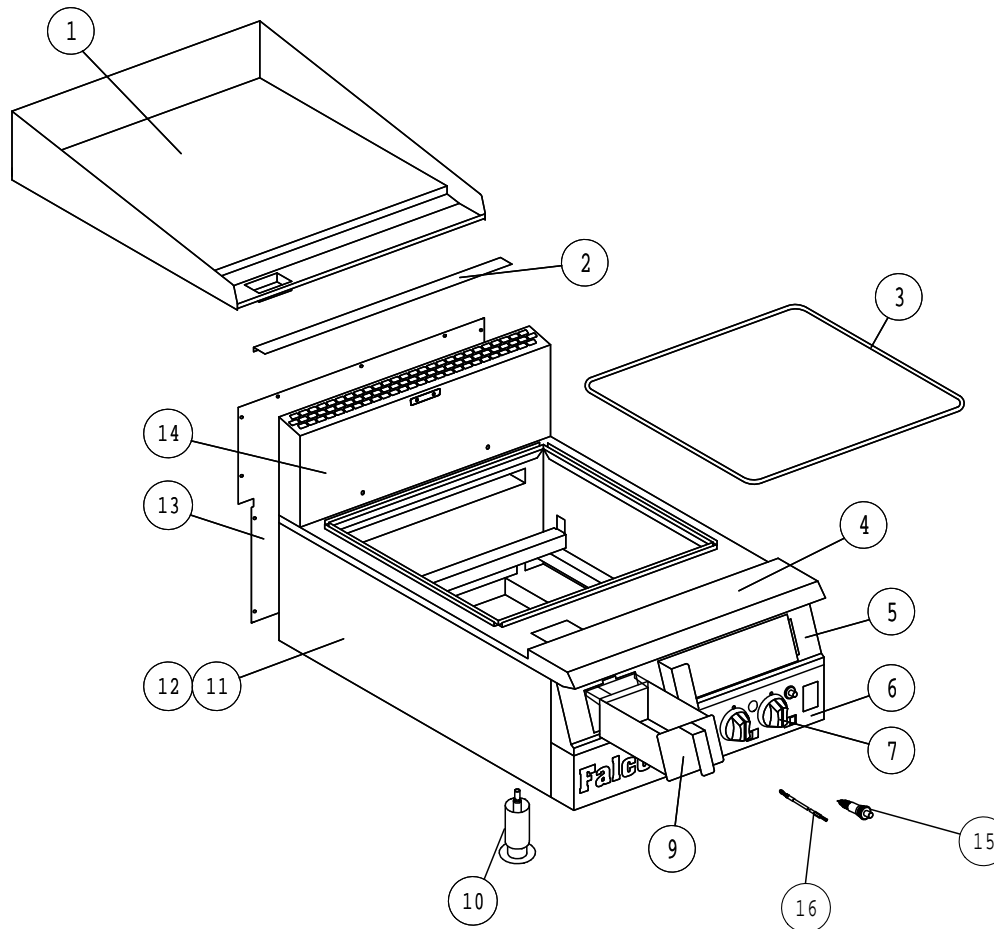
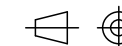


IF IN DOUBT ASK!!

DO NOT SCALE !!

First Angle Projection



G2642B CHROME GRIDDLE - FITMENTS

Part No.	Spares No.	Description
1	535800001	Griddle Plate Assembly
2	535800014	Capping Channel
3	535800002	Rope Seal
4	535800003	Hob Assembly
5	535820007	Upper Front Facia Assembly
6	535800132	Lower Front Facia
7	535800004	Control Knob
8	535820012	Magnetic Door Catch (Not Shown)
9	535820011	Fat Jug Assembly
10	536000043	Adjustable Foot
11	535820015	Outer Side Panel - LH
12	535820016	Outer Side Panel - RH
13	535800005	Outer Back Panel
14	535800006	Flue Panel
15	535010000	Spark Igniter
16	535010002	Spark Igniter Earth Wire

All dimensions in millimetres, Tolerance- Linear $\pm 0.5\text{mm}$ Angular $\pm 0.5^\circ$ (or as stated). All sharp edges to be removed from sheet metal parts.

A		1151/2	PRODUCTION ISSUE	S. MOONEY	20/4/07
Issue	Mod No.	Alteration		Zone	Date



Drawn	S. MOONEY	Product	G2642B CHROME GRIDDLE	
Date	20/4/07	Title	SPARES DIAGRAM - FITMENTS	
Scale	N.T.S.	Matl.	_____	Drawing Number
No. off	_____	Finish	_____	Issue
Bin No.	_____	Kraus No.	T111771	AD45491
				A

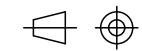
No reproduction or publication of this drawing may be made and no article may be manufactured or assembled in accordance with this drawing without prior written consent. This prohibition is a term of any contract relating to this drawing. Rights reserved under the Copyright Act 1956 as amended by the Design Copyright Act 1968.

This part is common to the following units

IF IN DOUBT ASK!!

DO NOT SCALE !!

First Angle Projection



G2642b CHROME GRIDDLE - CONTROLS

Part No.	Spares No.	Description
15	535830012	Burner Injector (Natural Gas)
16	535820020	Injector Holder (Propane Gas)
17	535830013	Amal Jet (Propane Gas)
18	535820022	Pilot Burner
19	535820023	Pilot Jet (Natural Gas)
20	535820024	Pilot Jet (Propane Gas)
21	535820025	Thermocouple
22	535820026	Gas Governor (Natural Gas)
23	535820027	Burner
24	535820028	Burner Aeration Shroud
25	535800133	Float Rail Assembly
26	535820030	Pressure Test Nipple (Not Shown)
27	535800008	Gas Control Valve (Natural Gas)
28	535800008	Gas Control Valve (Propane Gas)
29	535800009	RH Burner Pipe (Tap To Elbow)
30	535800010	RH Burner Pipe (Elbow To Burner)
31	535800131	LH Burner Pipe
32	535800012	RH Pilot Pipe
33	535800013	LH Pilot Pipe
34	535100895	Pilot Electrode

All dimensions in millimetres, Tolerance- Linear $\pm 0.5\text{mm}$ Angular $\pm 0.5^\circ$ (or as stated). All sharp edges to be removed from sheet metal parts.

A		1151/2	PRODUCTION ISSUE	S. MOONEY	23/4/07
Issue	Mod No.	Alteration		Zone	Drawn by
<p>This part is common to the following units</p>					



Drawn	S. MOONEY	Product	G2642b CHROME GRIDDLE		
Date	23/4/07	Title	SPARES DIAGRAM - CONTROLS		
Scale	N. T. S.	Matl.	_____	Drawing Number	Issue
No. off	_____	Finish	_____	AD45492	A
Bin No.	_____	Kraus No.	T111772		

No reproduction or publication of this drawing may be made and no article may be manufactured or assembled in accordance with this drawing without prior written consent. This prohibition is a term of any contract relating to this drawing. Rights reserved under the Copyright Act 1956 as amended by the Design Copyright Act 1968.