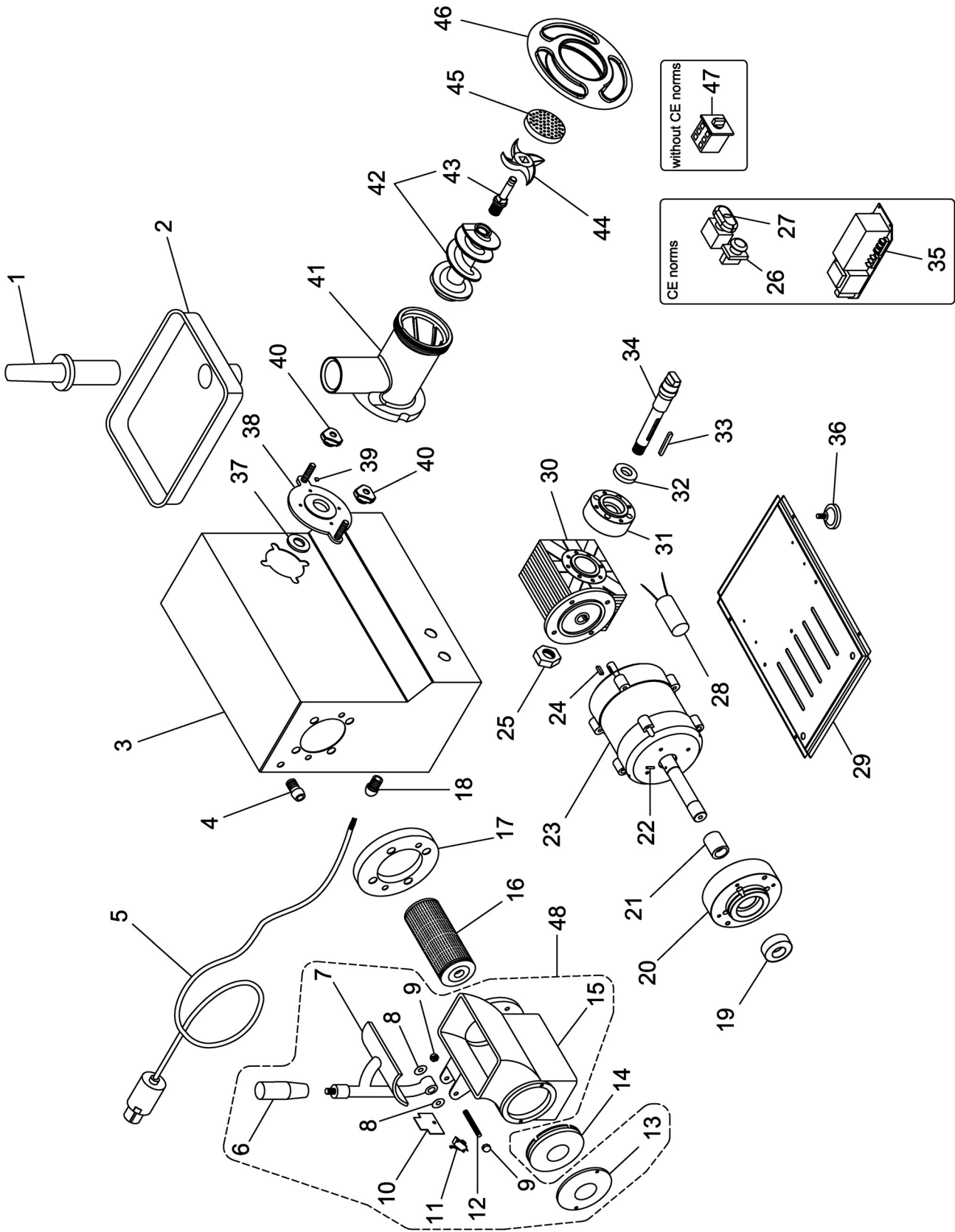


AB22ATQ0



AB22ATQ0

Pos. Ref.	Codice Code		Caratteristiche Features	Descrizione Description	
1	SL0134	●		Pestello	Pusher
2	SL0135			Tramoggia	Hopper
3	SL2501			Carcassa	Housing
4	SL0983		ø8 - 1/4"	Pressacavo	Cable clamp
5	SL1841		3Ph+Gnd	Cavo elettrico	Electric cable
5	SL1671		1Ph+N+Gnd	Cavo elettrico	Electric cable
6	SL0106	●		Impugnatura	Grip
7	SA1113			Pressore	Lever press
8	SL3140			Rosetta	Washer
9	SL0108			Dado	Nut
10	SL3138			Copertura	Covering
11	SL0885	●		Microinterruttore	Microswitch
12	SL0258			Prigioniero	Stud
13	SL2833			Coperchio	Cover
14	SL2573			Tappo	Tap
15	SA1012		Assembly	Bocca	Casing
16	SA2800			Rullo	Roller
17	SL2537			Flangia	Flange
18	SL1668		PG11	Pressacavo	Cable clamp
19	SL0118		6205 2RS	Cuscinetto	Bearing
20	SL2535		Three-phase	Flangia	Flange
20	SL2536		Single-phase	Flangia	Flange
21	SL2539		Three-phase	Distanziale	Spacer
21	SL2538		Single-phase	Distanziale	Spacer
22	SL0121		ø5x10	Spina	Pin
23	SA1049		400V/3Ph/50Hz	Motore	Motor
23	SA1050		230V/1Ph/50Hz	Motore	Motor
24	SL0010		5x5x10	Linguetta	Key
25	SL2493		M16x1.5	Dado	Nut
26	SL0807	●	Stop	Pulsante	Push button
27	SA1083	●	Start-reverse	Pulsante	Push button
28	SL2311		25µF	Condensatore	Condenser
29	SL2504			Fondo	Bottom
30	SL2357			Riduttore	Gear box
31	SL3457			Flangia	Flange
32	SL2590		51205	Cuscinetto	Bearing
33	SL2317		6x6x60	Linguetta	Key
34	SL2529			Albero	Shaft
35	SL0999	●		Scheda elettronica	Electronic card
36	SL1610			Piedino	Foot
37	SL0232		ø30xø52x10	Paraolio	Oil seal
38	SL2531			Flangia	Flange
39	SL2547			Tappo	Tap
40	SL2924	●		Pomello	Knob
41	SL3986		Stainless-steel	Bocchettone	Sleeve
41	SL2523R0		Food stuff treated cast-iron (without CE norms)	Bocchettone	Sleeve
41	SL3987		Unger	Bocchettone	Sleeve
42	SA5500	●	Stainless-steel	Elica	Screw shaft
42	SA5400		Food stuff treated cast-iron (without CE norms)	Elica	Screw shaft
42	SA5700		Unger	Elica	Screw shaft
43	SL0823			Perno	Pivot
43	SL0824		Unger	Perno	Pivot
44	//////////	●		Coltello	Cutter
45	//////////	●		Piastra	Plate
46	SL0197		Stainless-steel	Volantino	Handwheel
46	SL3328R0		Aluminium (without CE norms)	Volantino	Handwheel
47	SL0247			Invertitore	Reversing gear
48	SA1119		Assembly	Bocca	Casing

(*): fuori produzione / out of production ● : ricambio consigliato / spare part suggested