

ESPLOSO PENTOLA GAS
EXPLODED DRAWING GAS PAN
EXPLOSION-ZEICHNUNG GAS KOCHKESSEL
VUE ÉCLATÉE MARMITE GAZ

Mod. PM9.G..GN



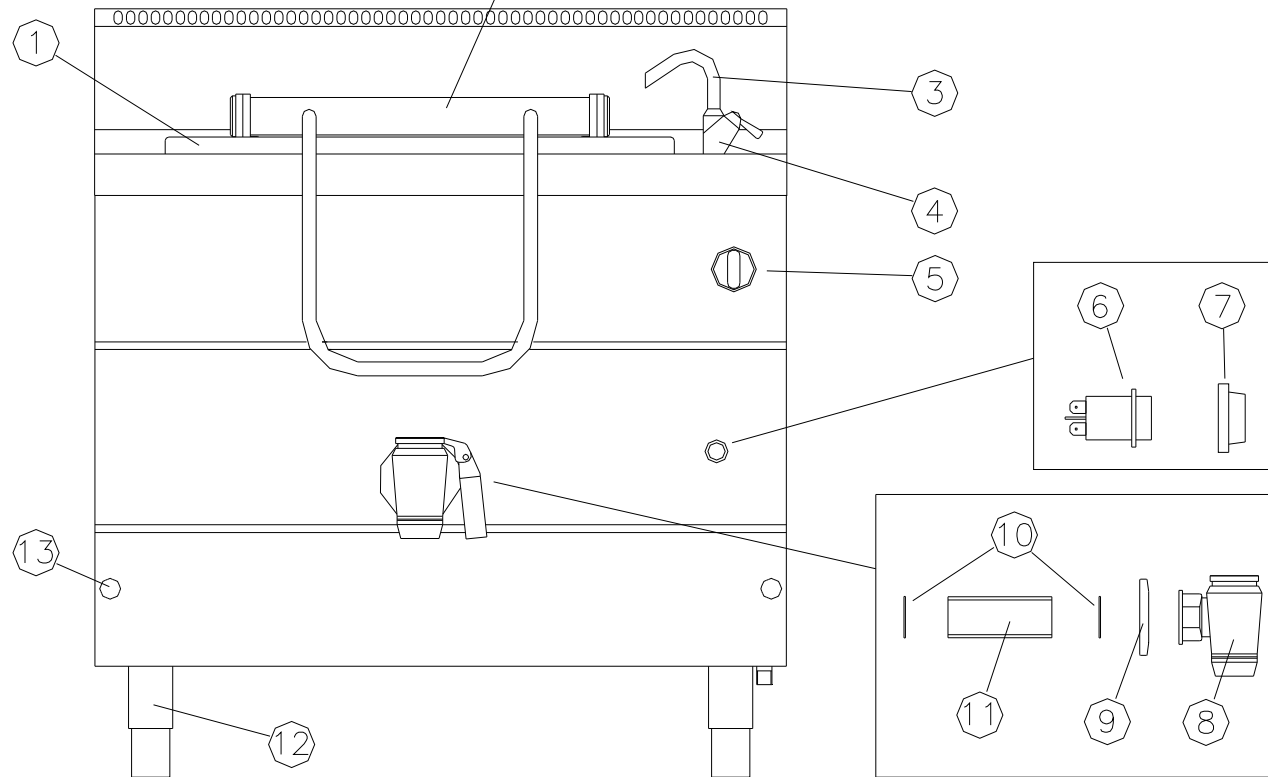
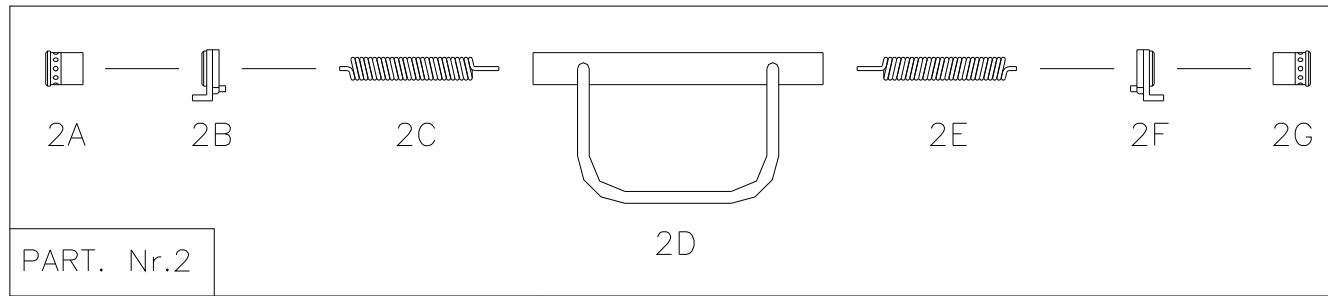
PENTOLE 170/270/370LT GAS DIRETTO

DIRECT-GAS PANS 170/270/370LT

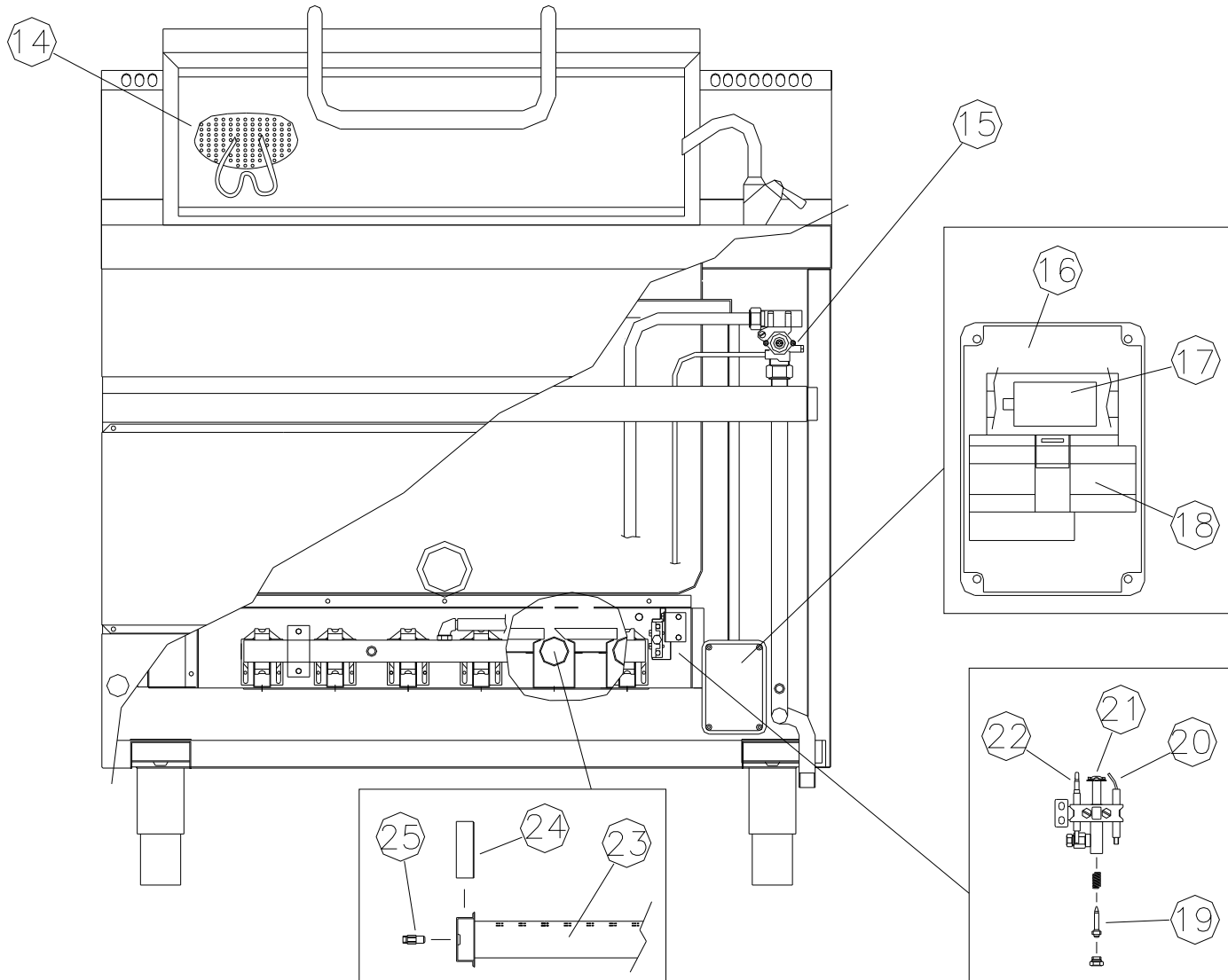
DIREKT-GAS KOCHKESSEL 170/270/370LT

MARMITES 170/270/370LT GAZ DIRECT

Mod. PM9DG...GN



Mod. PM9DG...GN



Pos.	Mod.		Cod.	Descrizione I	Description GB	Beschreibung D	Description F
01	PM9.G170GN		FXSMP3160-00	Coperchio	Lid	Deckel	Couvercle
	PM9.G270GN		FXSMP3162-00				
	PM9.G370GN		FXSMP3164-00				
02	PM9.G...GN		FX20300130	Cerniera	Hinge	Scharnier	Charnière
03	PM9.G...GN		FX30200068	Canna rubinetto	Water cock	Leitung Wasserzufuhr	Tuyau robinet
04	PM9.G...GN		FX30200077	Rubinetto gruppo monoforo	Mixer tap 1 Hole connection	Hahngruppe – Einweg	Robinet groupe-monotrou
05	PM9.G...GN		FX20200001	Manopola gas	Knob gas	Knebel gas	Manette gaz
06	PM9.G...GN		FX40100034	Pulsante accensione	Starting botton	Elektr. Zundung Shalter	Touche allumage
07	PM9.G...GN		FX40100036	Copri pulsante accensione	Covering botton Transparent	Decke Shalter Transparent	Couverture touche Transparente
08	PM9.G...GN		FX30200198	Rubinetto di scarico 2"	Tap 2"	Armaturo 2"	Robinet 2"
09	PM9.G...GN		FX10200002	Borchia per rub. Scarico 2"	Tap boss 2"	Stützring für Auslaßhahn 2"	Rondelle pour robinet 2"
10	PM9.G...GN		FX10500060	Guarniz.teflon Ø 60x46x2	Teflon Washer Ø 60x46x2	Dichtung Teflon Ø 60x46x2	Joint téflon Ø 60x46x2
11	PM9.G...GN		FX10400008	Nipples di scarico 2"	Nipples	Nipple	Ecrou
12	PM9.G...GN		FX20100020	Ass. piedino da 2"	Foot 2"	Fuss 2"	Pied 2"
13	PM9.G...GN		FX20200024	Manopola	Knob	Knebel	Manette
14	PM9.G...GN		FX30700122	Filtro per pentola	Kettle Filter	Filter kochkessel	Filtre marmite
15	PM9.G...GN		FX30100003	Rubinetto gas	Gas cock	Gashahn	Robinet gaz
16	PM9.G...GN		FX40200132	Cassetta chiusa GW44205	Box GW44205	Schachtel GW44205	Boîte GW44205
17	PM9.G...GN		FX40200108	Pila accensione 1,5 v	Pile 1,5V x ignition	Batterie 1,5V x Zundsystem	Pile 1,5V x allumage
18	PM9.G...GN		FX40200106	Trasformatore x accensione	Transformer x ignition	Transformator x Zundsystem	Transformateur x allumage
19	PM9.G...GN		FX30500003 FX30500004	Ø 40 x G20 x G25 Ø 25 x G30			
20	PM9.G...GN		FX30100050	Candela	Ignitor	Kerze	Bougie
21	PM9.G...GN		FX30100005	Pilota 3 vie D.6	Pilot D.6	Zündflammenbrenner D.6	Pilote 3 voies D.6
22	PM9.G...GN		FX40400100	Termocoppia L=1200	Thermocouple	Thermoelement	Thermocouple
23	PM9.G...GN	C	FX30400010	Brucciato	Burner	Brenner	Brûleur
24	PM9.G...GN		FXSC1404-00	Squadretta regolazione aria	Air regulator	Luftregler	Régulateur d'air
				Ugello	Injector	Düse	Gicleur

25	PM9.G170GN	FX30500048	G20 Ø175	G20 Ø175	G20 Ø175	G20 Ø175
		FX30500052	G25 20 mbar Ø190	G25 20 mbar Ø190	G25 20 mbar Ø190	G25 20 mbar Ø190
		FX30500054	G25 25 mbar Ø180	G25 25 mbar Ø180	G25 25 mbar Ø180	G25 25 mbar Ø180
		FX30500036	G30 50 mbar Ø100	G30 50 mbar Ø100	G30 50 mbar Ø100	G30 50 mbar Ø100
		FX30500042	G30 29 mbar Ø115	G30 29 mbar Ø115	G30 29 mbar Ø115	G30 29 mbar Ø115
	PM9.G270GN	FX30500050	G20 Ø170	G20 Ø170	G20 Ø170	G20 Ø170
		FX30500052	G25 20 mbar Ø190	G25 20 mbar Ø190	G25 20 mbar Ø190	G25 20 mbar Ø190
		FX30500054	G25 25 mbar Ø180	G25 25 mbar Ø180	G25 25 mbar Ø180	G25 25 mbar Ø180
FX30500056		G30 50 mbar Ø95	G30 50 mbar Ø95	G30 50 mbar Ø95	G30 50 mbar Ø95	
	FX30500058	G30 29 mbar Ø110	G30 29 mbar Ø110	G30 29 mbar Ø110	G30 29 mbar Ø110	

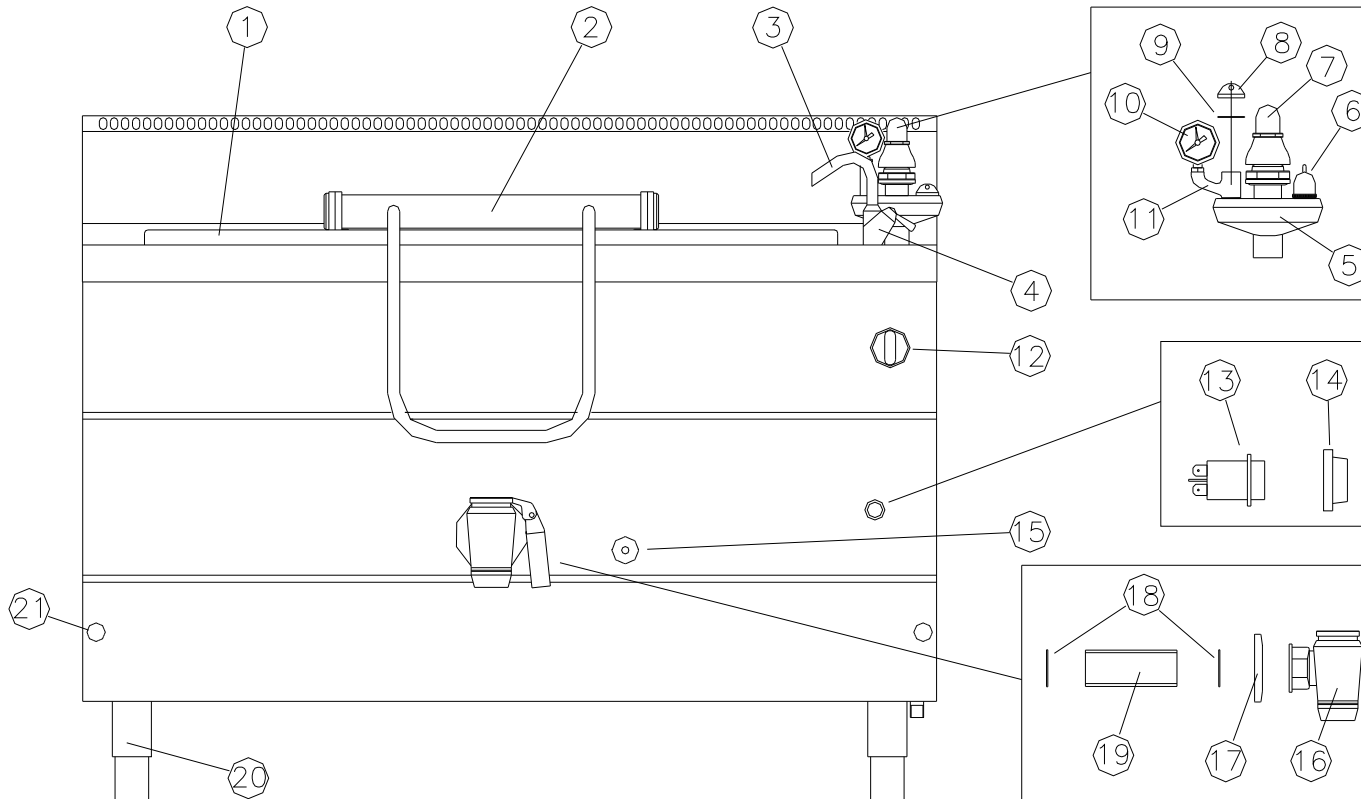
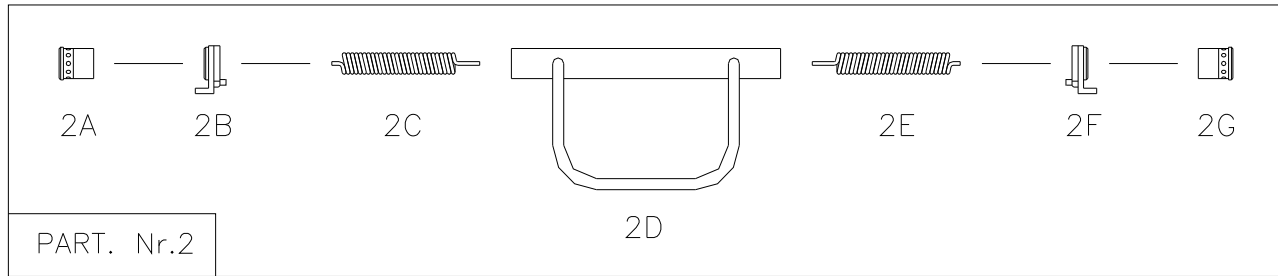
PENTOLE 170/270/370LT GAS INDIRECTO

INDIRECT-GAS PANS 170/270/370LT

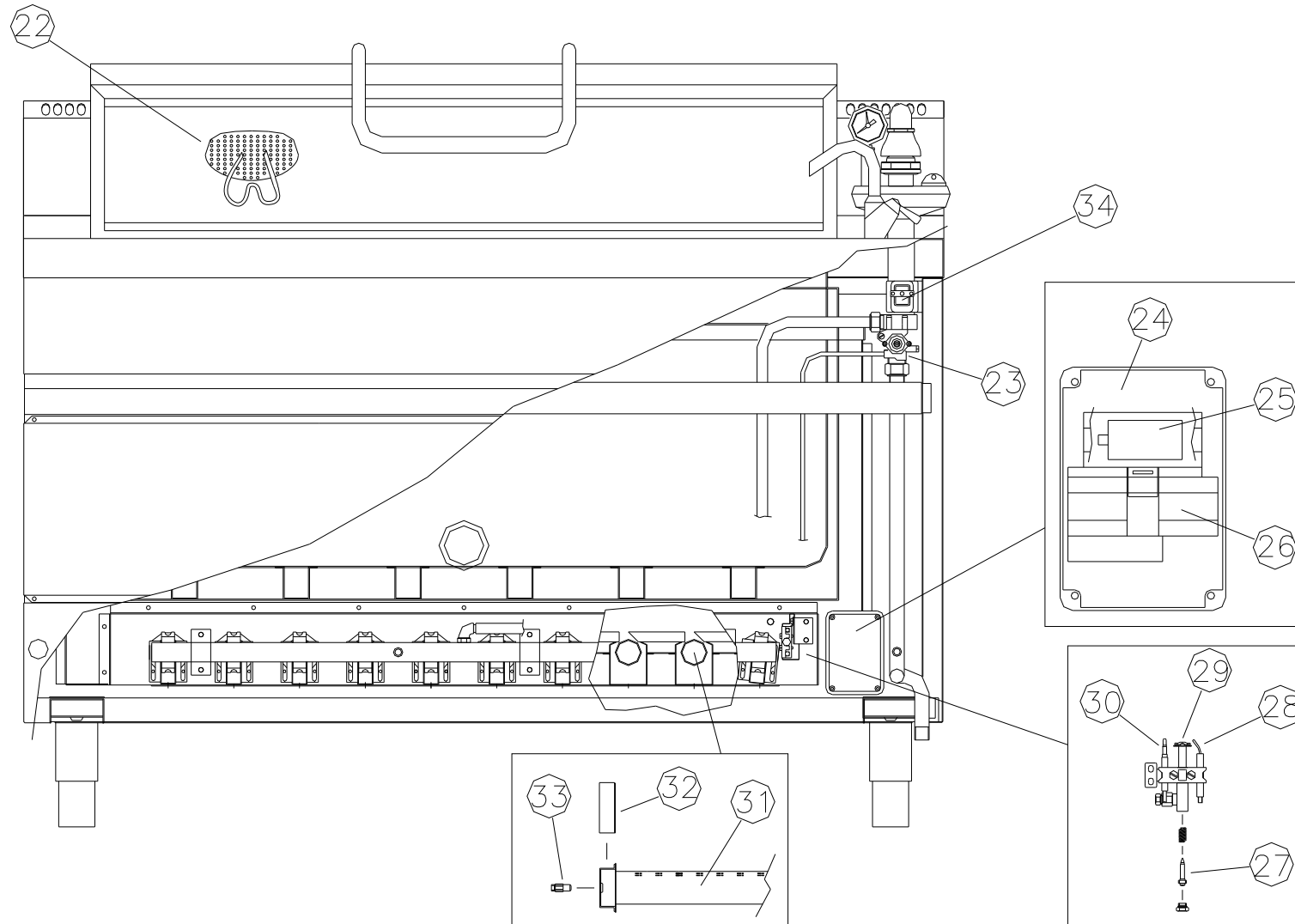
INDIREKT-GAS KOCHKESSEL 170/270/370LT

MARMITES 170/270/370LT GAZ INDIRECT

Mod. PM9IG...GN



Mod. PM9IG...GN



Pos.	Mod.	Cod.	Descrizione I	Description GB	Beschreibung D	Description F
01	PM9.G170GN	FXSMP3160-00	Coperchio	Lid	Deckel	Couvercle
	PM9.G270GN	FXSMP3162-00				
	PM9.G370GN	FXSMP3164-00				
02	PM9.G...GN	FX20300130	Cerniera	Hinge	Scharnier	Charnière
03	PM9.G...GN	FX30200068	Canna rubinetto	Water cock	Leitung Wasserzufuhr	Tuyau robinet
04	PM9.G...GN	FX30200077	Rubinetto gruppo monoforo	Mixer tap 1 Hole connection	Hahngruppe – Einweg	Robinet groupe-monotrou
05	PM9IG...GN	FX30300070	Supporto	Tube-socket/Pressure gauge	Tragstück ventil/Druchanzeiger	Support
06	PM9IG...GN	FX30300060	Valvola depressione ¾"	Depression valve ¾"	Druckabfallventil ¾"	Soupape de dépression ¾"
07	PM9IG...GN	FX30300008	Valvola di sicurezza 0,5bar	Safety valve 0,5 bar	Sicherheitsventil 0,5 bar	Soupape de sécurité 0,5 bar
08	PM9IG...GN	FX10400061	Tappo ¾"	Plug ¾"	Pfropfen ¾"	Bouchon ¾"
09	PM9IG...GN	FX10500110	O-Ring Ø28	O-Ring Ø28	O-Ring Ø28	O-Ring Ø28
10	PM9IG...GN	FX30300022	Manometro	Pressure gauge	Druchanzeiger	Manomètre
11	PM9IG...GN	FX30300071	Prolunga	Extension	Verlängerung	Prolonge
12	PM9.G...GN	FX20200001	Manopola gas	Knob gas	Knebel gas	Manette gaz
13	PM9.G...GN	FX40100034	Pulsante accensione	Starting botton	Elektr. Zundung Shalter	Touche allumage
14	PM9.G...GN	FX40100036	Copri pulsante accensione	Covering botton Transparent	Decke Shalter Transparent	Couverture touche Transparente
15	PM9IG...GN	FX30200050	Rubinetto di livello	Level tap	Niveauhahn	Robinet de niveau
16	PM9.G...GN	FX30200198	Rubinetto di scarico 2"	Tap 2"	Armaturo 2"	Robinet 2"
17	PM9.G...GN	FX10200002	Borchia per rub. Scarico 2"	Tap boss 2"	Stützring für Auslaßhahn 2"	Rondelle pour robinet 2"
18	PM9.G...GN	FX10500060	Guarniz. Teflon Ø 60x46x2	Teflon Washer Ø 60x46x2	Dichtung Teflon Ø 60x46x2	Joint téflon Ø 60x46x2
19	PM9.G...GN	FX10400008	Nipples di scarico 2"	Nipples	Nipple	Ecrou
20	PM9.G...GN	FX20100020	Ass. piedino da 2"	Foot 2"	Fuss 2"	Pied 2"
21	PM9.G...GN	FX20200024	Manopola	Knob	Knebel	Manette
22	PM9.G...GN	FX30700122	Filtro per pentola	Kettle Filter	Filter kochkessel	Filtre marmite
23	PM9.G...GN	FX30100003	Rubinetto gas	Gas cock	Gashahn	Robinet gaz
24	PM9.G...GN	FX40200132	Cassetta chiusa GW44205	Box GW44205	Schachtel GW44205	Boîte GW44205
25	PM9.G...GN	FX40200108	Pila accensione 1,5 v	Pile 1,5V x ignition	Batterie 1,5V x Zundsystem	Pile 1,5V x allumage
26	PM9.G...GN	FX40200106	Trasformatore x accensione	Transformer x ignition	Transformator x Zundsystem	Transformateur x allumage
27	PM9.G...GN	FX30500003 FX30500004	Ø 40 x G20 x G25 Ø 25 x G30			
28	PM9.G...GN	FX30100050	Candela	Ignitor	Kerze	Bougie
29	PM9.G...GN	FX30100005	Pilota 3 vie D.6	Pilot D.6	Zündflammenbrenner D.6	Pilote 3 voies D.6
30	PM9.G...GN	FX40400100	Termocoppia L=1200	Thermocouple	Thermoelement	Thermocouple

31	PM9.G...GN	C	FX30400010	Bruciatore	Burner	Brenner	Brûleur
32	PM9.G...GN		FXSC1404-00	Squadretta regolazione aria	Air regulator	Luftregler	Régulateur d'air
33				Ugello	Injector	Düse	Gicleur
	PM9.G170GN	FX30500048	G20 Ø175	G20 Ø175	G20 Ø175	G20 Ø175	
		FX30500052	G25 20 mbar Ø190	G25 20 mbar Ø190	G25 20 mbar Ø190	G25 20 mbar Ø190	
		FX30500054	G25 25 mbar Ø180	G25 25 mbar Ø180	G25 25 mbar Ø180	G25 25 mbar Ø180	
		FX30500036	G30 50 mbar Ø100	G30 50 mbar Ø100	G30 50 mbar Ø100	G30 50 mbar Ø100	
	FX30500042	G30 29 mbar Ø115	G30 29 mbar Ø115	G30 29 mbar Ø115	G30 29 mbar Ø115		
PM9.G270GN	FX30500050	G20 Ø170	G20 Ø170	G20 Ø170	G20 Ø170		
	FX30500052	G25 20 mbar Ø190	G25 20 mbar Ø190	G25 20 mbar Ø190	G25 20 mbar Ø190		
	FX30500054	G25 25 mbar Ø180	G25 25 mbar Ø180	G25 25 mbar Ø180	G25 25 mbar Ø180		
	FX30500056	G30 50 mbar Ø95	G30 50 mbar Ø95	G30 50 mbar Ø95	G30 50 mbar Ø95		
FX30500058	G30 29 mbar Ø110	G30 29 mbar Ø110	G30 29 mbar Ø110	G30 29 mbar Ø110			
34	PM9IG...GN		FX40100041	Termostato sicurezza	Safety thermostat	Sicherheitsthermostat	Thermostat de sécurité