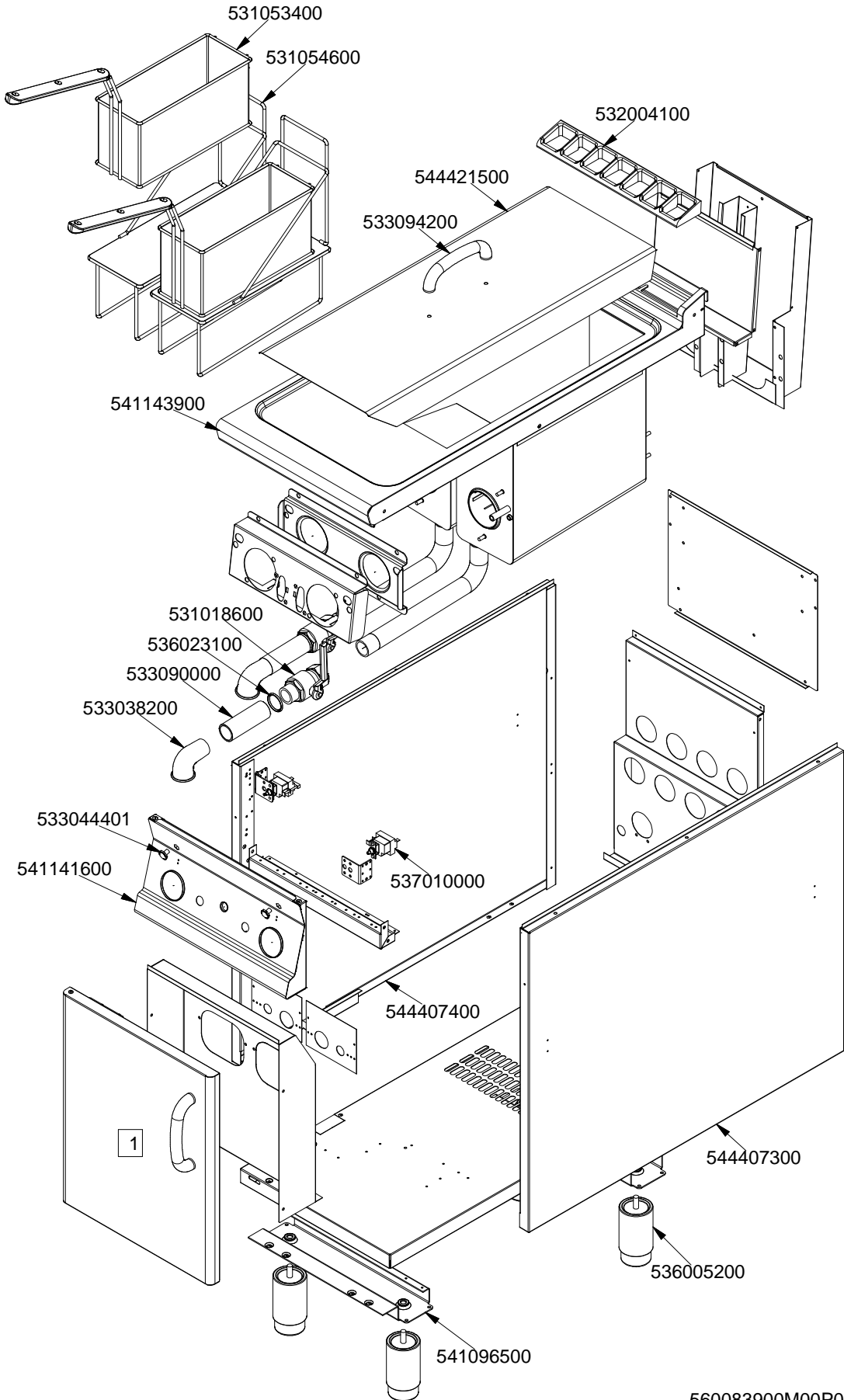


IPERLOTUS 90

GAS / GAS / GAS / GAZ

F2/8-94G

| | |
|---|------------|
| | 1 |
| Vedi Pagina See Page Siehe Seite Voir Page Ver Página | 130 |

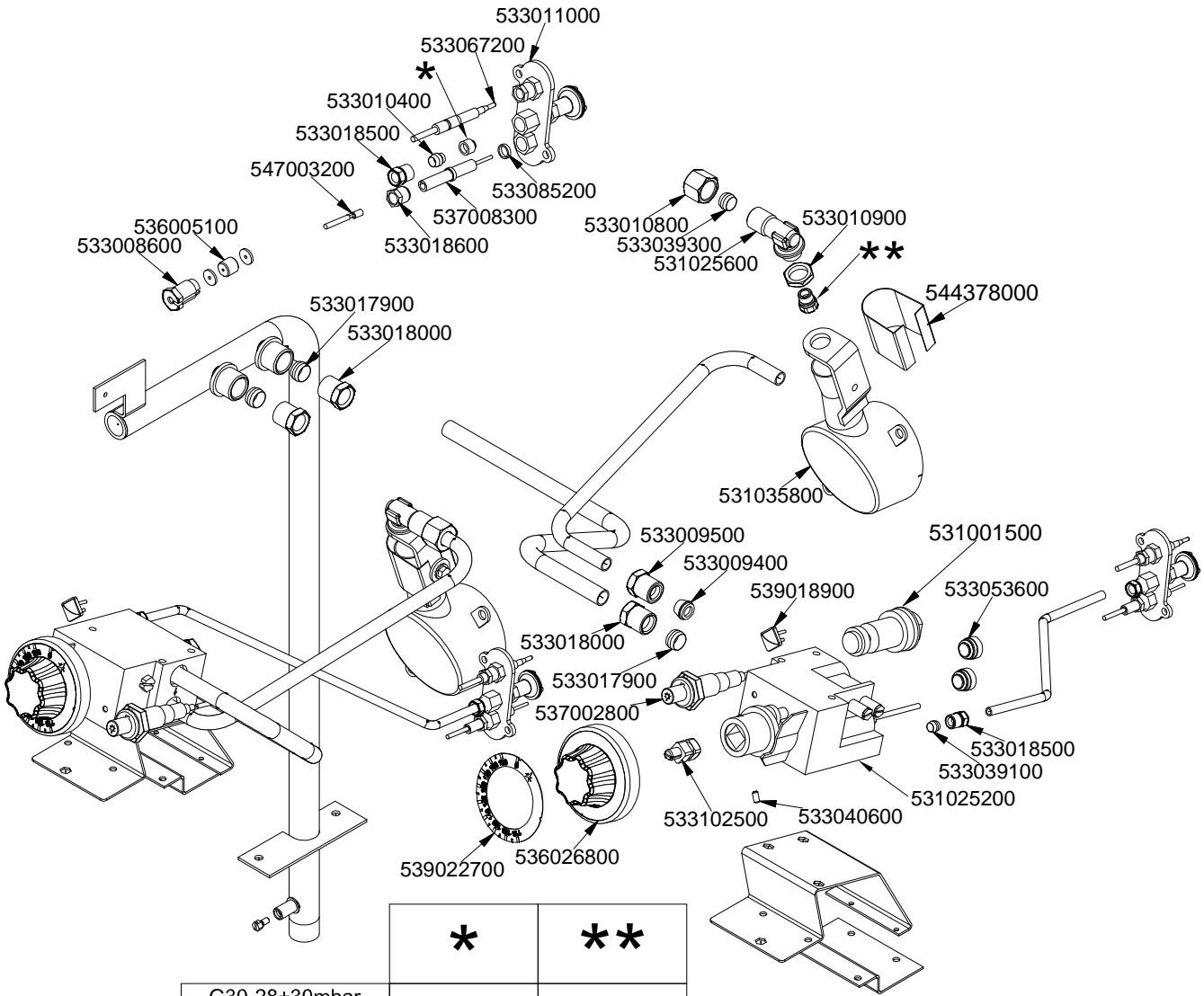


560083900M00P00

IPERLOTUS 90

GAS / GAS / GAS / GAZ

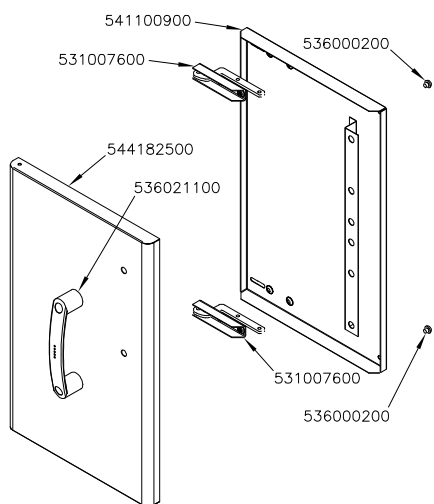
F2/8-94G



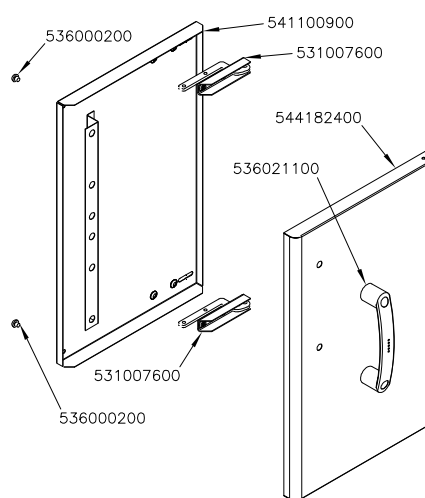
| | * | ** |
|------------------------------|-----------|-----------|
| G30-28+30mbar G31- 37mbar | 533020200 | 533043200 |
| G30- 50mbar | 533020200 | 533043700 |
| G20- 20mbar G25- 25mbar | 533020400 | 533030900 |
| G20- 20mbar DE-AT | 533020400 | 533030900 |
| G25- 20mbar | 533020400 | 533019400 |
| G25- 25mbar NL | 533020400 | 533030200 |

560084000M00P00.

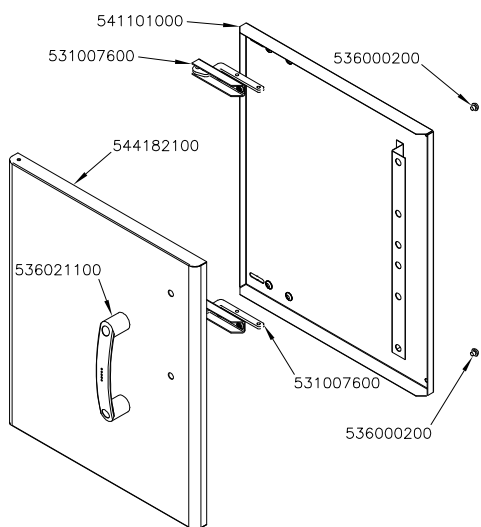
PORTE / DOORS / FLÜGELÜREN / PORTES N°≤0601



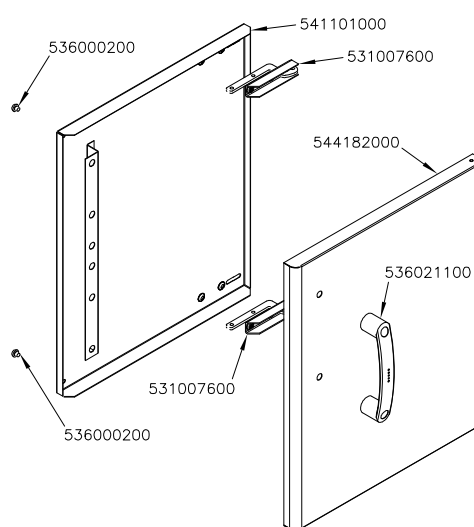
P-73/93 SX



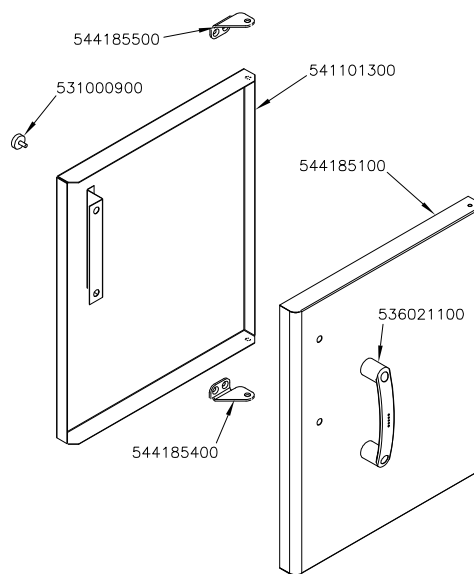
P-73/93 DX



P-74/94 SX



P-74/94 DX



P-74/94 DX CF

560012800M00P00

| Page | Pos | Code | Description |
|------|-----|-----------|-------------------------------------|
| 001 | | 536005200 | INOX LEG 2" 120-180 M10 |
| 001 | | 541141600 | |
| 001 | | 533044401 | M8 THREADED CAP FOR SEC.THERMOSTAT |
| 001 | | 537010000 | SAFETY THERMOSTAT 220°C SINGLEPHASE |
| 001 | | 544421500 | |
| 001 | | 533094200 | S/S HANDLE FOR 70/90 SERIES |
| 001 | | 531053400 | |
| 001 | | 531054600 | |
| 001 | | 544407400 | LEFT SIDE PANEL 70 LINE |
| 001 | | 531018600 | BALL VALVE 1"G M-F CPM-62G |
| 001 | | 536023100 | O-RING GASKET 31,34X3,53 VITON |
| 001 | | 533090000 | |
| 001 | | 533038200 | 1" G M-F ELBOW FITTING |
| 001 | | 541143900 | |
| 001 | | 541096500 | |
| 001 | | 544407300 | RIGHT SIDE PANEL 90 LINE |
| 001 | | 532004100 | FLUE GRID L=370 70LINE (RAF) |
| 002 | | 547003200 | HIGH-VOLTAGE CABLE TUBE. §2 L=500 |
| 002 | | 533010800 | TUBE NUT D.10 M16*1,5 |
| 002 | | 533039300 | BICONE §10 |
| 002 | | 531025600 | ELBOW 90° NOZZLE-HOLDER §10 PIPE |
| 002 | | 533010900 | NUT M14*1 H.4 |
| 002 | | 531035800 | BURNER FOR FRYER F13T |
| 002 | | 533008600 | STUFFING BOX M9*1 |
| 002 | | 536005100 | GRAPHITE §07,4 GASKET |
| 002 | | 533017900 | BICONE D.12 |
| 002 | | 533018000 | ELBOW FOR BICONE D.12 3/8 RS L20 |
| 002 | | 539022700 | ADHESIVE GRADUATED DISC FOR KNOB |
| 002 | | 536026800 | BLACK KNOB §70 8 P. Ø08X6,5 FR. Ø3 |
| 002 | | 533009500 | NIPPLE FOR BICONE 10S |
| 002 | | 533009400 | BICONE 10S |
| 002 | | 537002800 | PIEZOELECTRIC IGNITION M18 |
| 002 | | 539018900 | INDEX FOR KNOB |
| 002 | | 533102500 | |
| 002 | | 533040600 | HEADLESS SCREW M4*8 |
| 002 | | 531025200 | EUROSIT VALVE FQ 110-190°C |
| 002 | | 533011000 | PILOT BURNER 3 FLAMES 320 |
| 002 | | 533018500 | FITTING FOR BICONE D.6 M10*1 |
| 002 | | 533010400 | BICONE D.6 |
| 002 | | 533085200 | |
| 002 | | 537008300 | ROUND PLUG §2,4- LONG ELECTRODE |
| 002 | | 533018600 | PLUG FITTING |
| 002 | | 533067200 | THERMOCOUPLE 220+500 M9*1 CUT-OFF |
| 002 | | 533039100 | BICONE §6 |
| 002 | | 533053600 | EUROSIT VALVE PLUG |
| 002 | | 533020200 | PILOT JETS 0160 FOR LPG §30 |
| 002 | | 533020400 | NOZZLE 0160 (NATURAL GAS) 51 |
| 002 | | 533043200 | NOZZLE §110 G30 (LPG) CH12X14 |
| 002 | | 533043700 | NOZZLE §98 CH12*14 G-FQ/FP/CP65 |
| 002 | | 533030900 | NOZZLE §165 CH12X14 H-CW |
| 002 | | 533019400 | NOZZLE §180 CH12*14 L-FQ5 |

| Page | Pos | Code | Description |
|------|-----|-----------|-------------------------------------|
| 002 | | 533030200 | NOZZLE §170 CH12*14 MH-FG L-FP/CW |
| 002 | | 531001500 | MAGNET FOR EUROSIT VALVE |
| 002 | | 544378000 | |
| 003 | | 541100900 | INNER DOOR 73 |
| 003 | | 531007600 | DOOR HINGE |
| 003 | | 536000200 | D.12 H.4 BUMPER |
| 003 | | 544182500 | RIGHT DOOR 73 |
| 003 | | 536021100 | BLACK HANDLE 70LINE + 2RED POINTS |
| 003 | | 531007800 | |
| 003 | | 544182400 | RIGHT DOOR 73 |
| 003 | | 541101000 | INNER DOOR 74 |
| 003 | | 544182100 | LEFT DOOR 74 |
| 003 | | 544182000 | RIGHT DOOR 74 |
| 003 | | 544185500 | UPPER DOOR HINGE FOR COMPARTME CF70 |
| 003 | | 531000900 | MAGNET §22 KG.3 WITH DISK |
| 003 | | 541101300 | RIGHT INNER DOOR 74 CF |
| 003 | | 544185100 | RIGHT DOOR 74 |
| 003 | | 544185400 | LOWER DOOR HINGE FOR COMPARTME CF70 |