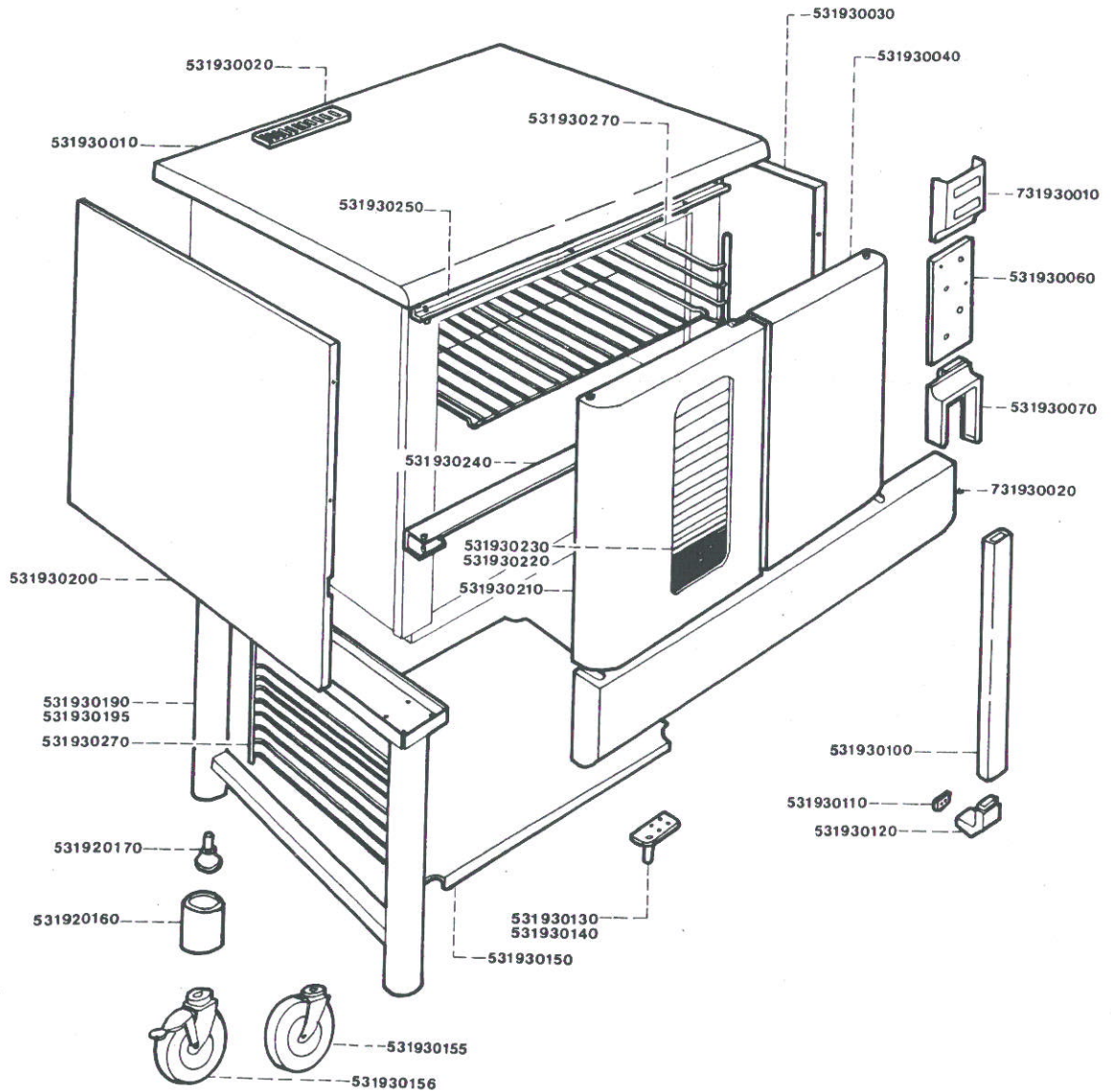


E7008 CONVECTION OVEN

FITMENTS



Code No.	Description
7H 531920010	Outer Top Panel
5F 531920030	Outer Side Panel—RH
11H 531920040	Oven Door Assembly—RH
4E 531920060	Control Panel—Centre
1E 531920070	Bottom Control Panel Trim
2E 531920100	Door Handle Tube
7F 531920150	Leg Stand Shelf
12B 531920160	Leg Cover
6B 531920170	Adjustable Foot
4H 531920190	Leg Stand End Assembly
* 531920195	Optional Leg Stand for Castors
7F 531920200	Outer Side Panel—LH
10L 531920210	Oven Door Assembly—LH
12D 531920220	Oven Door Glass—Inner
3E 531920230	Oven Door Glass—Outer
5E 531920240	Door Support Angle—Bottom
12D 531920250	Door Support Angle—Top

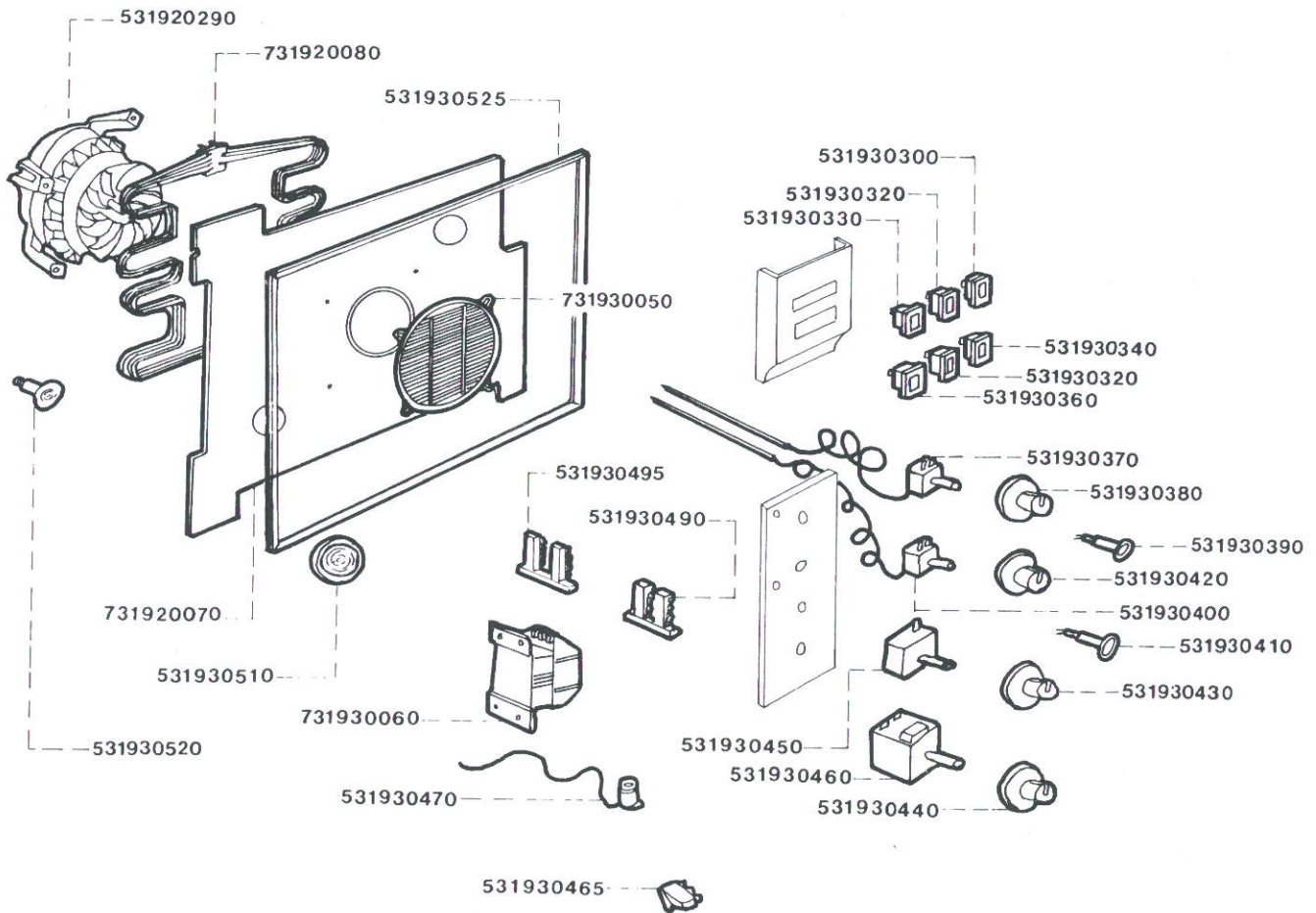
Code No.	Description
* 531920260	Drip Tray
6E 531920270	Shelf Hanger
5D 531930020	Flue Exit Box
1B 531930110	Door Handle Gasket
10B 531930120	Door Handle Bracket
7C 531930155	Swivel Caster—Rear
10C 531930156	Swivel Caster—Front
4E 731920010	Control Panel—Top
1G 731920020	Bottom Cover

Handwritten notes:
 531920360 L/H BOTTOM HINGE - 29/3/88
 531920370 R/H " " " "

Sheet Reference Number
E7008/1185/001

Falcon Catering Equipment
 Commercial and institutional catering equipment

GA Falcon Catering Equipment is a business name of Glynwed Consumer & Building Products Ltd a member of the Glynwed International plc group of companies



Code No.	Description
9N 531920290	Fan Motor
10D 531920525	Door Seal
12B 531930300	Indicator Lamp—Ignition
12B 531930320	Rocker Switch—Fan and Cook
12B 531930330	Indicator Lamp—Heat
12B 531930340	Rocker Switch—Lights
12B 531930360	Rocker Switch—On/Off
12D 531930370	Thermostat—Cook
6B 531930380	Thermostat Knob—Cook
12B 531930390	Indicator—Cook Temp.
12D 531930400	Thermostat—Hold
12B 531930410	Indicator—Hold Temp.
6B 531930420	Thermostat Knob—Hold
6B 531930430	Timer Knob—Cook only
6B 531930440	Timer Knob—Cook and Hold
2F 531930450	Timer—Cook Only
1F 531930460	Timer—Cook and Hold
11C 531930465	Microswitch
5E 531930470	Buzzer

Code No.	Description
9B 531930490	Terminal Block
9B 531930495	Terminal Block
12B 531930510	Oven Lamp Glass
6B 531930520	Oven Lamp
3G 731920070	Oven Back Baffle
5K 731920080	Oven Element Assembly
11D 731930050	Fan Guard
12G 731930060	Contactors

531925170 - FAN TERMINAL BLOCK.

Sheet Reference Number

E7008/1185/002

**Falcon Catering
Equipment**
Commercial and institutional
catering equipment



Falcon Catering Equipment is a
business name of
Glynwed Consumer & Building Products Ltd
a member of the
Glynwed International plc
group of companies