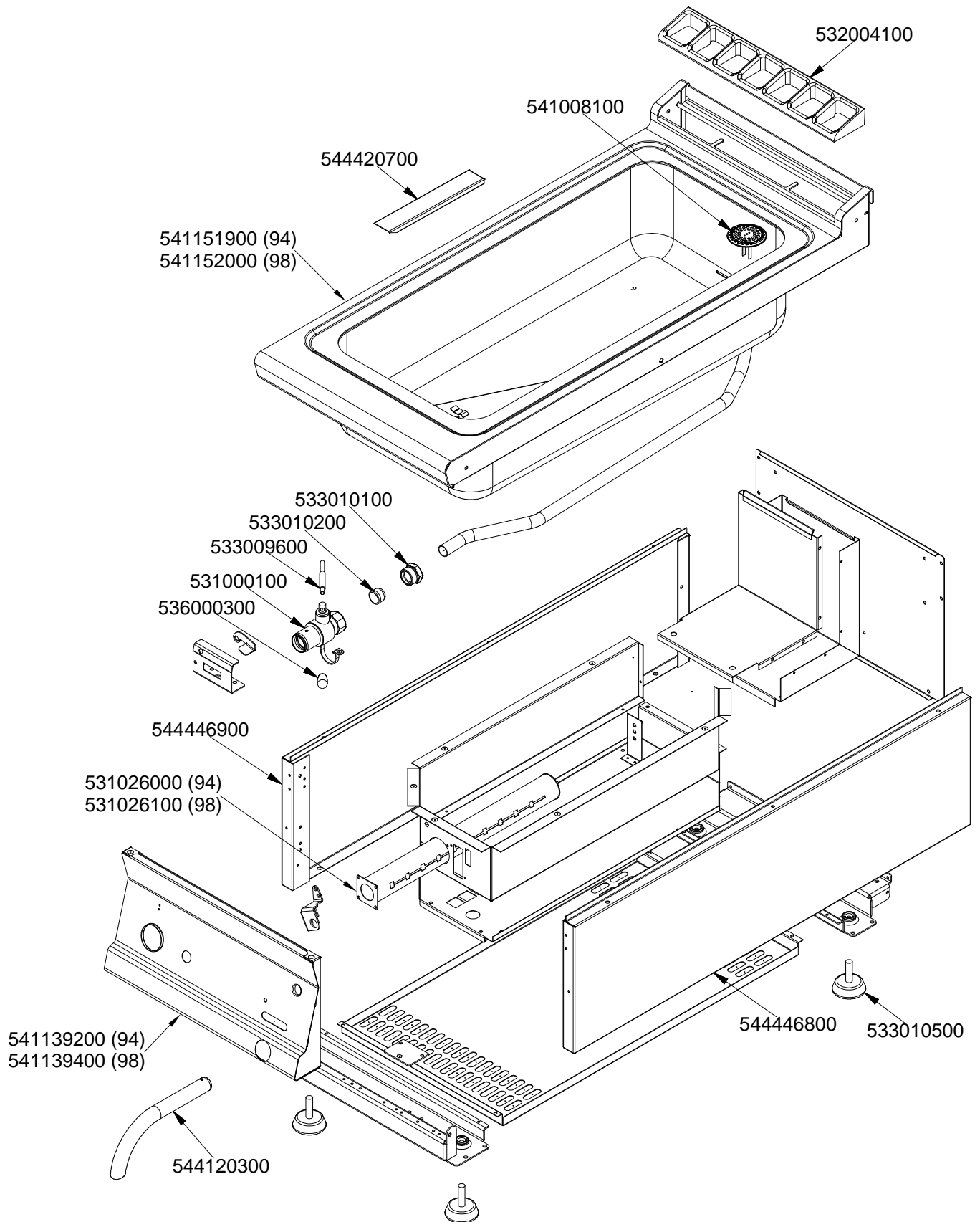


IPERLOTUS 90 TOP

GAS / GAS / GAS / GAZ

BMT-94G BMT-98G

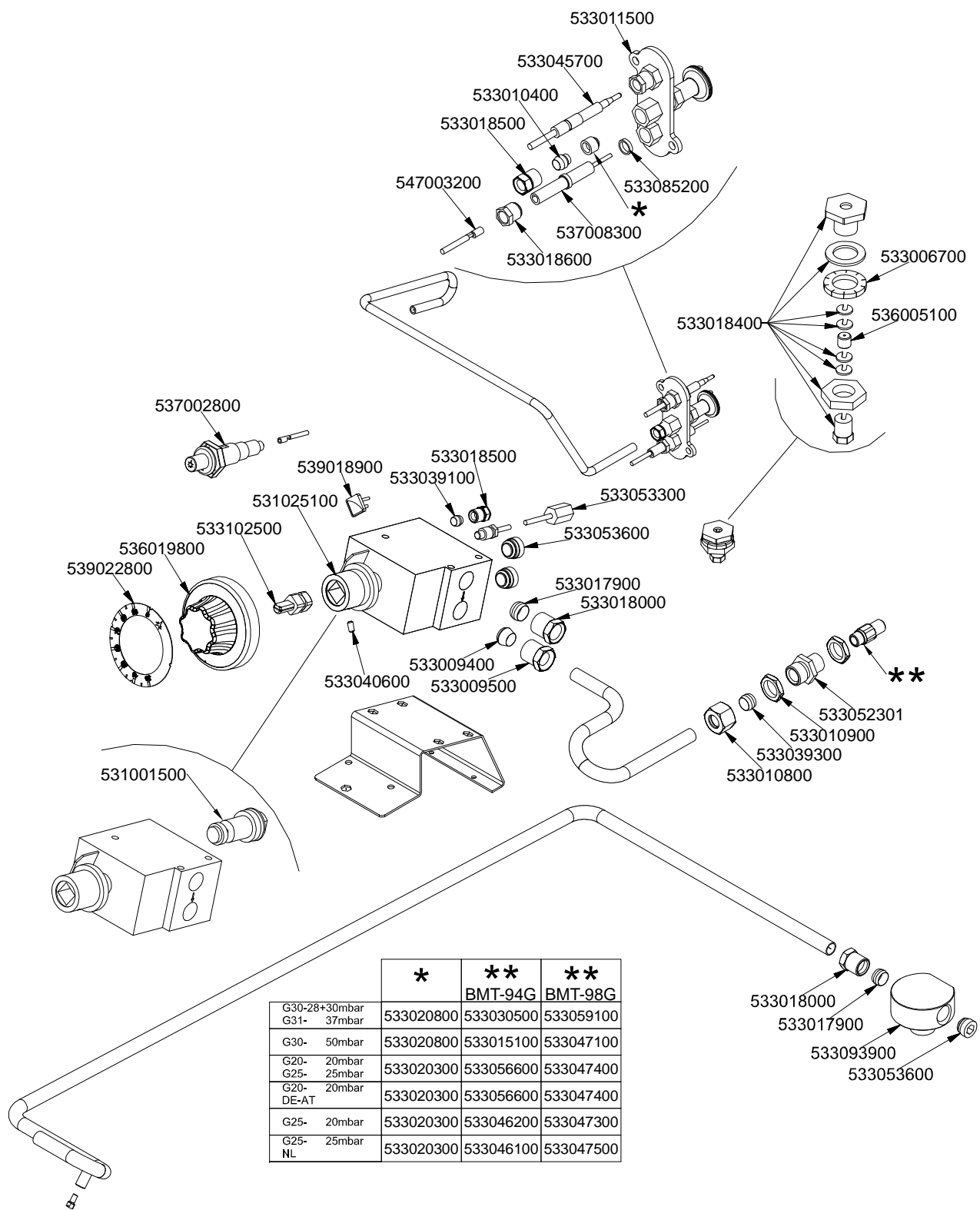


560063000M00P00

IPERLOTUS 90 TOP

GAS / GAS / GAS / GAZ

BMT-94G BMT-98G



	*	**	**
		BMT-94G	BMT-98G
G30-28+30mbar			
G31- 37mbar	533020800	533030500	533059100
G30- 50mbar	533020800	533015100	533047100
G20- 20mbar	533020300	533056600	533047400
G25- 25mbar	533020300	533056600	533047400
G20- DE-AT	533020300	533056600	533047400
G25- 20mbar	533020300	533046200	533047300
G25- NL	533020300	533046100	533047500

560063100M00P00.

Page	Pos	Code	Description
001		531026000	BURNER FT-4/6/8G BM-4G
001		541139200	CONTROL PANEL S70/90 BMT-74/94G
001		541151900	UPPER PLATE BMT-94G
001		544120300	DRAIN PIPE 22 FOR COCK 3/4"G
001		544420700	
001		541008100	DRAIN FILTER TANK CP 700LINE
001		533010100	3/4 D. 18 PIPE UNION
001		533010200	BICONE 18S
001		531000100	DRAIN COCK 3/4"
001		533009600	DRAIN COCK HANDLE
001		536000300	FIXED GRIP D.15*25*M6
001		544446900	
001		532004100	FLUE GRID L=370 70LINE (RAF)
001		544446800	
001		533010500	LEG M10*25 D.40
002		533030500	NOZZLE §90 CH12X14 G30/CE
002		533015100	NOZZLE §80 CH12*14 F-FP/CP6
002		533056600	NOZZLE §135 CH12*30 M-BM4
002		533046200	NOZZLE §150 CH12X30 L-BR TP
002		533046100	NOZZLE §140 CH12X30 MH-BR
002		533020800	NOZZLE 0160-FLUSS. (25)
002		533020300	NOZZLE 0160 (NATURAL GAS) 1-2 (41)
002		531001500	MAGNET FOR EUROSIT VALVE
002		533010800	TUBE NUT D.10 M16*1,5
002		533039300	BICONE §10
002		533010900	NUT M14*1 H.4
002		533052301	JOINT FOR NOZZLE HOLDER
002		539022800	ADHESIVE GRADUATED DISC FOR KNOB
002		536019800	BLACK KNOB §70 PIN §8*6,5
002		533102500	
002		537002800	PIEZOELECTRIC IGNITION M18
002		539018900	INDEX FOR KNOB
002		531025100	EUROSIT VALVE BM 30-100°C
002		533040600	HEADLESS SCREW M4*8
002		533053600	EUROSIT VALVE PLUG
002		533053300	THERMOCOUPLE EXTENSION M9*1
002		533017900	BICONE D.12
002		533018000	ELBOW FOR BICONE D.12 3/8 RS L20
002		533009400	BICONE 10S
002		533009500	NIPPLE FOR BICONE 10S
002		533039100	BICONE §6
002		533018500	FITTING FOR BICONE D.6 M10*1
002		533011500	PILOT BURNER 2 FLAMES 220
002		533045700	THERMOCOUPLE M9*1 500
002		533010400	BICONE D.6
002		533018600	PLUG FITTING
002		537008300	ROUND PLUG §2,4- LONG ELECTRODE
002		533085200	
002		536005100	GRAPHITE §07,4 GASKET
002		533006700	NOTCHED WASHER D.14
002		533018400	THREADED FITTING

Page	Pos	Code	Description
002		547003200	HIGH-VOLTAGE CABLE TUBE.52 L=500
002		533093900	FITTING GAS ENTRY 1/2G 2OUT 3/8G