



GB 903

LIST OF THE EXPLODED VIEWS



SHELL ASSY

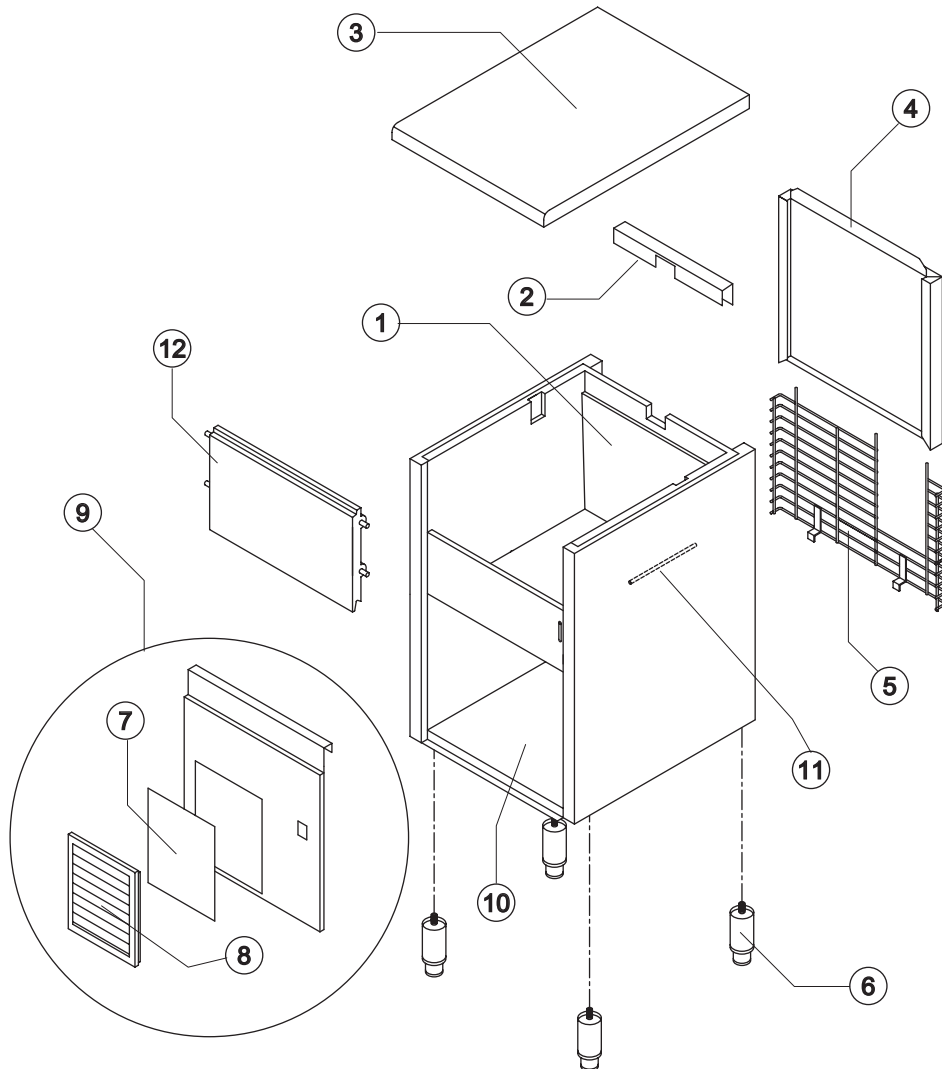
COOLING SYSTEM

EVAPORATOR

HYDRAULIC CIRCUIT

ELECTRIC PARTS

Rev. 2 - 20/05/2009

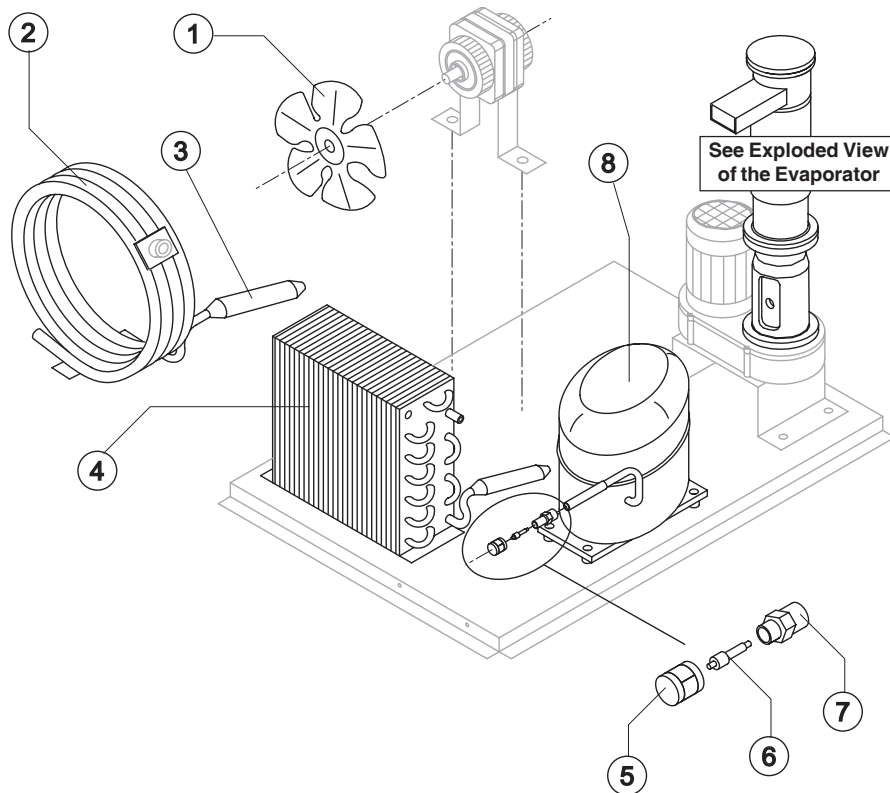


Rev. 2 - 20/05/2009

Ref.	Spare Description	Code	
1	Foamed Cabinet Assy	See Table	
2	Cover for Ice Exhaust	22590	
3	Top Assembly	C22689	
4	Rear Panel Assembly	C21316	
5	Rear Grid	D12014	
6	Adjustable Stainless Steel Foot	20613	
7	Filtering Panel	18106	
8	Frame + Grid & Filter	C10205	
9	Front Grid Panel	C22508	
10	Base Plate	21283	
11	Bulbe-holder Pipe	Current Version	20521
11	Bulbe-holder Pipe	Till s/n. 444176	20522
12	Door Assy	C10297	

Ref. 1 - Foamed Cabinet Assy

Condensation	Code
Air	C11118A
Water	C11118W



Common Parts

Ref.	Spare Description	Code
3	Molecular Drier	14009
5	Vacuum-Charge Valve Plug	14006
6	Vacuum-Charge Valve Device	14005
7	Vacuum-Charge Valve Body	14007
8	Compressor	See Table

Parts for Air-Cooled Version Only

Ref.	Spare Description	Code
1	Sucking Fan	See Table
4	Air Condenser	20283

Parts for Water-Cooled Version Only

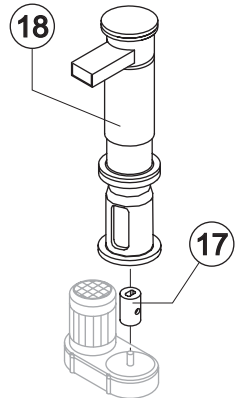
Ref.	Spare Description	Code
1	Sucking Fan	10213
2	Water Condenser	14057

Ref. 1 - Sucking Fan

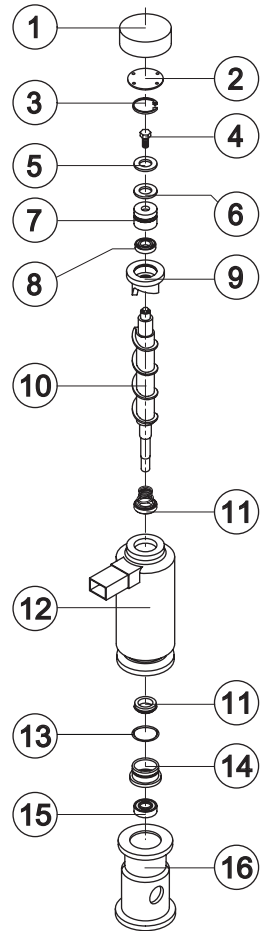
Tension	Code
T11	20096
T12	20095
T13	20095
T19	20095

Ref. 8 - Compressor

Tension	Code
T11	23441
T12	23494
T13	23446
T19	23446



C11140

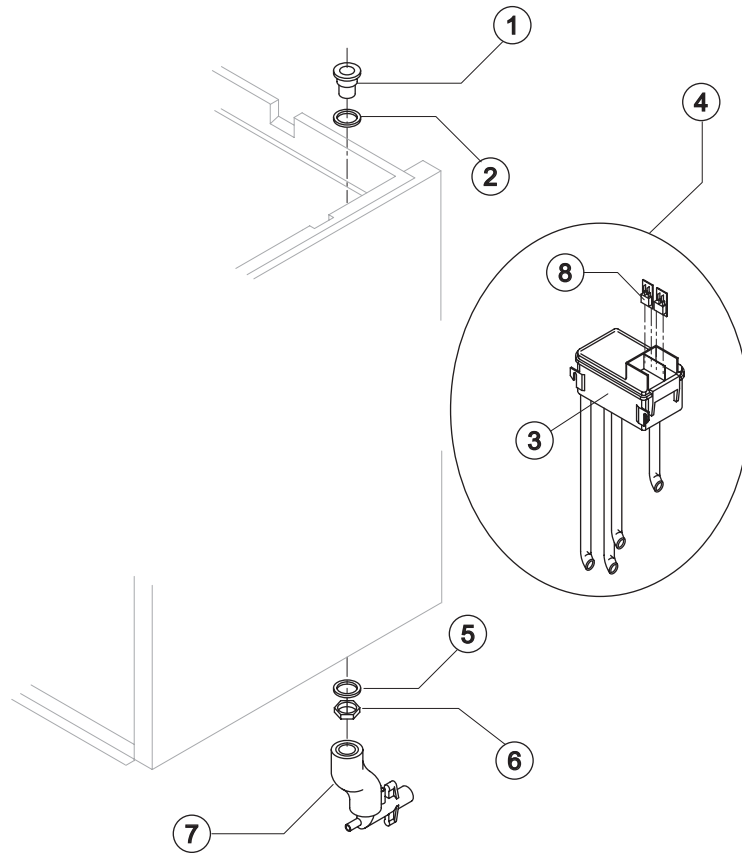


Ref.	Spare Description (Current Version)	Code
1	Insulating Cap	18170
2	Closing Disk	22825
3	Seeger	20043
4	Stainless Steel Screw	20663
5	Shimming Disk	22826
6	Self-Lubricating Disk	20631
7	Stainless Steel Thrust Bearing	20686
8	OR Gasket 3087	20688
9	Ice Breaker	20626
10	Auger	Current Version 20783
10	Auger	Till s/n. 238343 C20783
11	Ceramic Seal	20937
12	Insulated Evaporator	C11107
13	OR Gasket 3162 NBR70	20429
14	Reduction Ring	Current Version 20785
14	Reduction Ring	Till s/n. 238343 20624
15	Stainless Steel Bearing	Current Version 20782
15	Stainless Steel Bearing	Till s/n. 238343 20045
16	Flange	20629
17	Joint	Current Version D20784
17	Joint	Till s/n. 238343 D20630
18	Evaporator Assy	Current Version C11140
18	Evaporator Assy	Till s/n. 238343 KITNEVGB



GB 903

HYDRAULIC CIRCUIT



Common Parts

Ref.	Spare Description	Code
1	Water Outlet Nipple	10472
2	Silicone Gasket	13006
3	Double Switch Basin	10145
4	Double Switch Basin Assembly	C10164GB
5	Semirigid Polyethylene Gasket	13007
6	Bin Discharge Nut	10096
8	Microswitch	23055

Parts for Air-Cooled Version Only

Ref.	Spare Description	Code
7	Discharges Manifold	C10235

Parts for Water-Cooled Version Only

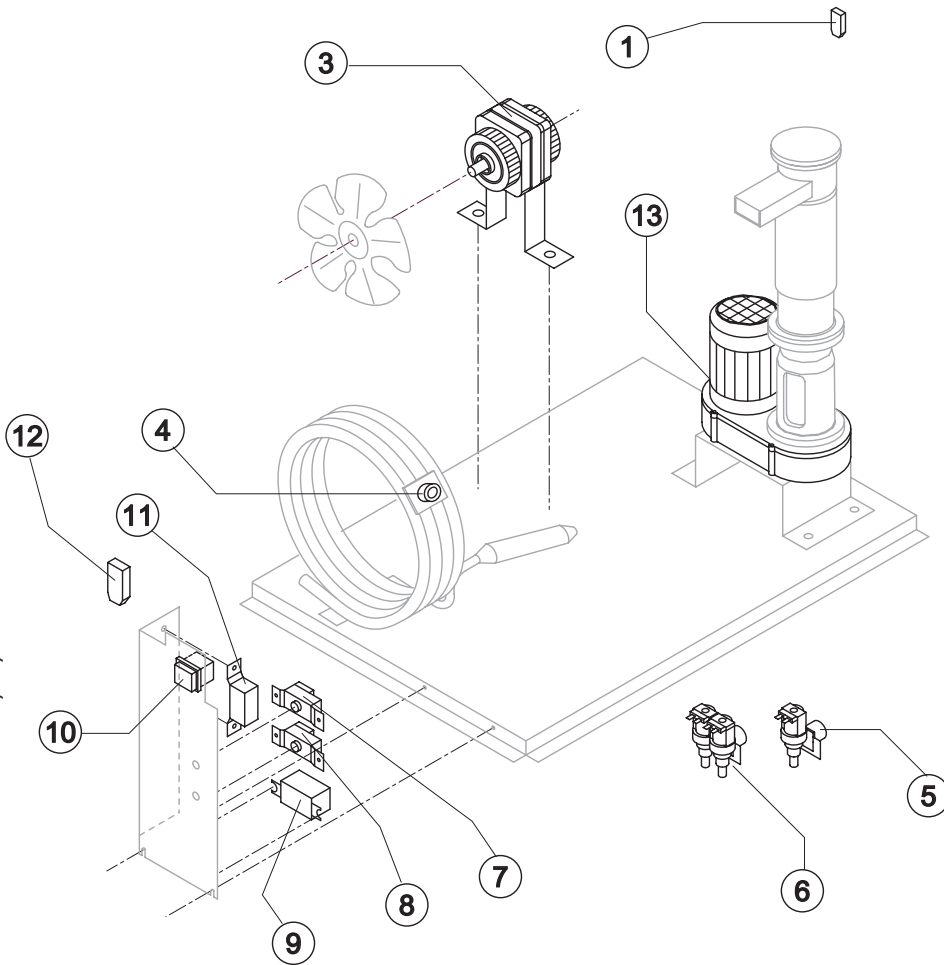
Ref.	Spare Description	Code
7	Discharges Manifold	C10240

Rev. 2 - 20/05/2009



GB 903

ELECTRIC PARTS



Common Parts

Ref.	Spare Description	Tension	Code
1	Anti Radio Interference Filter	T11	C23457
3	Fan Motor	See Table	-
7	Bin Thermostat		R23005
8	Evaporator Thermostat		R23034
9	Relay	See Table	-
10	Green Light Switch (On-Off)		23327
11	Condenser Pressure Switch	See Table	-
12	Anti Radio Interference Filter	T11	C23459
13	Gearmotor	See Table	-

Parts for Air-Cooled Version Only

Ref.	Spare Description	Tension	Code
5	1 Way- Water Inlet Valve	See Table	-

Parts for Water-Cooled Version Only

Ref.	Spare Description	Tension	Code
4	Safety Thermostat		C23114
6	2 Ways- Water Inlet Valve	See Table	-

Rev. 2 - 20/05/2009

Ref. 6 - 2 Ways-Water Inlet Valve

Tension	Code
T11	23116
T12	23116
T13	23322
T19	23322

Ref. 9 - Relay

Tension	Code
T11	23190
T12	23190
T13	23557
T19	23557

Ref. 3 - Fan Motor

Tension	Code
T11	23029
T12	23029
T13	23683
T19	23683

Ref. 5 - 1 Way-Water Inlet Valve

Tension	Code
T11	23115
T12	23115
T13	23410
T19	23410

Ref. 11 - Cond. Pressure Switch

Tension	Code
T11	23175
T12	23175
T13	23175
T19	23680

Ref. 13 - Gearmotor

Tension	Code
T11	23532
T12	23532
T13	23556
T19	23556