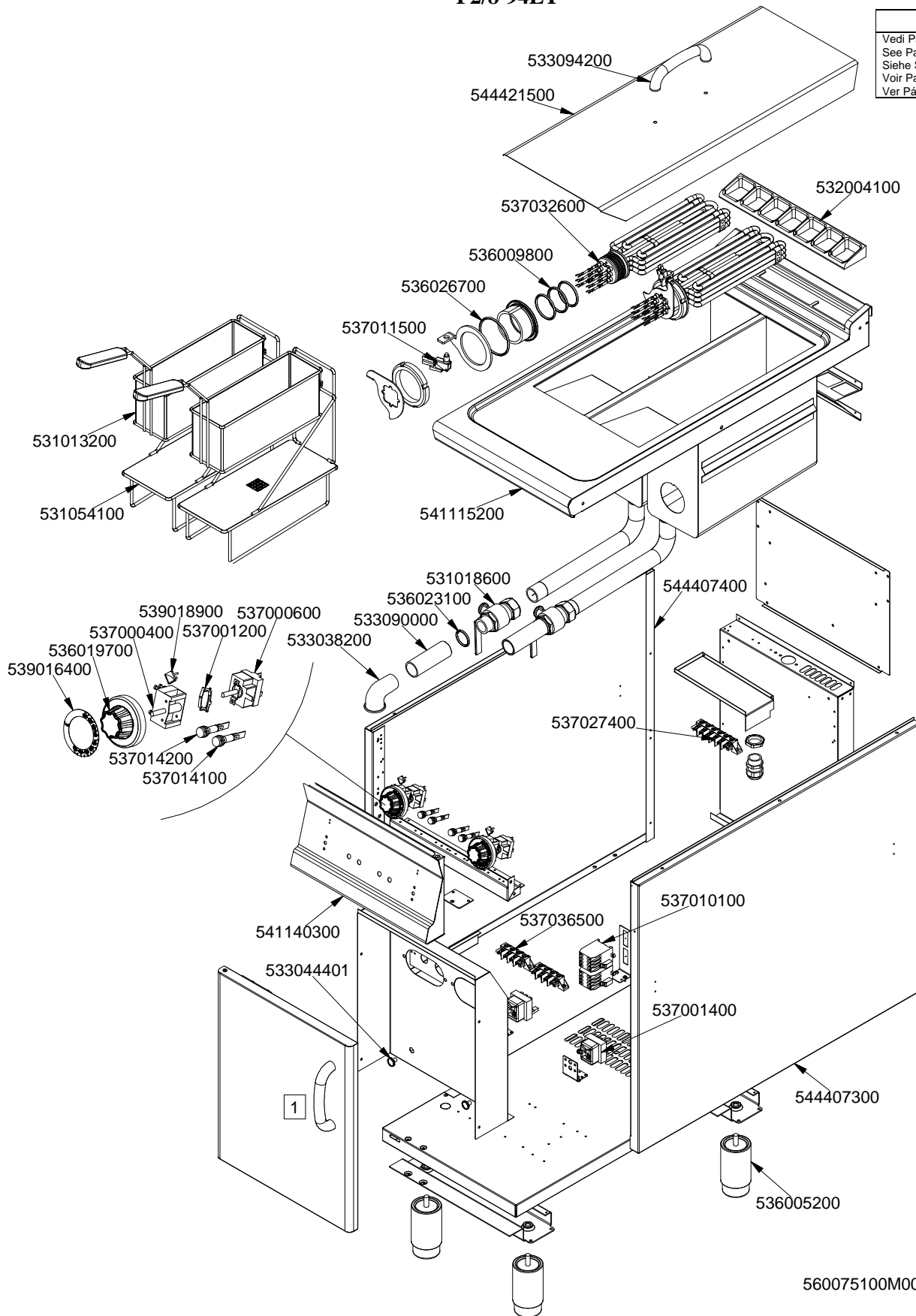


# IPERLOTUS 90

ELETTRICO / ELECTRIC / ELEKTRO / ELECTRIQUE

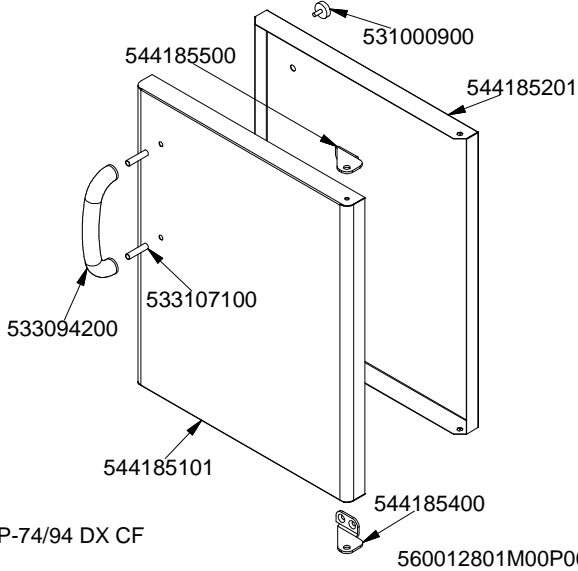
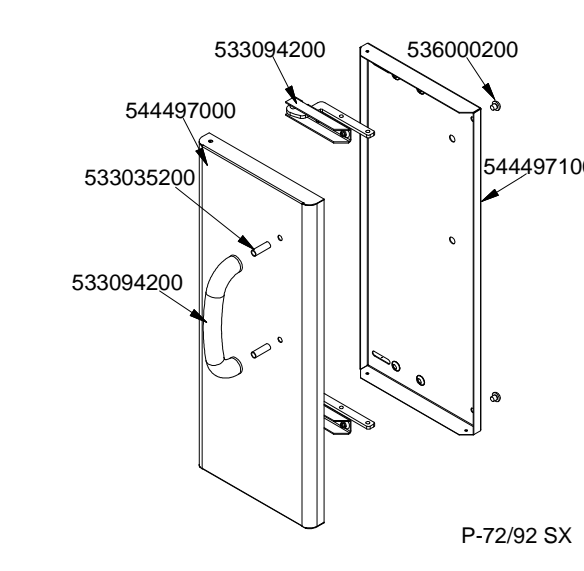
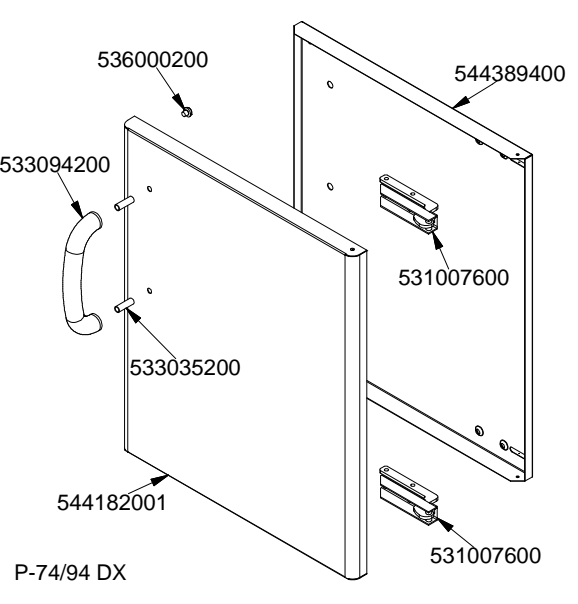
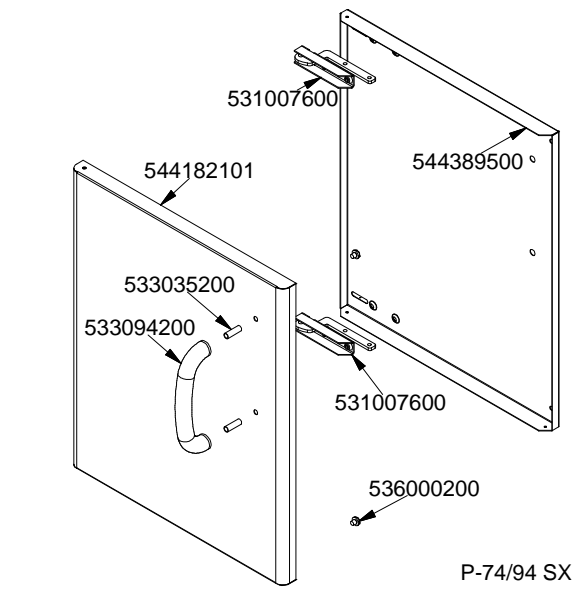
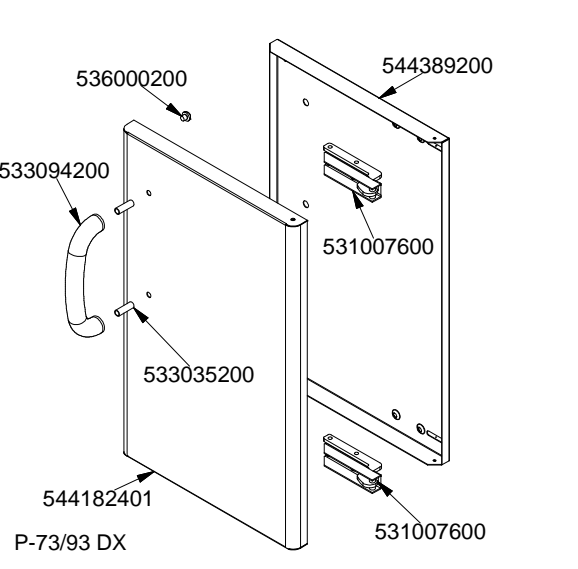
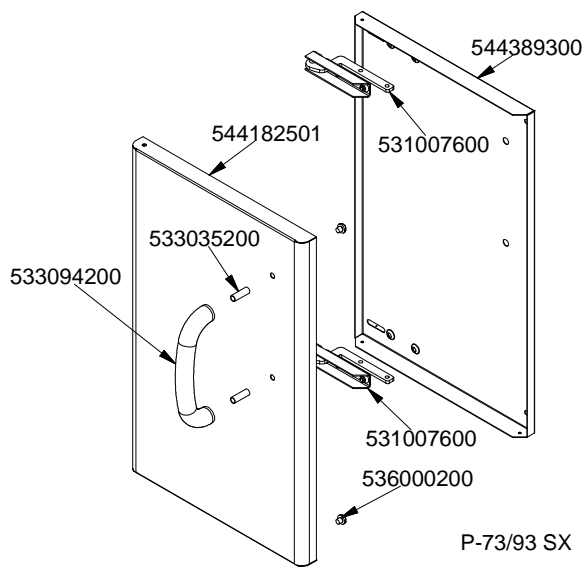
**F2/8-94ET**

1	
Vedi Pagina See Page Siehe Seite Voir Page Ver Pagina	130



560075100M00P00.

**PORTE / DOORS / FLÜGELÜREN / PORTES N°≥0602**



Page	Pos	Code	Description
001		532004100	FLUE GRID L=370 70LINE (RAF)
001		537032600	ELEMENT F2/8 S70/90ROT.6000W 230V
001		533094200	S/S HANDLE FOR 70/90 SERIES
001		544421500	
001		536009800	GASKET O-RING 47,22X3,53 VITON
001		536026700	GASKET O-RING 74,61X3,53 VITON
001		537011500	MICRO-SWITCH 16A
001		537014200	GREEN WARNING LIGHT 250V
001		537000600	THERMOSTAT 90-180°C SINGLEPHASE
001		537001200	FIXING BRACKET FOR THERMOSTAT/COMM.
001		539018900	INDEX FOR KNOB
001		537000400	COMMUTATOR 1POS.SINGLEPHASE S49 16A
001		536019700	BLACK KNOB \$70 PIN \$6*5
001		539016400	ADHESIVE GRADUATED DISC FOR KNOB
001		531054100	TANK FILTER/BASKET SUPPORT F2/8E 70
001		531013200	GAS FRYER 1/2 BASKET 100*300*120H.
001		544407400	LEFT SIDE PANEL 70 LINE
001		541115200	UPPER PLATE F2/8-94E
001		537027400	TERMINAL BLOCK THREEPHASE 40A
001		533090000	
001		536023100	O-RING GASKET 31,34X3,53 VITON
001		531018600	BALL VALVE 1"G M-F CPM-62G
001		537014100	WHITE WARNING LIGHT 250V
001		536005200	INOX LEG 2" 120-180 M10
001		541140300	CONTROL PANEL F2/ 8 -74E
001		533044401	M8 THREADED CAP FOR SEC.THERMOSTAT
001		537001400	SAFETY THERMOSTAT 235°C THREEPHASE
001		537010100	REMOTE CONTROL SWITCH 20A 230V
001		537036500	TERMINAL BLOCK 4POLES 40A SCREW-SCR
001		544407300	RIGHT SIDE PANEL 90 LINE
001		533038200	1" G M-F ELBOW FITTING
002		544389300	
002		531007600	DOOR HINGE
002		544182501	LEFT DOOR 73
002		533035200	
002		533094200	S/S HANDLE FOR 70/90 SERIES
002		536000200	D.12 H.4 BUMPER
002		544182401	RIGHT DOOR 73
002		544389200	
002		544182001	RIGHT DOOR 74
002		544389400	
002		544182101	LEFT DOOR 74
002		544389500	INNER-DOOR OF LHD 74
002		544497100	
002		544497000	
002		544185101	RIGHT DOOR 74 CF
002		544185400	LOWER DOOR HINGE FOR COMPARTME CF70
002		533107100	
002		544185500	UPPER DOOR HINGE FOR COMPARTME CF70
002		531000900	MAGNET \$22 KG.3 WITH DISK
002		544185201	