

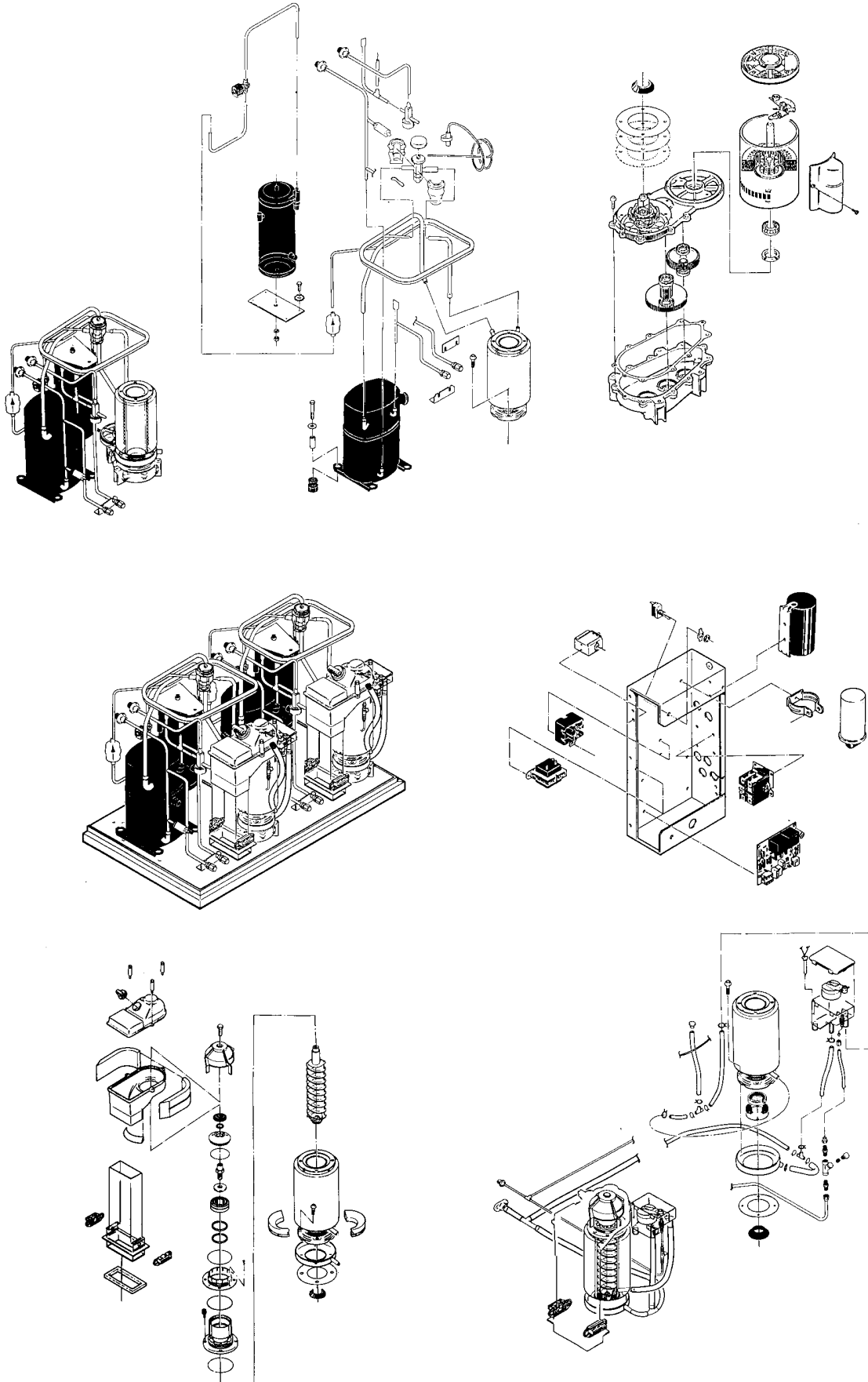
# FM2400R SERVICE PARTS

This parts list contains the service parts and wiring diagrams for this model. Check the model number in question to be sure that it is applicable to this parts list.

## TABLE OF CONTENTS

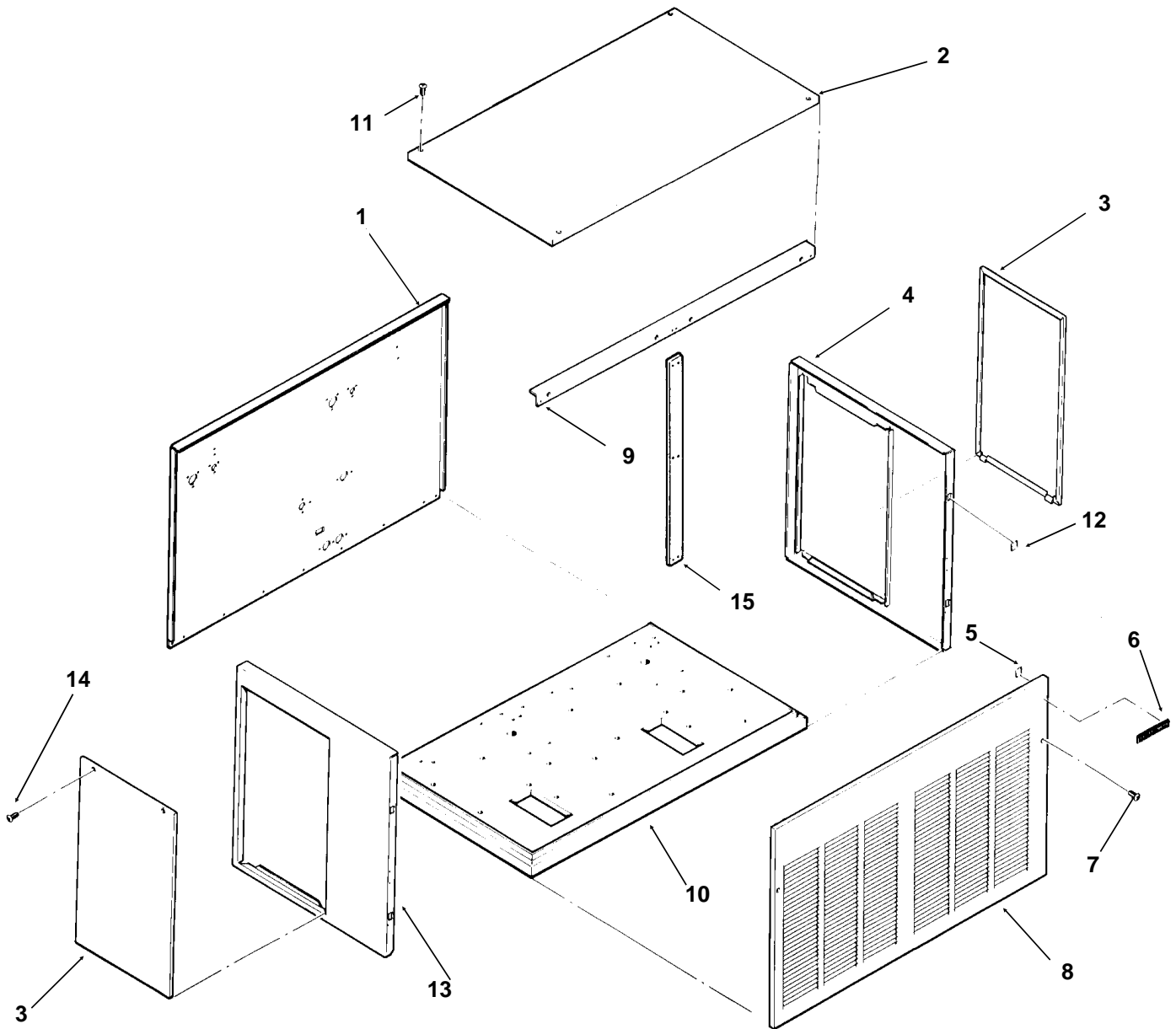
|                        |   |
|------------------------|---|
| Cabinet .....          | 2 |
| Refrigeration .....    | 3 |
| Water .....            | 4 |
| Gearmotor.....         | 5 |
| Evaporator .....       | 6 |
| Control Box.....       | 7 |
| Remote Condenser ..... | 8 |
| Wiring Diagrams .....  | 9 |

# FM2400R SERVICE PARTS



# FM2400R SERVICE PARTS

## Cabinet Assembly

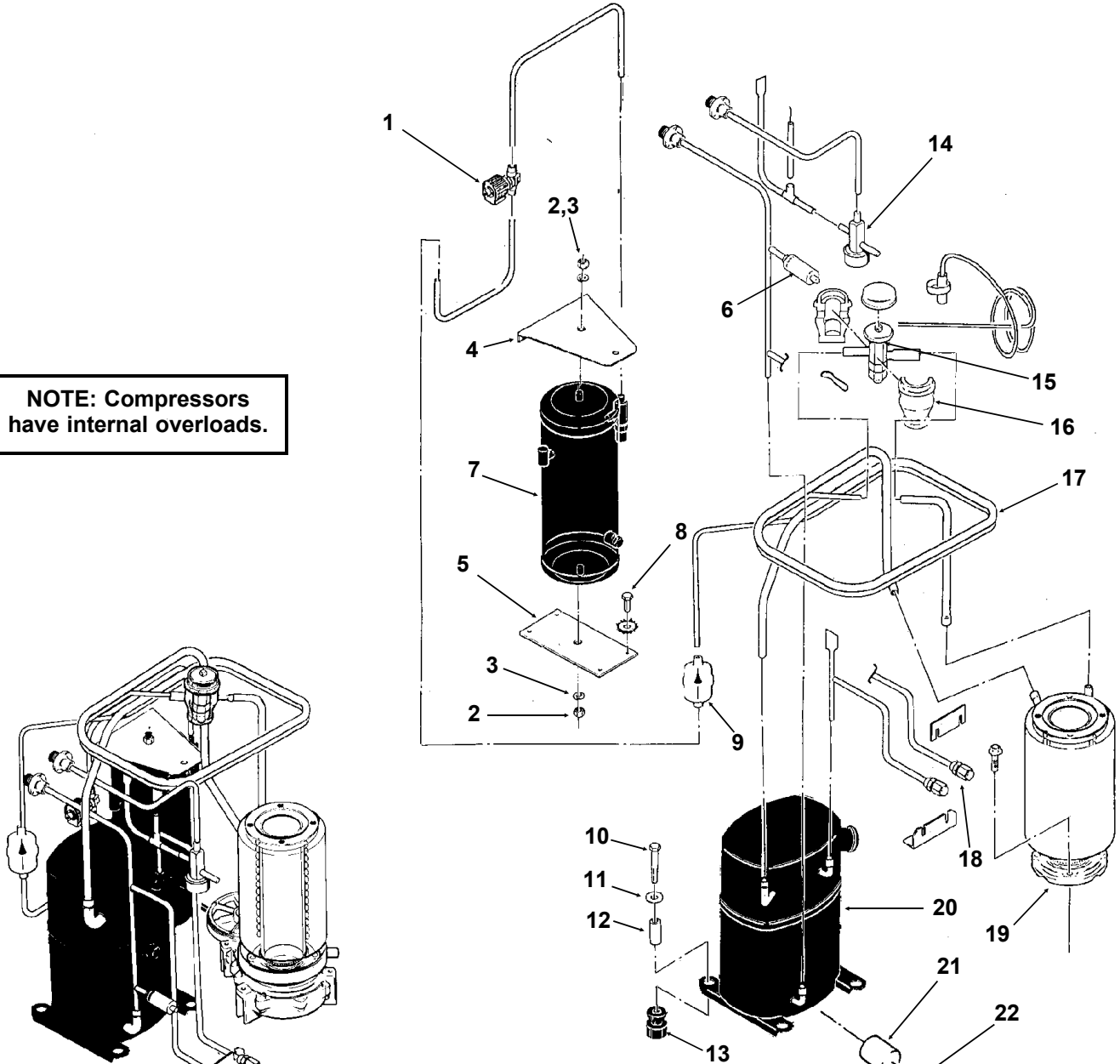


| ITEM NUMBER | PART NUMBER | DESCRIPTION               | ITEM NUMBER | PART NUMBER | DESCRIPTION              |
|-------------|-------------|---------------------------|-------------|-------------|--------------------------|
| 1           | A34283-001  | Back Panel, Painted       | 9           | A34287-001  | Support                  |
| 2           | A32461-001  | Top Panel, Painted        | 10          | A34282-001  | Base                     |
|             | A32461-002  | Top Panel, S.S.           | 11          | 03-1531-01  | Screw                    |
| 3           | A34038-001  | Service Panel, Painted    | 12          | 02-0836-00  | Catch                    |
|             | A34038-002  | Service Panel, S.S.       | 13          | A32435-001  | Left Side Panel, Painted |
| 4           | A33292-001  | Right Side Panel, Painted |             | A32435-002  | Left Side Panel, S.S.    |
|             | A33292-002  | Right Side Panel, S.S.    | 14          | 03-1404-12  | Screw                    |
| 5           | 03-0271-00  | Speed Clip                | 15.         | A34286-001  | Center Support           |
| 6           | 15-0711-01  | Emblem                    |             |             |                          |
| 7           | 03-1419-08  | Screw                     |             |             |                          |
| 8           | A34294-001  | Front Panel, Painted      |             |             |                          |
|             | A34294-002  | Front Panel, S.S.         |             |             |                          |

# FM2400R SERVICE PARTS

## Refrigeration System

**NOTE: Compressors have internal overloads.**

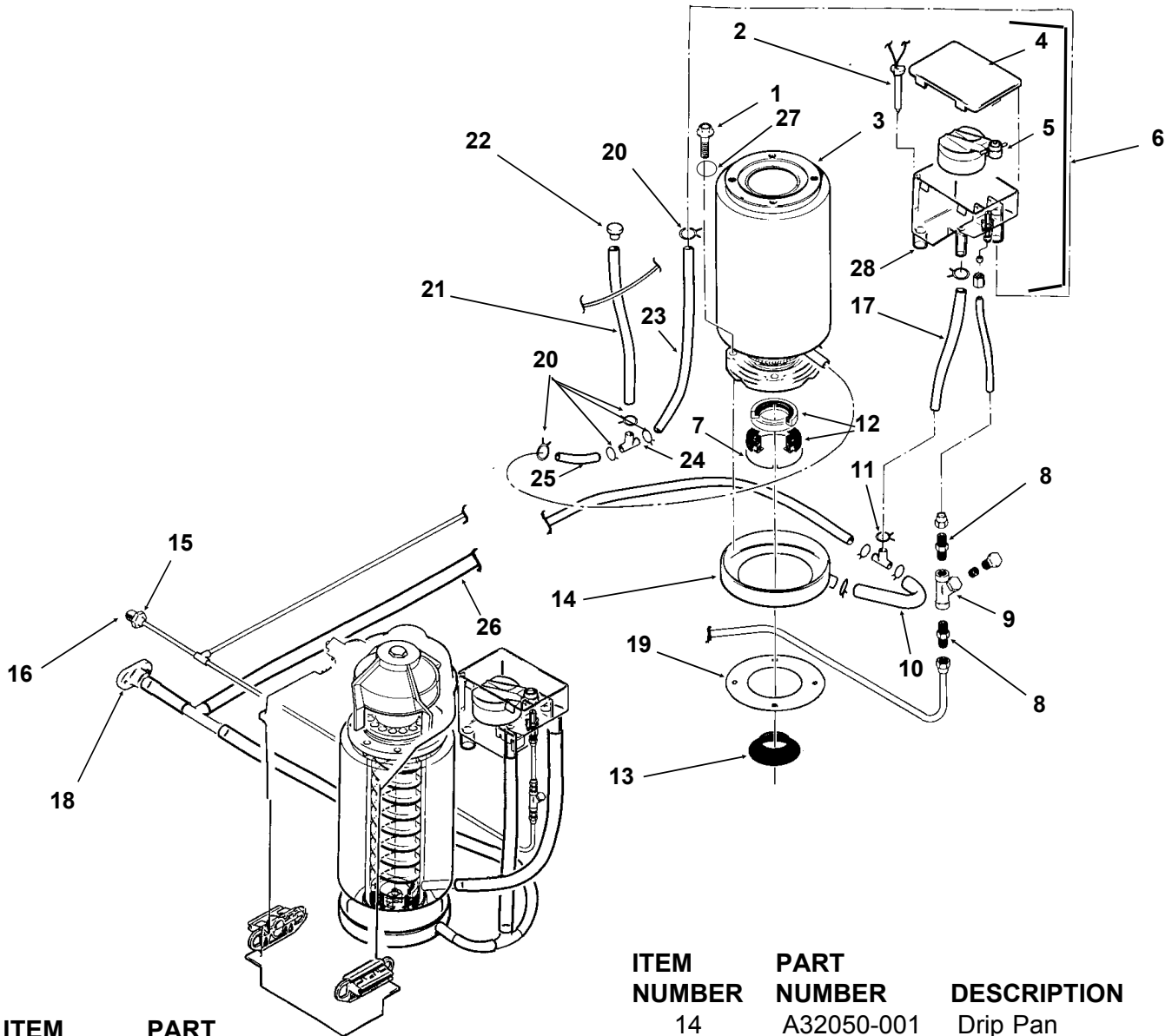


| ITEM NUMBER | PART NUMBER | DESCRIPTION         |
|-------------|-------------|---------------------|
| 1           | 12-2257-21  | Liquid Line Valve   |
| 2           | 03-1406-13  | Nut                 |
| 3           | 03-1410-06  | Washer              |
| 4           | A32968-001  | Receiver Brace      |
| 5           | A31801-002  | Receiver Mount      |
| 6           | 11-0446-23  | Hi Pressure Cut Out |
| 7           | 16-0761-01  | Receiver            |
| 8           | 03-1645-01  | Cap Screw           |
| 9           | 02-3319-02  | Dryer               |
| 10          | 03-1405-20  | Cap Screw           |
| 11          | 03-1407-07  | Washer              |
| 12          | 18-2300-26  | Sleeve              |

| ITEM NUMBER | PART NUMBER | DESCRIPTION            |
|-------------|-------------|------------------------|
| 13          | 18-6800-01  | Rubber Grommet         |
| 14          | 11-0422-22  | Head Pressure Valve    |
| 15          | 16-0780-21  | Thermo Expansion Valve |
| 16          | A32961-020  | Insulation Kit for TXV |
| 17          | A34050-001  | Suction Line           |
| 18          | 16-0560-00  | Core                   |
|             | 16-0563-00  | Nut                    |
| 19          | A32890-020  | Evaporator             |
| 20          | 18-8879-21  | Compressor (1 Phase)   |
|             | 18-8879-22  | Compressor (3 Phase)   |
| 21          | 18-2308-01  | Crankcase Heater       |
| 22          | 18-2309-01  | Clip                   |

# FM2400R SERVICE PARTS

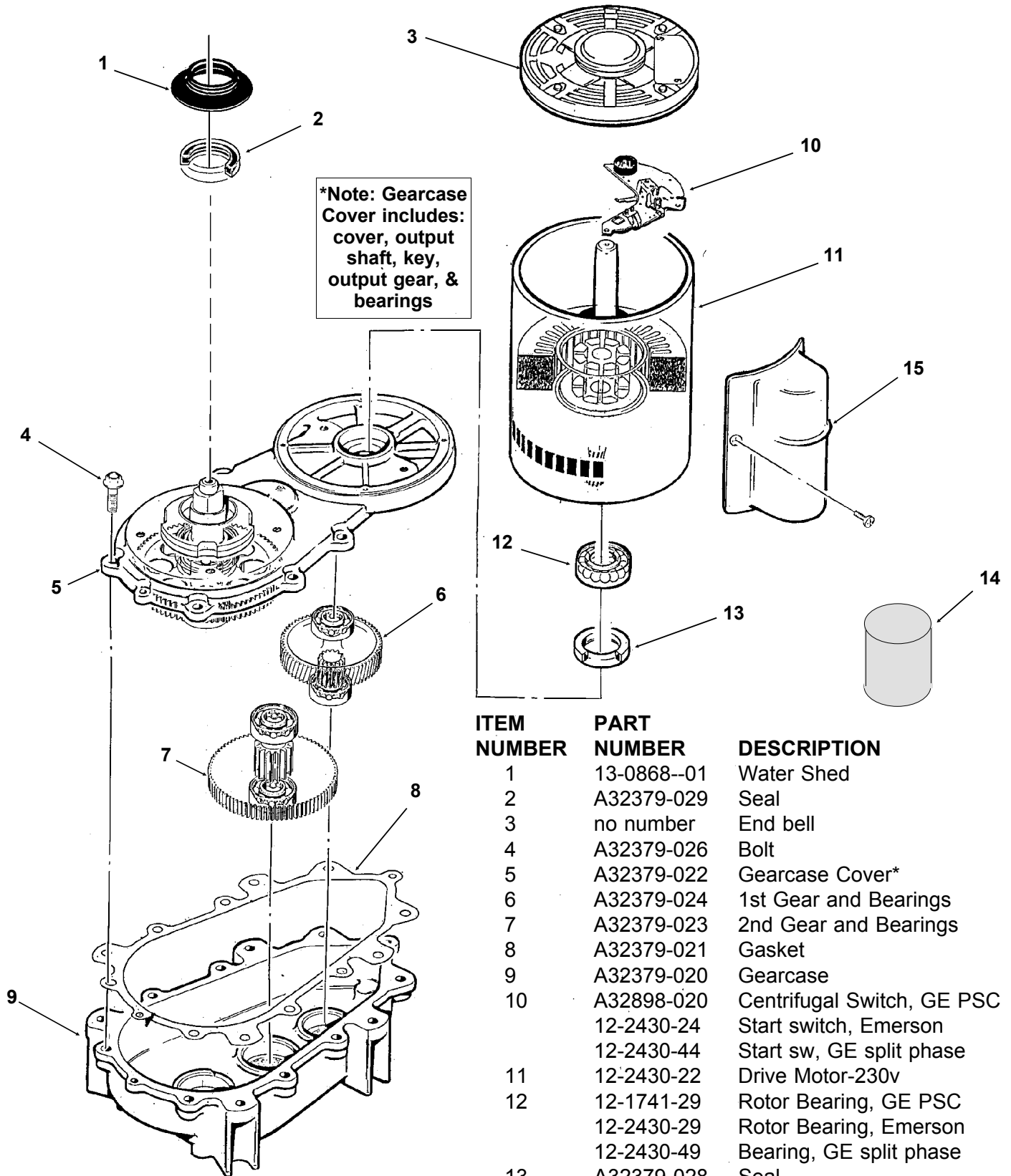
## Water System, Water Seal



| ITEM NUMBER | PART NUMBER | DESCRIPTION  | ITEM NUMBER | PART NUMBER | DESCRIPTION               |
|-------------|-------------|--|-------------|-------------|---------------------------|
| 1           | 03-1420-03  | Cap Screw  | 14          | A32050-001  | Drip Pan                  |
| 2           | A33101-022  | Water Level Sensor   | 15          | A27318-001  | Water Inlet Fitting       |
| 3           | A32890-020  | Evaporator   | 16          | 03-1394-01  | Pal Nut                   |
| 4           | 02-2936-01  | Res. Cover   | 17          | 13-0079-03  | Res. Overflow, 8" req.    |
| 5           | A32907-001  | Float Assembly with pin, housing seal, rubber seal, insert & float | 18          | A3282-004   | Drain Casting             |
| 6           | A32929-020  | Reservoir Assembly   | 19          | 13-0704-00  | Gasket                    |
| 7           | A32777-001  | Retaining Ring for Seal  | 20          | 02-2814-08  | Clamps                    |
| 8           | 16-0791-01  | Half Union   | 21          | 13-0674-06  | Evap. Drain, 14" req.     |
| 9           | 16-0162-00  | Strainer   | 22          | A33205-001  | Plug                      |
| 10          | 13-0079-03  | Tube, 6.5" req.  | 23          | 13-0674-06  | Evap. Inlet Tube, 5" req. |
| 11          | 16-0670-02  | Tee  | 24          | 16-0670-01  | Tee                       |
| 12          | 02-0929-23  | Water Seal   | 25          | A33203-001  | Tube, Preformed           |
| 13          | 13-0868-01  | Water Shed   | 26          | 13-0079-03  | Drain Tube, 24" req.      |
|             |             |  | 27          | 03-1417-13  | Lockwasher                |
|             |             |  | 28          | 13-0230-00  | Rubber Cap                |
|             |             |  |             | 02-2814-01  | Clamp                     |

# FM2400R SERVICE PARTS

## Gearmotor



| ITEM NUMBER | PART NUMBER | DESCRIPTION                   |
|-------------|-------------|-------------------------------|
| 1           | 13-0868--01 | Water Shed                    |
| 2           | A32379-029  | Seal                          |
| 3           | no number   | End bell                      |
| 4           | A32379-026  | Bolt                          |
| 5           | A32379-022  | Gearcase Cover*               |
| 6           | A32379-024  | 1st Gear and Bearings         |
| 7           | A32379-023  | 2nd Gear and Bearings         |
| 8           | A32379-021  | Gasket                        |
| 9           | A32379-020  | Gearcase                      |
| 10          | A32898-020  | Centrifugal Switch, GE PSC    |
|             | 12-2430-24  | Start switch, Emerson         |
|             | 12-2430-44  | Start sw, GE split phase      |
| 11          | 12-2430-22  | Drive Motor-230v              |
| 12          | 12-1741-29  | Rotor Bearing, GE PSC         |
|             | 12-2430-29  | Rotor Bearing, Emerson        |
|             | 12-2430-49  | Bearing, GE split phase       |
| 13          | A32379-028  | Seal                          |
| 14          | A32379-027  | Oil, 1 Container              |
| 15          | 12-2314-22  | Capacitor, GE PSC only        |
| 16          | A33220-022  | Complete Assembly 230v        |
|             | A33220-030  | Gears, oil & cases. No motor. |

# FM2400R SERVICE PARTS

## Evaporator, Bin Controls

Item 2: Manual reset switch is part number 12-2398-01.

To secure item 2:  
Use O-Ring, part number 13-0617-53.

**ITEM NUMBER**

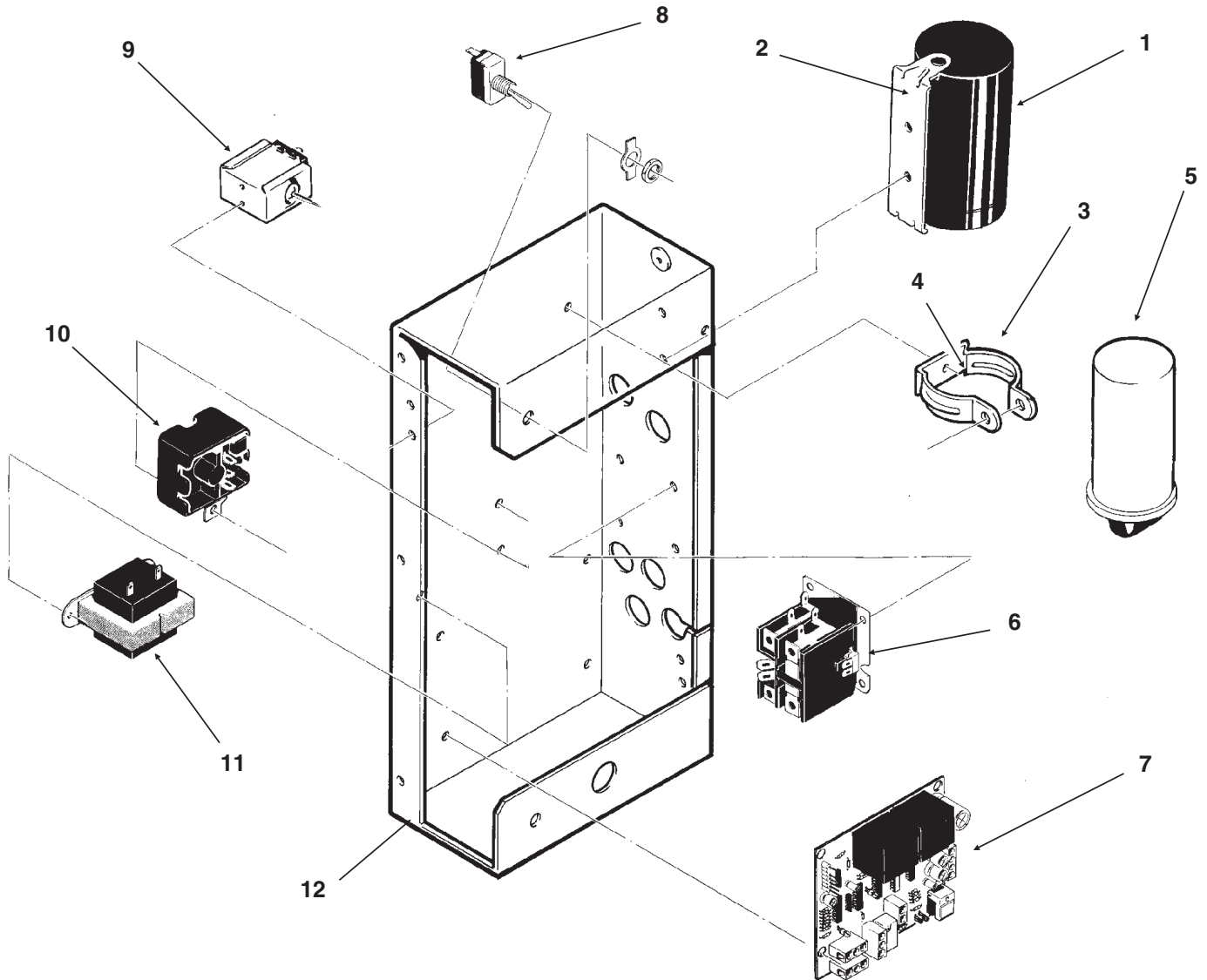
**PART NUMBER**

**DESCRIPTION**

|     |                 |                                  |     |            |   |
|-----|-----------------|----------------------------------|-----|------------|---|
| 1.  | 02-2933-01      | Hex Stud                         |     |            |   |
| 2.  | A32891-020      | Housing & Switch                 |     |            |   |
| 3.  | 02-2930-01      | Ice Chute Cover                  |     |            |   |
| 4.  | A32963-001      | Insulation Top (half)            |     |            |   |
| 5.  | 02-2926-01      | Ice Chute Body                   |     |            |   |
| 6.  | A33102-001      | Insulation Collar Inside         |     |            |   |
|     | A35419-020      | Strap Kit                        |     |            |   |
| 7.  | 02-2929-01      | Ice Chute Lower                  |     |            |   |
| 8.  | A37708-021      | Bin Controls Assy.<br>(set of 2) |     |            |   |
| 9.  | A32930-001      | Chute Gasket                     |     |            |   |
| 10. | 03-1405-52      | Hex Cap Screw                    |     |            |   |
| 11. | 02-3001-01      | Ice Sweep                        |     |            |   |
| 12. | 13-0871-01      | Water Shed                       |     |            |   |
| 13. | 02-2978-01      | Lip Seal                         |     |            |   |
| 14. | 02-3128-20      | Breaker Cover                    |     |            |   |
| 15. | 13-0617-54      | O-Ring                           |     |            |   |
| 16. | 08-0660-01      | Auger Stud                       |     |            |   |
| 17. | part of item 16 | Thrust Washer                    |     |            |   |
| 18. | A34559-020      | Bearing                          |     |            |   |
| 19. | 02-2977-01      | Lip Seal                         |     |            |   |
| 20. | 03-1405-27      | Screw                            |     |            |   |
|     |                 |                                  | 21. | 13-0617-52 | O-Ring                                  |
|     |                 |                                  | 22. | 02-2916-01 | Slotted Collar                          |
|     |                 |                                  | 23. | 13-0617-45 | O-Ring                                  |
|     |                 |                                  | 24. | 03-1544-08 | Soc. Head Screw                         |
|     |                 |                                  | 25. | A34505-020 | Breaker (Divider)<br>(includes 18 & 19) |
|     |                 |                                  | 26. | A38071-022 | Auger                                   |
|     |                 |                                  | 27. | A32890-020 | Evaporator                              |
|     |                 |                                  | 28. | 03-1420-03 | Cap Screw                               |
|     |                 |                                  | 29. | A32962-001 | Insulation Bot. (half)                  |
|     |                 |                                  | 30. | A32050-001 | Drip Pan                                |
|     |                 |                                  | 31. | 13-0704-00 | Drip Pan Gasket                         |
|     |                 |                                  | 32. | 13-0868-01 | Water Shed                              |
|     |                 |                                  | 33. | 13-0617-49 | O-ring                                  |
|     |                 |                                  | 34. | 03-1408-36 | Washer                                  |
|     |                 |                                  | 35. | A34969-001 | Bail clamp, not shown                   |

# FM2400R SERVICE PARTS

## Control Box

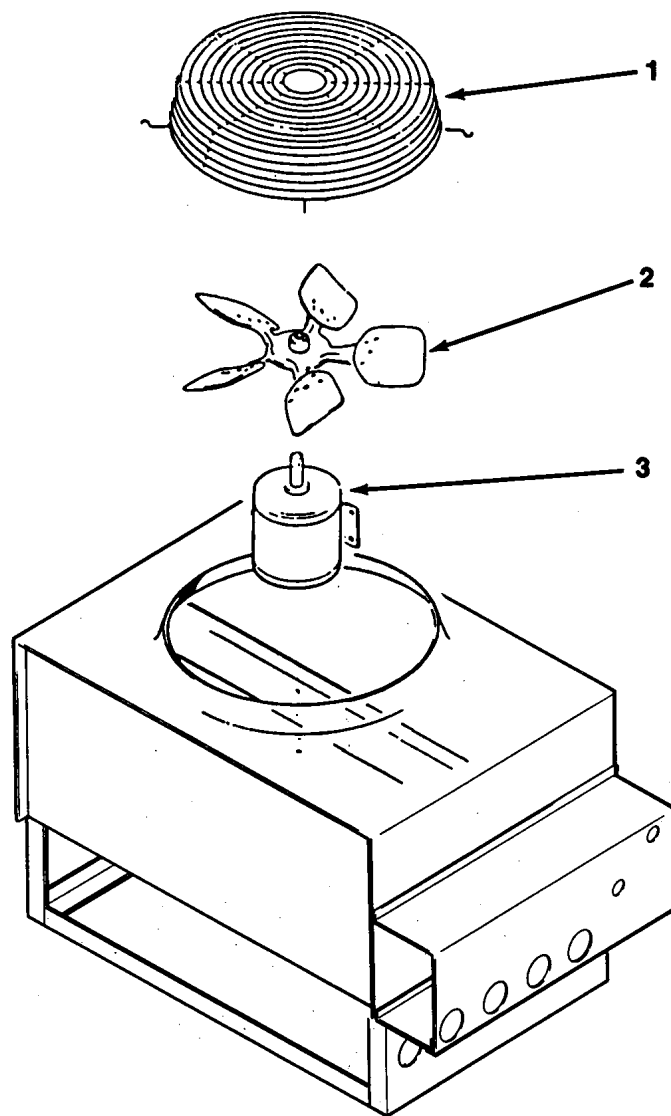


| ITEM NUMBER | PART NUMBER | DESCRIPTION             | ITEM NUMBER                   | PART NUMBER | DESCRIPTION                       |
|-------------|-------------|-------------------------|-------------------------------|-------------|-----------------------------------|
| 1           | 18-1901-48  | Start Capacitor         | 7                             | A37750-021  | Circuit Board                     |
|             | 18-4300-50  | Start Capacitor Cap.    | 8.                            | 12-0426-01  | Master Switch                     |
| 2.          | 18-2200-39  | Start Capacitor Bracket | 9.                            | 11-0420-23  | Low Pressure Control              |
|             | 03-1638-04  | Screw                   | 10                            | 18-1903-46  | Potential Relay                   |
|             | 03-1417-15  | Lockwasher              | 11.                           | 12-2285-22  | Transformer                       |
| 3.          | A32872-001  | Run Cap Bracket         | 12                            | no number   | Control Box Assy                  |
|             | 03-1652-02  | Bolt                    | NOT ILLUSTRATED               |             |                                   |
|             | 03-0255-04  | Wing Nut                | 13.                           | 12-2337-02  | 3 Pin Plug Assy                   |
| 4.          | 03-1638-03  | Screw                   |                               |             | (Safety Circuit to Circuit Board) |
| 5.          | 18-1902-45  | Run Capacitor           | 14.                           | 12-2340-01  | 4 Pin Plug Assy                   |
| 6.          | 12-2469-02  | Single Phase Contactor  |                               |             | (Transformer to Circuit Board)    |
|             | 12-0739-02  | Three Phase Contactor   | Separate From The Control Box |             |                                   |
|             |             |                         | 15.                           | 12-2070-04  | Fan Motor Relay                   |
|             |             |                         |                               |             | (in a separate control box)       |



# FM2400R SERVICE PARTS

## Remote Condenser



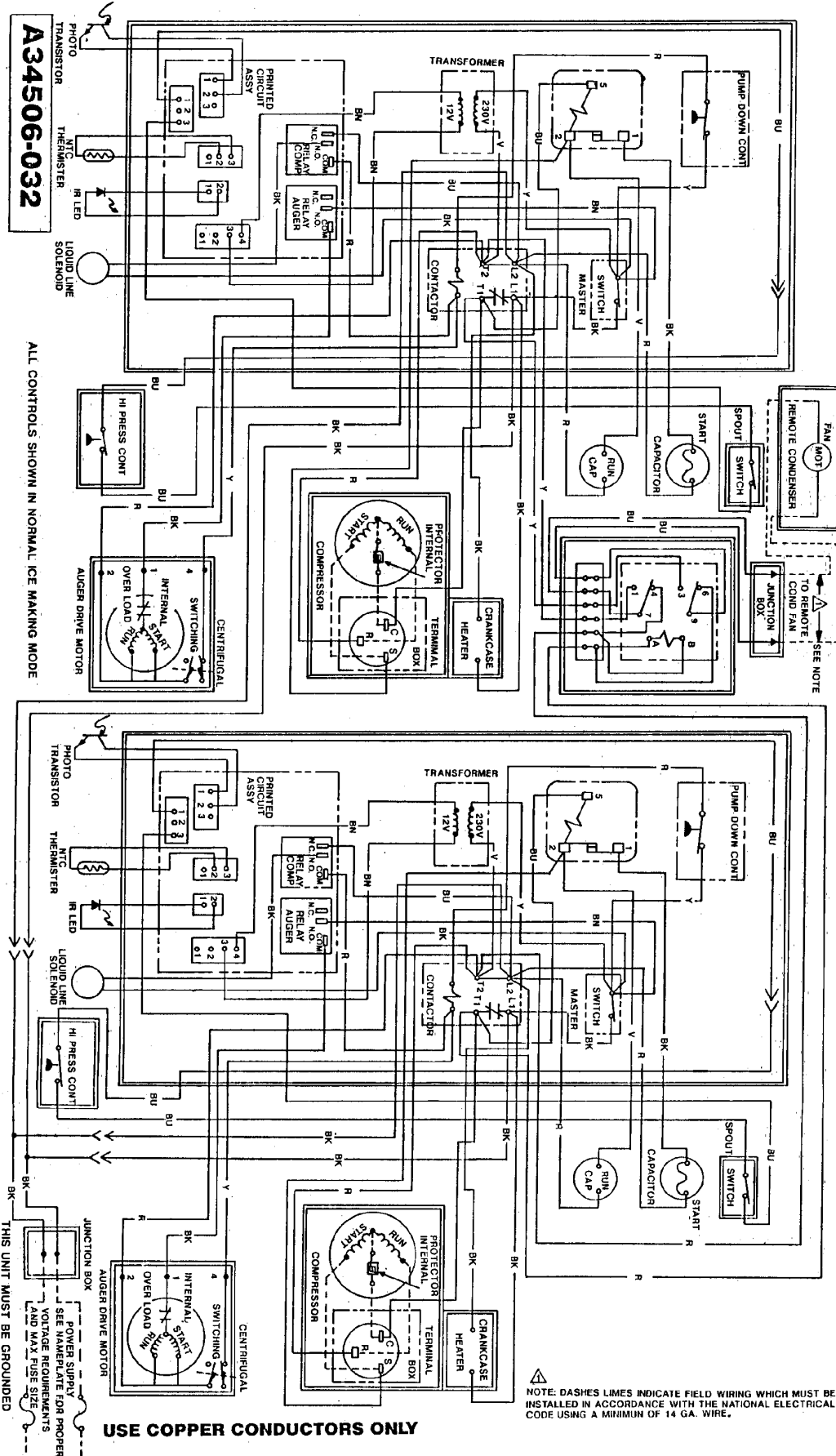
### RC1052-32A

| ITEM NUMBER | PART NUMBER | DESCRIPTION |
|-------------|-------------|-------------|
| 1.          | 02-2628-01  | Fan Guard   |
| 2.          | 18-6304-01  | Fan Blade   |
| 3.          | 18-5301-01  | Fan Motor   |

# FM2400R SERVICE PARTS

Component Layout Diagram

208-230/60/1



**A34506-032**

ALL CONTROLS SHOWN IN NORMAL ICE MAKING MODE

THIS UNIT MUST BE GROUNDED  
 POWER SUPPLY  
 SEE NAMEPLATE FOR PROPER  
 VOLTAGE REQUIREMENTS  
 AND MAX FUSE SIZE

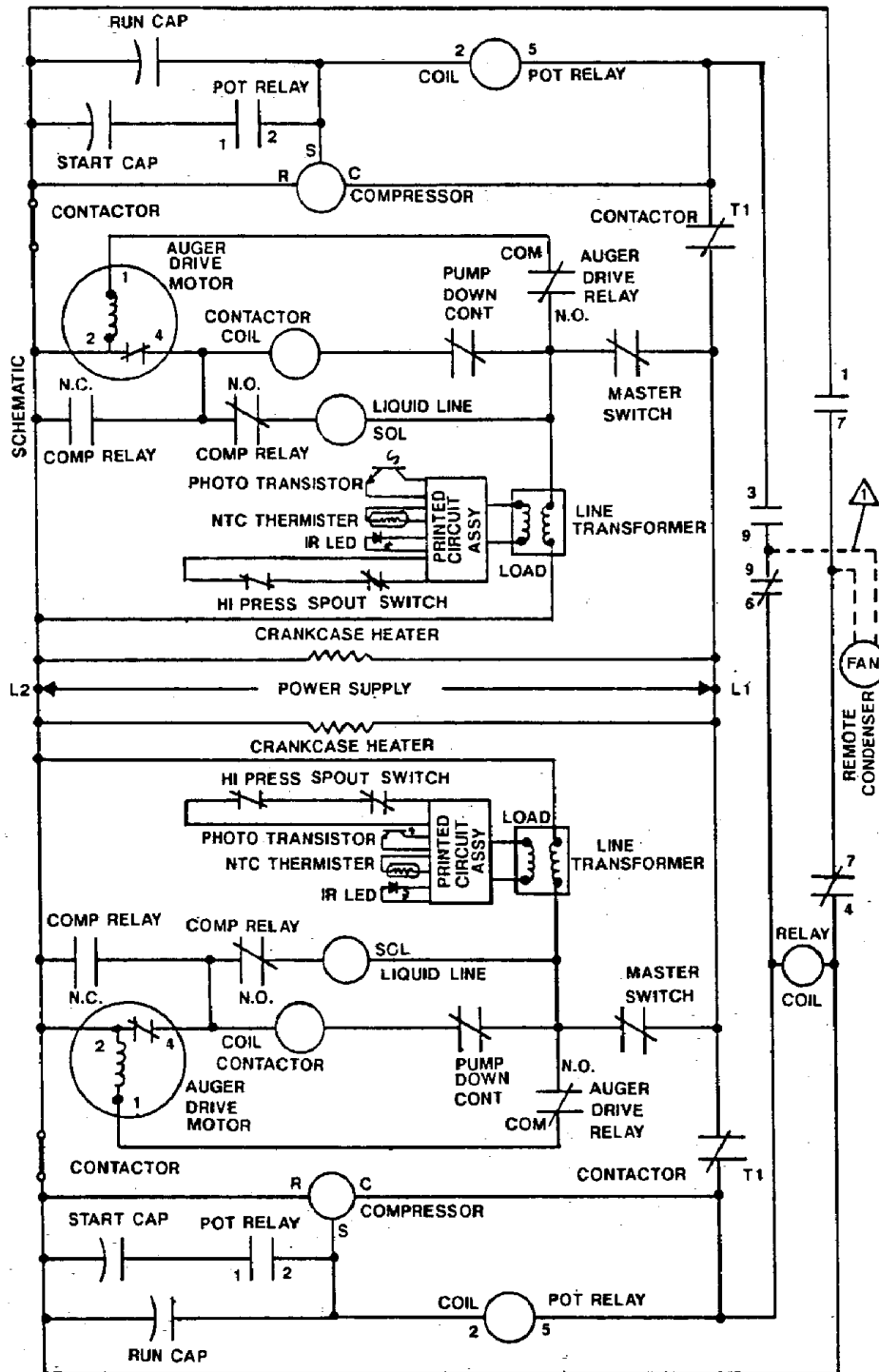
**USE COPPER CONDUCTORS ONLY**

NOTE: DASHES LINES INDICATE FIELD WIRING WHICH MUST BE INSTALLED IN ACCORDANCE WITH THE NATIONAL ELECTRICAL CODE USING A MINIMUM OF 14 GA. WIRE.

# FM2400R SERVICE PARTS

Schematic Diagram

208-230/60/1



**USE COPPER CONDUCTORS ONLY THIS UNIT MUST BE GROUNDED**

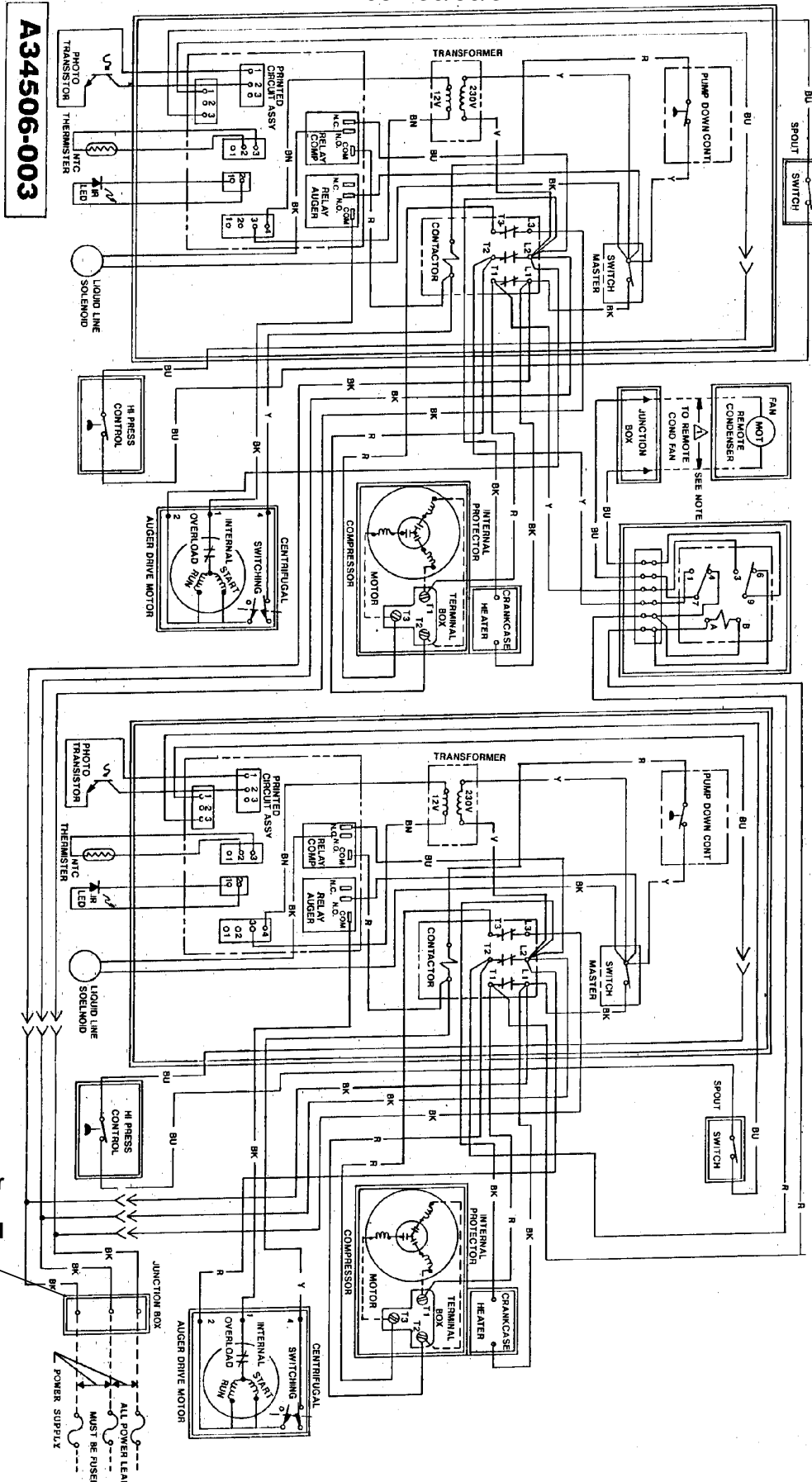
All Controls Shown in Normal Ice Making Mode.

Note: Dashed lines indicate field wiring which must be installed in accordance with the National Electric Code Using a Minimum of 14 ga. awg. wire.

# FM2400R SERVICE PARTS

Component Layout Diagram

208-230/60/3



**Power Supply**  
 See Nameplate for  
 Proper Voltage  
 Requirements and  
 Max Fuse Size.  
 All Power Leads  
 Must Be Fused

# FM2400R SERVICE PARTS

Schematic Diagram

208-230/60/3

