

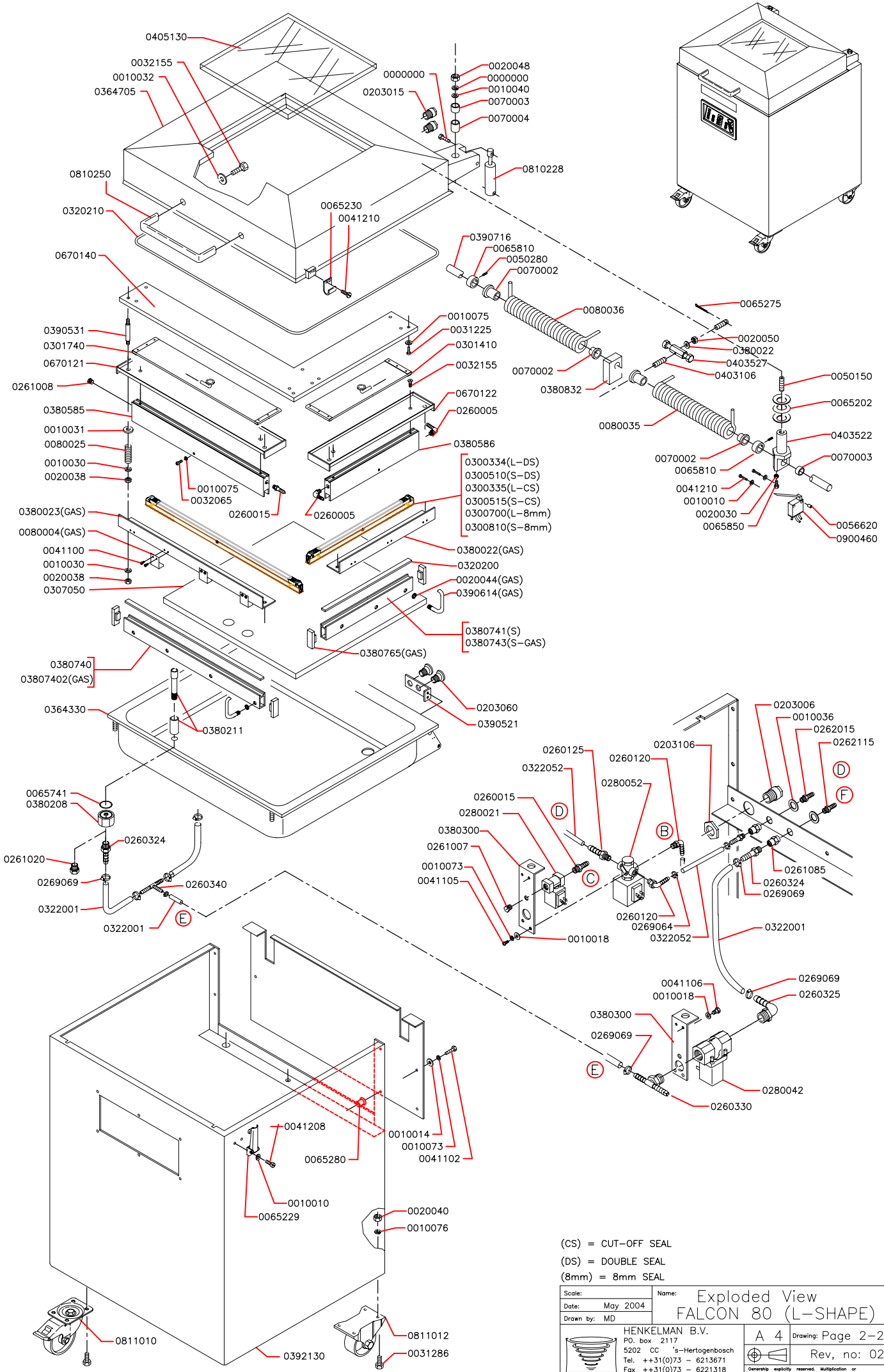


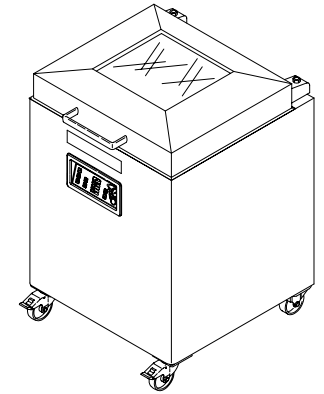
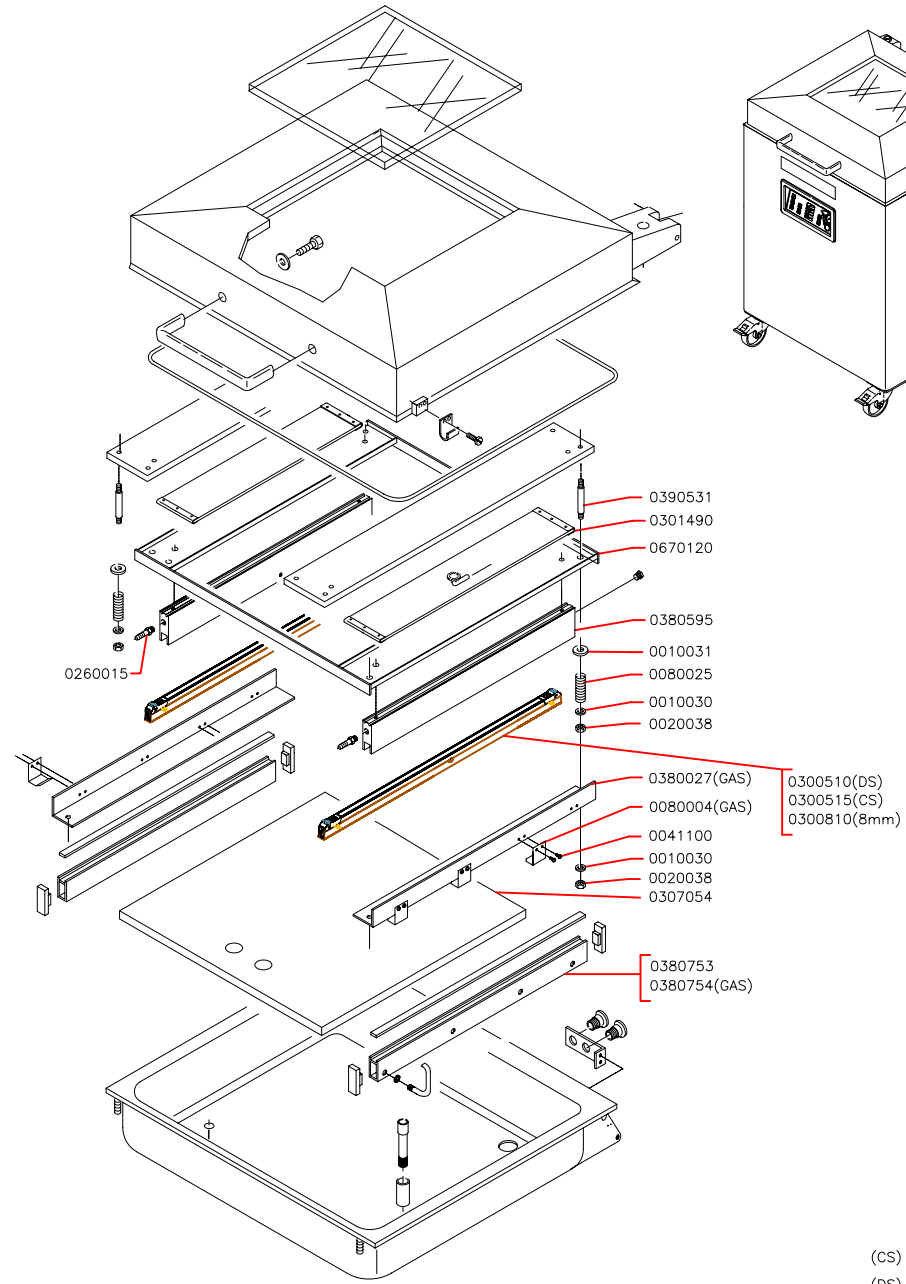
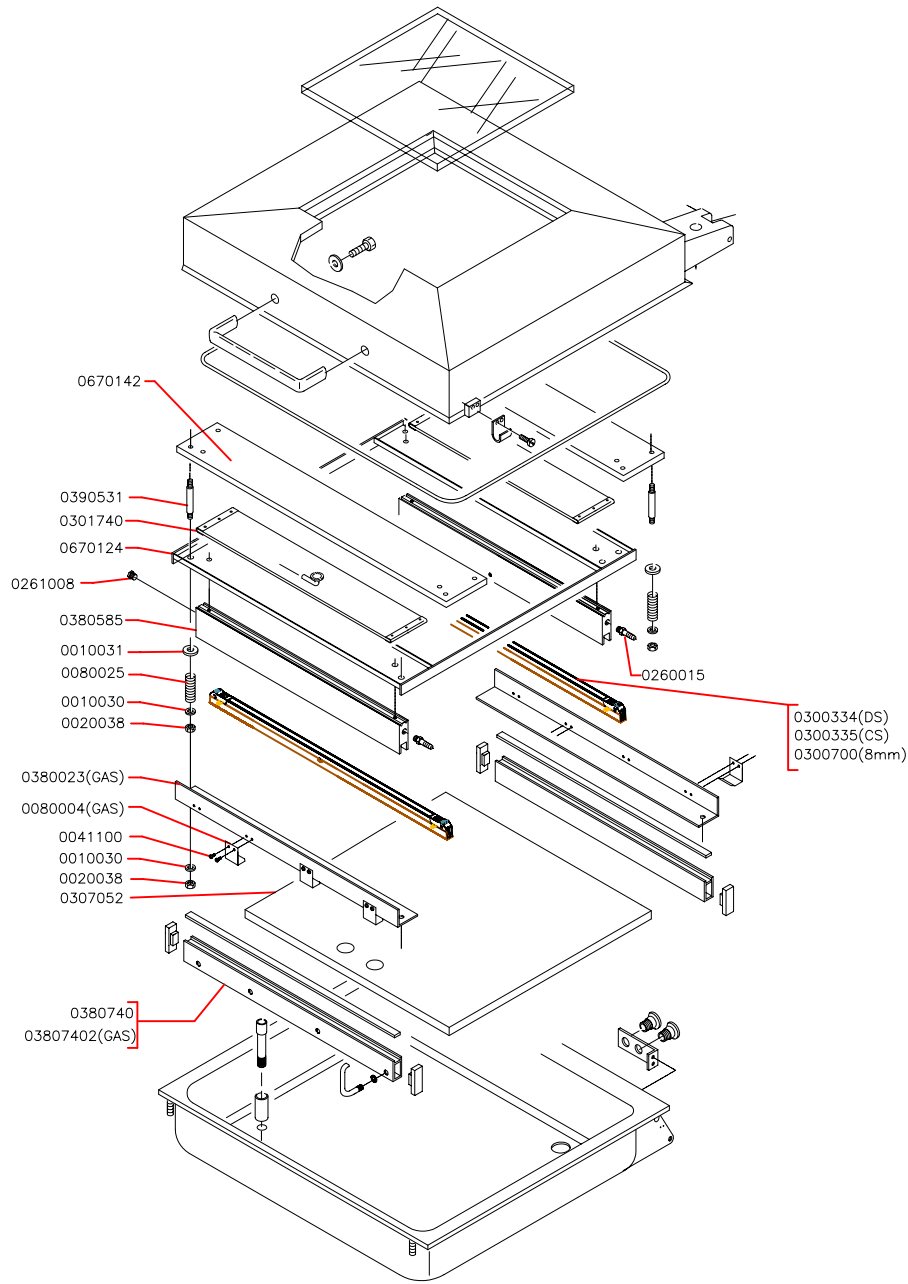
| | | | |
|---|---|----------------------------|--|
| Scale: | Name: | Exploded View FALCON 80 | |
| Date: May 2004 | | | |
| Drawn by: MD | | | |
|  HENKELMAN B.V. P.O. box 2117 5202 CC 's-Hertogenbosch Tel. ++31(0)73 - 6213671 Fax ++31(0)73 - 6221318 The Netherlands | A 4 | Drawing: Page 1-3 | |
| |  Rev, no: 03 | | <small>Ownership explicitly reserved. Multiplication or information to third parties in any form is not permitted without written permission of the owner.</small> |




- 0300334(L-DS)
- 0300510(S-DS)
- 0300335(L-CS)
- 0300515(S-CS)
- 0300700(L-8mm)
- 0300810(S-8mm)

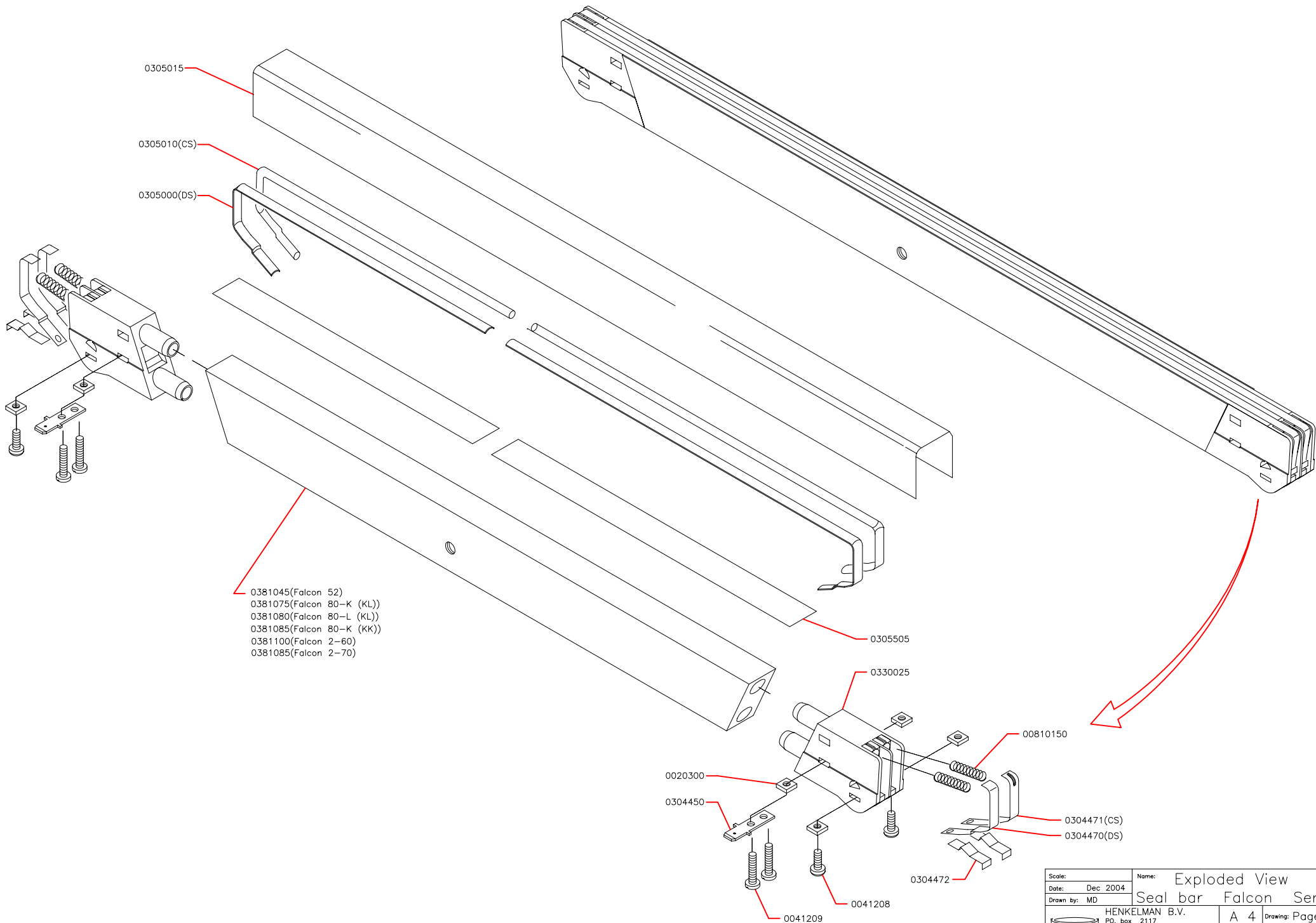
(CS) = CUT-OFF SEAL
 (DS) = DOUBLE SEAL
 (8mm) = 8mm SEAL

| | | | |
|--|-------|--------------------------------------|-------------------|
| Scale: | Name: | Exploded View FALCON 80 (L-SHAPE) | |
| Date: May 2004 | | | |
| Drawn by: MD | | | |
| HENKELMAN B.V. P.O. box 2117 5202 GC 's-Hertogenbosch Tel. ++31(0)73 - 6213671 Fax ++31(0)73 - 6221318 The Netherlands | | A 4 | Drawing: Page 2-2 |
| | | Rev. no: 02 | |
| <small>Ownership explicitly reserved. Multiplication or information to third parties in any form is not permitted without written permission of the owner.</small> | | | |



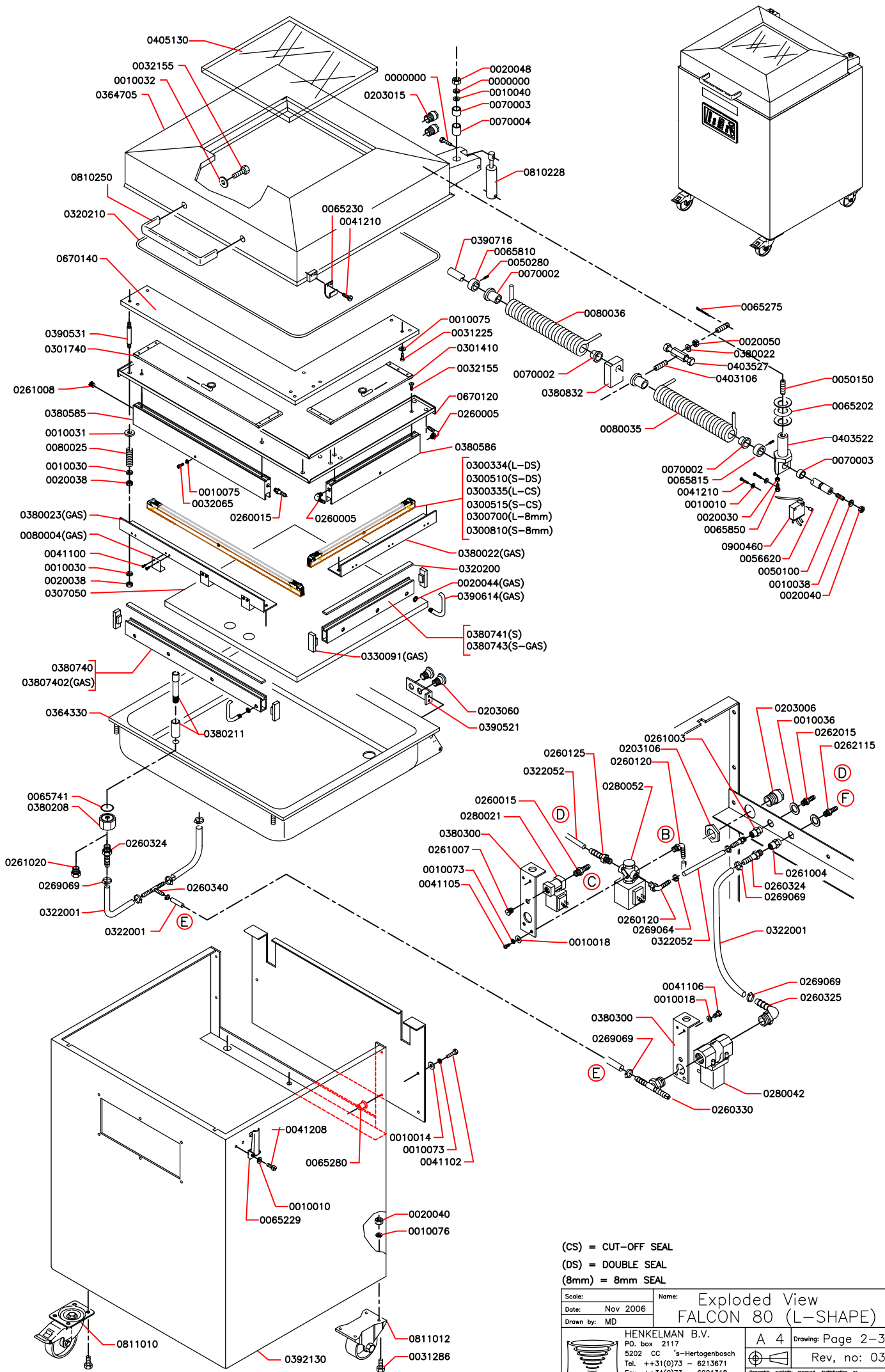
(CS) = CUT-OFF SEAL
 (DS) = DOUBLE SEAL
 (8mm) = 8mm SEAL

| | |
|---|---|
| Scale: | Name: Exploded View |
| Date: May 2004 | FALCON 80 SEAL CONFIG |
| Drawn by: MD | |
|  HENKELMAN B.V. P.O. box 2117 5202 CC 's-Hertogenbosch Tel. ++31(0)73 - 6213671 Fax ++31(0)73 - 6221318 The Netherlands | A 4 Drawing: Page 3-3 |
| | Rev, no: 03 |
| | Ownership explicitly reserved. Multiplication or information to third parties in any form is not permitted without written permission of the owner. |
| | |



- 0381045(Falcon 52)
- 0381075(Falcon 80-K (KL))
- 0381080(Falcon 80-L (KL))
- 0381085(Falcon 80-K (KK))
- 0381100(Falcon 2-60)
- 0381085(Falcon 2-70)

| | | | |
|---|----------|---|--|
| Scale: | Name: | Exploded View | |
| Date: | Dec 2004 | Seal bar Falcon Series | |
| Drawn by: | MD | A 4 Drawing: Page 1-1 | |
| HENKELMAN B.V. P.O. box 2117 5202 CC 's-Hertogenbosch Tel. ++31(0)73 - 6213671 Fax ++31(0)73 - 6221318 The Netherlands | | Rev. 01 <small>Ownership explicitly reserved. Multiplication or information to third parties in any form is not permitted without written permission of the owner.</small> | |



(CS) = CUT-OFF SEAL
 (DS) = DOUBLE SEAL
 (8mm) = 8mm SEAL

| | | | |
|--|-------|--------------------------------------|-------------------|
| Scale: | Name: | Exploded View FALCON 80 (L-SHAPE) | |
| Date: Nov 2006 | | | |
| Drawn by: MD | | | |
| HENKELMAN B.V. P.O. box 2117 5202 CC S-Hertogenbosch Tel. ++31(0)73 - 6213671 Fax ++31(0)73 - 6221318 The Netherlands | | A 4 | Drawing: Page 2-3 |
| | | Rev. no: 03 | |
| <small>Ownership explicitly reserved. Multiplication or information to third parties in any form is not permitted without written permission of the owner.</small> | | | |