

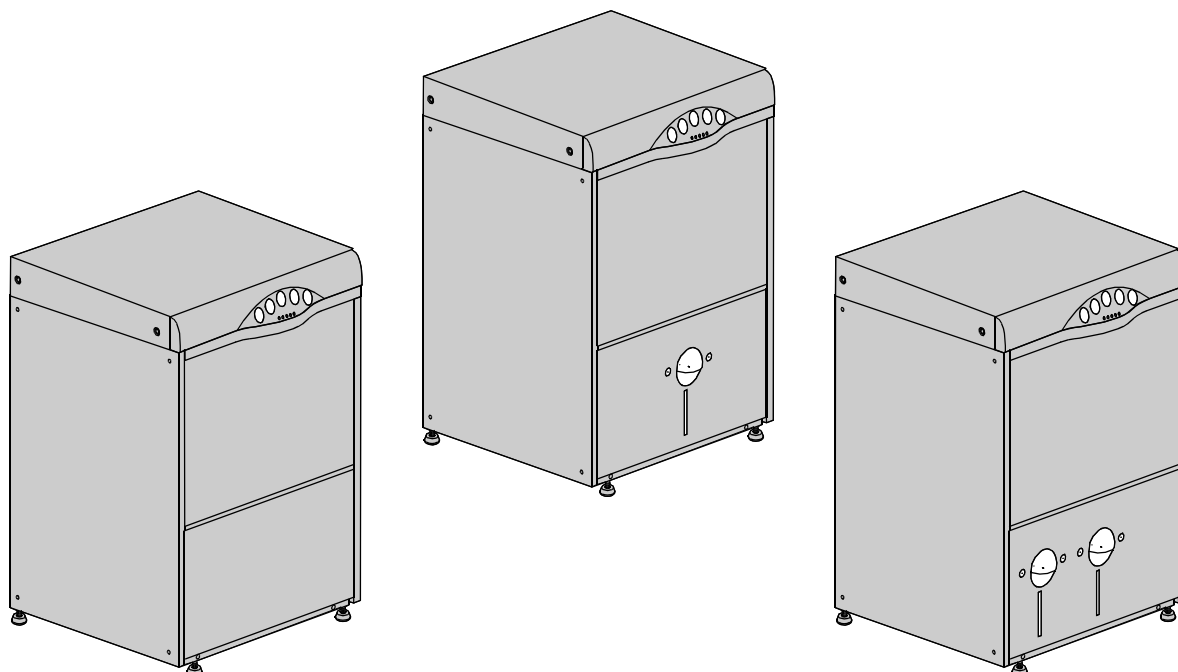
DISHWASHER

ELECTROMECHANICAL SWITCHES
LOWER AND UPPER WASHING

TYPE: 321P

Accessories
BOOSTER PUMP
DVGW
COLD RINSE
WATER SOFTNER
DETERGENT DISPENSER
DRAIN PUMP

Spare parts manual



S/N:

Valid from:..02/2003

Rev.: 0.0

1. Spare parts

General body parts.....	7
Lockup system	9
Lockup system	17
Control panel	11
Control electric components.....	13
Solenoid valve group	15
Booster pump.....	17
DVGW	19
Shining product dosing device group .	21
Boiler group	23
3 ways derivation	25
Wash pump	27
Dosing device group	29
Dosing device group	31
Drain pump group.....	33
Pressure switch group with air trap ...	35

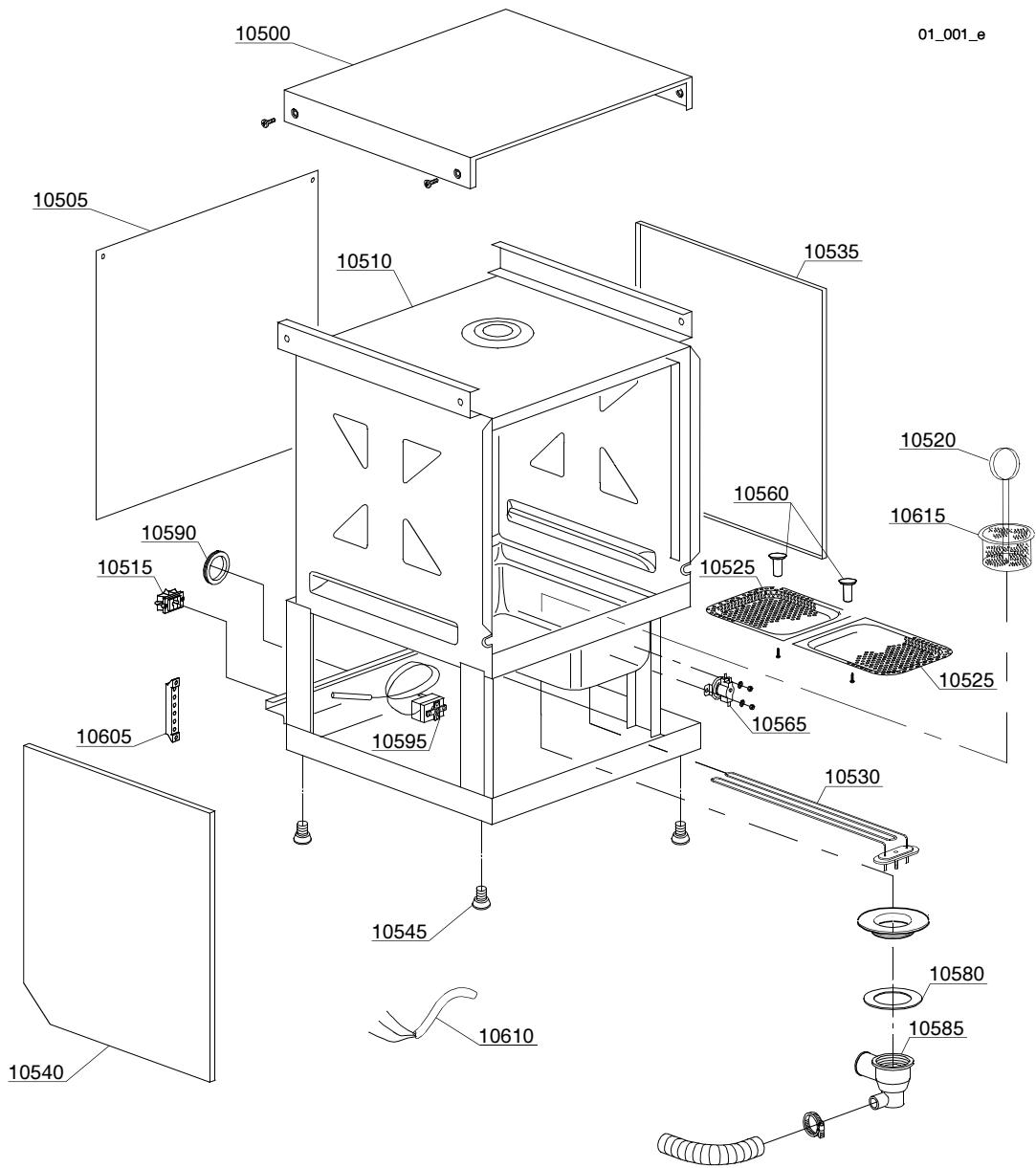
Turret group with rotating arms37

1.1 Voltage codes

Voltage code	Voltage
A	3/N/PE~400/230V 50Hz
B	~250V 16A 50Hz
C	3/N/PE~380/220V 50Hz
D	3/PE~200V 50-60Hz
F	2/PE 220-240V 50Hz
G	3/N/PE~415/240V 50Hz
H	3/PE~230V 50Hz
I	3/PE~220V 60Hz
J	3/PE~380 50Hz
K	3/PE~400V 50Hz
L	3/PE~415V 50Hz
M	3/PE~440V 60Hz
N	3/PE~460V 60Hz
O	3/PE~480V 60Hz
P	1/N/PE~220-240V 50Hz
R	2/PE~220-230V 60Hz
S	3/N/PE~400/230V 50Hz
T	3/PE~230V 60Hz

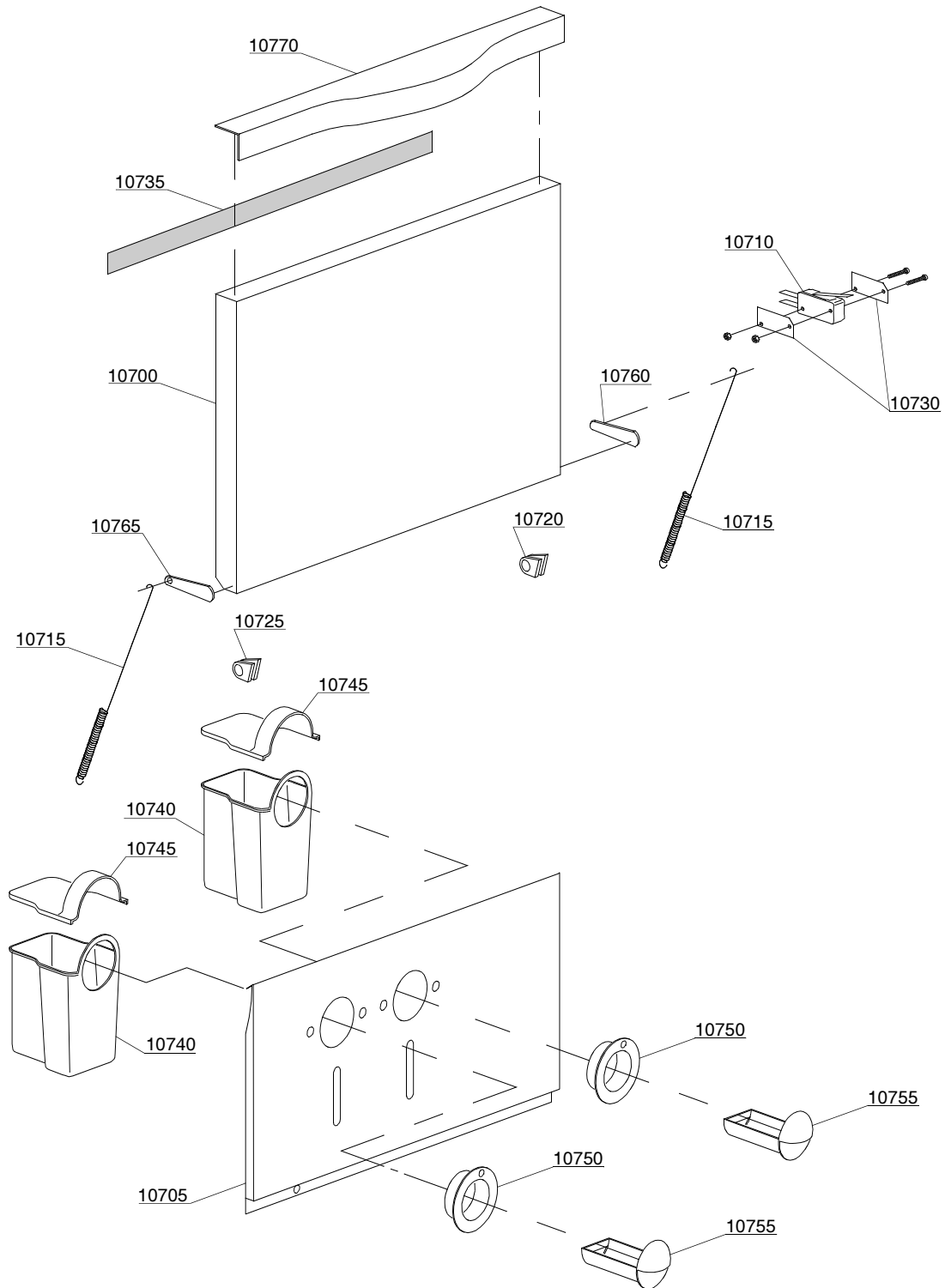
1.2 Product codes

Product code	Full name
Model codes	
em	ELECTROMECHANICAL SWITCHES
ls	LOWER AND UPPER WASHING
Type codes	
321P	321P
Accessory codes	
pap	BOOSTER PUMP
dvgw	DVGW
fs	COLD RINSE
d	WATER SOFTNER
dde	DETERGENT DISPENSER
ps	DRAIN PUMP



Spare parts

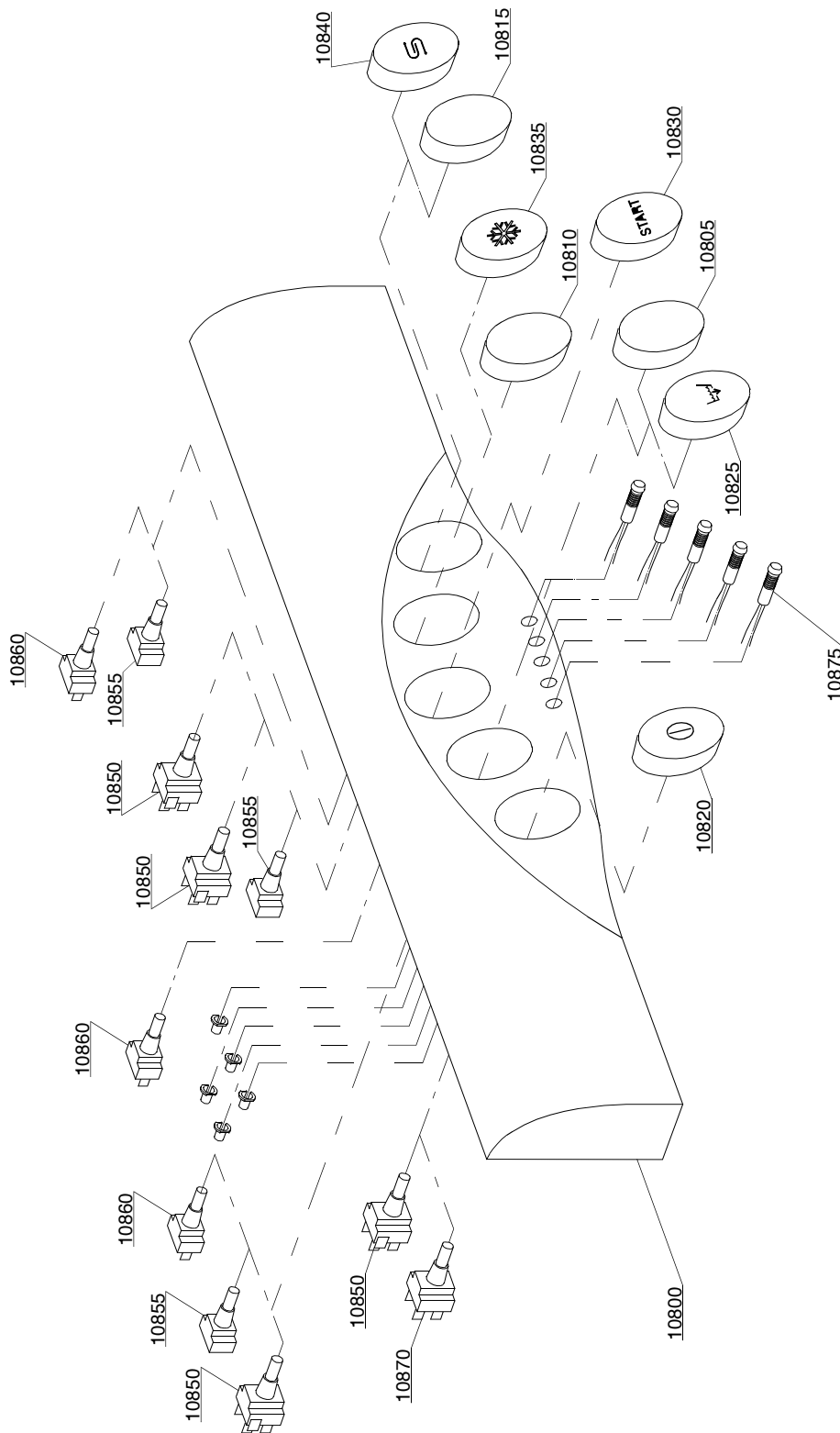
ID	P-code	Model	Type	Accessory	Voltage	Description
MODULE:General body parts						
10500	540911		321P			Cover
10505	540903		321P			Back panel
10510	540908		321P			Body
10515	15065/A		321P			Cable-fastener with screw
10520	540086		321P			Filter handle
10525	540028		321P			Surface half-filter
10530	540406		321P			1,1 KW heating element
10535	540900		321P			Right side
10540	540901		321P			Left side
10545	10850		321P			Foot
10560	540039		321P			Surface filter handle
10565	15551		321P			Fixed tank thermostat in deviation
10580	80208		321P			95x75x3 gasket
10585	500606		321P			Right side scrap tray
10590	13317		321P			O40mm fairlead
10595	10707/1		321P			0-90°C thermostat
10605	500551		321P			6 poles terminal board
10610	10713		321P			3x2,5x2500 cable
10610	15118		321P			5x2,5 cable
10615	540080		321P			Pump suction filter
10620	540088		321P			Ring nut for pump suction holder-filter



02_006_e

Spare parts

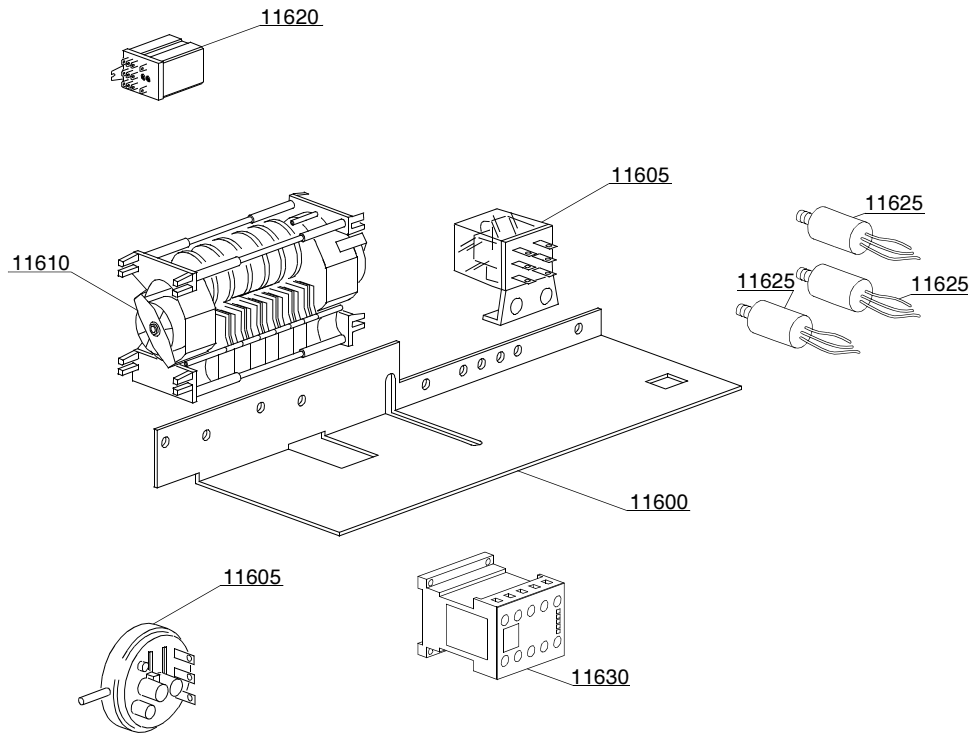
ID	P-code	Model	Type	Accessory	Voltage	Description
MODULE:Lockup system						
10700	540909		321P			Door with plastic handle
10705	540917		321P			Lower door
10710	10704		321P			Door microswitch
10715	560003		321P			Door spring
10720	540035		321P			Right axle bush for door hinge
10725	540036		321P			Left axle bush for door hinge
10730	10770		321P			Insulating for door microswitch
10735	560021		321P			Profile for door gasket
10740	540019		321P			Container for shining product dosing device
10745	540020		321P			Cover for container
10750	540021		321P			Drawer-holder for container
10755	540022		321P			Drawer
10760	540624		321P			Right arm for door
10765	540629		321P			Left arm for door
10770	540502		321P			Handle



03_101_e

Spare parts

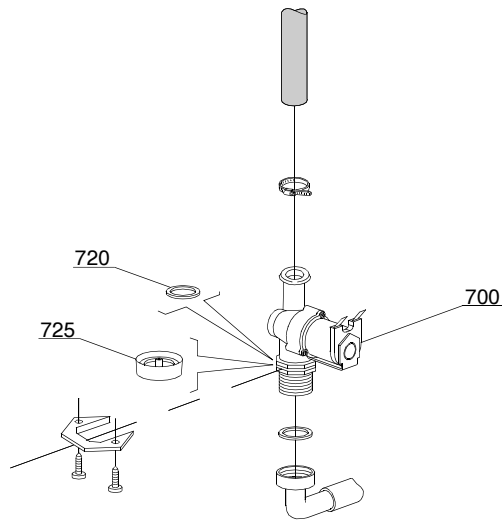
ID	P-code	Model	Type	Accessory	Voltage	Description
MODULE:Control panel						
10800	540501		321P			Control panel
10810	560538		321P			Key 4 with point
10815	560526/A		321P			Key 5 with point
10820	560527/A		321P			ON-OFF key 1
10825	560528/A		321P			Drain pump key 2
10830	560529/A		321P			Start key 3
10850	15811		321P			16A bipolar switch
10850	15811/A		321P			16A bipolar switch push button
10855	15844		321P			Key support
10860	15813		321P			16A unipolar push button
10870	15800		321P			16A bipolar push button
10870	15812		321P			16A switch
10875	10711		321P			Pilot light



04_001_e

Spare parts

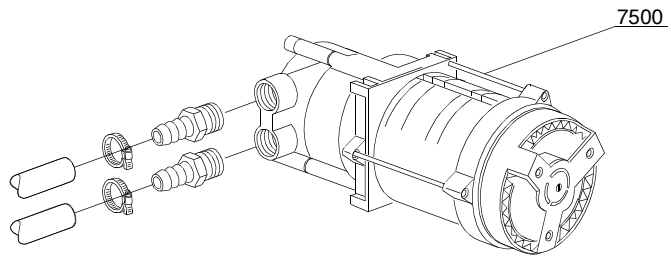
ID	P-code	Model	Type	Accessory	Voltage	Description
MODULE:Control electric components						
11600	540943		321P			Electric components panel
11605	16037		321P			16A bipolar relay
11610	10300125		321P			120" timer - 220Vac 60Hz
11620	16037/D		321P			16A bipolar relay
11625	15149		321P			Low noise filter
11630	15086		321P			Remote control switch 230V 50/60Hz 4C
11640	540054		321P			18-33 pressure switch



05_002_e

Spare parts

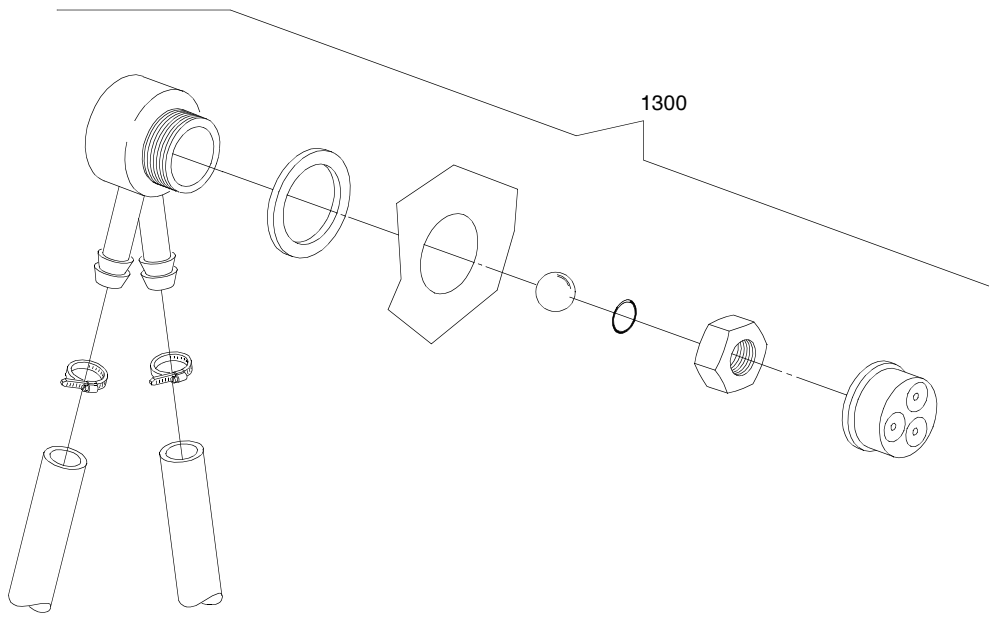
ID	P-code	Model	Type	Accessory	Voltage	Description
MODULE:Solenoid valve group						
700	10703		321P			Single solenoid valve
720	N.C.		321P			Pression reducing valve



07_003_e

Spare parts

ID	P-code	Model	Type	Accessory	Voltage	Description
MODULE:Booster pump						
7500	15100/D		321P	bp		Booster pump

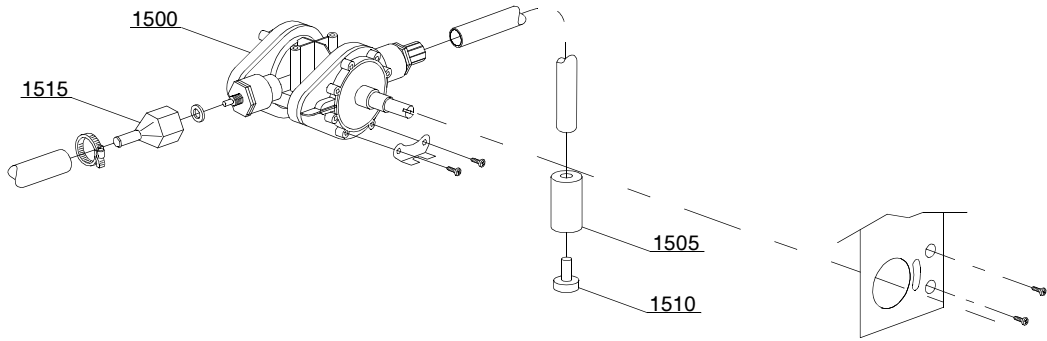


08_005_e

Spare parts

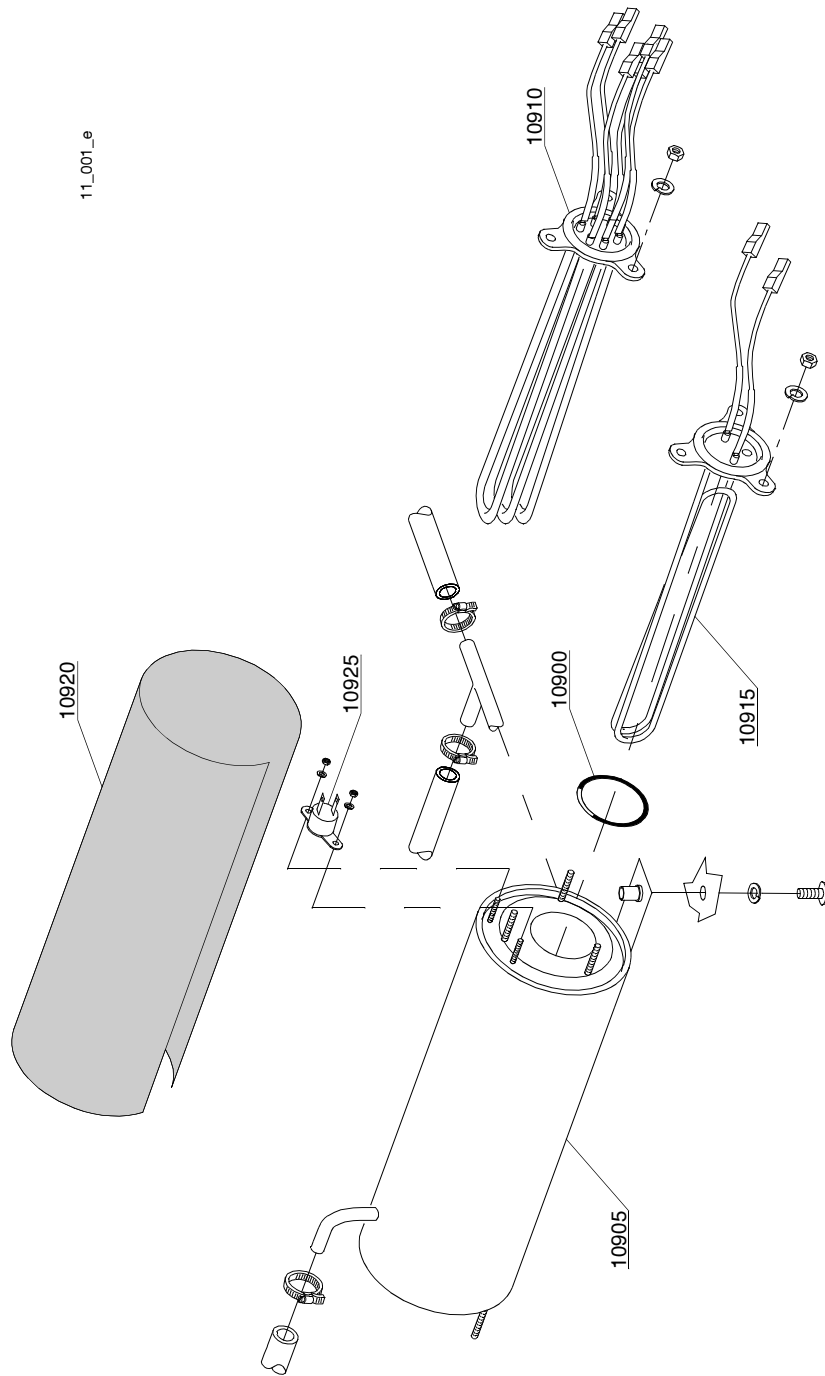
ID	P-code	Model	Type	Accessory	Voltage	Description
MODULE: DVGW						
1300	999900006		321P	dv gw		DVGW assembly

10_002_e



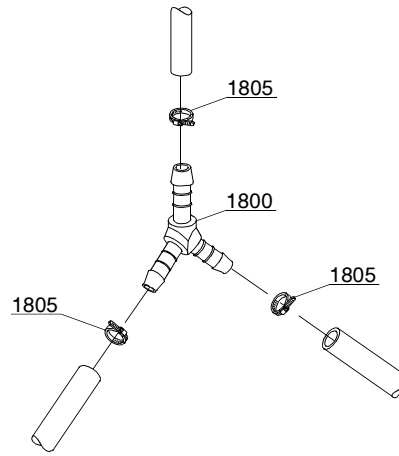
Spare parts

ID	P-code	Model	Type	Accessory	Voltage	Description
MODULE:Shining product dosing device group						
1500	10798		321P			Shining product dosing device
1505	12525		321P			Counter-weight
1510	15058		321P			Small filter
1515	10798/B		321P			Brass pipe fitting



Spare parts

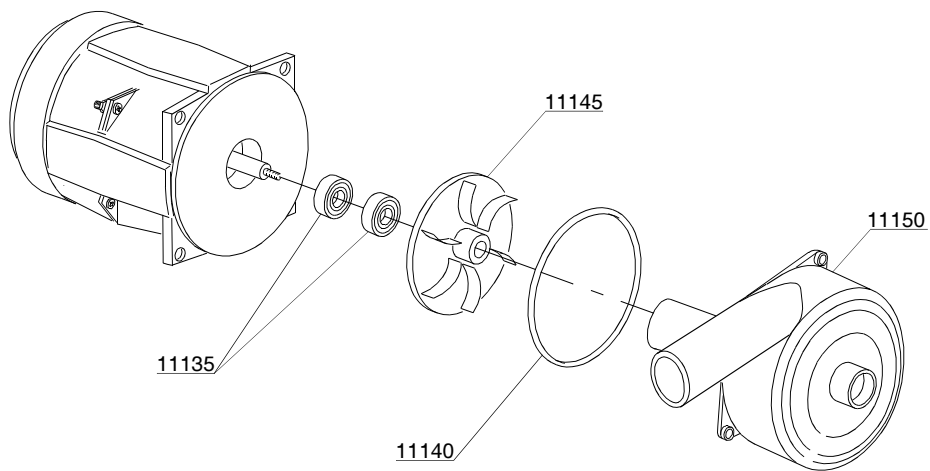
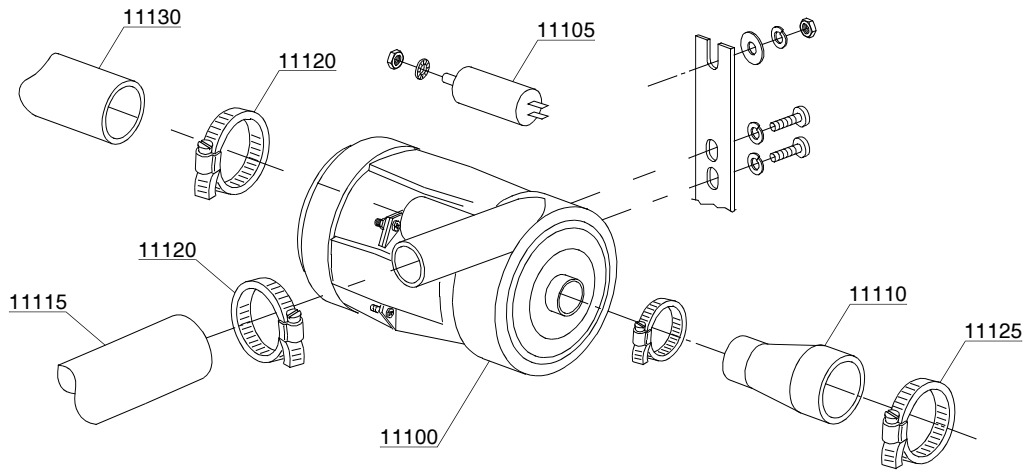
ID	P-code	Model	Type	Accessory	Voltage	Description
MODULE:Boiler group						
10900	13010		321P			OR gasket
10905	540006		321P			Boiler
10910	18215		321P			4KW heating element
10915	18206/D		321P			2,8KW heating element
10920	540040		321P			Insulating boiler
10925	15550		321P			Safety thermostat



12_003_e

Spare parts

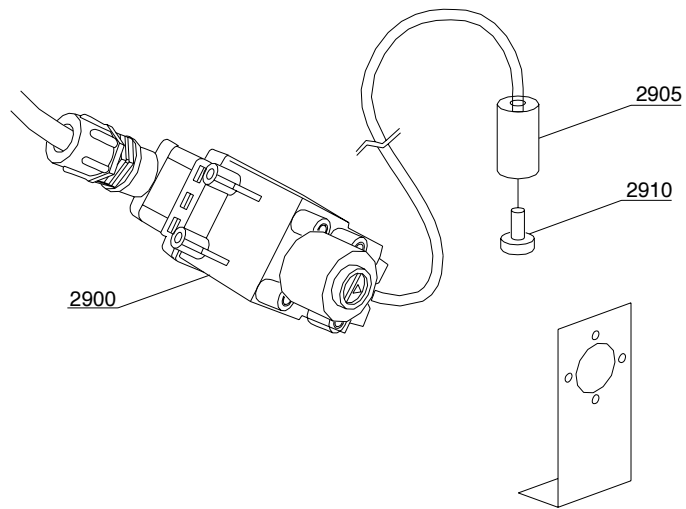
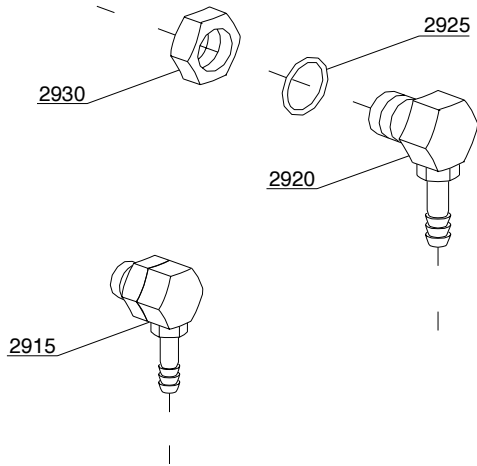
ID	P-code	Model	Type	Accessory	Voltage	Description
MODULE:3 ways derivation						
1800	540090		321P			O10 mm plastic 3 ways derivation
1800	540094		321P			O6 mm plastic 3 ways derivation
1805	11807		321P			12/22 clamp



Spare parts

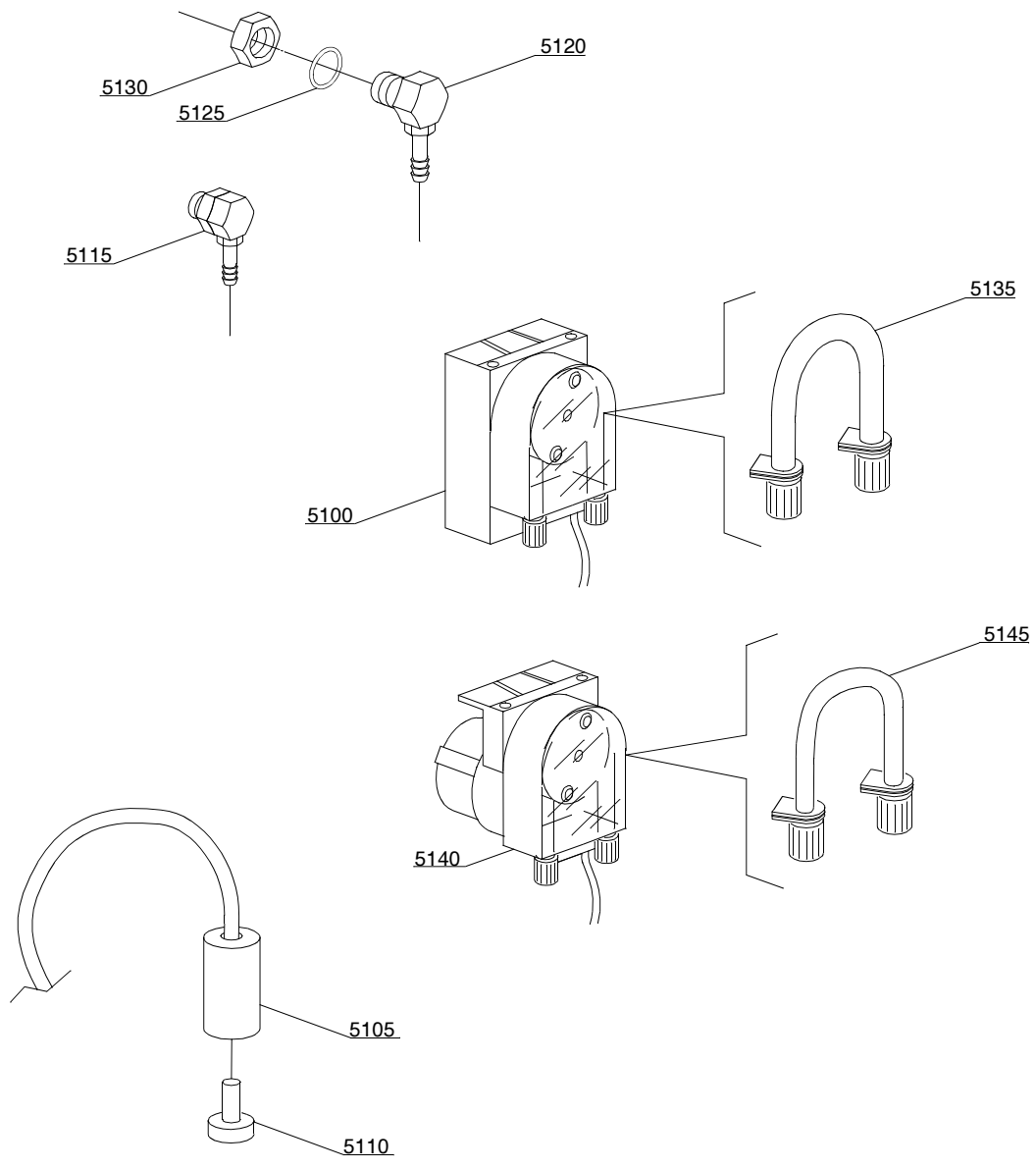
ID	P-code	Model	Type	Accessory	Voltage	Description
MODULE:Wash pump						
11100	18242		321P		A	0,30Hp wash pump
11105	18043		321P			10 uF condenser
11110	540005		321P			Suction pipe coupling
11115	16168		321P			Lower wash delivery pipe
11120	11806		321P			25/40 clamp
11125	11824		321P			50/70 clamp
11130	540004		321P			Top delivery pipe
11135	15080		321P			Rotating seals
11140	18245		321P			OR gasket
11145	18246		321P			Pump rotor
11150	18247		321P			Scroll

14_002_e



Spare parts

ID	P-code	Model	Type	Accessory	Voltage	Description
MODULE:Dosing device group						
2900	15108/L		321P	dd		Lang dosing device
2905	12525		321P	dd		Counter-weight
2910	15058		321P	dd		Small filter
2915	15123		321P	dd		Compleat plastic injector
2920	15148		321P	dd		Steel injector
2925	15159		321P	dd		OR gasket
2930	10200205		321P	dd		M12x1 stainless steel nut

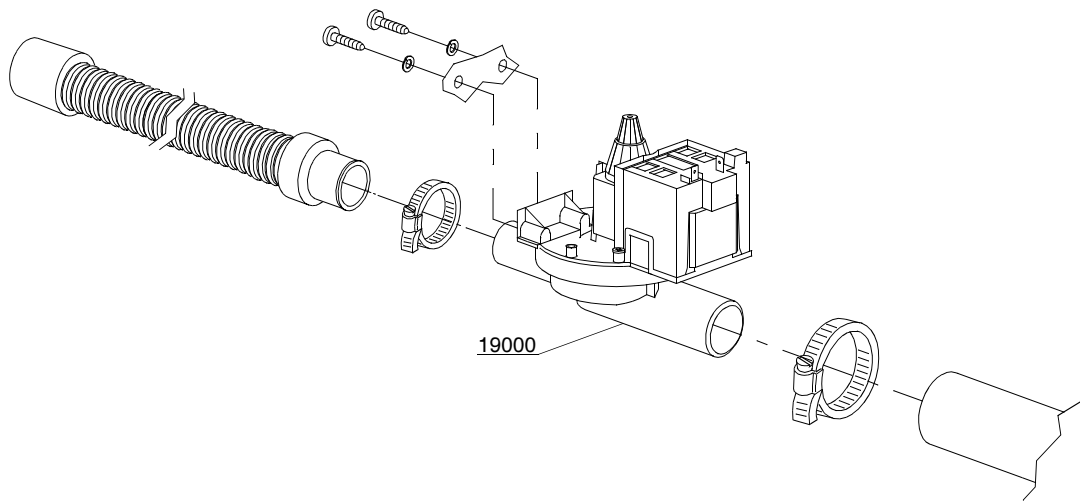


14_004_e

Spare parts

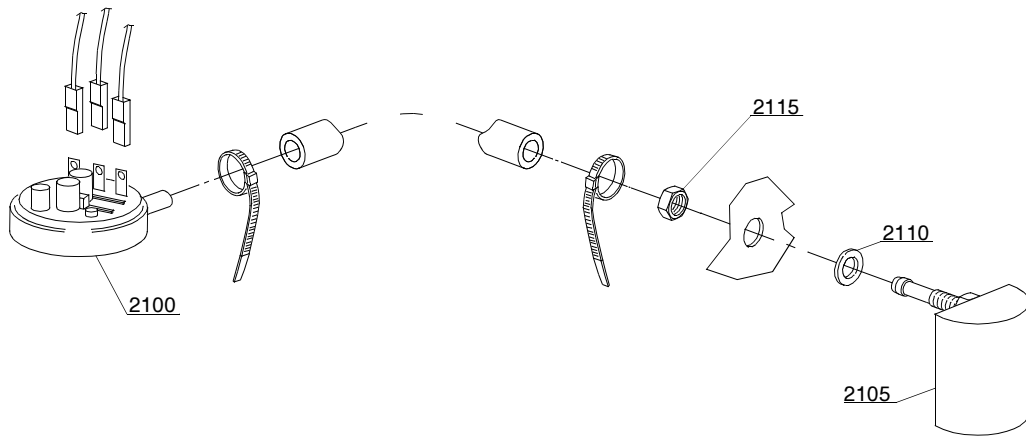
ID	P-code	Model	Type	Accessory	Voltage	Description
MODULE:Dosing device group						
5100	15985		321P	dd		Seko dosing device
5105	12525		321P	dd		Counter-weight
5110	15058		321P	dd		Small filter
5115	15123		321P	dd		Complet plastic injector
5120	15148		321P	dd		Steel injector
5125	15159		321P	dd		OR gasket
5130	10200205		321P	dd		M12x1 stainless steel nut
5135	15185		321P	dd		Seko thermoplastic pipe
5140	15985		321P	dd		Germac dosing device
5145	15108/E		321P	dd		Germac thermoplastic pipe

15_002_e



Spare parts

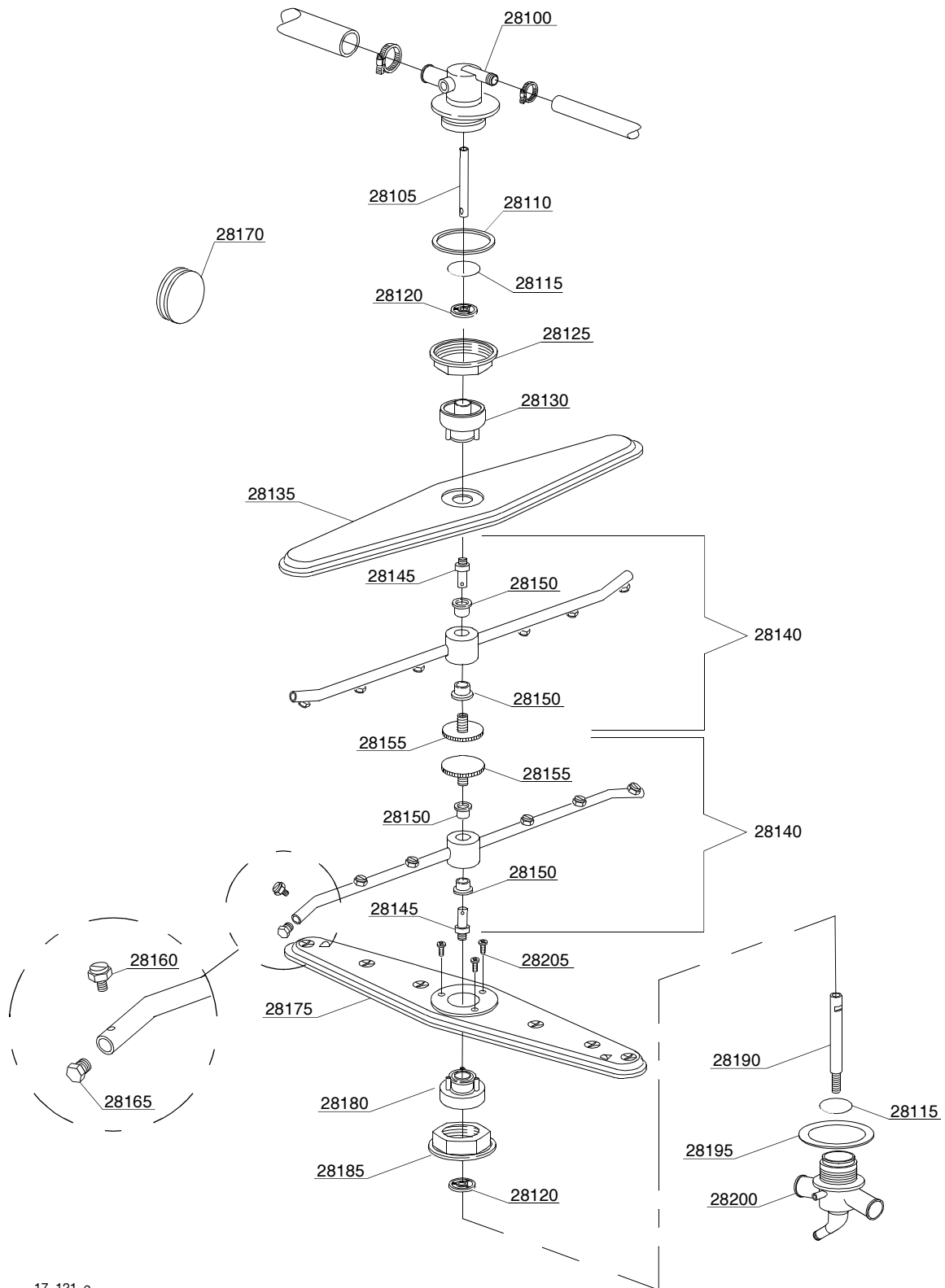
ID	P-code	Model	Type	Accessory	Voltage	Description
MODULE:Drain pump group						
19000	15101/A		321P	dp	A	Drain pump - 50Hz



16_001_e

Spare parts

ID	P-code	Model	Type	Accessory	Voltage	Description
MODULE:Pressure switch group with air trap						
2100	10706/A		321P			47-27 pressure switch
2105	135911/B		321P			Air trap assembly
2110	13301		321P			Gasket
2115	11702		321P			M8 stainless steel nut



17_121_e

Spare parts

ID	P-code	Model	Type	Accessory	Voltage	Description
MODULE:Turret group with rotating arms						
28100	540075		321P			Top turret
28105	540081		321P			Top axle extension
28110	540032		321P			Plain gasket
28115	540079		321P			Spacer ring for hub
28120	540076		321P			Guide pipe
28125	540093		321P			Nut for top turret fixing
28130	540078		321P			Top hub for rotor
28135	540085		321P			Top wash rotor
28140	540083		321P			Rinse group
28145	75323		321P			Rinse axle
28150	13330		321P			Sliding washer
28155	11101/B		321P			Stainless steel group fixing screw
28160	560018		321P			Stainless steel rinse nozzle
28165	560017		321P			Rinse arm plug
28170	13316/A		321P			DVGW hole gasket
28175	540084		321P			Lower wash rotor
28180	540077		321P			Lower hub for rotor
28185	540010		321P			Nut for lower turret fixing
28190	540082		321P			Lower axle extension
28195	540034		321P			Plain gasket
28200	540074		321P			Lower turret
28205	11006		321P			Stainless steel screw