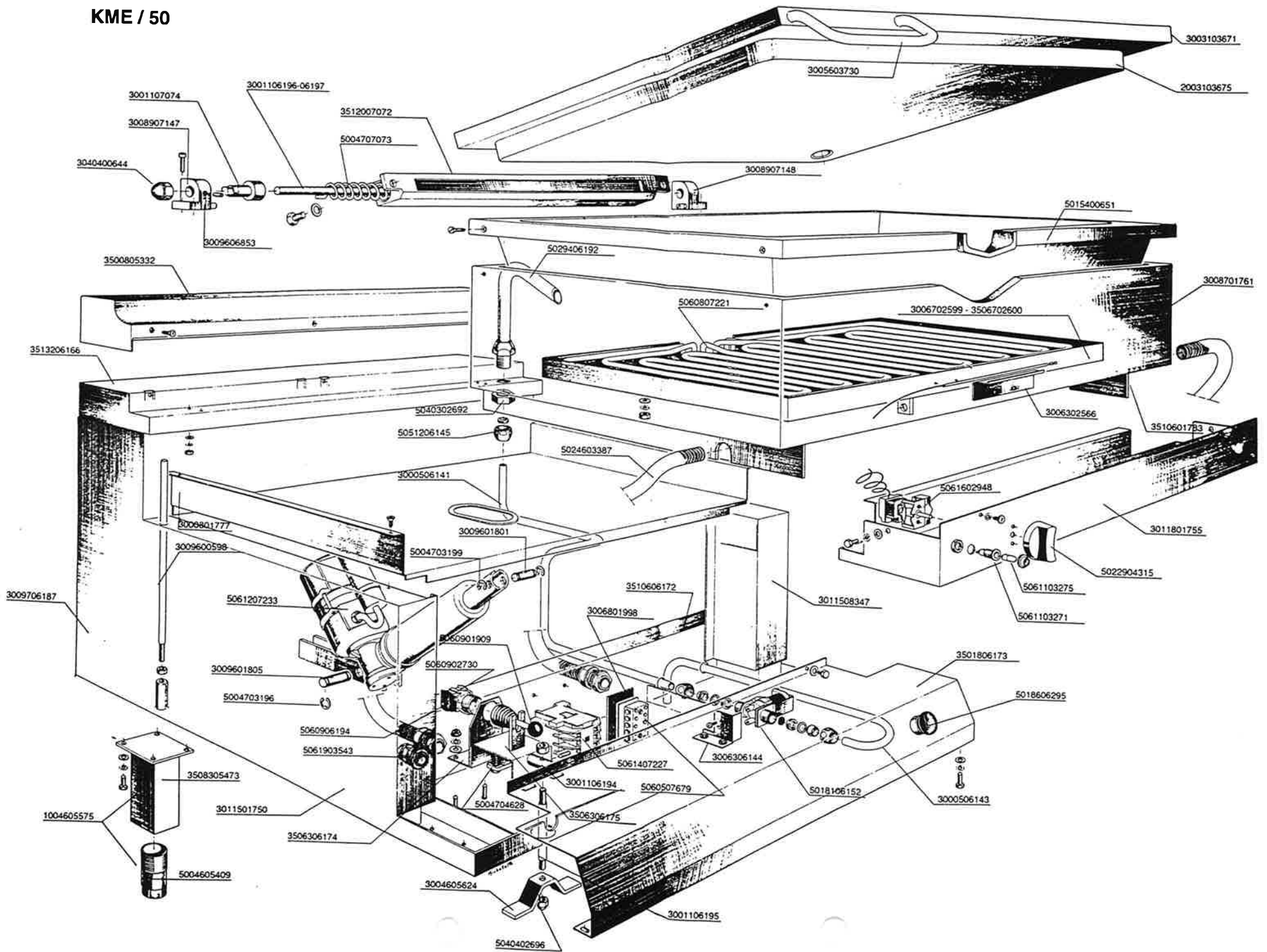


KME / 50



	ERSATZTEILLISTE	LISTA PARTICOLARI	LIST OF PARTS	LIST DES COMPOSANTS	26.07.91	
	0106905912	ELT-KIPPBRATPFANNE	BRASIERA ROV. ELT.	ELEC. TILTING BRAISING PAN	SAUTEUSE BASC.ELEC.	KME/50 PAG. 1
COD.	BESCHREIBUNG	DESCRIZIONE	DESCRIPTION	DESCRIPTION	QUANT.	
1013506522	KABELSATZ	IMPIANTO CAVI ELT.	ELEC. WIRING ASSY.	INSTAL.CABLES ELEC.	KME/50	1
2003103675	GEGENDECKEL	CONTROCOPERCHIO	COUNTER-COVER	COUVERC.INTERNE	KB/50	1
3000501657	ROHR FÜHLER	TUBO PORTABULBO	PROBE-HOLDER TUBE	TUYAU PORTE SONDE	KHE/90	1
3000506141	ROHR WASSEREINL.	TUBO ACQUA	WATER PIPE	TUYAU EAU	KB/50	1
3000506143	ROHR WASSERANSCHL.	TUBO ATTACCO ACQUA	WATER CONNECT.PIPE	TUYAU ARRIVEE EAU	KB/50	1
3000507079	ROHR DISTANZ DECKEL	TUBO DISTANZ.COPER.	COVER SPACER TUBE	TUYAU ENTRETOI.COU	KB/50/90	1
3000801773	ABDECKUNG WANNE U.	COPERTURA VASCA INF.	COVER BOTTOM PAN	COUVERTURE CUVE INF.	KB/50	1
3000801777	ABDECKUNG MOTOR O.	CRUSCOTTO MOTORE	MOTOR PANEL	TABLEAU MOTEUR	KB/50	1
3000804292	ABDECKUNG SEITE L.	CRUSCOTTO LATER.S.	PANEL LH SIDE	TABLEAU COTE GAUCH.	G/85	1
3000808271	ABDECKUNG SEITE R.	CRUSCOTTO LATER.D.	PANEL RH SIDE	TABLEAU COTE DROIT	G/85	1
3001101792	WELLE KIPPUNG	ASSE RIBALTAMENTO	SHAFT TILTING	AXE BASCULEMENT	KME/50	1
3001106194	WELLE PEDAL	ASSE PEDALE	PEDAL SHAFT	AXE PEDALE	KB/50	1
3001106195	HALTER PEDAL	SUPPORTO PEDALE	PEDAL SUPPORT	SUPPORT PEDALE	KB/50	1
3001106196	WELLE FEDER L.	ASSE MOLLA SINISTR.	SHAFT LH SPRING	AXE RESSORT GAUCHE	KB/50/90	1
3001106197	WELLE FEDER R.	ASSE MOLLA DESTRA	SHAFT RH SPRING	AXE RESSORT DROIT	KB/50/90	1
3001107074	WELLE DECKELHUB	ASSE ALZACOPERCHIO	SHAFT COVER LIFT	AXE LEVE COUVERCLE	KB/50/90	1
3001601751	BODEN	FONDO	BOTTOM	FOND	KB/50	1
3001801758	BLENDE ANSCHLUSS	PANNELLO ALLACCIAM.	CONNECTION PANEL	PANNEAU BRANCHEMEN.	KB/50	1
3003000633	DISTANZSTÜCK WANNE	DISTANZIALE PADELL.	PAN SPACER	ENTRETOISE POELE	KB/50I	3
3003006177	DISTANZSTÜCK TP.H.	DISTANZIALE PIANO	HOB SPACER	ENTRETOISE PLAN	KB/50	1
3003103671	DECKEL DOPPELWAND.	COPERCHIO DOPPIO	DOUBLE COVER	COUVERCLE DOUBLE	KB/50	1
3004605432	FUSS VIERKANTRHR	PIEDINO ESTERNO	FOOT EXTERNAL	PIED EXTERNE	G/85	4
3004605624	PEDAL	PEDALE	PEDAL	PEDALE	KB/50	1
3005603730	GRIFF DECKEL	MANIGLIA COPERCH.	COVER HANDLE	POIGNEE COUVERCL.	KB/50-KBH/70	1
3006301615	HALTER ENDSCHALTER	SUPPORTO FINECORSA	LIMIT SWITCH SUPT.	SUPPORT FIN COURSE	KME/50	1
3006301658	HALTER ROHR FÜHLER	SUPPORTO TUBO BULBO	PROBE TUBE SUPPORT	SUPPORT TUYAU SONDE	KHE/90	1
3006301774	HALTER ISOL.VORNE	SUPPORTO ISOL.ANT.	INSUL. SUPT. FRONT	SUPPORT ISOL.AVANT	KME/50	1
3006301797	HALTER SICH.THERM.	SUPPORTO TERM.SIC.	SFTY THERM. SUPT.	SUPPORT THERM.SEC.	KME/KBH	1
3006302566	HALTER FÜHLER	SUPPORTO BULBO	PROBE SUPPORT	SUPPORT SONDE	EBP/35/70	1
3006306144	HALTER ELT.VENTIL	SUPPORTO EL.VALVOL.	SOL. VALVE SUPPORT	SUPPORT SOUP.ELECT.	KB/50	1
3006701779	ISOLIERBLECH WANNE	LAMIERA ISOLANTE FONDO VASCA	PAN BOTTOM INSUL. PLATE	TOLE ISOLANTE FOND CUVE	KME/50	1
3006702599	ISOLIERBLECH A.	LAMIERA ISOLANTE ESTERNA	INSUL. PLATE EXT.	TOLE ISOLANTE EXTERNE	KME/50	1
3006801998	ISOLIERPLATTE KL. 3+4-POLIG	ISOLAZIONE MORSETT.3+4 ATT.	TERMINAL INSULAT. 3+4 ATT.	ISOLATION BORNE 3+4 ATT.		1
3008306171	TRÄGER FÜSSE H.	SUPPORTO PIEDI POST.	SUPPORT REAR FEET	SUPPORT PIEDS ARRIE.	KB/50	1
3008701761	MANTEL WANNE V.	MANTELLA RIVESTIMENTO ANT.	COVER JACKET FRONT	MANTEAU REVETEMENT AVANT	KME/50	1
3008701762	MANTEL WANNE H.	MANTELLA RIVESTIMENTO	COVER JACKET	MANTEAU REVETEMENT	KME/50	1
3008706185	MANTEL WANNE I.	MANTELLA INTERNO	JACKET INTERNAL	MANTEAU INTERNE	KB/50	1
3008907147	LAGER DECKELHUB L.	SUPPORTO CERN.SIN.	HINGE SUPPORT LH	SUPPORT CHARN.GCHE	KB/50/90	1
3008907148	LAGER DECKELHUB R.	SUPPORTO CERN.DES.	HINGE SUPPORT RH	SUPPORT CHARN.DRT.	KB/50/90	1
3009600598	STIFT ANSCHLAG	PERNO BATTUTA	THRUST PIN	PIVOT BUTEE	KB/50	2
3009601616	STIFT ENDSCHALTER	PERNO FINECORSA	LIMIT SWITCH PIN	PIVOT FIN COURSE	KME/50	1
3009601801	STIFT MOTOR O.	PERNO MOTORE SUPERIORE	MOTOR PIN TOP	PIVOT MOTEUR SUPERIEUR	KB/50	1
3009601805	STIFT MOTOR U.	PERNO MOTORE INFERIORE	MOTOR PIN BOTTOM	PIVOT MOTEUR INFERIEUR	KB/50	1

COD.	BESCHREIBUNG	DESCRIZIONE	DESCRIPTION	DESCRIPTION	QUANT.
0106905912	ELT-KIPPBRATPFANNE	BRASIERA 7. ELT.	ELEC. TILTING BRAISING PAN	SAUTEUSE BASC.ELEC.	KME/50 PAG. 2
3009606853	STIFT ANSCHLAG DECK.	PERNO BATTUTA COP.	COVER THRUST PIN	PIVOT BUTEE COUVER.	KB/50/90 2
3009706187	RÜCKWAND KOLONNE	SCHIENA COLONNA	COLUMN BACK	DOS COLONNE	KME/50 1
3011501750	SEITENWAND LINKS	FIANCO SINISTRO	SIDE LH	COTE GAUCHE	KB/50 1
3011508347	SEITENWAND RECHTS	FIANCO DESTRO	SIDE RH	COTE DROIT	KB/50 1
3011801755	SCHALTBLLENDE	PANNELLO COMANDO ELT.	ELEC. CONTROL PANEL	PANNEAU COMMANDE ELECT.	KME/50 1
3026601742	PROFIL BODEN FE	LISTELLO FONDO FE	BOTTOM STRIP FE	LISTEL FOND FE	KME/50-1 2
3031401790	RING DISTANZ	RONDELLA	WASHER	RONDELLE	KB/50 2
3040400644	MUTTER DECKELHUB	DADO COPERCHIO	COVER NUT	ECROU COUVERCLE	KB/50/90 1
3500805332	ABDECKUNG KAMIN N	CRUSCOTTO CAMINO N	FLUE BLANK PANEL	TABLEAU CHEMINEE N	G/80 1
3501806173	BLLENDE UNTEN VORNE	CRUSCOTTO INF. ANT.	PANEL BOTTOM FRONT	TABLEAU INF.AVANT	KB/50 1
3506306174	HALTER SCHALTER	SUPPORTO INTERUTT.	SWITCH SUPPORT	SUPPORT INTERRUPT.	KB/50 1
3506306175	HALTER PEDAL	SUPPORTO PEDALE	PEDAL SUPPORT	SUPPORT PEDALE	KB/50 1
3506702600	ISOLIERBLECH I.	LAMIERA ISOLANTE INTERNA	INSUL. PLATE INTER.	TOLE ISOLANTE INTERNE	KME/50 1
3506706182	ISOLIERBLECH V.	LAMIERA ISOL.ANT.	INSUL. PLATE FRONT	TOLE ISOL.AVANT	KB/50 1
3508305473	TRÄGER FUSS	SUPPORTO PIEDE	FOOT SUPPORT	SUPPORT PIED	G/85 4
3509706168	RÜCKWAND AUSSEN	SCHIENA	BACK	DOS	KB/50 1
3510601783	RAHMEN WANNE	TELAIO VASCA	PAN FRAME	CHASSIS CUVE	KB/50 1
3510606172	RAHMEN FÜSSE	TELAIO PIEDI	FOOT FRAME	CHASSIS PIEDS	KB/50 1
3512007072	SCHARNIER DECKEL	CERNIERA COPERCHIO	COVER HINGE	CHARNIERE COUVERCL.	KB/50/90 1
3513206166	TISCHPLATTE H.	PIANO POSTERIORE	REAR HOB	PLAN ARRIERE	KB/50 1
3514203674	VERSTÄRKUNG DECKEL	RINFORZO COPERCHIO	COVER STIFFENER	RENFORT COUVERCLE	KB/50/90 2
5004605409	FUSS VERSTELLBAR	PIEDINO REGOLABILE	ADJUSTABLE FOOT	PIED REGLABLE	G/85 4
5004703196	SICHERUNGSFEDER	ANELLO D'ARRESTO RADIALE	RADIAL STOP RING D=10	BAGUE D'ARRET RADIALE	D=10 2
5004703199	SICHERUNGSFEDER	ANELLO D'ARRESTO RADIALE	RADIAL STOP RING D=8	BAGUE D'ARRET RADIALE	D=8 2
5004704628	FEDER DECKEL	MOLLA COPERCHIO SAL	SPRING COVER	RESSORT COUVERCLE SAL	SAL 2
5004707073	FEDER DECKELHUB	MOLLA ALZACOPERCHIO	SPRING COVER LIFT	RESSORT LEVE COUVER	KB/50/90 1
5006805627	ISOLIERUNG GLASWOLLE	PANNELLO ISOLANTE 650x530x25	INSULATING PANEL 650x530x25	PANNEAU ISOLANT	650x530 1
5006806310	ISOLIERUNG GLASWOLLE	PANNELLO ISOLANTE 740x240x25	INSULATING PANEL 740x240x25	PANNEAU ISOLANT	740x240 1
5006806313	ISOLIERUNG GLASWOLLE	PANNELLO ISOLANTE 750x150x25	INSULATING PANEL 750x150x25	PANNEAU ISOLANT	750x150 1
5006806317	ISOLIERUNG GLASWOLLE	PANNELLO ISOLANTE 670x150x25	INSULATING PANEL 670x150x25	PANNEAU ISOLANT	670x150 2
5008507230	KUGELLAGER	CUSCINETTO A SFERA 25x52x15	BALL BEARING 25x52x15	ROULEMENT A BILLES	25x52x15 2
5015400651	WANNE BODEN FE	VASCA FONDO FE	BOTTOM TRAY FE	CUVE FOND FE	KB/50lt. 1
5018106152	ELEKTROVENTIL 1/2"	ELETTROVALVOLA 1/2"	SOLENOID VALVE 1/2"	SOUPAPE ELECT. 1/2"	KMG/KME/50 1
5018606295	SCHALTMASTER	PULSANTIERA	SWITCH BOARD	POUSSOIR	KB/50/90 1
5022904315	SCHALTKNOPF	MANOPOLA 50o-300o	KNOB	POIGNEE	50o-300o 1
5024603387	PLASTIKSCHLAUCH SPIRALFLEX	TUBO PLASTICA SPIRALFLEX GRIG	PLASTIC HOSE SPIRALFLEX GREY	TUYAU PLASTIQUE SPIRAFLEX G.	1,100
5029406192	WASSEREINLAUF 1/2"	GETTO D'ACQUA 1/2"	WATER JET	JET D'EAU 1/2"	KB/50/90 1
5040302606	MUTTER 6KT M10 INOX 18/8	DADO ES M10 INOX 18/8	NUT HEX M10 STAINLESS STEEL	ECROU ES M10 INOX 18/82	2
5040302692	MUTTER 6KT 1/2" VERZ.FIG.332	DADO ES ZINCATO FIG.312 1/2"	NUT HEX.GALVAN. FIG.312 1/2"	ECROU ES ZINGUE FIG.312 1/2"	1
5040302708	MUTTER 6KT M8 FE VERZINKT	DADO FE ZINCATO M8	NUT GALVAN. FE M8	ECROU FE ZINGUE M8	2
5040402696	HUTMUTTER 6KT M8 INOX A2 18/8	DADO CIECO ES.A CALOTTA SFER.	CAP NUT HEX. WITH ROUND HEAD	ECROU BORGNE ES.A CALOTTE S.	1
5051206145	KONUS-QUETSCHVERSCHR.1/2x12	DADO ADATTATORE DI PRESSIONE	PRESSURE ADAPTOR NUT	ECROU ADAPTATEUR DE PRES.	3
5060507679	ANSCHLUSSKLEMME 5-POLIG	MORSETTIERA 8016 V/5 DS KR	TERMINAL 8016 V/5 DS KR	BORNE 8016 V/5 DS KR	1

	ERSATZTEILLISTE	LISTA ARTICOLARI	LIST OF PARTS	LIST DES COMPOSANTS	26.07.91	
	0106905912	ELT-KIPPBRATPFANNE	BRASIERA ROV. ELT.	ELEC. TILTING BRAISING PAN	SAUTEUSE BASC.ELEC.	KME/50 PAG. 3
COD.	BESCHREIBUNG	DESCRIZIONE	DESCRIPTION	DESCRIPTION	QUANT.	
5060807221	HEIZKÖRPER 9000W	RESISTENZA 9000W	HEAT.ELEM. 9000W	RESISTANCE 9000W	KME/50	1
5060901909	SCHALTER BRETER	INTERRUTTORE BRETER	SWITCH BRETER	INTERRUPTEUR BRETER	KB/50	1
5060902730	KONTAKTE 300V V50	CONTATTI 300V V50	CONTACTS 300V V50	CONTACTS 300V V50	KB/50	2
5060906194	SCHALKONTAKT	CONTATTO CEMA	CONTACT CEMA	CONTACT CEMA	KB/50	1
5060907229	KLEIN-GRENZTASTER	FINECORSO CON ROTELLA	LIMIT SWITCH WITH WHEEL	FIN COURSE AVEC GALET	AT-11-1-iAR	1
5061103271	SIGNALLEUCHE TYP	LAMPE TEMOIN	LAMP TEMOIN TYPE	LAMPE TEMOIN TYP	VOY SI16A	1
5061103275	GLIMMLAMPE NEON	LAMPADA SPIA NEON	INDIC. LIGHT NEON	LAMPE TEMOIN NEON	BA 9S 380V	1
5061207233	SPINDELMOTOR TYPE	MOTORE WSP 2650/6	MOTOR WSP 2650/6	MOTEUR WSP 2650/6	WSP 2650/6	1
5061407227	SCHÜTZ	CONTATTORE C4 380V	CONTACTOR C4 380V	CONTACTEUR C4 380V	C4 380V	1
5061602948	THERMOSTAT+SCHALT. 50o-300o	TERMOSTATO+INTERRUTT.	THERMOSTAT + SWITCH	THERMOSTAT+INTERRUPT.	50o-300o	1
5061603684	SICHERHEITSTHERMOSTAT	TERMOSTATO LIMITATORE	LIMITER THERMOSTAT	THERMOSTAT LIMITEUR	KB	1
5061807231	GLASSICHERUNG FLINK 5x20F.	FUSIBILE LA 01078-250V	FUSE LA 01078-250V	FUSIBLE LA 01078-250V		1
5061807908	SICHERUNGSHALTER SIEMENS	PORTA FUSIBILE SIEMENS	FUSE-HOLDER SIEMENS	PORTE FUSIBLE SIEMENS		1
5061903322	VERSCHRAUBUNG PG16 ART.106/16	PASSACAVO PVC PG/16 N 106	GROMMET PVC PG/16 N 106	OEILLET PVC PG/16 N 106		1
5061903323	ZUGENTLASTER PG/21 N 106	PASSACAVI PG/21 N/106 BACHEL.	GROMMET PG/21 N/106 BAKELITE	OEILLETS PG/21 N/106 BAKEL.		1
5061903378	KABELDURCHLASS	PASSACAVO PLASTICA D=16 1/2"	GROMMET PLASTIC	OEILLET PLASTIQUE D=16 1/2"	D=16 1/2"	4
5061903543	KABELDURCHLASS HEYCO	BOCCOLA SEMIAPERTA HEYCO	BUSHING SEMI-OPEN HEYCO	COUSSINET SEMI-OUVERT HEYCO	D=22	1
5207400705	HOLZVERSCHLAG	IMBALLO LEGNO	WOODEN CRATE	EMBALLAGE BOIS	S/80	1