

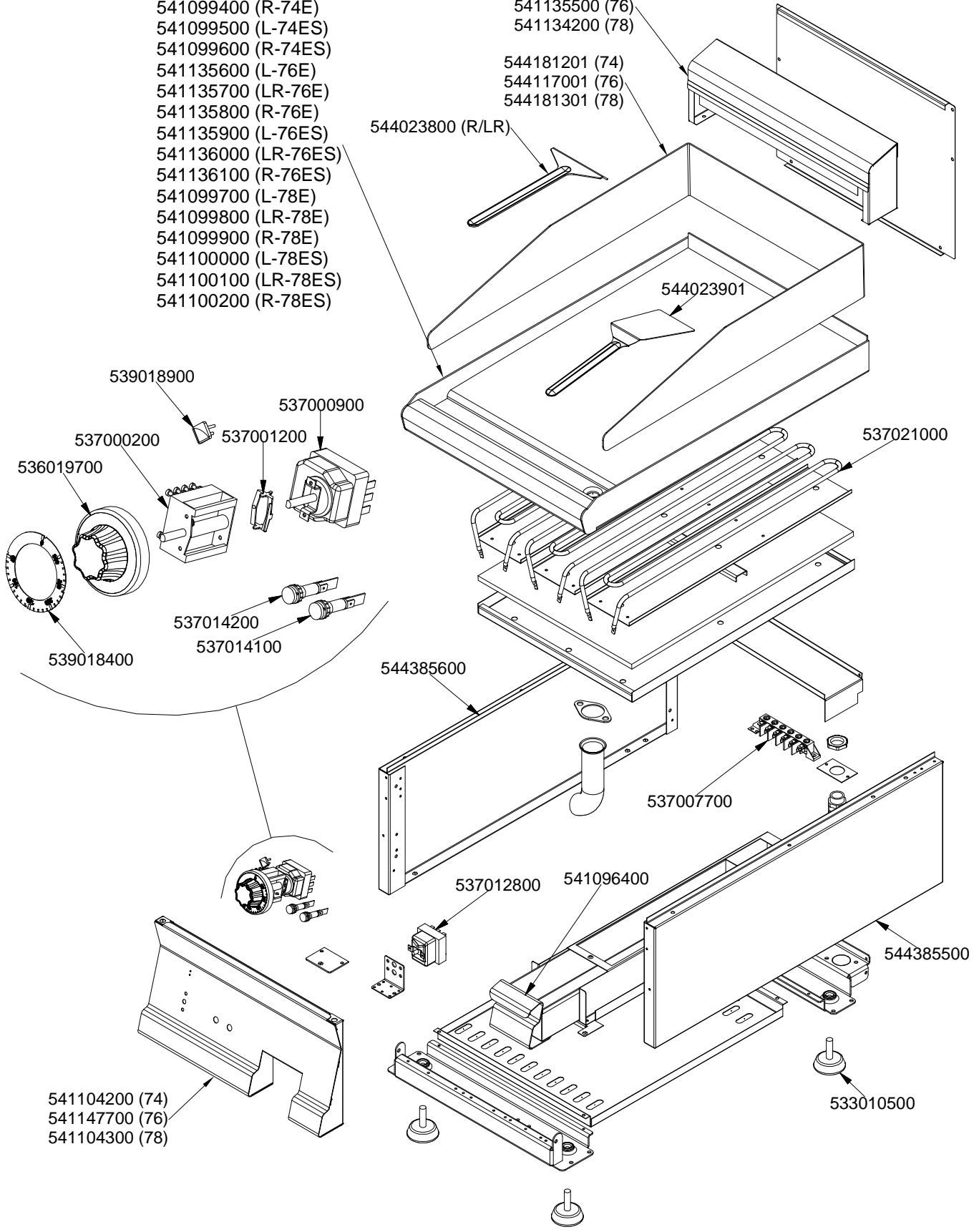
SUPERLOTUS 70 TOP

ELETTRICO / ELECTRIC / ELEKTRO / ELECTRIQUE

FTT...-74ET FTT...-76ET FTT...-78ET

- 541099300 (L-74E)
- 541099400 (R-74E)
- 541099500 (L-74ES)
- 541099600 (R-74ES)
- 541135600 (L-76E)
- 541135700 (LR-76E)
- 541135800 (R-76E)
- 541135900 (L-76ES)
- 541136000 (LR-76ES)
- 541136100 (R-76ES)
- 541099700 (L-78E)
- 541099800 (LR-78E)
- 541099900 (R-78E)
- 541100000 (L-78ES)
- 541100100 (LR-78ES)
- 541100200 (R-78ES)

- 541134000 (74)
- 541135500 (76)
- 541134200 (78)
- 544181201 (74)
- 544117001 (76)
- 544181301 (78)



- 541104200 (74)
- 541147700 (76)
- 541104300 (78)

560040800M00P00

| Page | Pos | Code | Description |
|------|-----|-----------|-------------------------------------|
| 001 | | 541100000 | UPPER PLATE FTL-78ES |
| 001 | | 541134200 | NEUTRAL LOW SPACER 78 |
| 001 | | 544023901 | SPATTLE FOR FRY-TOP |
| 001 | | 537021000 | HEATING ELEMENT 1500W 230V FT S.70 |
| 001 | | 539018900 | INDEX FOR KNOB |
| 001 | | 537000900 | THERMOSTAT 50-320°C THREEPHASE |
| 001 | | 537001200 | FIXING BRACKET FOR THERMOSTAT/COMM. |
| 001 | | 537000200 | COMMUTATOR 1 POS. 3PHASE S.49 16A |
| 001 | | 536019700 | BLACK KNOB §70 PIN §6*5 |
| 001 | | 539018400 | ADHESIVE GRADUATED DISC FOR KNOB |
| 001 | | 537014200 | GREEN WARNING LIGHT 250V |
| 001 | | 537014100 | WHITE WARNING LIGHT 250V |
| 001 | | 544385600 | LEFT SIDE OF 70T LINE |
| 001 | | 537007700 | TERMINAL BLOCK THREEPHASE 40A |
| 001 | | 541096400 | DRIP TRAY FT S.70 |
| 001 | | 537012800 | SAFETY THERMOSTAT 420°C THREEPHASE |
| 001 | | 544385500 | RIGHT SIDE OF 70T LINE |
| 001 | | 533010500 | LEG M10*25 D.40 |
| 001 | | 541104300 | CONTROL PANEL FT-78E |
| 001 | | 544181301 | SPLASH GUARD FT-78 |