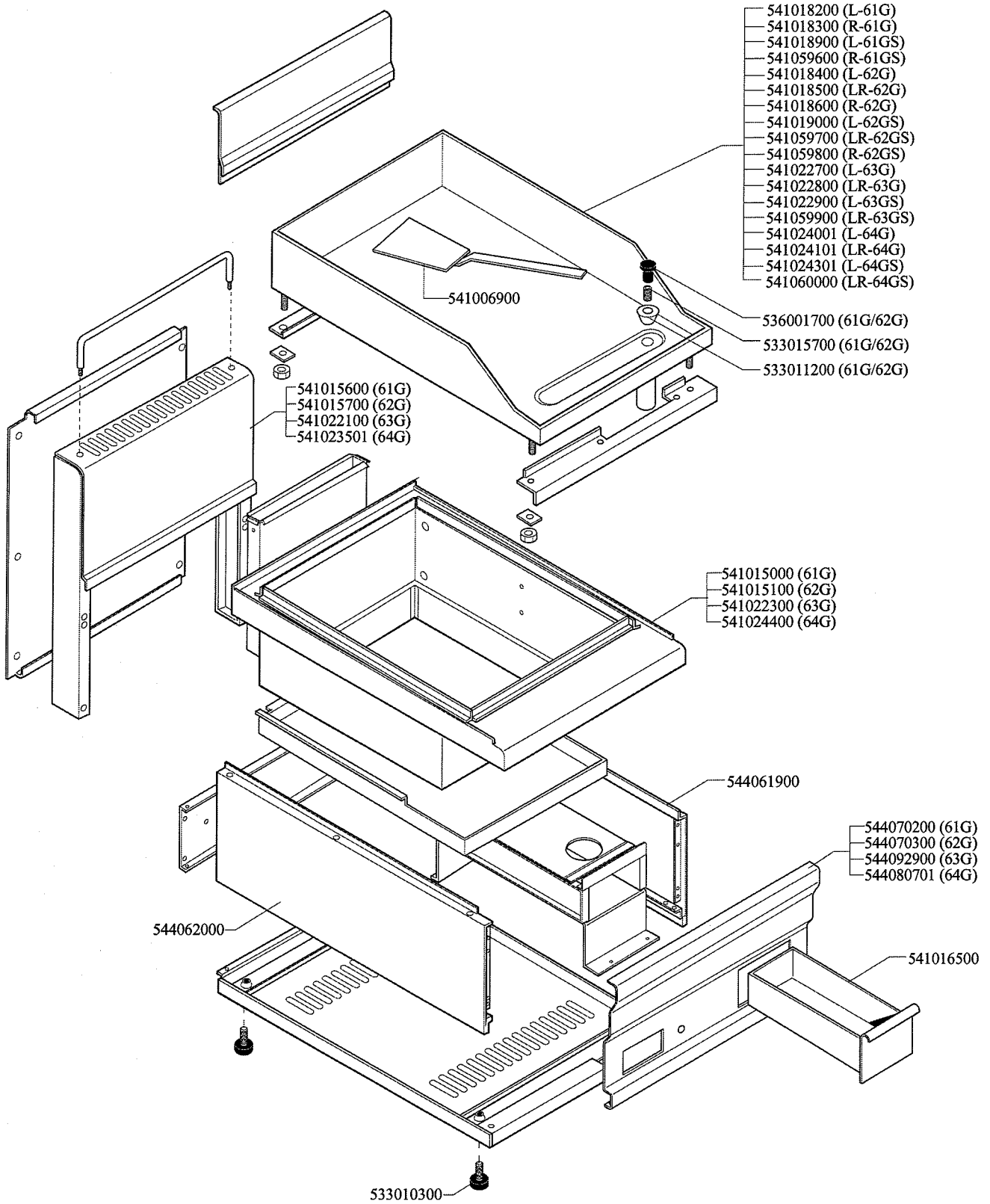
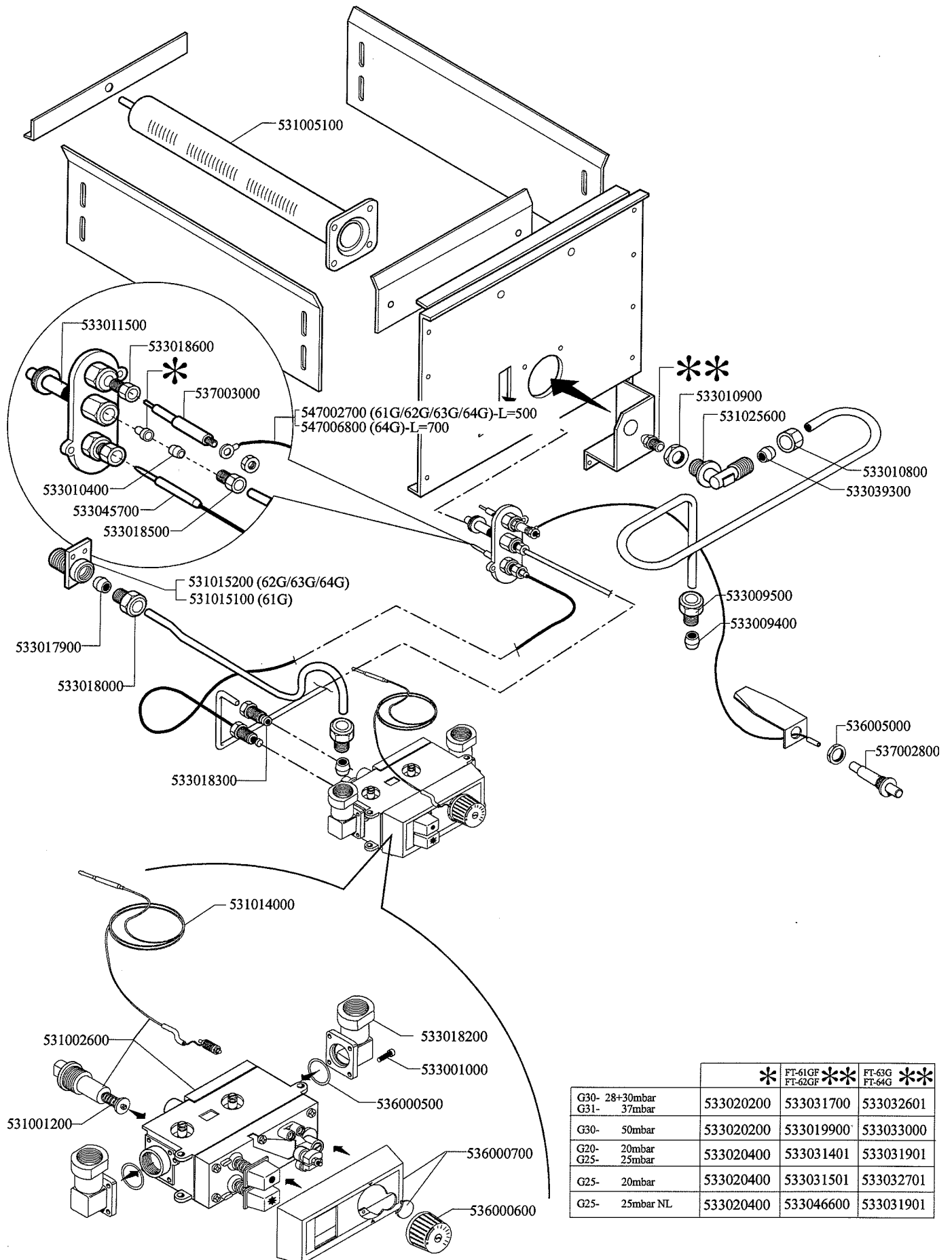


FT...-61G... FT...-62G... FT...-63G... FT...-64G...



FT...-61G... FT...-62G... FT...-63G... FT...-64G...



Page	Pos	Code	Description
001		544062000	LEFT SIDE PANEL 60 LINE
001		533010300	ADJUSTABLE FOOT M10*20 D.23
001		544061900	RIGHT SIDE PANEL 60 LINE
001		541016500	DRIP TRAY FT-61
001		541006900	SPATTLE FT
001		541015600	PERFORATED SPACER 61
001		541015000	UPPER PLATE FT-61G
001		544070200	CONTROL PANEL FT-61G
001		536001700	GRIP D.25*19*M6
001		533015700	HEADLESS SCREW M6*20
001		533011200	SCREW PLUG FOR DRAIN FT-61
001		541018200	SMOOTH PLATE FTL-61G
002		533020200	PILOT JETS 0160 FOR LPG §30
002		533020400	NOZZLE 0160 (NATURAL GAS) 51
002		533031700	NOZZLE §105 CH-12*30 G30 CE GFT6
002		533019900	NOZZLE §90 G-FT3 F-FT-B2
002		533031401	NOZZLE §155 CH12X30 G20 MH-B2/FT
002		533031501	NOZZLE §170 CH12X30,0
002		533046600	NOZZLE §161 G25
002		531005100	BURNER 511/11
002		533011500	PILOT BURNER 2 FLAMES 220
002		533018600	PLUG FITTING
002		537003000	PLUG M4 - LONG ELECTRODE
002		533010400	BICONE D.6
002		533045700	THERMOCOUPLE M9*1 500
002		533018500	FITTING FOR BICONE D.6 M10*1
002		547002700	HIGH-VOLTAGE CABLE L=500
002		531015100	FITTING 1/2"G - 3/8" G
002		533018300	FITTING WITH BICONE 6 M10*1
002		531014000	VALVE CAPILLARY PROBE - FT
002		533017900	BICONE D.12
002		533018000	ELBOW FOR BICONE D.12 3/8 RS L20
002		531002600	MINISIT VALVE FO S/RP
002		531001200	MAGNET AC/2-MINISIT
002		533018200	ELBOW OR GJ 3/8
002		533001000	SCREW TCB C/CC M4X16
002		536000500	O-RING FOR MINISIT FITTING
002		536000700	PLASTIC COVER FOR MINISIT + SCREW
002		536000600	BLACK LHD KNOB OP. FOR MINISIT
002		536005000	NUT M18 FOR PIEZOELECTRIC IGNITION
002		537002800	PIEZOELECTRIC IGNITION M18
002		533009500	NIPPLE FOR BICONE 10S
002		533009400	BICONE 10S
002		533010900	NUT M14*1 H.4
002		531025600	ELBOW 90° NOZZLE-HOLDER §10 PIPE
002		533010800	TUBE NUT D.10 M16*1,5
002		533039300	BICONE §10