

Eclipse 1300, 1600 Service Parts

This part list contains the service parts for the Eclipse 1300 and 1600 systems.

The models that are covered include:

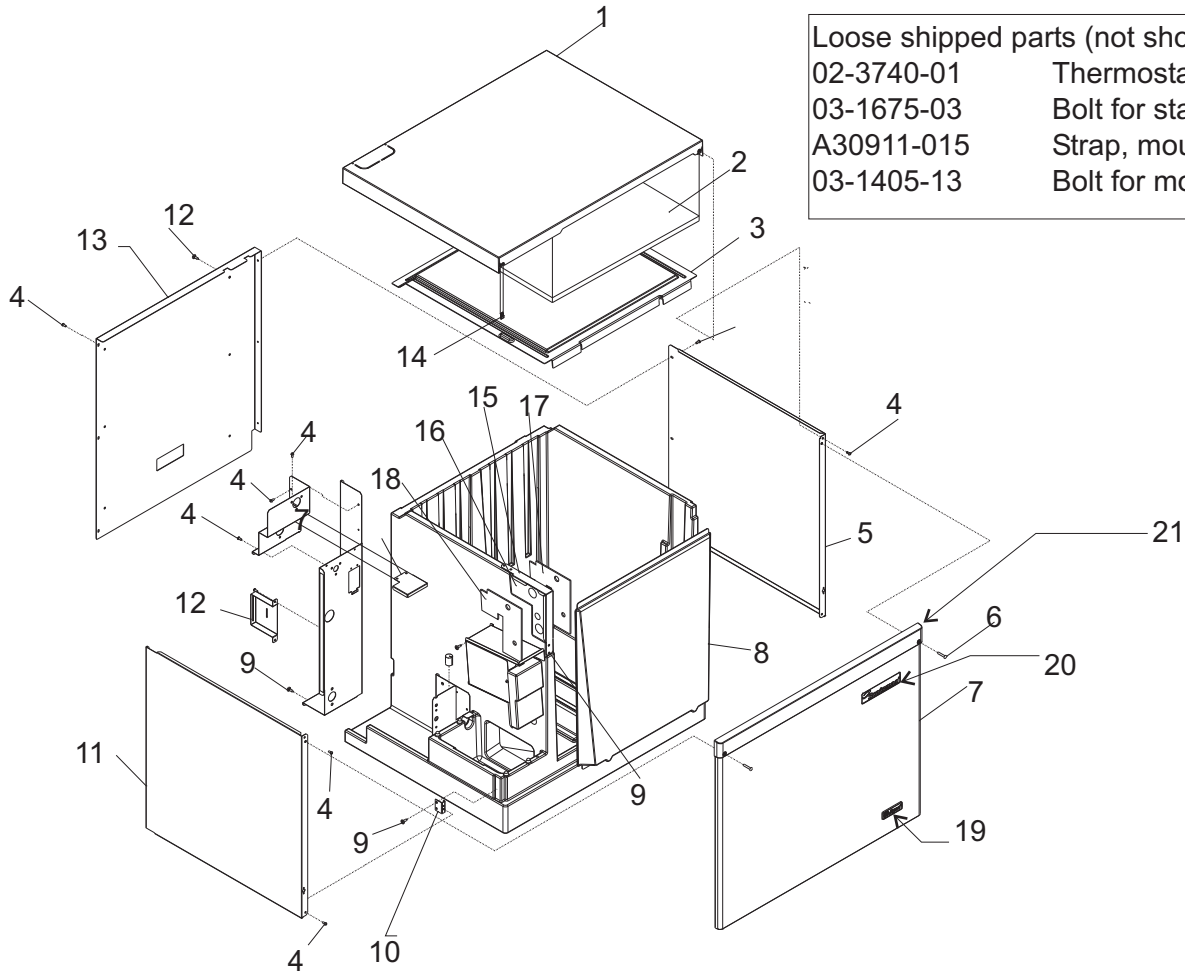
- CME1386
- CME1686
- CP1316
- ERC1086

Table of Contents

CME1386 and CME1686 Cabinet	Page 2
CME1386 and CM1686 Interior Parts	Page 3
CME1386 Refrigeration System	Page 4
CME1686 Refrigeration System	Page 5
CME1386 and CME1686 Electrical	Page 6
CP1316 Cabinet	Page 7
CP1316 Refrigeration Systems	Page 8
CP1316 Control Box	Page 9
Remote Condensers	Page 10
CME1386 or CME1686 Schematic Diagram	Page 11
CME1386 and CME1686 Wiring Diagram	Page 12
CP1316 Single Phase Schematic Diagram	Page 13
CP1316 Single Phase Wiring Diagram	Page 14
CP1316 Three Phase Wiring Diagram	Page 15
CP1316 Three Phase Schematic Diagram	Page 16

Eclipse 1300, 1600 Service Parts

CME1386 and CME1686 Cabinet

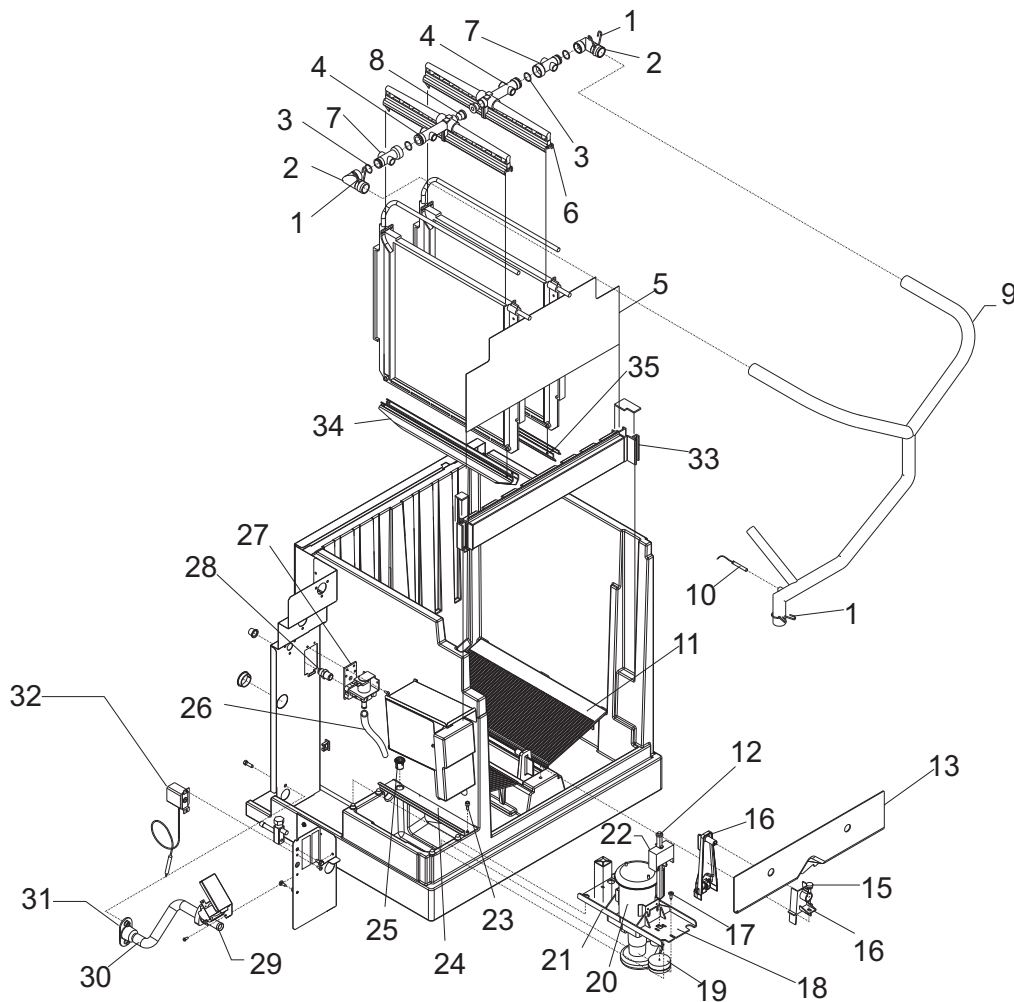


Loose shipped parts (not shown)
 02-3740-01 Thermostat Bracket
 03-1675-03 Bolt for stat bracket
 A30911-015 Strap, mounting
 03-1405-13 Bolt for mounting

Item Number	Part Number	Description	Item Number	Part Number	Description
1	02-4001-21	Top panel	14	03-1423-06	Speed nut
2	02-3783-01	Insulation	15.	A37218-001	Tube cover
3	02-3955-01	Inner top panel	16	02-3696-01	Tube grommet
4	03-1531-01	Screw	17	02-3696-02	Grommet left
5	A38281-021	Right side panel	18	02-3696-03	Grommet right
6	03-1735-01	Panel screw	19	15-0811-01	Eclipse emblem
7	A38373-021	Front panel, includes items 19 and 20	20	15-0808-01	Scotsman emblem
8	02-3702-01	Evaporator cover	21	02-3794-01	Trim strip
	02-3742-01	Insulation for cover	Not Shown, Front Panel Fasteners:		
9	03-1404-18	Screw	22	03-1734-01	Insert
10	A38338-001	Side mounting bracket	23	03-1417-27	Washer
11	A38280-021	Left side panel	24	03-1733-01	Ball stud
12	A38339-001	Slotted panel bracket			
13	A38279-001	Back panel			

Eclipse 1300, 1600 Service Parts

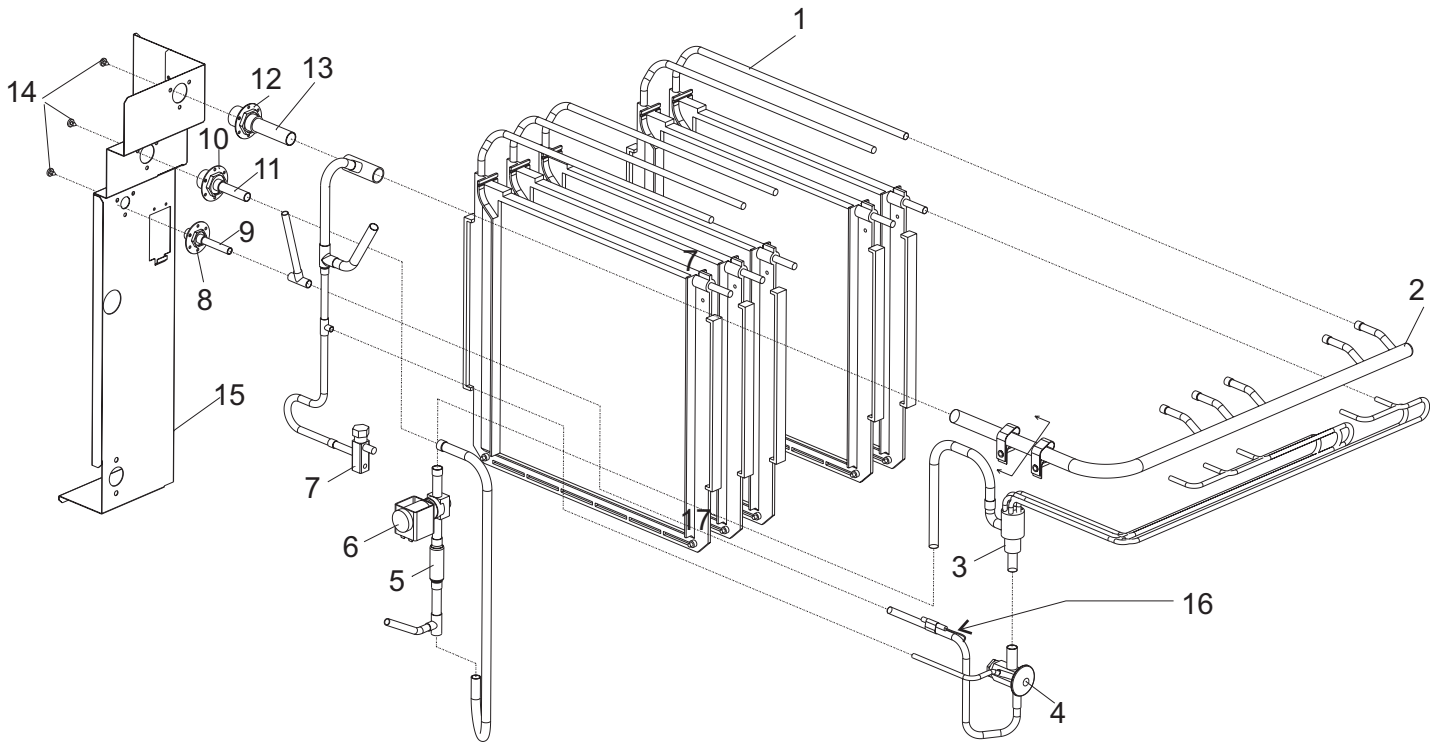
CME1386 and CM1686 Interior Parts



Item Number	Part Number	Description	Item Number	Part Number	Description
1	02-3725-01	Hose clamp	17	03-1404-18	Screw
2	02-3613-01	Elbow - all L & 1686 R	18	02-3388-04	Pump bracket half
	02-3520-01	Elbow - right CME1386	19	02-3341-01	Float
3	13-0617-48	O-ring	20	12-2876-21	Water pump
4	02-3518-01	Water manifold	21	02-3388-05	Pump bracket half
5	02-3706-01	Top front inner panel	22	11-0539-51	Water level sensor
6	02-2527-01	Water distributor	23	03-1691-01	Plastic screw
7	02-3519-01	Manifold fitting	24	02-3960-01	Sump cover
8	13-0840-01	Rubber plug	25	02-3978-01	Hose bushing
9	02-3660-01	Pump hose (1686)	26	13-0674-02	Hose, order 2, use 14 in.
	02-3660-02	Pump hose (1386)	27	12-2666-01	Water inlet sol valve
10	11-0515-21	Temp sensor set	28	16-0355-00	Coupling half
11	02-3337-02	Cube deflector	29	11-0514-02	Purge valve
12	02-3383-07	CME1386 float stick	30	02-3980-01	Hose
	02-3383-08	CME1686 float stick	31	02-3692-21	Drain fitting
13	02-3680-01	Lower front inner panel	32	11-0521-21	Bin thermostat
14	11-0540-21	Ice sensor set	33	A37337-001	Evaporator bracket
15	02-3689-01	Front sensor mount	34	02-3672-02	Left water trough
16	03-0727-09	Mounting screw	35	02-3672-01	Right water trough

Eclipse 1300, 1600 Service Parts

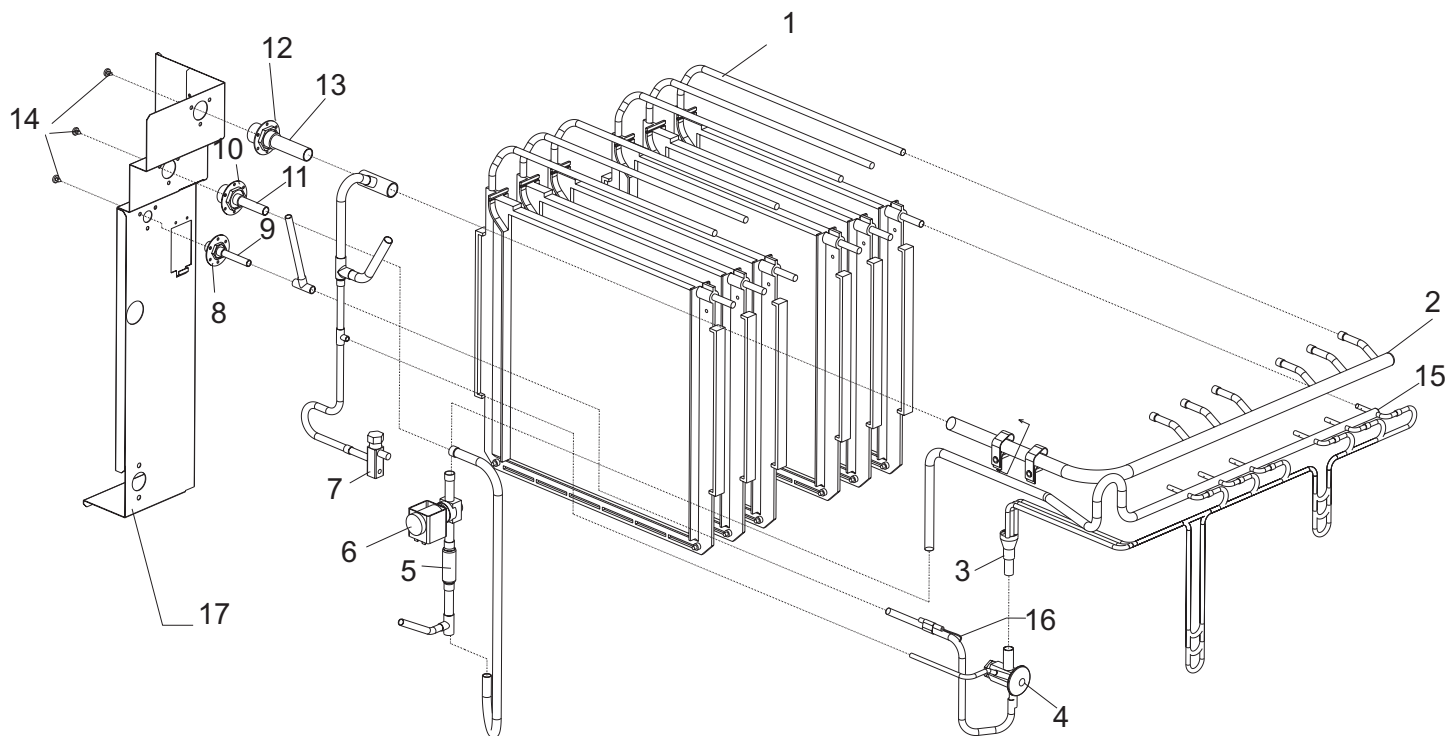
CME1386 Refrigeration System



Item Number	Part Number	Description	Item Number	Part Number	Description
1	A37315-021	Evaporator	8	16-0701-07	Mounting flange
2	16-1102-01	Suction header	9	16-0850-03	Quick connect
3	A38436-021	Distributor assembly	10	16-0701-14	Mounting flange
4	16-1066-21	TXV ANE1 ¼ SZ	11	16-0850-01	Quick connect
	02-3792-01	TXV insulation	12	16-0701-18	Mounting flange
5	16-1063-03	Strainer	13	16-0850-04	Quick connect
6	11-0507-21	Vapor inlet valve	14	03-1405-15	Screw
7	16-0832-20	Low side access valve	15	A38336-001	Bracket
			16	11-0515-21	Temp sensor set

Eclipse 1300, 1600 Service Parts

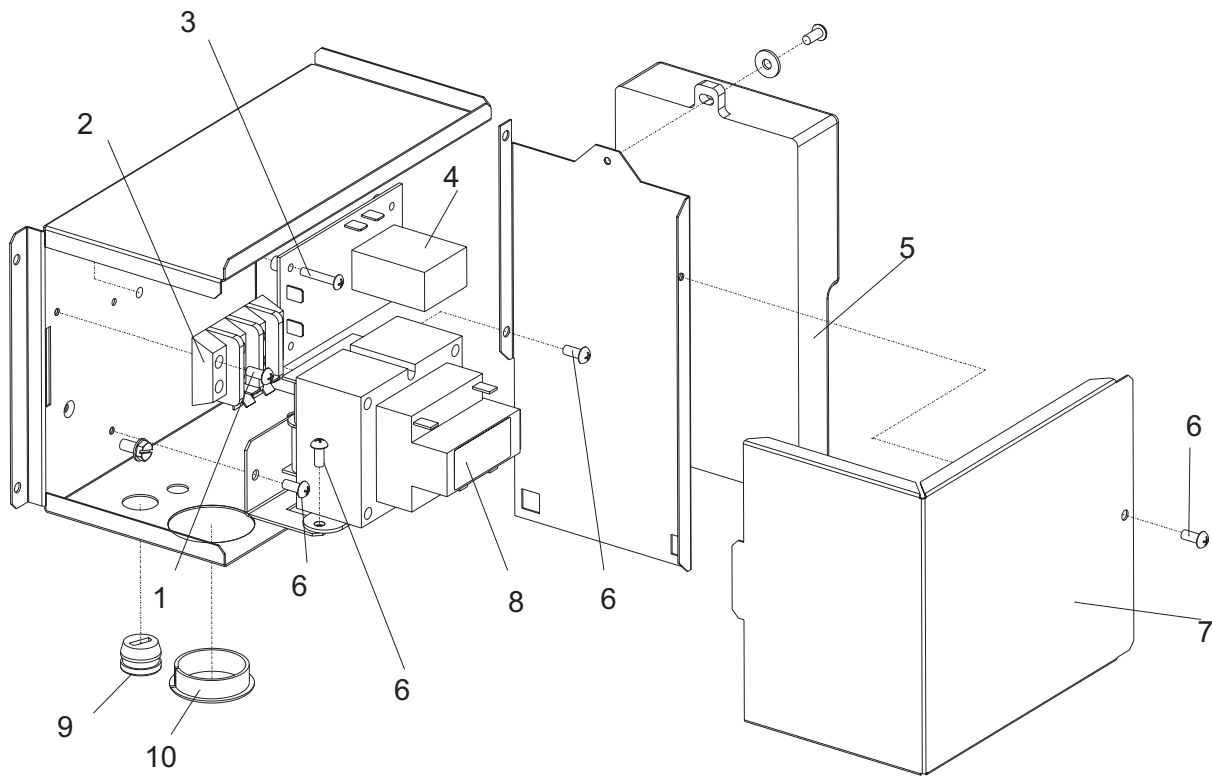
CME1686 Refrigeration System



Item Number	Part Number	Description	Item Number	Part Number	Description
1	A37315-021	Evaporator	8	16-0701-07	Mounting flange
2	16-1102-02	Suction header	9	16-0850-03	Quick connect
3	A38437-021	Distributor assembly	10	16-0701-14	Mounting flange
4	16-1066-21	TXV ANE1 ¼ SZ	11	16-0850-01	Quick connect
	02-3792-01	TXV insulation	12	16-0701-18	Mounting flange
5	16-1063-03	Strainer	13	16-0850-04	Quick connect
6	11-0507-22	Vapor inlet valve	14	03-1405-15	Screw
7	16-0832-20	Low side access valve	15	16-1106-01	Hot gas header
			16	11-0515-21	Temp sensor set
			17	A38336-001	Bracekt

Eclipse 1300, 1600 Service Parts

CME1386 and CME1686 Electrical



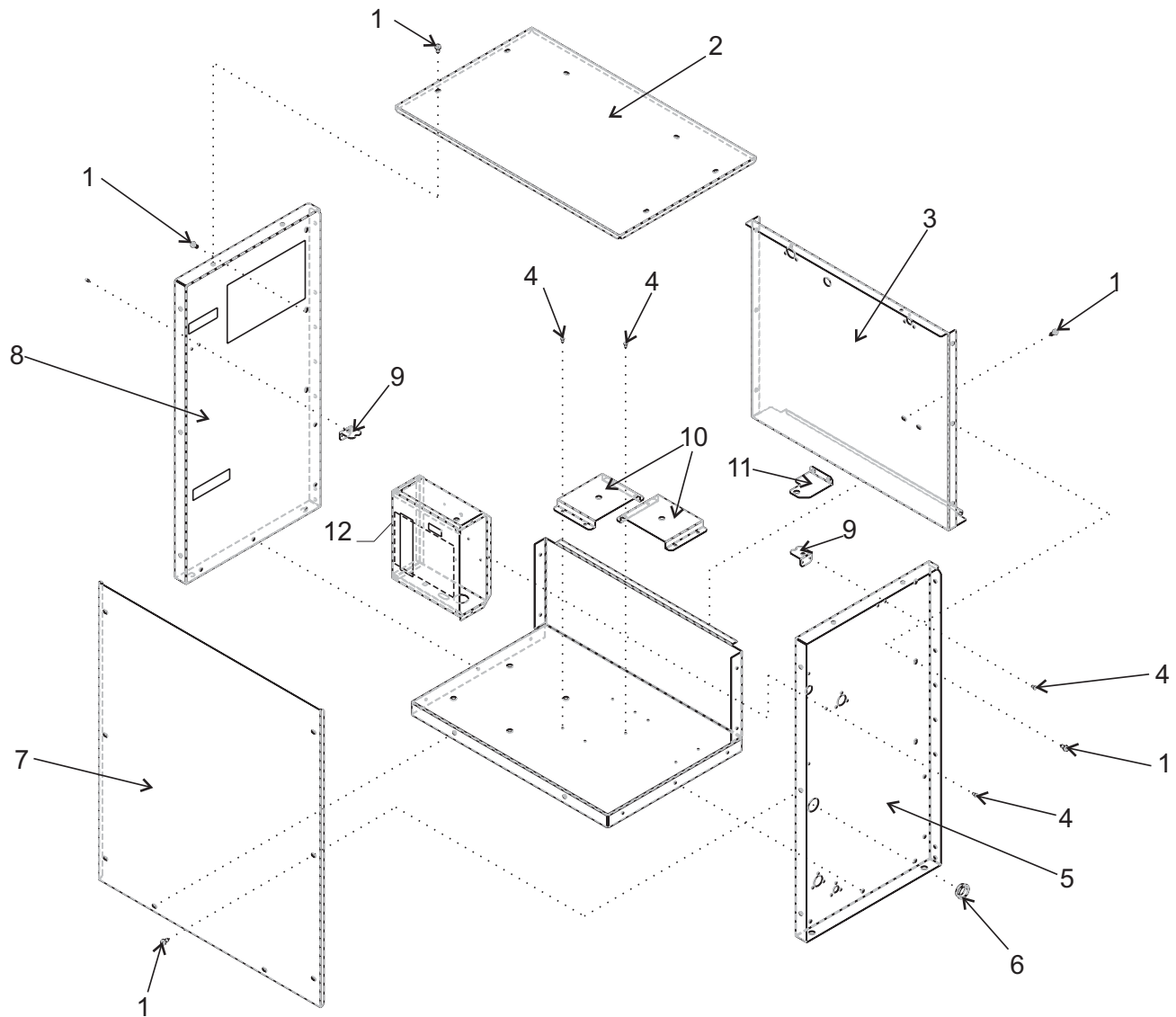
Item Number	Part Number	Description
1	03-1531-08	Screw
2	12-2780-01	Terminal block
3	03-1638-01	Screw
4	11-0531-21	Purge valve timer
5	12-2838-23	Controller
6	03-1531-01	Screw
7	A38284-001	Control box cover
8	12-2860-01	Transformer
9	12-0629-08	Snap bushing
10	12-1213-13	Snap bushing

Not illustrated:

11	12-1638-20	Power cord
12	12-2878-01	Hi voltage harness
13	12-2877-01	Lo voltage harness

Eclipse 1300, 1600 Service Parts

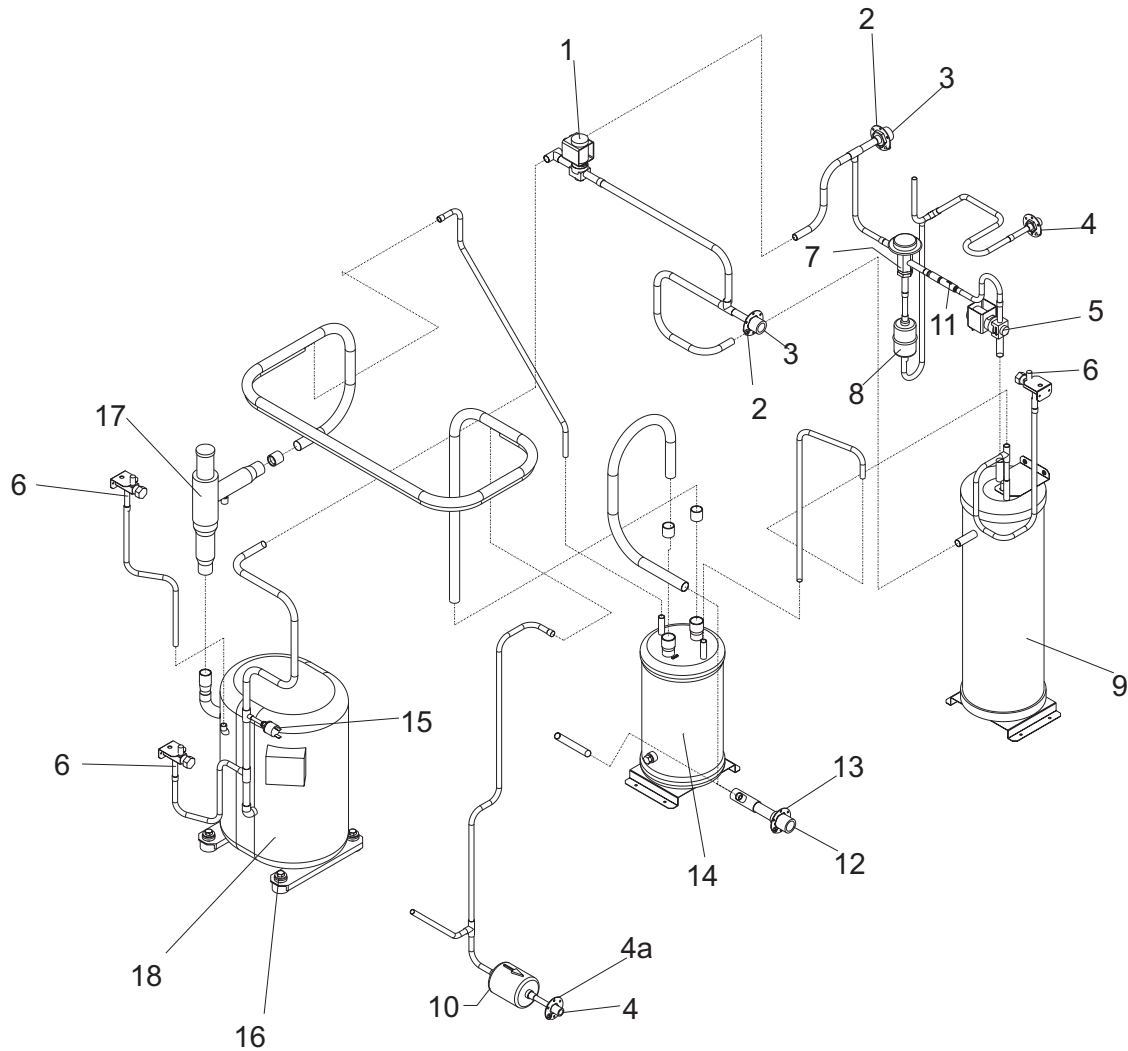
CP1316 Cabinet



Item Number	Part Number	Description	Item Number	Part Number	Description
1	03-1645-01	Screw	10	A37948-001	Receiver or accumulator bracket
2	A37853-001	Top cover	11	A37949-001	Receiver top bracket
3	A37845-001	Back panel	12	A38430-001	Control box cover
4	03-1531-01	Screw			
5	A37829-001	Right side panel			
6	12-1213-20	Snap bushing			
7	A37896-001	Front cover			
8	A37829-002	Left side panel			
9	A37962-001	Service valve bracket			

Eclipse 1300, 1600 Service Parts

CP1316 Refrigeration Systems



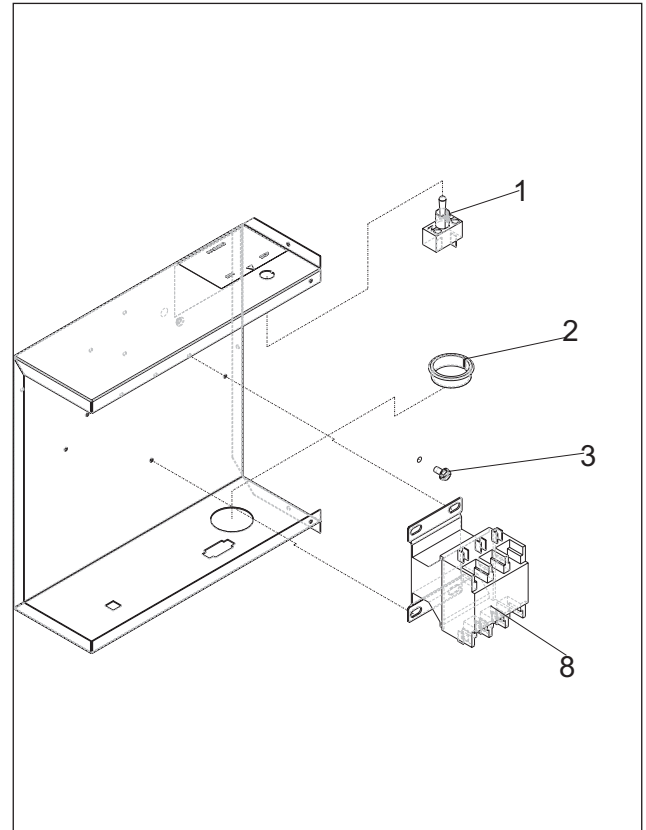
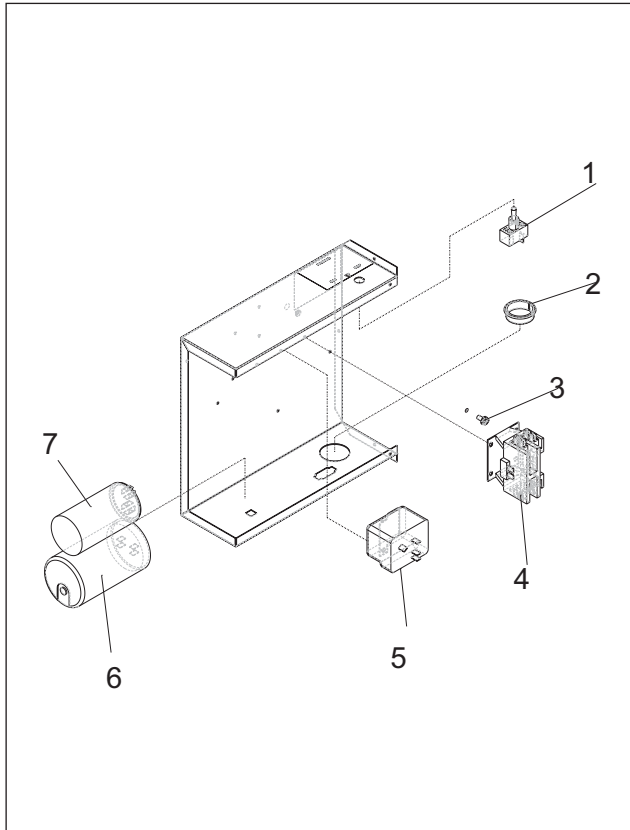
Item Number	Part Number	Description	Part Number	Description
1	11-0507-23	By pass valve	13	16-0701-18 Mounting flange
2	16-0701-14	Mounting flange	14	16-1109-01 Accumulator
3	16-0850-01	Discharge quick connect	15	11-0501-22 Hi pressure cut out
4	16-0850-03	Liquid quick connect	16	18-2300-27 Mounting grommet
4a	16-0701-07	Mounting flange		18-2300-26 Sleeve
5	11-0546-21	Liquid inlet valve		03-1406-07 Washer
6	16-0832-20	Access valve		03-1404-15 Cap screw
7	16-1044-01	Headmaster	17	16-1096-01 CPR valve
8	02-3231-02	Filter	18	Compressors
9	16-1085-01	Receiver		
10	02-3319-02	Filter drier		
11	16-1029-01	Check valve		
12	16-0850-04	Suction quick connect		

CP1316-32	single phase	18-8751-23
CP1316-2	three phase	18-8751-25

All compressors are 208-230 volt, 60 Hz.
 Single phase compressors include starting components. All include a drier and crankcase heaters.

Eclipse 1300, 1600 Service Parts

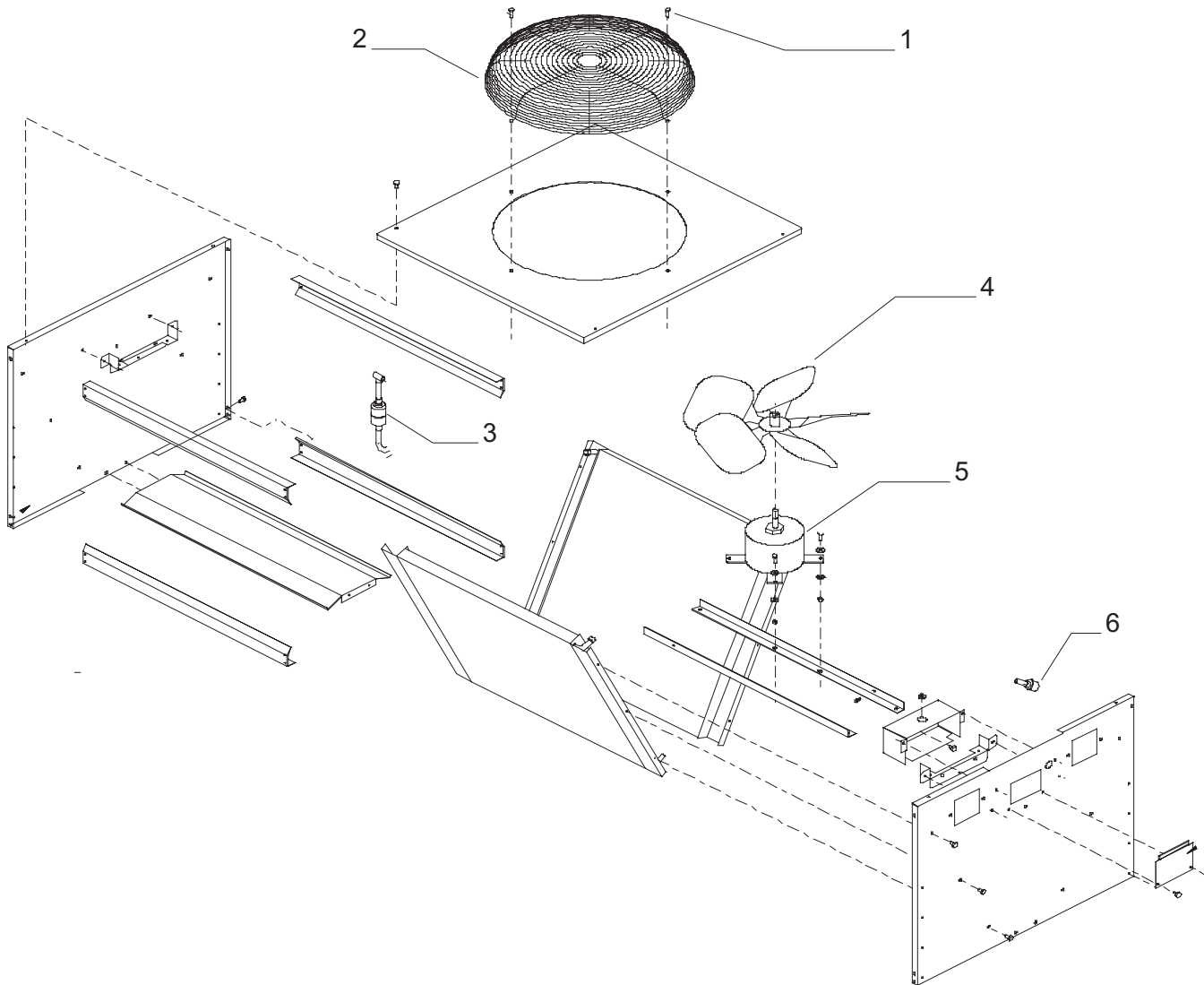
CP1316 Control Box



Item Number	Part Number	Description
1	12-0426-01	Toggle switch
2	12-1213-20	Snap bushing
3	03-1531-01	Mounting screw
4	12-2469-01	Single phase contactor
5	18-1903-46	Potential relay
6	18-1901-27	Start capacitor
7	18-1902-56	Run capacitor
8	12-2533-01	Three phase Contactor

Eclipse 1300, 1600 Service Parts

Remote Condensers



Model ERC1086

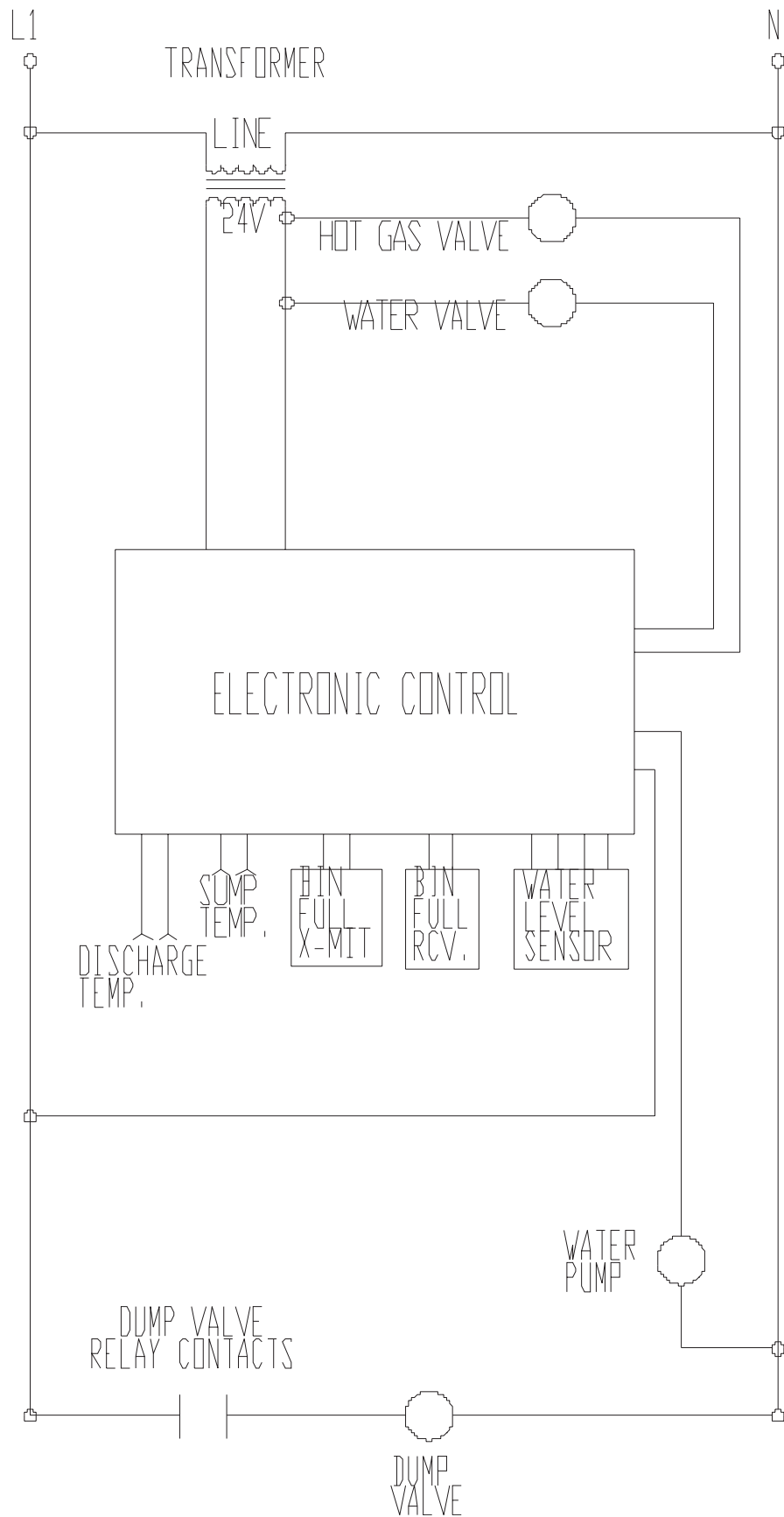
Item Number	Part Number	Description
1	03-1405-08	Screw
2	02-3575-01	Fan guard
3	02-3231-03	Filter
4	18-8816-01	Fan blade
5	12-2651-01	Fan motor
6	16-1057-04	Quick connect, discharge
	16-1057-03	Quick connect, liquid

Not Shown:

A37169-001	Leg
A37170-001	Leg brace
03-1645-01	Screw for legs

Eclipse 1300, 1600 Service Parts

CME1386 or CME1686 Schematic Diagram

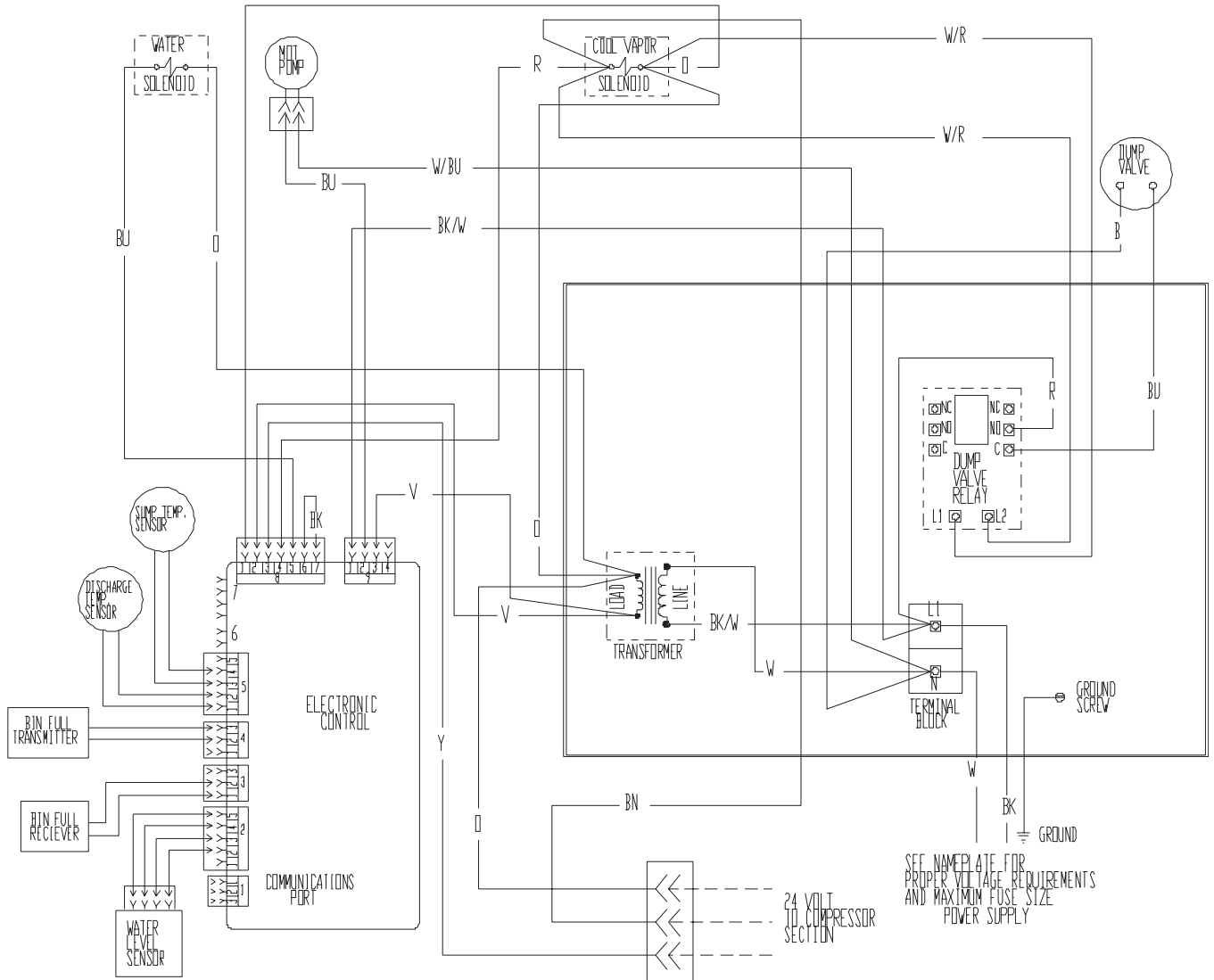


Eclipse 1300, 1600 Service Parts

CME1386 and CME1686 Wiring Diagram

17-2890-01

USE COPPER CONDUCTORS ONLY



CAUTION:

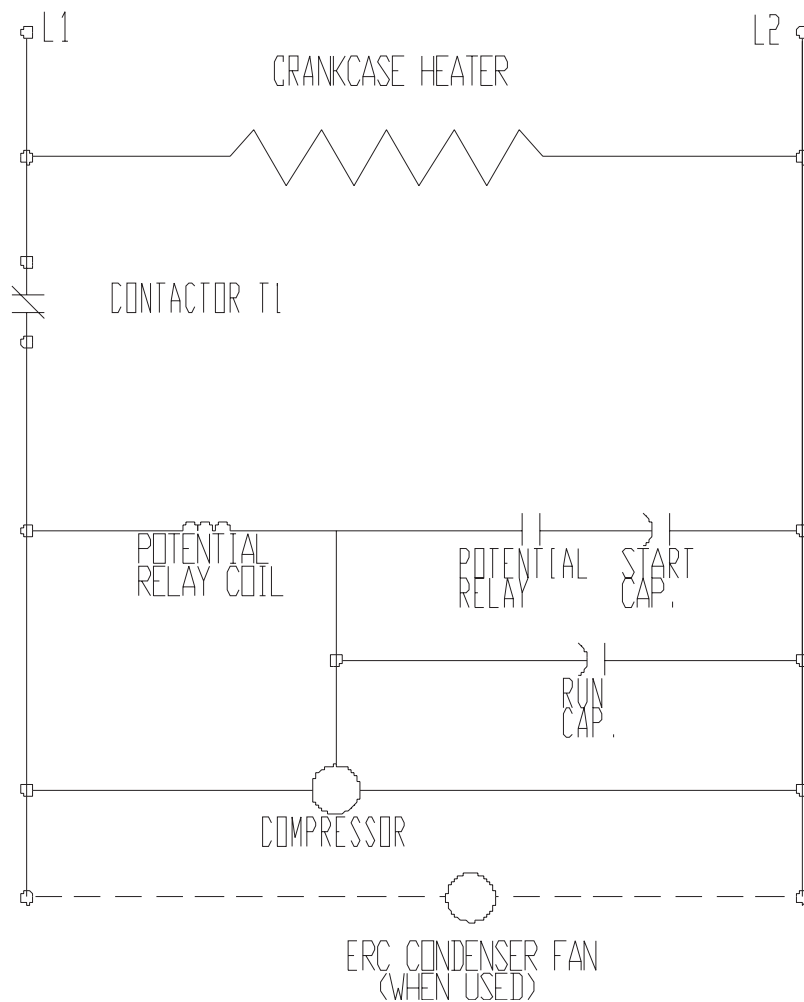
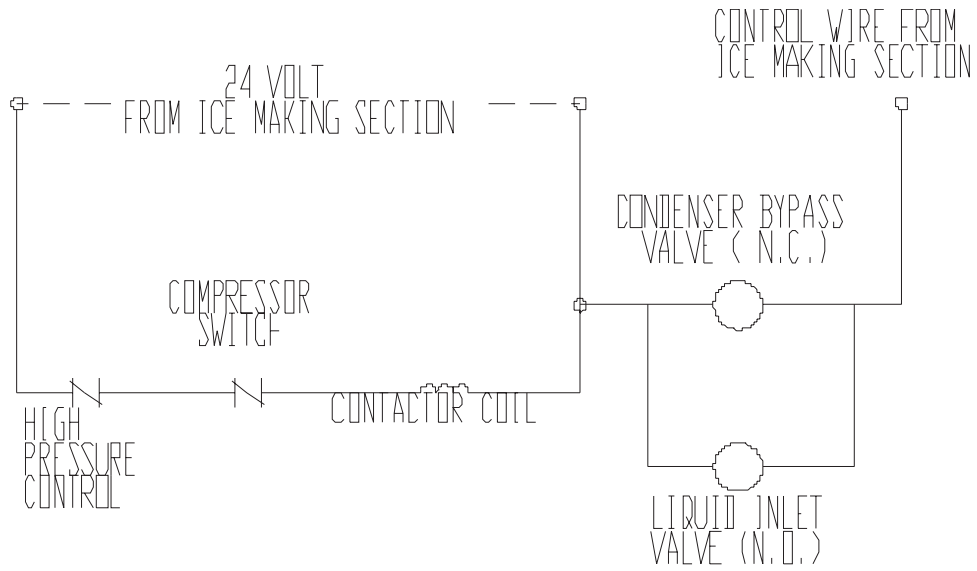
MORE THAN ONE DISCONNECT MEANS MAY BE REQUIRED TO DISCONNECT ALL POWER TO THIS UNIT.

THIS UNIT MUST BE GROUNDED.

⚠ DASHED LINES INDICATE FIELD WIRING WHICH MUST BE INSTALLED IN ACCORDANCE WITH THE NATIONAL ELECTRICAL CODE AND ALL STATE AND LOCAL CODES.

Eclipse 1300, 1600 Service Parts

CP1316 Single Phase Schematic Diagram

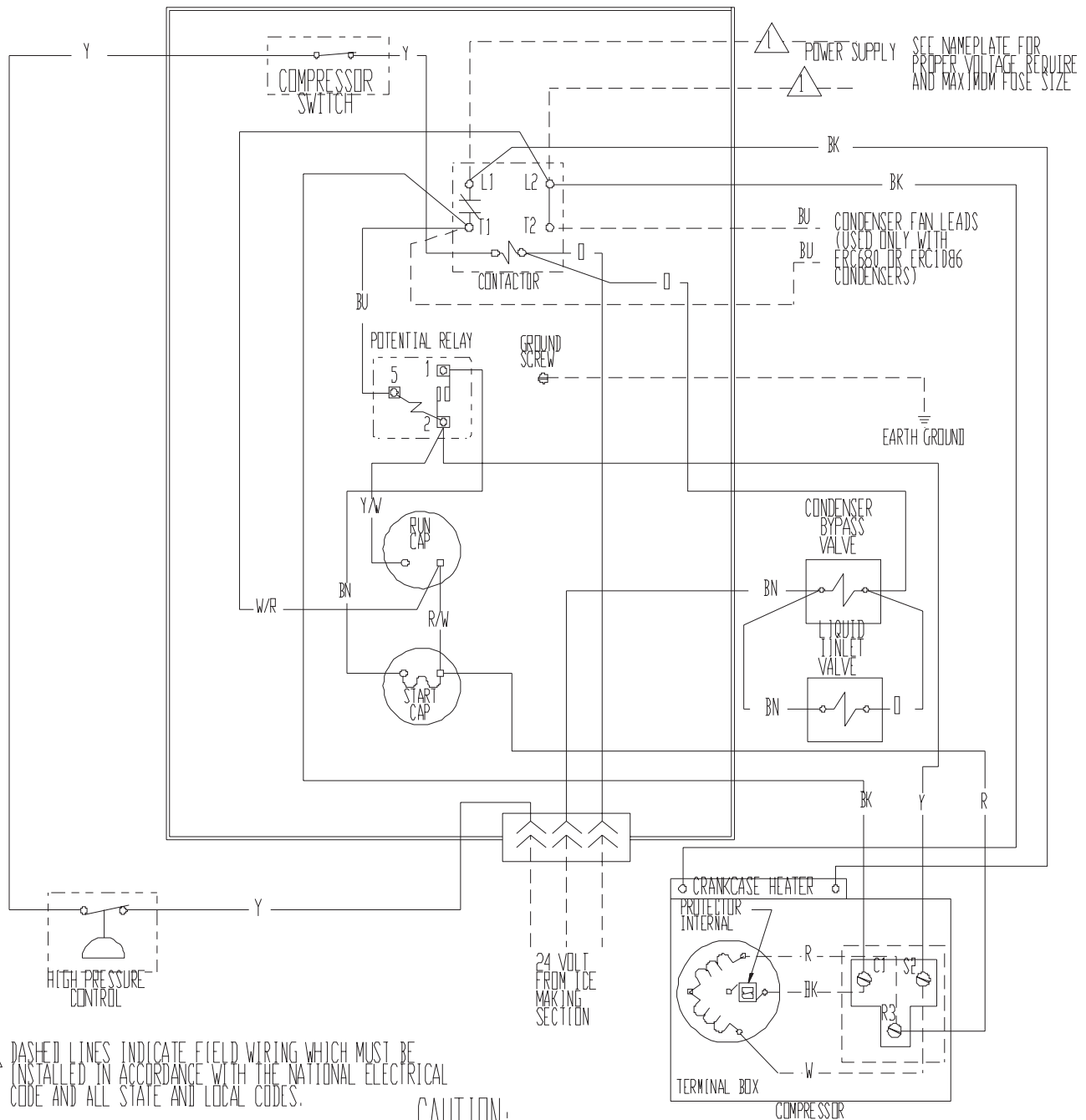


Eclipse 1300, 1600 Service Parts

CP1316 Single Phase Wiring Diagram

17-2877-01

USE COPPER CONDUCTORS ONLY



⚠ DASHED LINES INDICATE FIELD WIRING WHICH MUST BE INSTALLED IN ACCORDANCE WITH THE NATIONAL ELECTRICAL CODE AND ALL STATE AND LOCAL CODES.

CAUTION:

MORE THAN ONE DISCONNECT MEANS MAY BE REQUIRED TO DISCONNECT ALL POWER TO THIS UNIT.

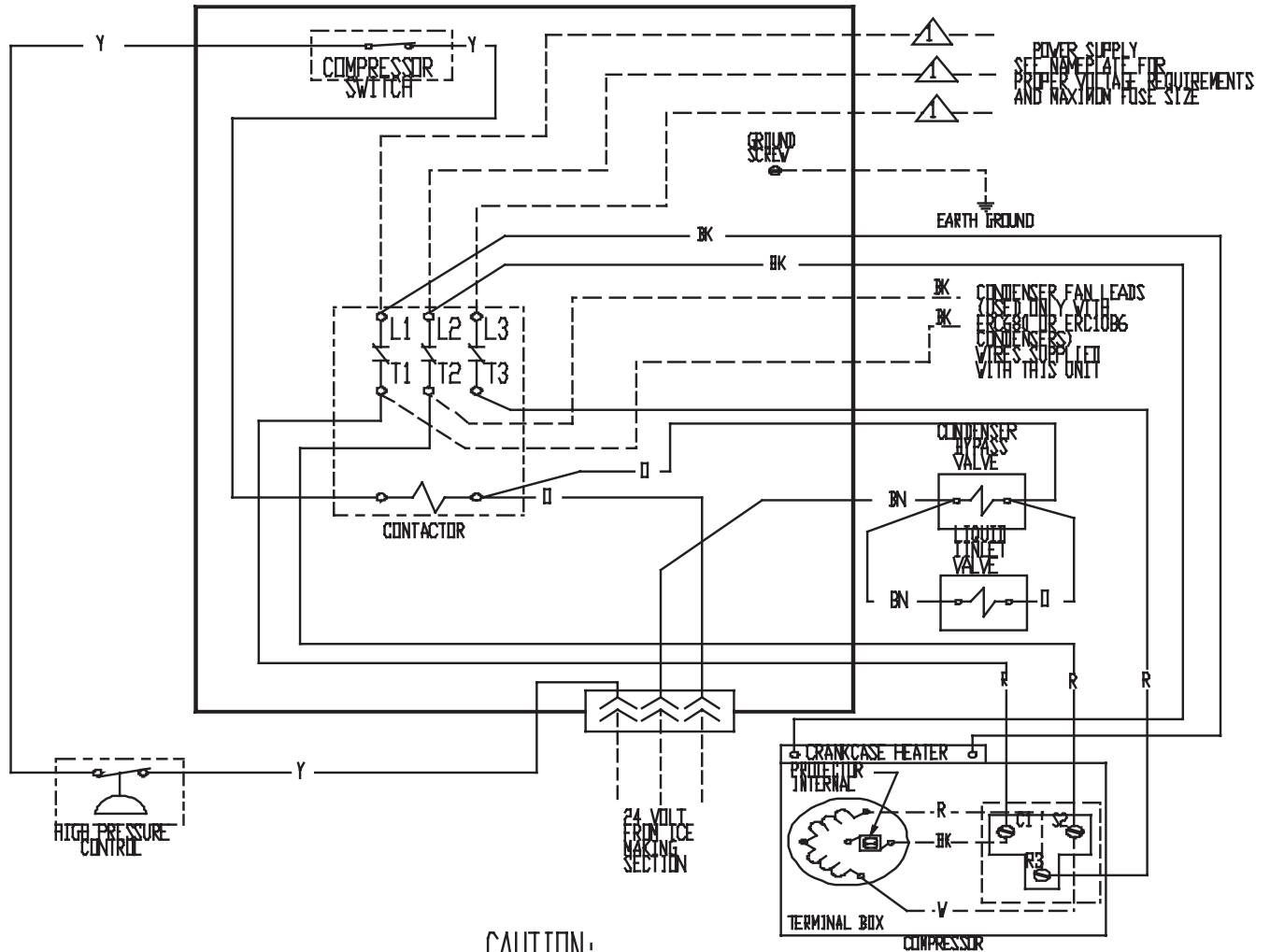
THIS UNIT MUST BE GROUNDED.

Eclipse 1300, 1600 Service Parts

CP1316 Three Phase Wiring Diagram

17-2878-01

USE COPPER CONDUCTORS ONLY



THIS UNIT MUST BE GROUNDED.

CAUTION: MORE THAN ONE DISCONNECT MEANS MAY BE REQUIRED TO DISCONNECT ALL POWER TO THIS UNIT.

⚠ DASHED LINES INDICATE FIELD WIRING WHICH MUST BE INSTALLED IN ACCORDANCE WITH THE NATIONAL ELECTRICAL CODE AND ALL STATE AND LOCAL CODES.

Eclipse 1300, 1600 Service Parts

CP1316 Three Phase Schematic Diagram

