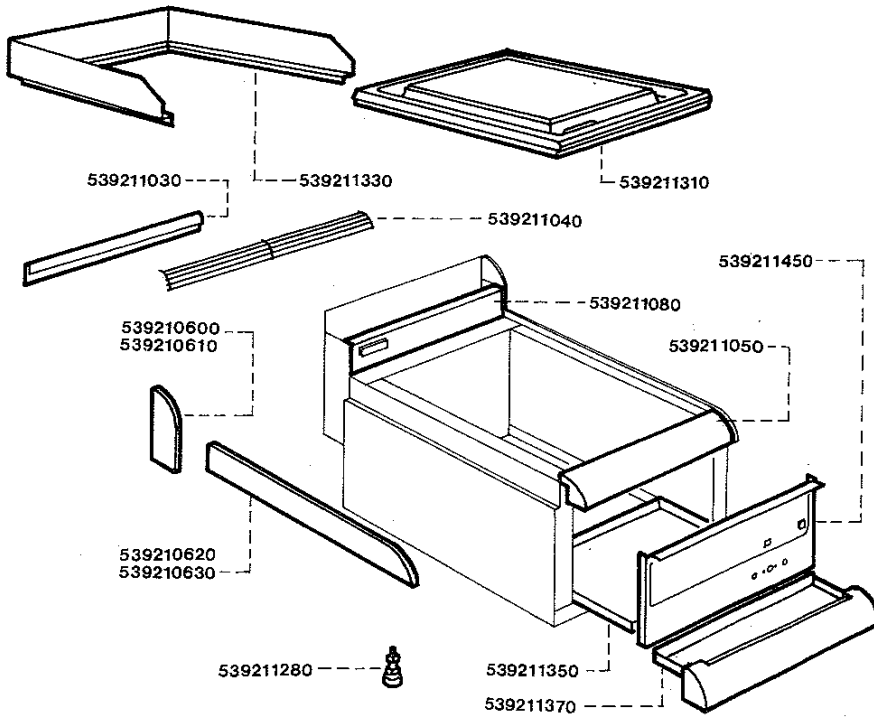
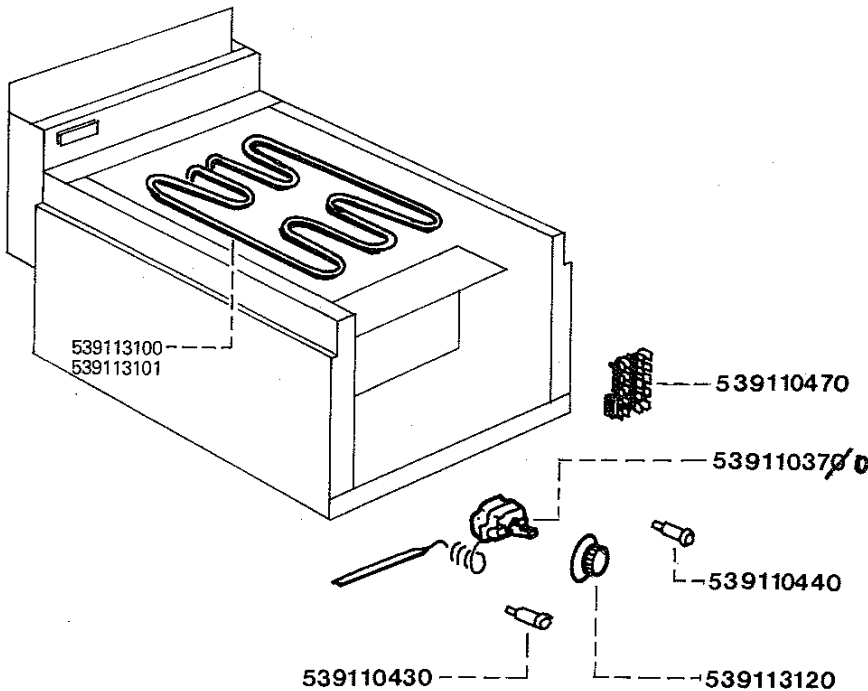


E350/34 GRIDDLE TOP



Fitments

Code No.	Description
12C 539210600	Rear Cheek—LH
12C 539210610	Rear Cheek—RH
7D 539210620	Side Cheek—LH
7D 539210630	Side Cheek—RH
6C 539211030	Flue Trim
9C 539211040	Flue Grid
10D 539211050	Hob Rail
11C 539211080	Flue Front
9A 539211280	Foot
8H 539211310	Griddle Plate
7D 539211330	Plate Surround
7D 539211350	Drip Tray
6F 539211370	Fat Drawer
9D 539211450	Control Panel



Controls

Code No.	Description
2D 539110370	Thermostat
10F 539110370	Thermostat c/w Knob (not illustrated)
7B 539110430	Lamp Indicator (Amber)
7B 539110440	Lamp Indicator (Red)
4B 539110470	Terminal Block
1F 539113100	Element—240V
1F 539113101	Element—220V
5B 539113120	Knob for Thermostat