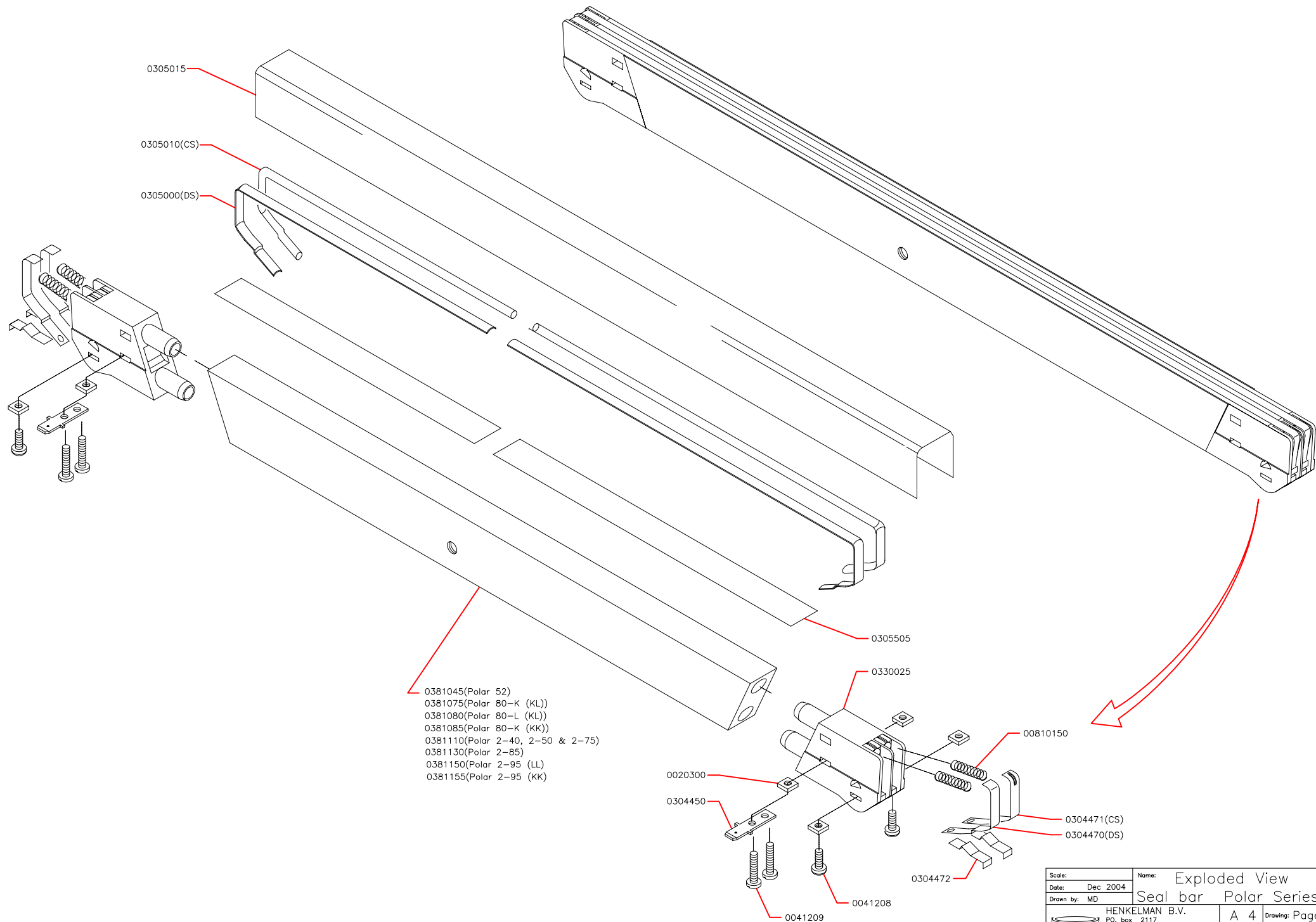
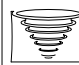
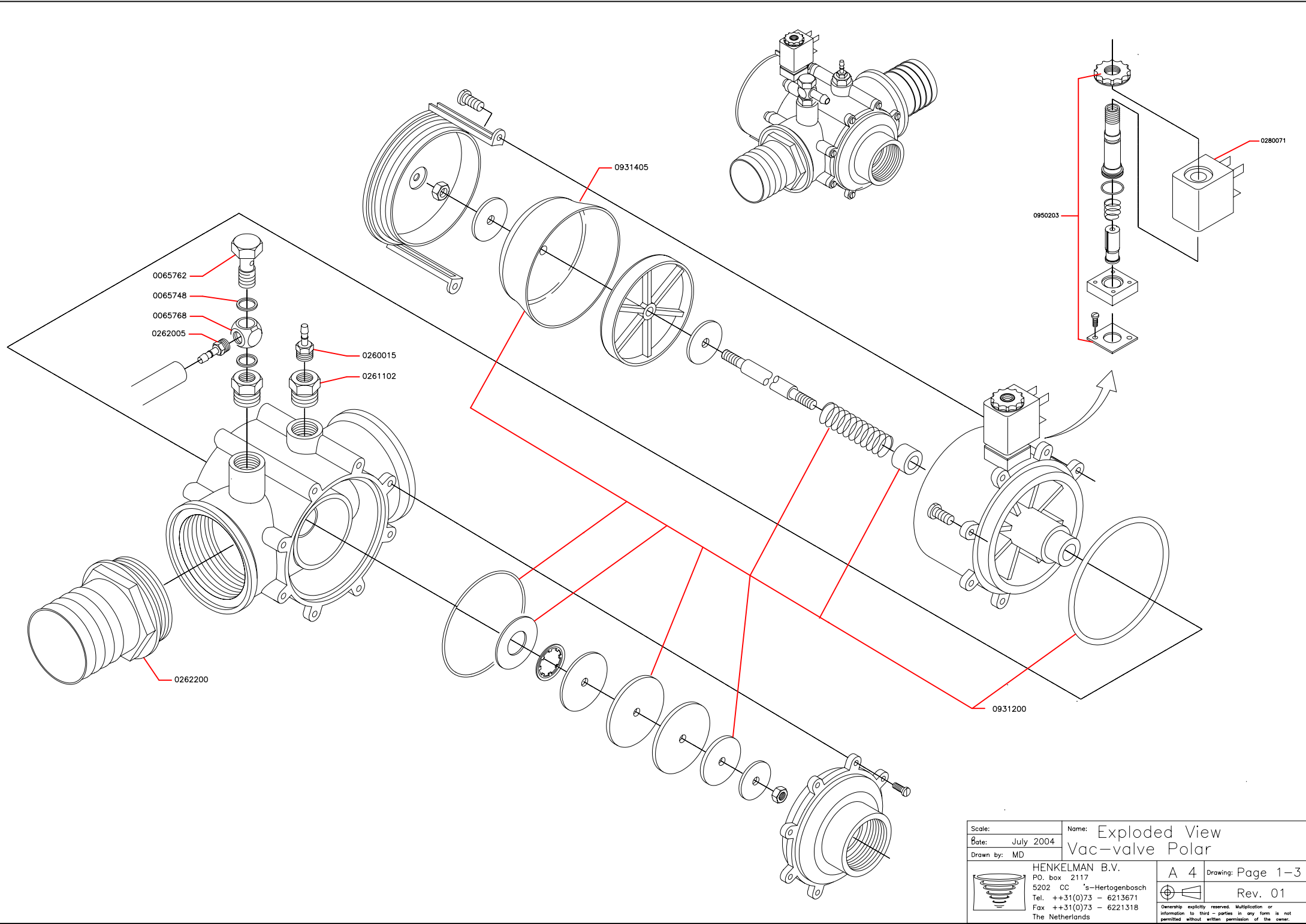


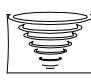
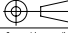
Scale:	Name: Exploded view
Date: May 2004	POLAR 2-95
Drawn by: MD	
HENKELMAN B.V.	
P.O. box 2117	
5202 CC 's-Hertogenbosch	
Tel. ++31(0)73 - 6213671	
Fax ++31(0)73 - 6221318	
The Netherlands	
A 4	Drawing: Page 2-3
	Rev, no: 02
<small>Ownership, liability reserved. Multiplication or information, in whole or in part, in any form is not permitted without written permission of the owner.</small>	

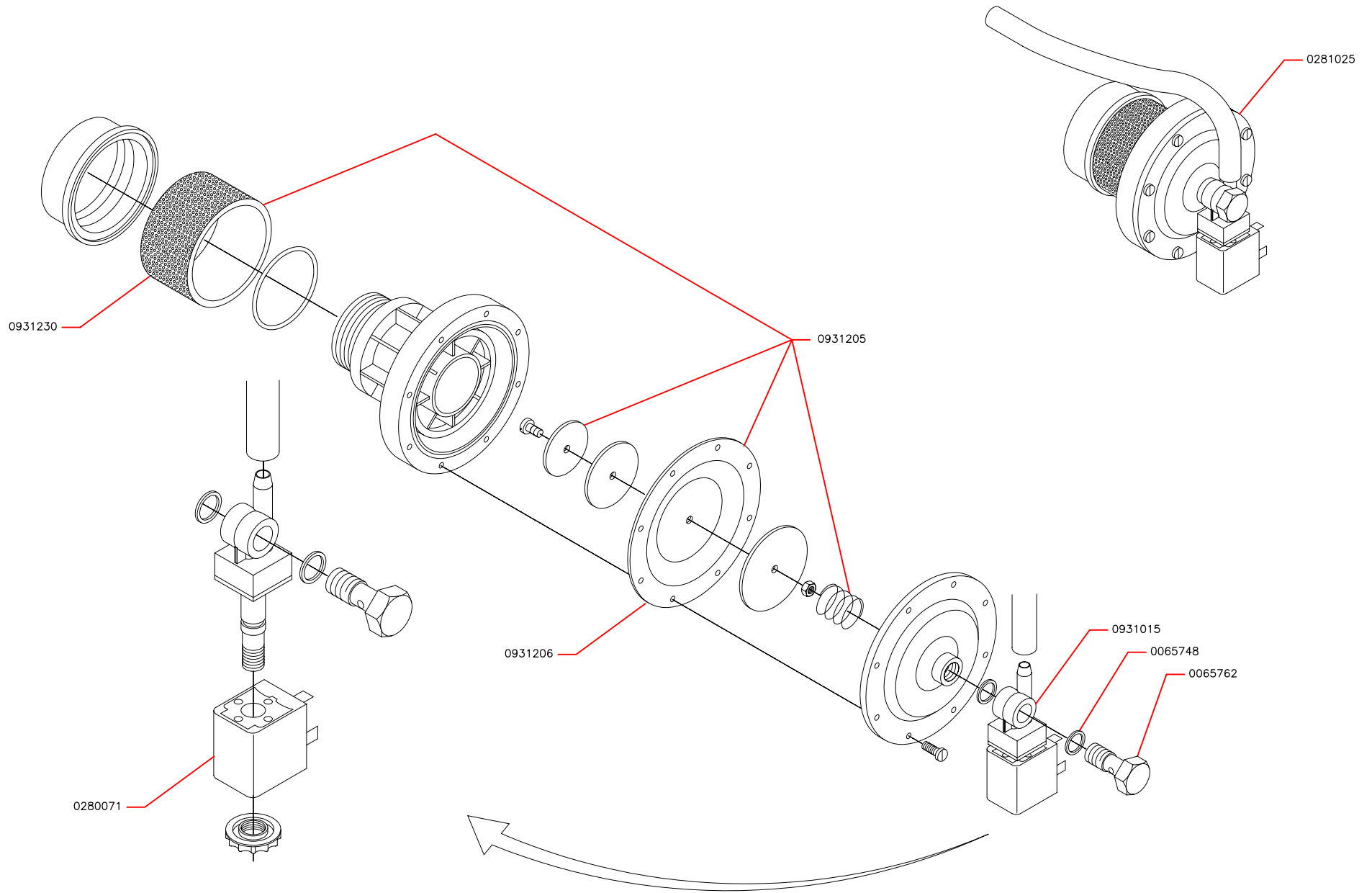


- 0381045(Polar 52)
- 0381075(Polar 80-K (KL))
- 0381080(Polar 80-L (KL))
- 0381085(Polar 80-K (KK))
- 0381110(Polar 2-40, 2-50 & 2-75)
- 0381130(Polar 2-85)
- 0381150(Polar 2-95 (LL))
- 0381155(Polar 2-95 (KK))

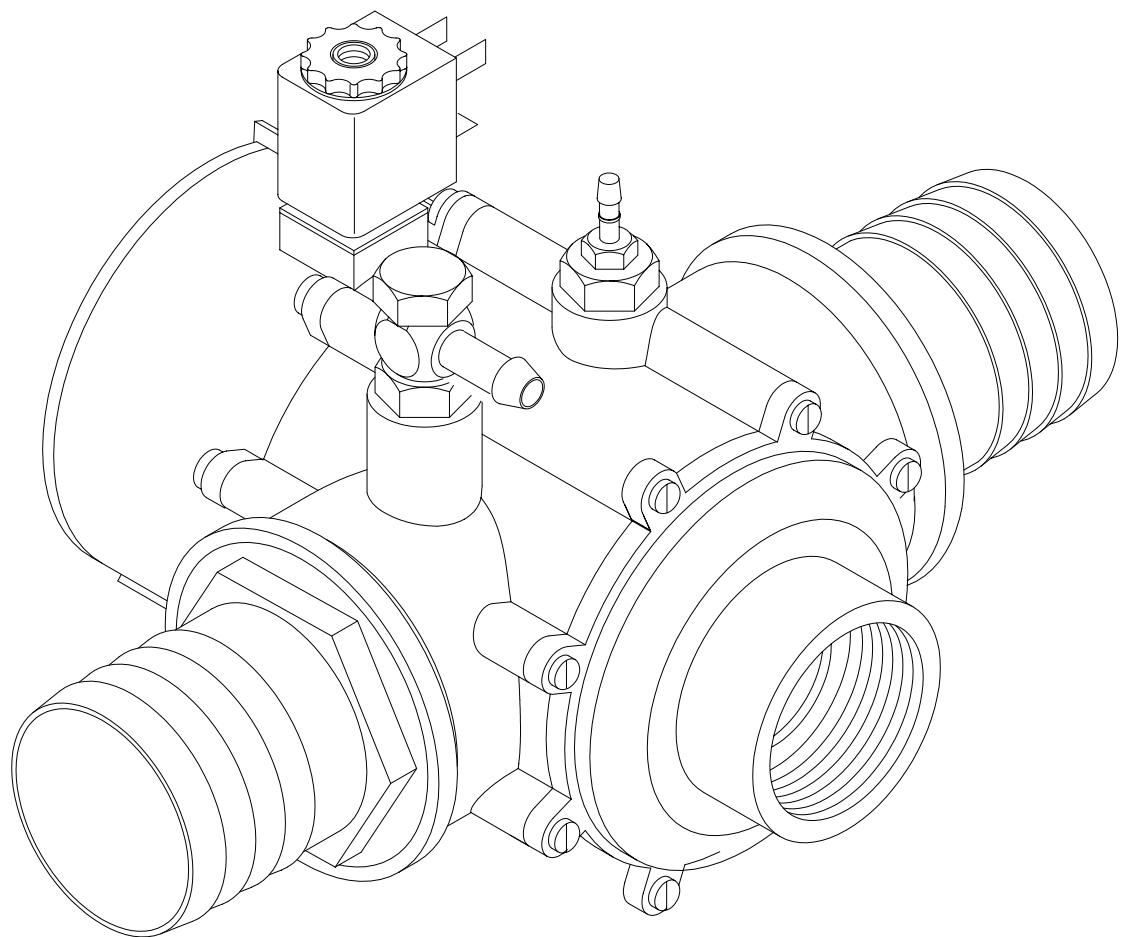
Scale:	Name:	Exploded View	
Date:	Dec 2004	Seal bar Polar Series	
Drawn by:	MD	Rev. 01	
 HENKELMAN B.V. P.O. box 2117 5202 CC 's-Hertogenbosch Tel. ++31(0)73 - 6213671 Fax ++31(0)73 - 6221318 The Netherlands		A 4 Drawing: Page 1-1	
<small>Ownership explicitly reserved. Multiplication or information to third parties in any form is not permitted without written permission of the owner.</small>			

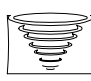


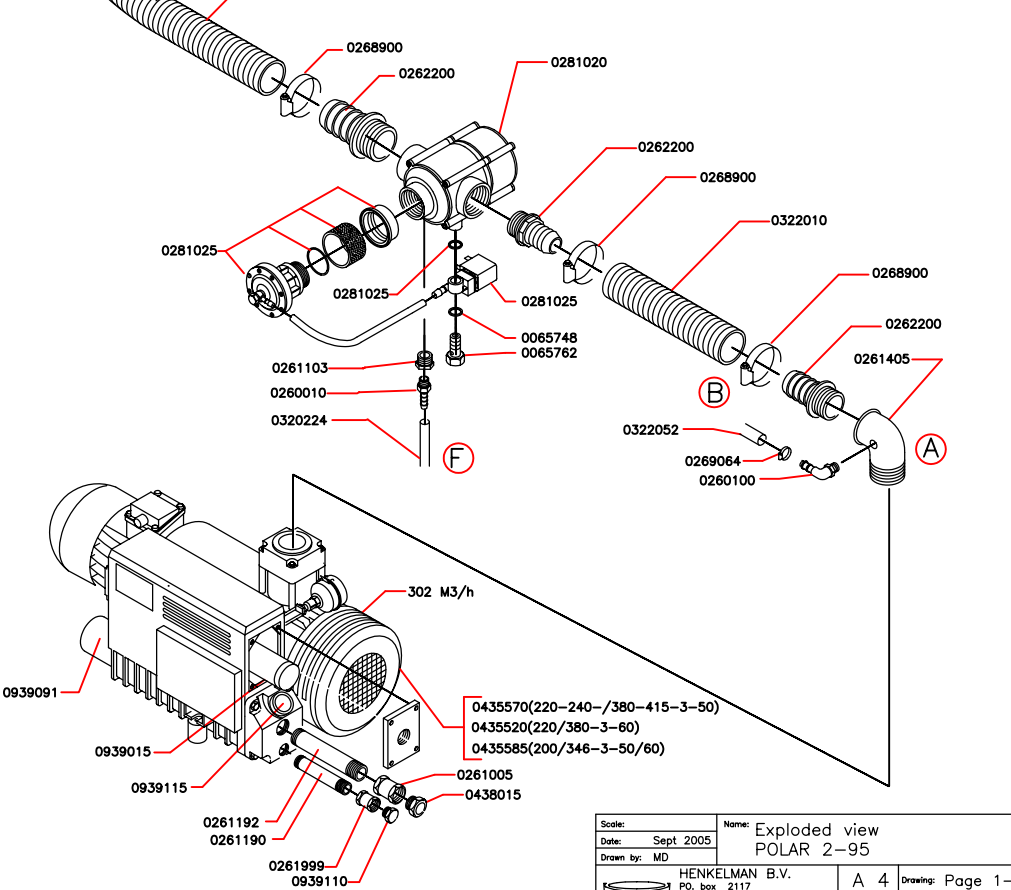
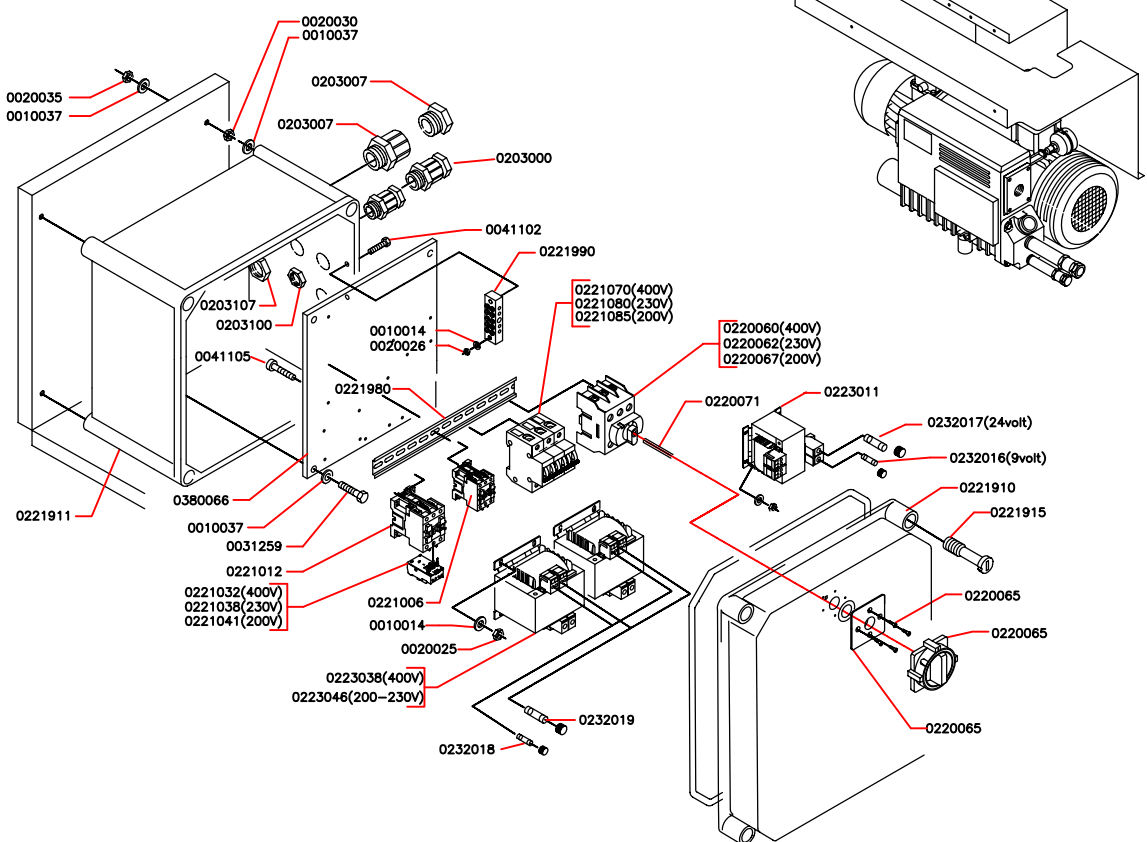
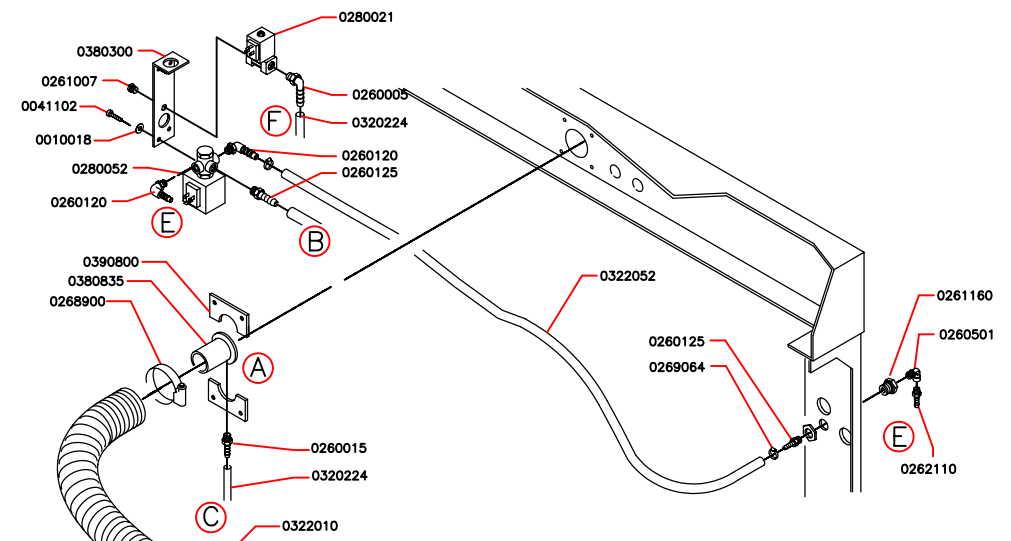
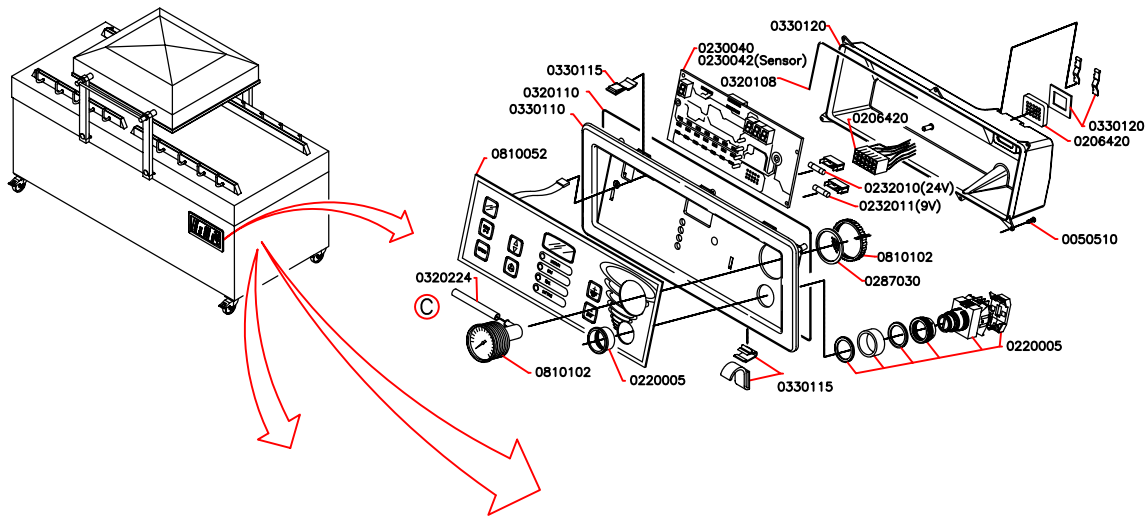
Scale:	Name: Exploded View Vac-valve Polar
Date: July 2004	
Drawn by: MD	
	HENKELMAN B.V.
	PO. box 2117
	5202 CC 's-Hertogenbosch
	Tel. ++31(0)73 - 6213671
	Fax ++31(0)73 - 6221318
The Netherlands	
A 4	Drawing: Page 1-3
	Rev. 01
<small>Ownership explicitly reserved. Multiplication or information to third parties in any form is not permitted without written permission of the owner.</small>	



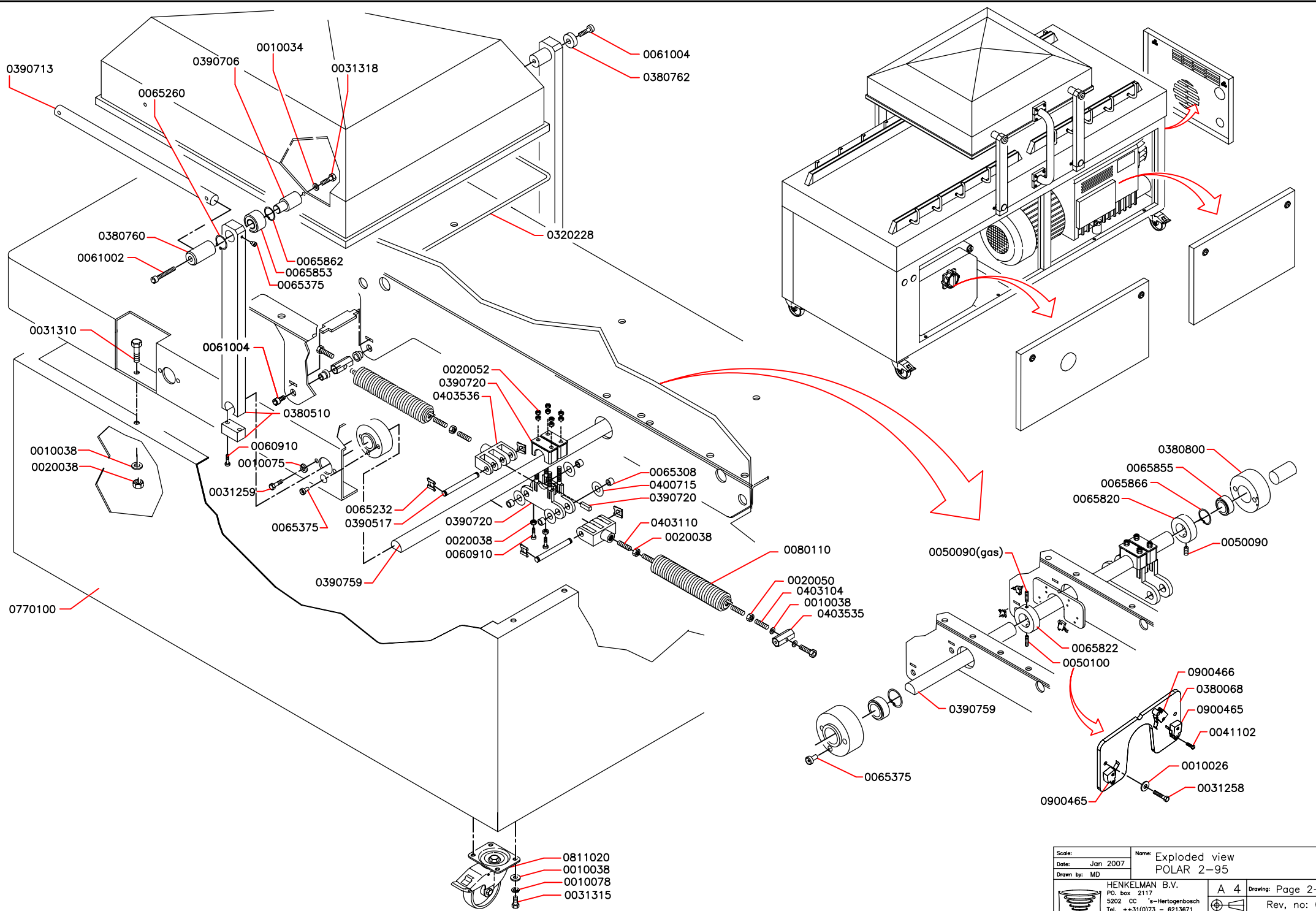
Scale:	Name: Exploded View
Date: July 2004	Decomp Valve Polar
Drawn by: MD	
HENKELMAN B.V. PO. box 2117 5202 CC 's-Hertogenbosch Tel. ++31(0)73 - 6213671 Fax ++31(0)73 - 6221318 The Netherlands	
A 4	Drawing: Page 2-3
	Rev. 01
<small>Ownership explicitly reserved. Multiplication or information to third parties in any form is not permitted without written permission of the owner.</small>	



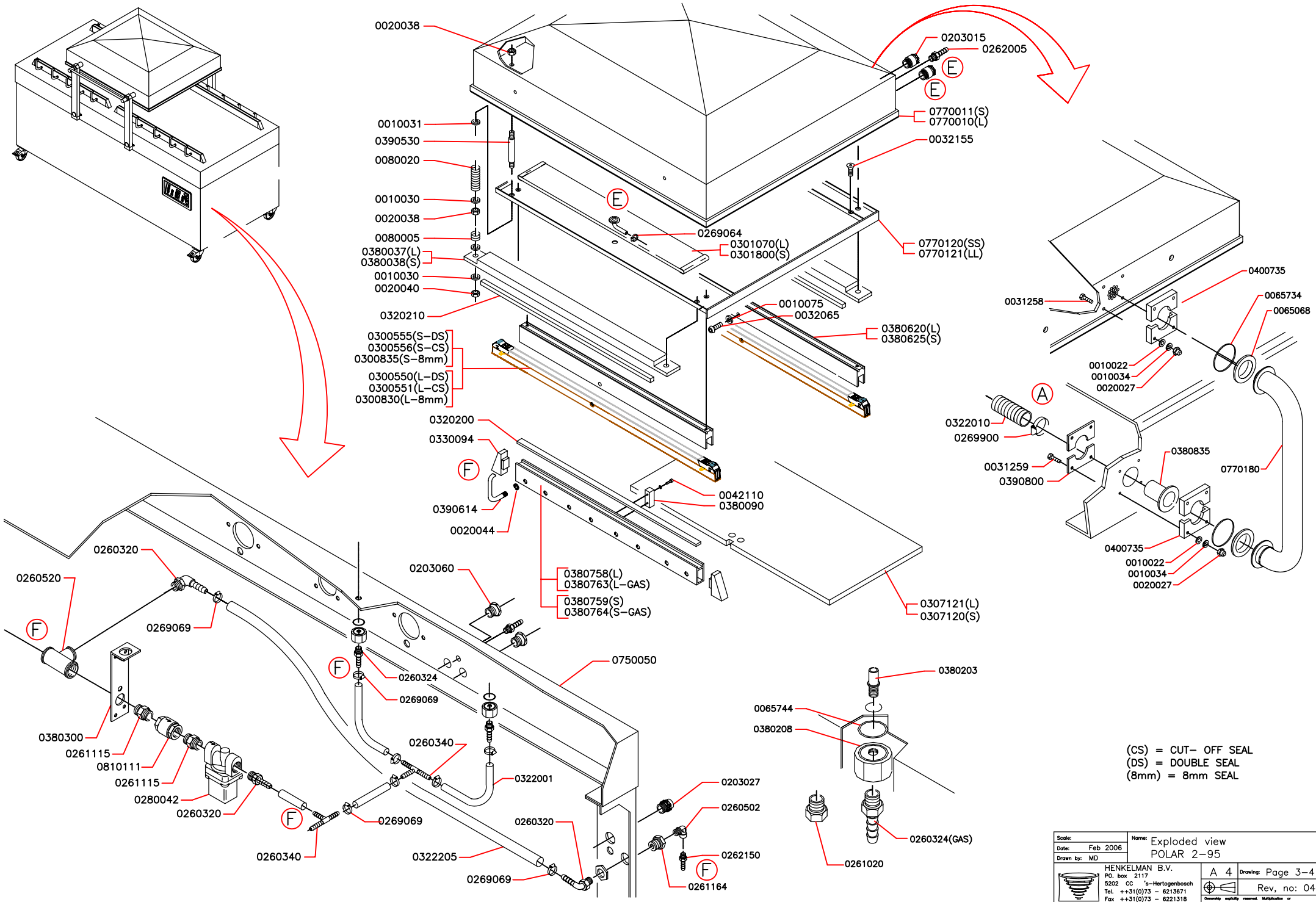
Scale:	Name: Exploded View
Date: July 2004	Vac-valve comp Polar
Drawn by: MD	
 <p>HENKELMAN B.V. PO. box 2117 5202 CC 's-Hertogenbosch Tel. ++31(0)73 - 6213671 Fax ++31(0)73 - 6221318 The Netherlands</p>	A 4 Drawing: Page 3-3 Rev. 01
	<small>Ownership explicitly reserved. Multiplication or information to third parties in any form is not permitted without written permission of the owner.</small>



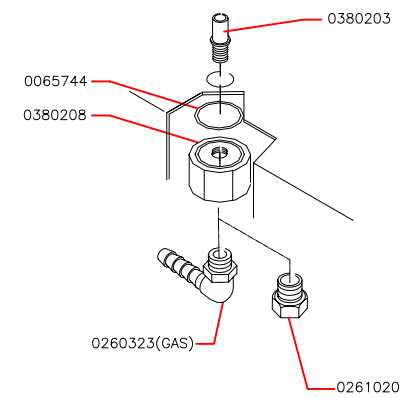
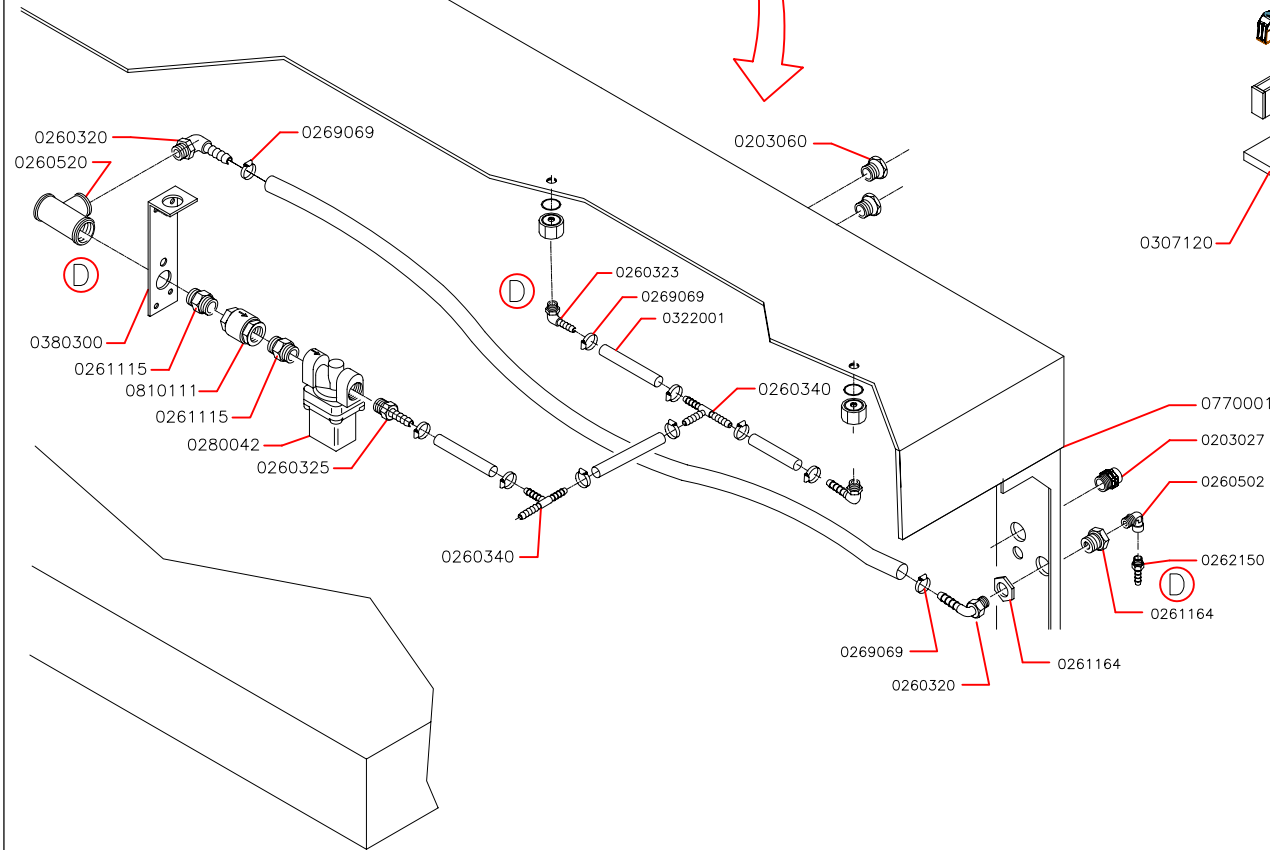
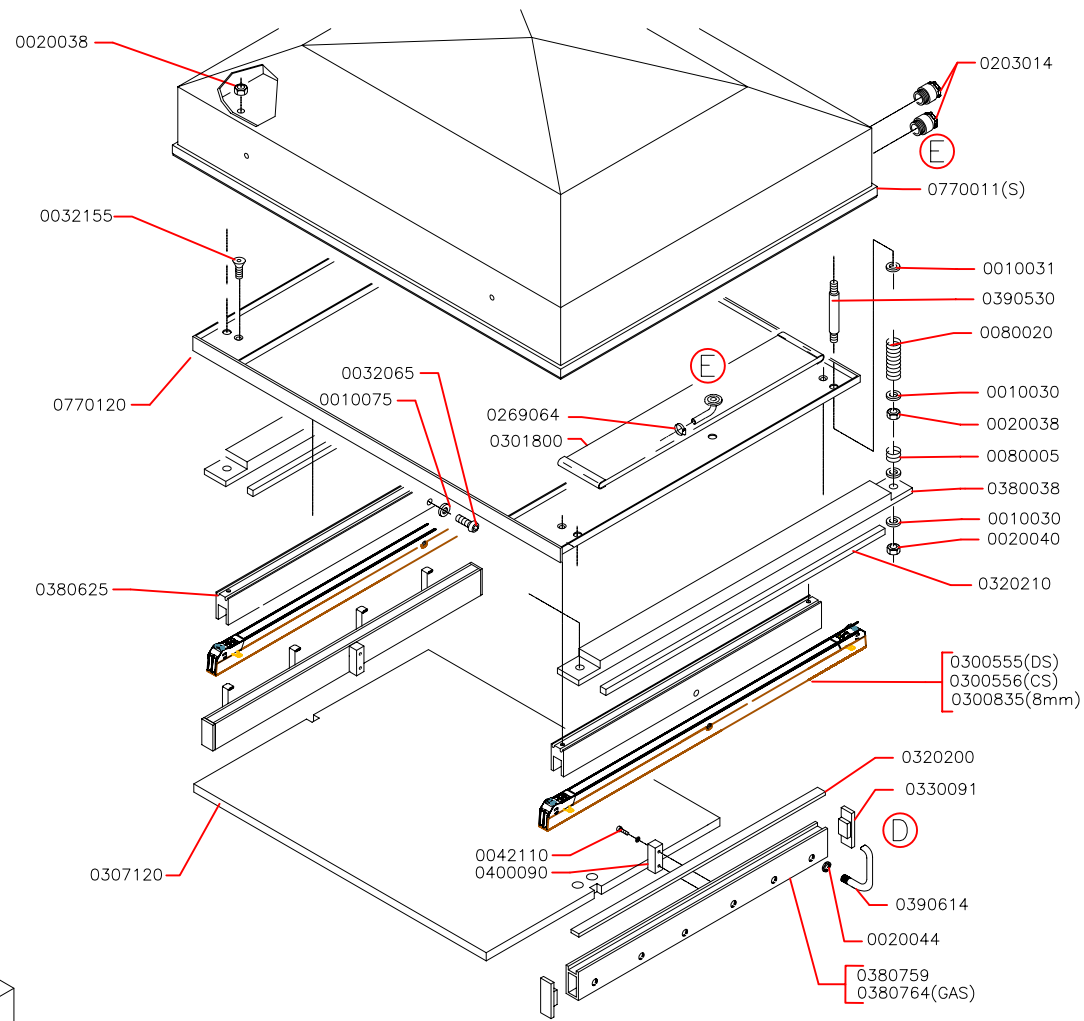
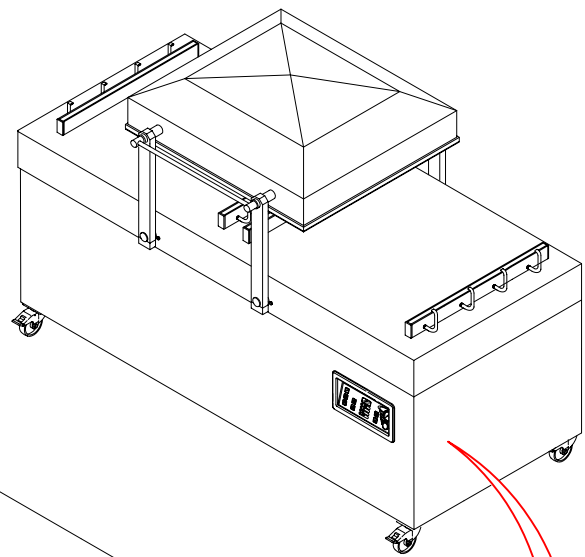
Scale:	Name:
Date: Sept 2005	Exploded view
Drawn by: MD	POLAR 2-95
HENKELMAN B.V. P.O. box 2117 5202 CC 's-Hertogenbosch Tel. ++31(0)73 - 6213671 Fax ++31(0)73 - 6221318 The Netherlands	
A 4	Drawing: Page 1-4
Rev. no: 03	



Scale:	Name:
Date: Jan 2007	Exploded view
Drawn by: MD	POLAR 2-95
HENKELMAN B.V. P.O. box 2117 5202 CC s-Hertogenbosch Tel. ++31(0)73 - 6213671 Fax ++31(0)73 - 6221318 The Netherlands	
A 4	Drawing: Page 2-3
Rev. no: 05	



Scale:	Name: Exploded view
Date: Feb 2006	POLAR 2-95
Drawn by: MD	
HENKELMAN B.V. P.O. box 2117 5202 CC 's-Hertogenbosch Tel. ++31(0)73 - 6213671 Fax ++31(0)73 - 6221318 The Netherlands	
A 4	Drawing: Page 3-4
Rev. no: 04	



(CS) = CUT- OFF SEAL
(DS) = DOUBLE SEAL
(8mm) = 8mm SEAL

Scale:	Name:
Date: Nov 2006	Exploded view
Drawn by: MD	POLAR 2-95 (SS)
HENKELMAN B.V. P.O. box 2117 5202 GC 's-Hertogenbosch Tel. ++31(0)73 - 6213671 Fax ++31(0)73 - 6221318 The Netherlands	
A 4	Drawing: Page 4-4
Rev. no: 01	