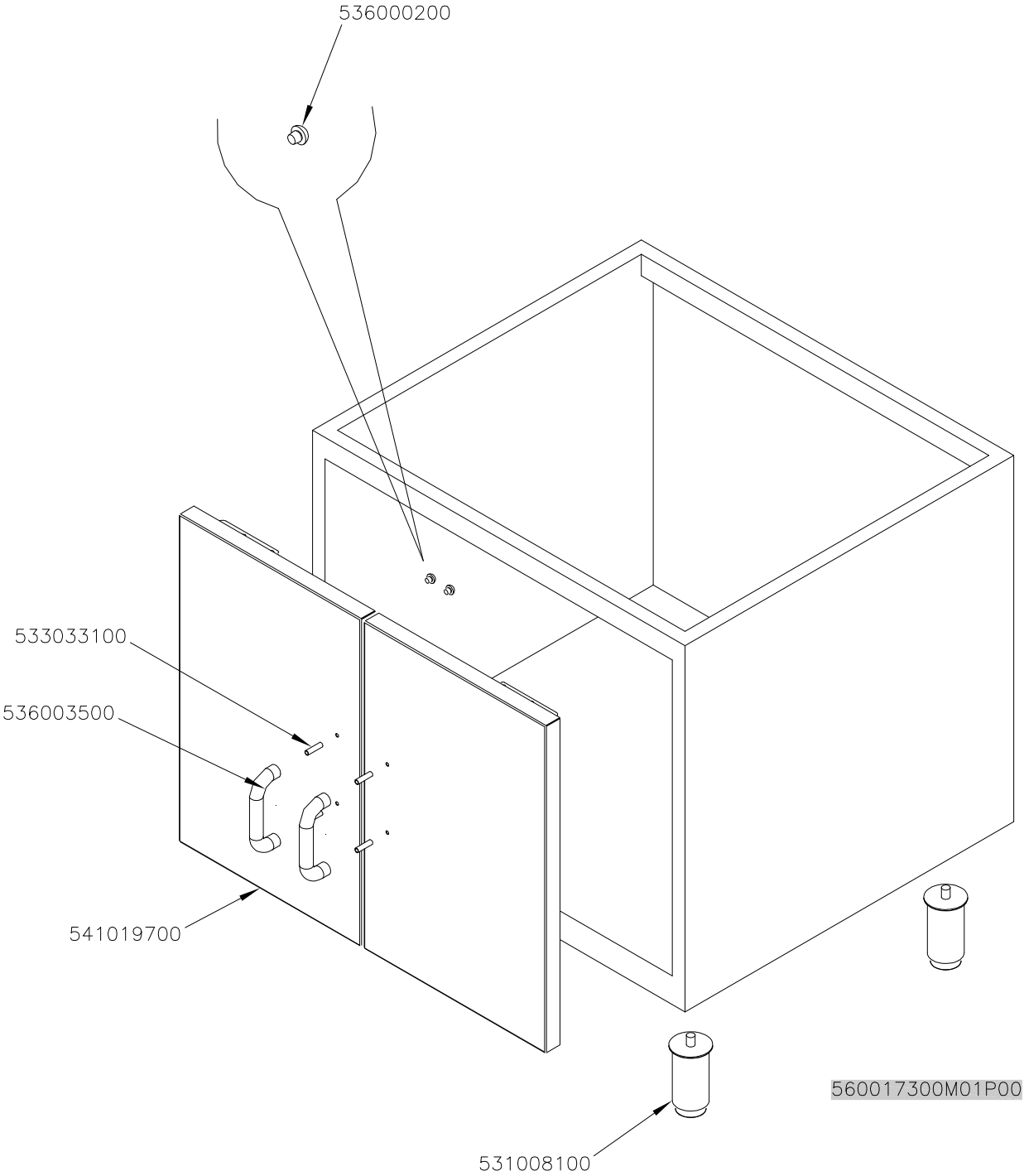
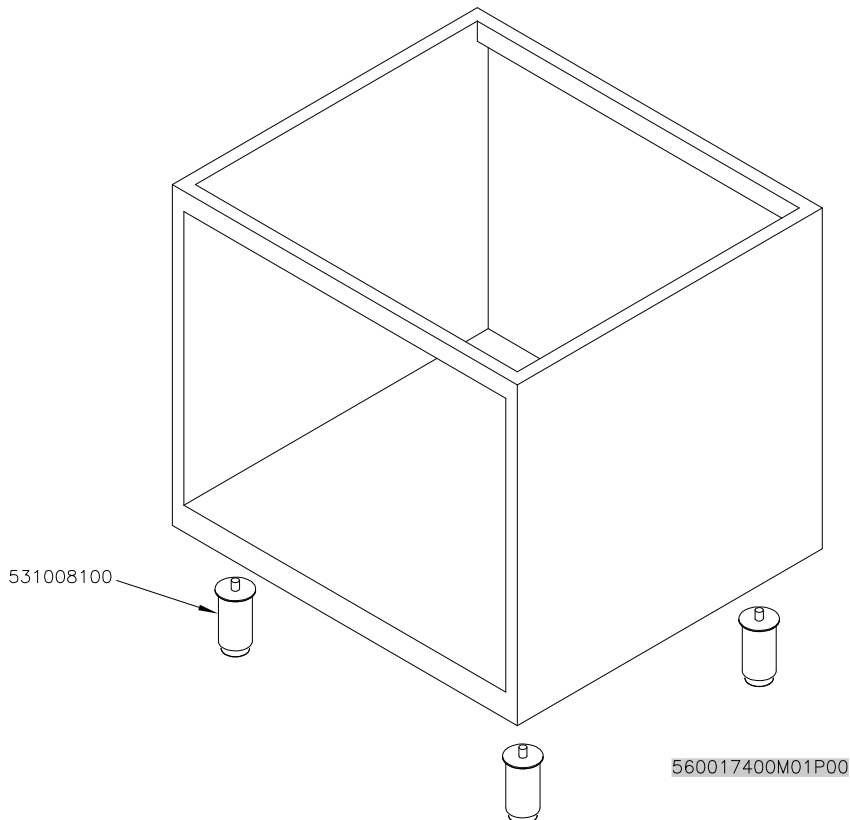
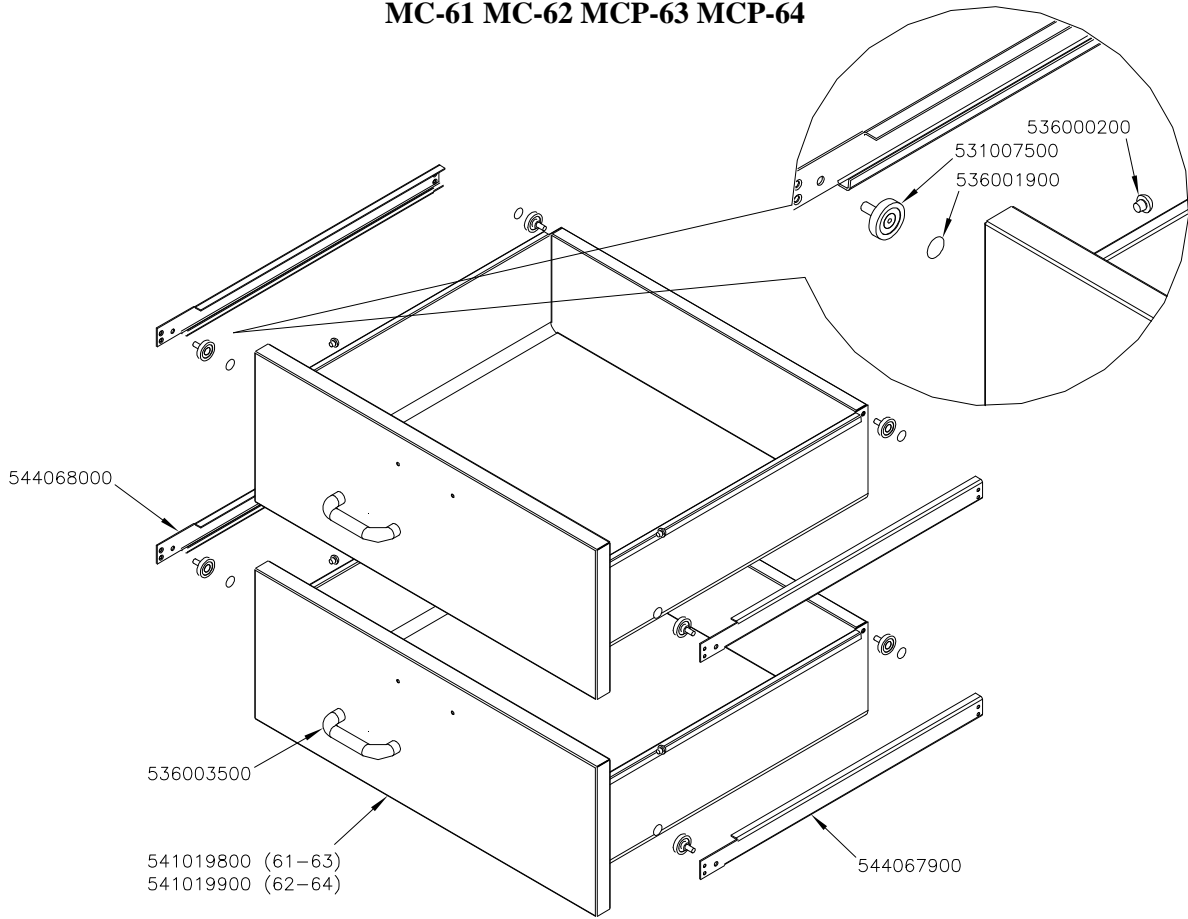


**MP-61 MP-62 MP-63 MCP-63 MP-64 MCP-64**



**MAGIC SNACK 60**  
NEUTRO / NEUTRAL ELEMENTS / NEUTRALE ELEMENTE / ELEMENTES NEUTRES

MC-61 MC-62 MCP-63 MCP-64



Page	Pos	Code	Description
001		536000200	D.12 H.4 BUMPER
001		533033100	HANDLE SPACER
001		536003500	RED HANDLE 60/SK
001		541019700	DOOR 61
001		531008100	ADJUSTABLE LEG H9 CHROME
002		536000200	D.12 H.4 BUMPER
002		531007500	GUIDE-RAIL WHEEL D.25X10X22
002		536001900	WHEEL CAP
002		544068000	LHD GUIDE
002		536003500	RED HANDLE 60/SK
002		541019900	DRAWER 62
002		544067900	RHD GUIDE
002		531008100	ADJUSTABLE LEG H9 CHROME