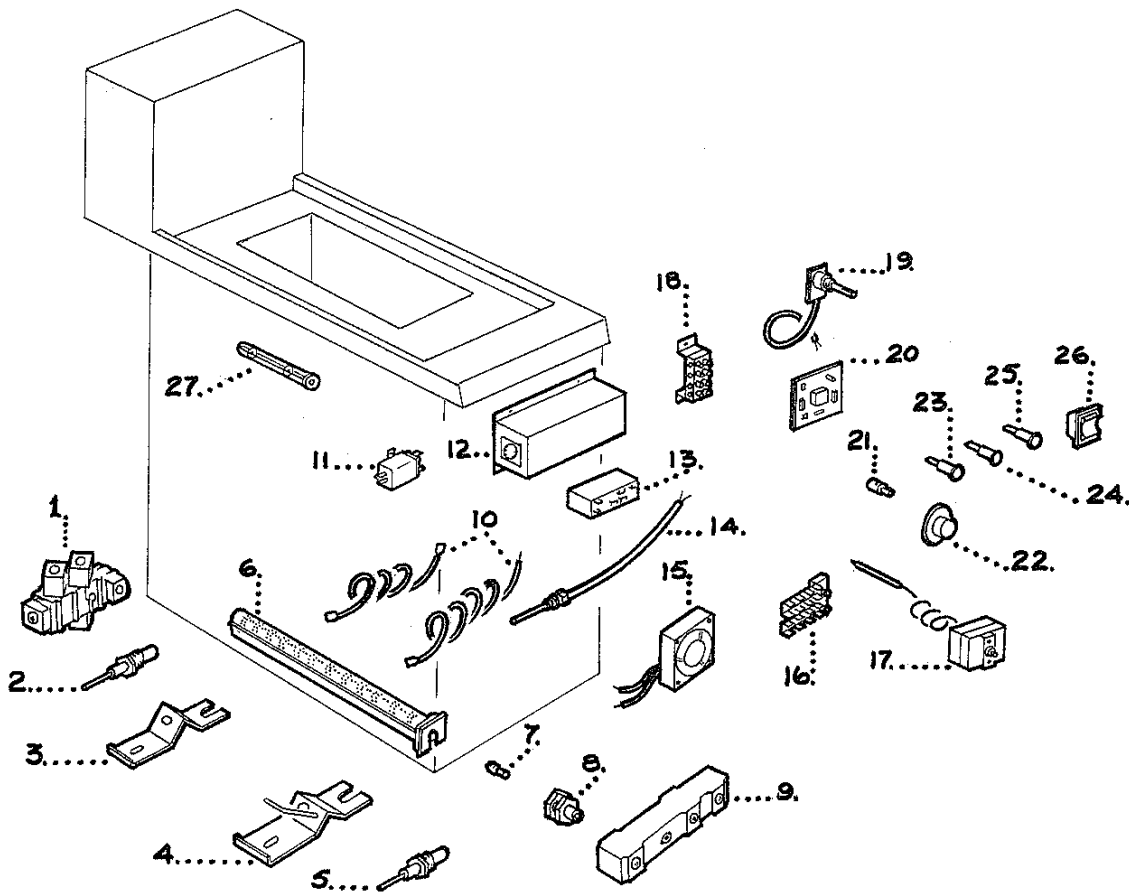


G1808 CE Fryer - Pan & Body Fitments

1	534500390	Flue capper
2	534500020	Flue uptake front
3	534500010	Pan & hob assembly
4	531930120	Basket hanging rail bracket
5	534500030	Basket hanging rail
6	534510170	Pan strainer
7	534500080	False bottom
8	531303062	Dust cover c/w handle
9	531313050	Dust cover handle
10	531312010	Chip basket
11	534500060	Control panel
12	534500070	Control panel trim
13	534500040	Door assembly
14	531880190	Door handle bracket c/w gasket RH)
15	534500050	Door handle bar
16	531880180	Door handle bracket c/w gasket LH
17	534510100	Door top hinge
18	534510130	Door keeper stud
19	534510030	Door catch
20	534510060	Drain cock
21	534510070	Drain tube
22	534510110	Door bottom hinge
23	534510010	Outer side panel LH
	534510020	Outer side panel RH (not shown)
24	534510040	Outer side blanking plate
25	531880260	Leg c/w adjustable foot



G1808 CE Fryer - Pipework and Controls

	530062500	Governor 1/2" BSP
1	534510930	Solenoid triple
2	530140220	Sensor probe
3	534500130	Sensor bracket
4	534500120	Igniter bracket
5	531930575	Igniter probe
6	534500090	Burner
7	534500220	Injector N.G.
7a	534500400	Injector L.P.
8	534500110	Injector Adapter
9	530133100	Manifold
10	534500140	Injector/Sensor leads (set of 4)
11	534500210	Filter 2a
12	531930500	Gas control unit (Pactrol)
13	531930480	Igniter box
14	534510260	Thermocouple
15	534500190	Fan
16	531930490	Terminal block
17	534510255	Safety thermostat
18	534511020	Connector block c/w bracket
19	531690310	Control potentiometer
20	531690610	Operating stat P.C.B.
21	534510290	Spindle adapter
22	534500165	Control knob
23	737140020	Indicator lamp (Amber)
24	534510270	Indicator Lamp (Green)
25	737140030	Indicator lamp (Red)
26	732010360	On/Off switch (See note 3)
27	537310050	Safety stat phial board

Note 1. PAV potentiometer and PCB no longer available
ELM components only supplied but these are not compatible
with PAV and both parts will require to be replaced.