



Würfeleisbereiter Vollkegel, Splitgerät 300 kg/24 h, ohne Speicher

Artikel-Nr.
711055 (C300SPLITREMOTE)

Explosionszeichnung / Ersatzteile

Bitte bei Ersatzteilbestellung immer Artikelnummer und
Seriennummer mit angeben!



SHELL ASSY

COOLING SYSTEM

HYDRAULIC CIRCUIT

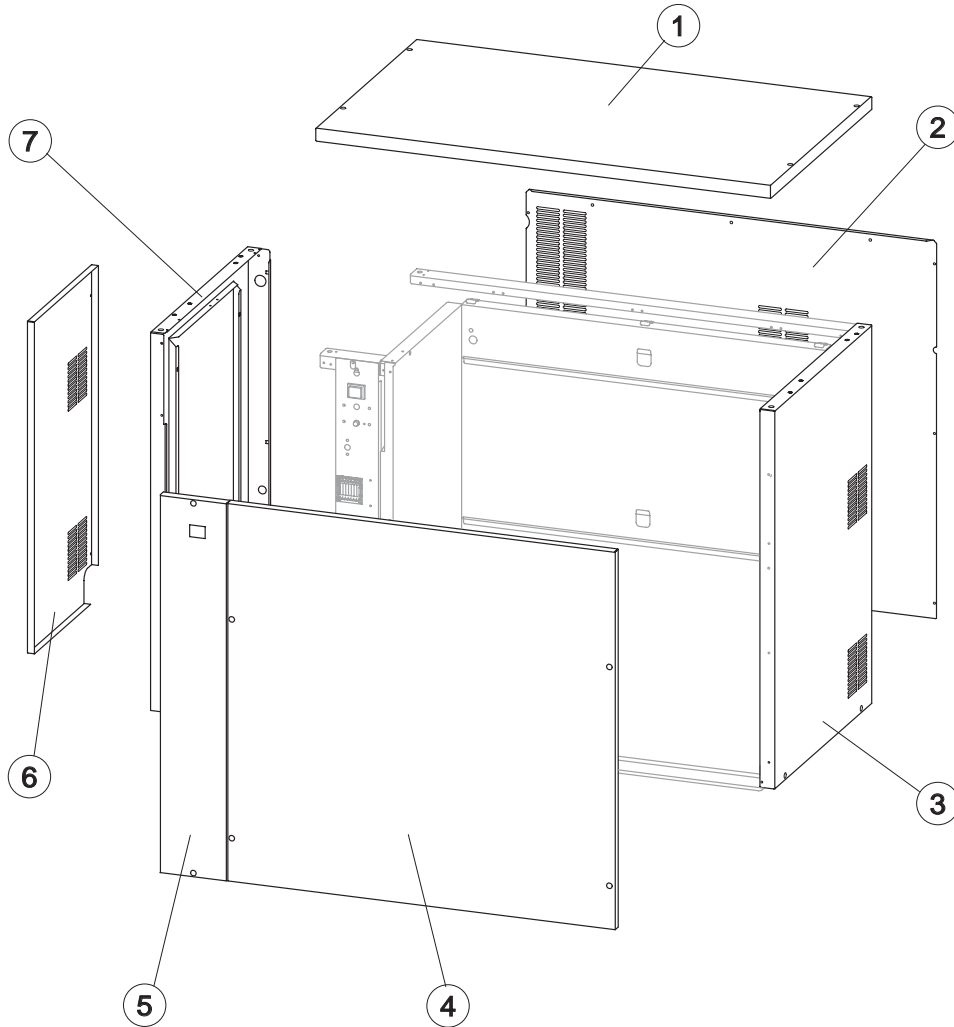
ELECTRIC PARTS



C 300 Split Remote

SHELL ASSY

Ref.	Spare Description	Code
1	Top	221283
2	Rear Panel	21370
3	Right Side Panel	22735
4	Front Panel	C22744
5	Front Panel with hole	221282
6	Left Side Panel	221284
7	Left Side Panel	22736

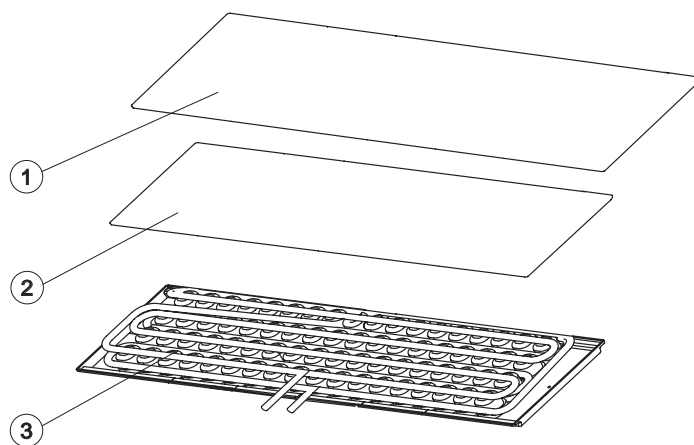


Rev. 00 - 24/10/2018



C 300 Split Remote

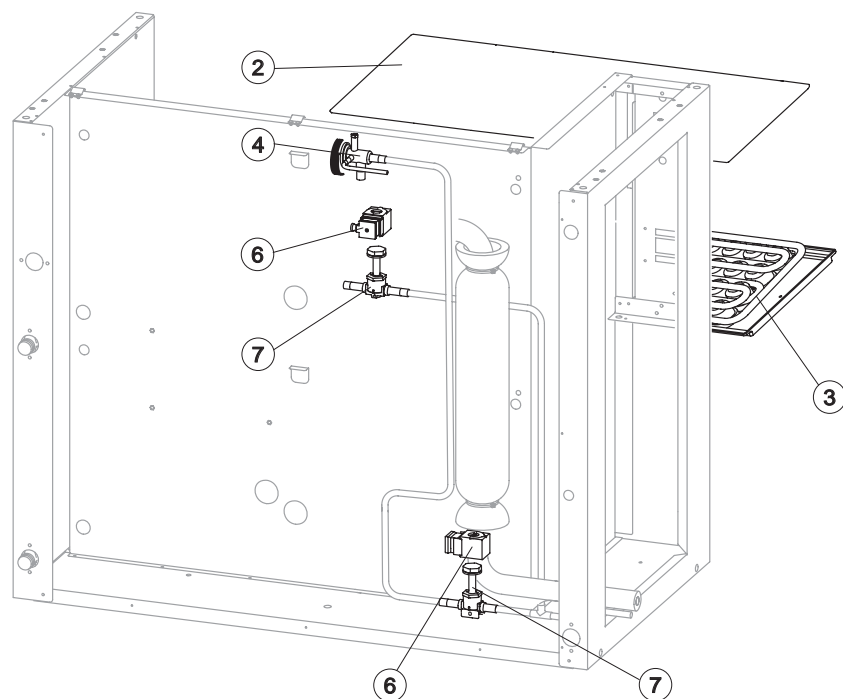
COOLING SYSTEM



Ref.	Spare Description	Code
1	Upper Evaporator Cover Panel	10439
2	Evaporator Cover Panel	10058
3	Evaporator	See Table
4	Expantion Valve	201006
6	Hot Gas valve Coil	231294
7	Hot Gas valve Body	20409

Ref. 3 - Evaporator

Kind of Cube	Code
18 g. (Standard)	D10214
33 g.	D10092
13 g.	D10126
42 g.	D10477
60 g.	D10555



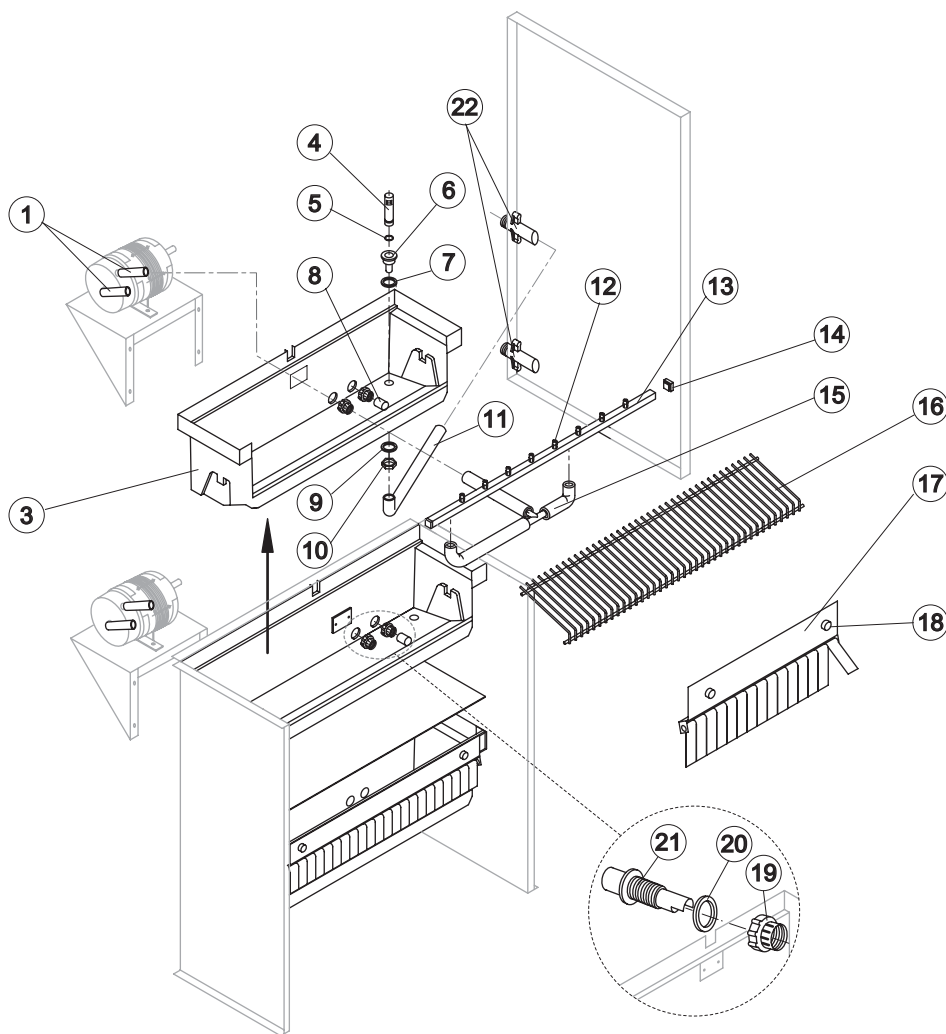
Rev. 00 - 24/10/2018



C 300 Split Remote

HYDRAULIC CIRCUIT

Rev. 00 - 24/10/2018



Ref.	Spare Description	Code
1	Pump Suction/Delivery Pipe	13150
3	Inner Basin	10440
4*	Overflow pipe	10133
5*	OR Gasket for Overflow Pipe	20233
6	Water Outlet Nipple	10471
7	Silicone Gasket	13006
8*	Pump Suction Filter	20005
9	Semirigid polyethylene	13007
10	Bin Discharge Nut	10096
11	Water Discharge Pipe	13054
12	Sprayer	D20002
13*	Sprayer Bar Assembly	See Table
14	Sprayers Bar Plug	10012
15	Sprayers Bar Pipe Connection	C13036
16	Ice Cube Slide	See Table
17	Flag Support Assy	C22134
18	Fixing Screw	20009
19	Fittings Locking Ring	10405
20	Gasket for Pump Suction/ Delivery pipes	13143
21	Fittings Locking Ring	10424
22	Discharge Manifold	C10415

Ref. 13* - Sprayer Bar ass.

Kind of Cube	Code
18 g. (Standard)	C20144
33 g.	C20157
13 g.	C20200
42 g.	C20157
60 g.	C20941

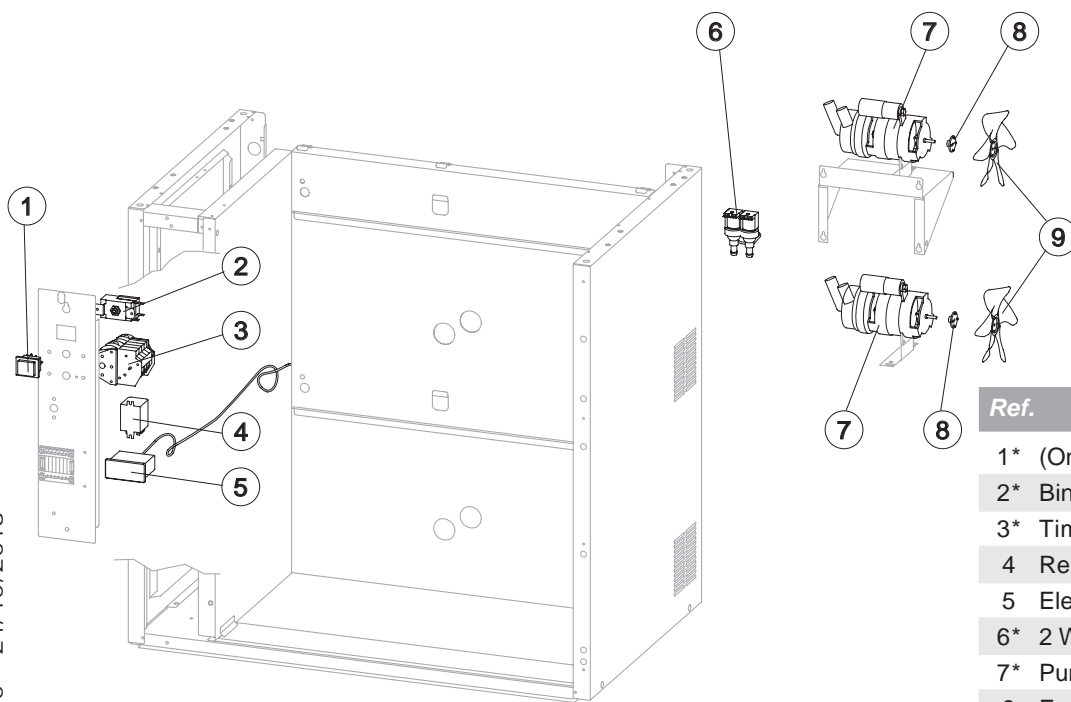
Ref. 16 - Ice Cube Slide

Kind of Cube	Code
18 g. (Standard)	D12022
33 g.	D12033
13 g.	D12040
42 g.	D12033
60 g.	D12084



C 300 Split Remote

ELETTRIC PARTS



Ref.	Spare Description	Code
1*	(On-Off) Rocker Switch	23327
2*	Bin Thermostat	R23421
3*	Timer	see table
4	Relay	23190
5	Electronic thermostat with probe	C231263
6*	2 Ways-Water Inlet Valve	see table
7*	Pump Assy	C23691
8	Fan Fixing Hub	10014
9	Sucking Fan	10213

Rif. 4* - Timer

Voltage	Cube 18 g	Cube 33 g	Cube 13 g	Cube 42 g	Cube 60 g
T11	23247	23248	23472	23780	23922

Rif. 6* - 2Ways-Water Inlet Valve

Voltage	Cube 18 g	Cube 33 g	Cube 13 g	Cube 42 g	Cube 60 g
T11	23157	23784	23157	23784	23784

Rev. 00 - 24/10/2018