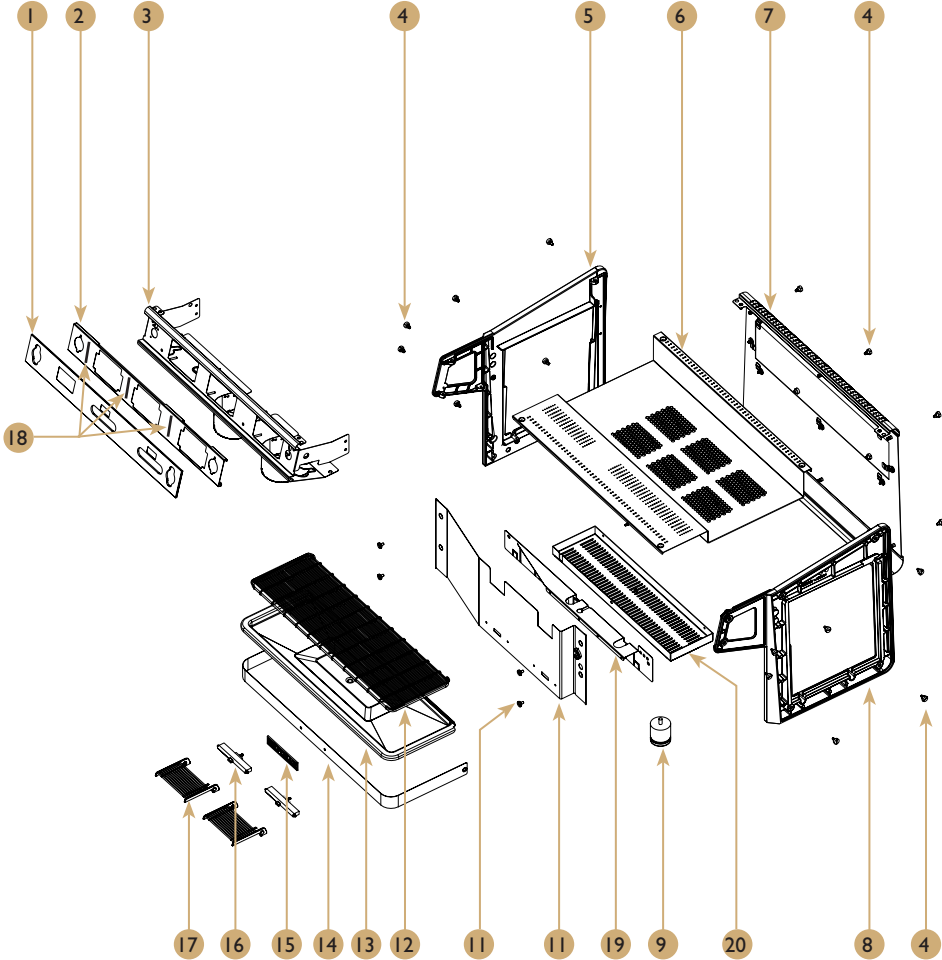


ONYX *Pro* 2Gr

Drawing



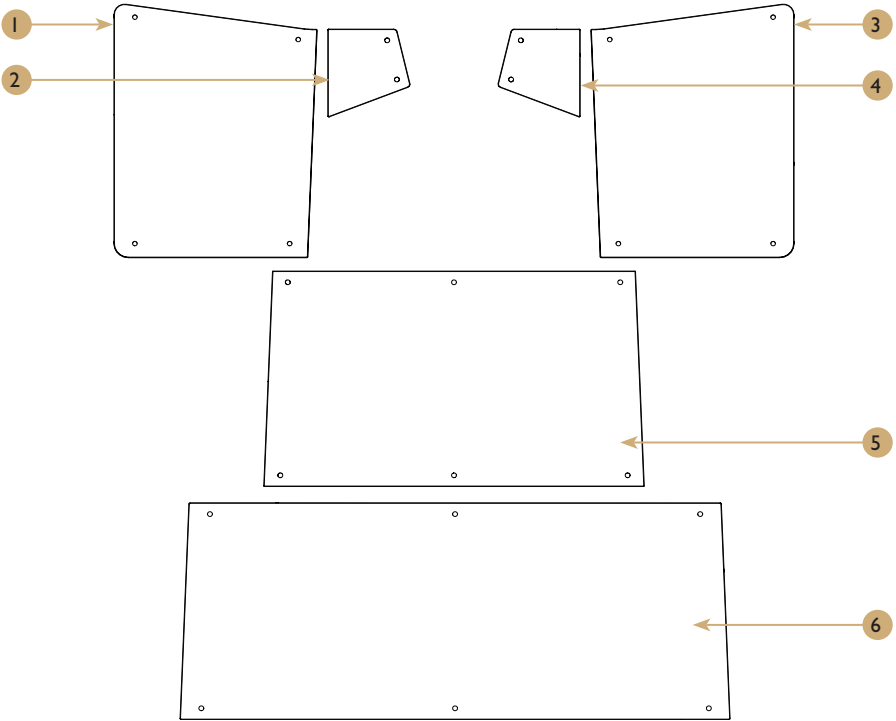
ONYX *Pro* 2Gr

## Spare Parts List

POS.	Part No.	Description
1	1264515	Glass Panel Top Front
2	262034	Hook Panel
3	2760416	Top Front Assy 2GR Pro
4	1461148	Styling Screw M5 with Step (includes O-ring PN 1264364)
5	1361763	Side Panel Frame Left
6	262021	Top Cup Tray
7	262032	Central Panel Rear
8	1361762	Side Panel Frame Right
9	70000050	Leg D-50 H55-70
10	262033	Front Panel
11	1461149	Styling Screw M5 with Chamfer
12	20000216	Grill
13	20000166	Drip Tray
14	12030070BK	Lower Trim
15	1760069	EXPOBAR Logo
16	2760330	Cup Holder Support Assy
17	1364110	Cup Holder
18	1965028	Tape 3M
19	2602045	Lower front protection ONYX Pro 2GR
20	20010060	Lower box 2-3-4 GR

ONYX *Pro* 2Gr & 3Gr

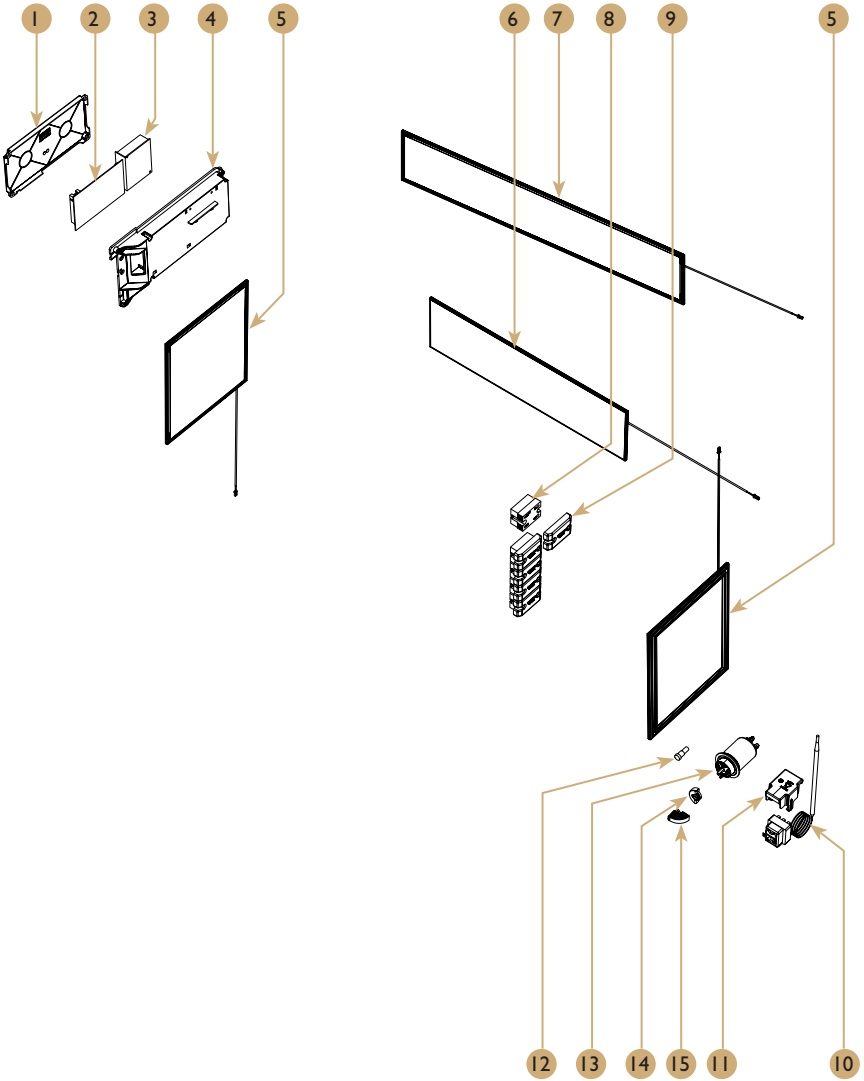
Drawing & Spare Parts List



POS.	Part No.	Description
1A	1264555	Glass Panel Big Left Side Black w/ EXPOBAR Branding
1B	1264496	Glass Panel Big Side Transparent (for Custom Branding)
2A	1264557	Glass Panel Small Left Side Black
2B	1264498	Glass Panel Small Side Transparent (for Custom Branding)
3A	1264554	Glass Panel Big Right Side Black w/ EXPOBAR Branding
3B	1264496	Glass Panel Big Side Transparent (for Custom Branding)
4A	1264556	Glass Panel Small Right Side Black
4B	1264498	Glass Panel Small Side Transparent (for Custom Branding)
5A	1264559	Glass Panel Rear 2GR Black w/ EXPOBAR Branding
5B	1264517	Glass Panel Rear 2GR Transparent (for Custom Branding)
6A	1264558	Glass Panel Rear 3GR Black w/ EXPOBAR Branding
6B	1264516	Glass Panel Rear 3GR Transparent (for Custom Branding)

ONYX *Pro* 2Gr & 3Gr

Drawing



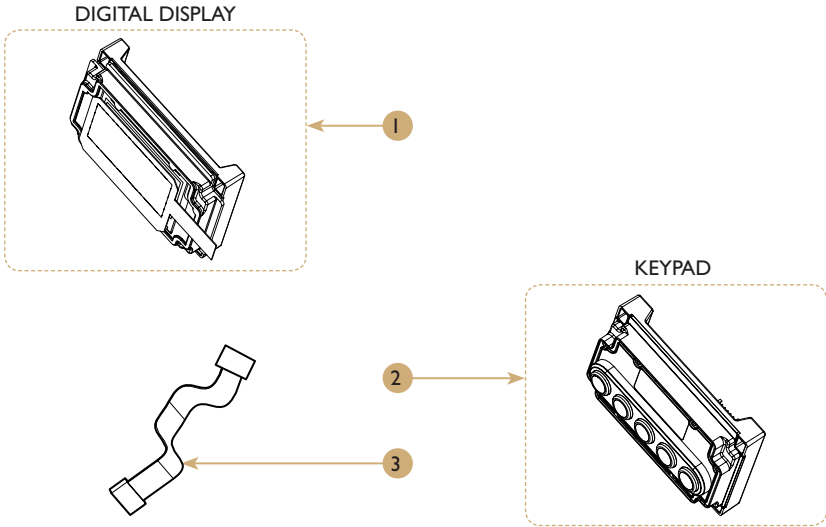
ONYX *Pro* 2Gr & 3Gr

## Spare Parts List

POS.	Part No.	Description
1	1264519	Hook Drip Tray
2	1660176	PCB Orchestra
3	1660160	Expansion Board LED
4	1264518	PCB Box Support Premium
5	1660161	LED Panel Side
6	1660162	LED Panel Rear 2GR
7	1660163	LED Panel Rear 3GR
8	60800101	Static Relay 3-32V
9	60800103	Relay Protection Cover
10	10200150	Thermal Cut-out 3 Pole with bulb
11	1264261	Cover EGO 3 Pole
12	60901001	Pilot Light
13a	60900001	Power Switch 1 Phase
13b	60900010	Power Switch 3 Phase
14	1264511	Main Switch Red ON
15	1264510	Switch Handle Black

ONYX *Pro* 2Gr & 3Gr

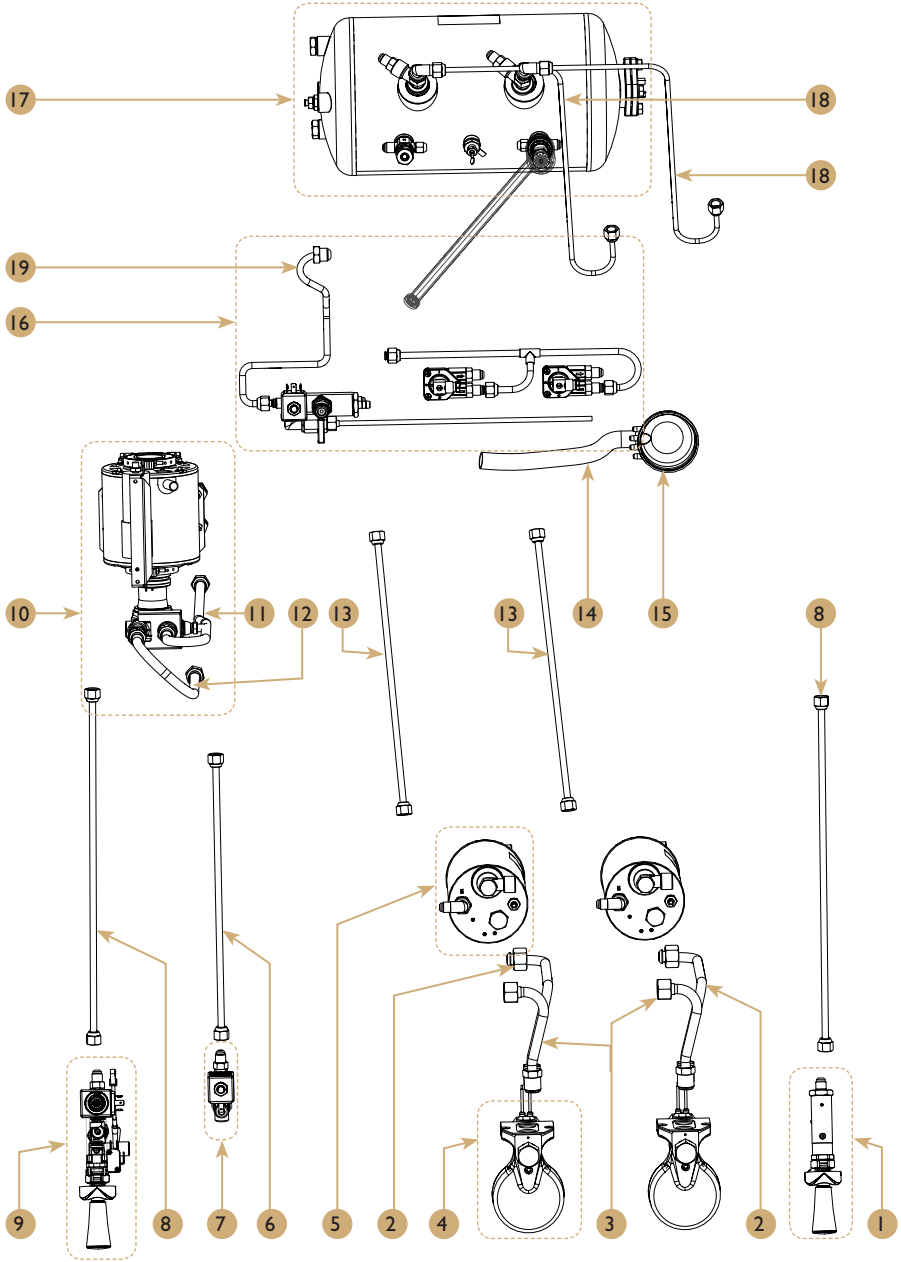
Drawing & Spare Parts List



POS.	Part No.	Description
1	1660179	Digital Display Premium
2	2760335	Keypad Assembly Premium
3a	60100036	L.1100mm Touch Pad Cable
3b	60100285	Flat Wire Pin 8*2W FEM.1300
3c	60100290	Flat Wire Pin 5*2W FEM.1550
3d	60100242	Flat Wire Pin AMP2 4W FEM.700
3e	60100282	Flat Wire Pin AMP2 8W FEM.300

ONYX *Pro*-2Gr

Drawing



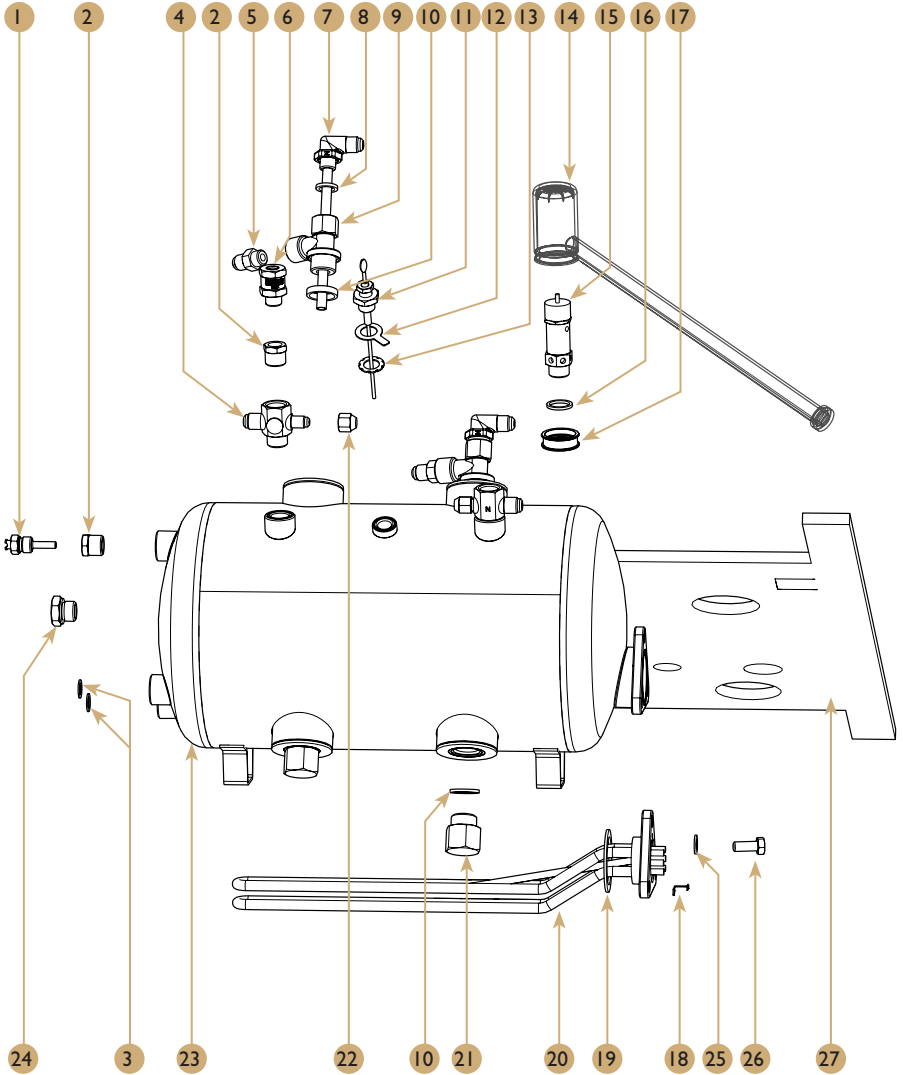
ONYX *Pho*-2Gr

## Spare Parts List

POS.	Part No.	Description
1	see separate drawing	Steam Tap
2	352101028	Pipe Group Return
3	35110115	Pipe Group Inlet
4	see separate drawing	Group
5	see separate drawing	Group Boiler
6	35110113	Hot Water Pipe
7	see separate drawing	Hot Water Tap
8	35040117	Turbo Steamer Pipe
9	see separate drawing	Turbo Steamer Tap
10	see separate drawing	Pump
11	35900020	Flexible Hose 30cm
12	35900180	Flexible Hose 180cm
13	35110113	Steam Pipe
14	35900010	Waste Tube 1.5M
15	70001000	Drain Cup
16	see separate drawing	Manifold
17	see separate drawing	Boiler
18	35020010	Water Tube
19	1364120	Tube Inlet Boiler Multiboiler D8

ONYX *Pho*-2Gr

Drawing



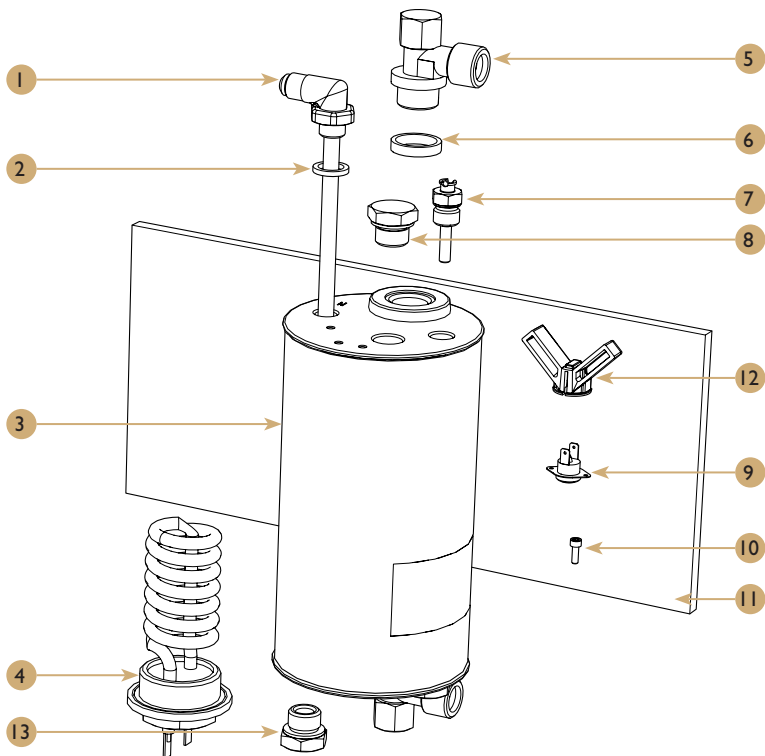
ONYX *Pho*-2Gr

## Spare Parts List

POS.	Part No.	Description
1	60100076	Temp Probe + Susp. Steam Pipe
2	30000003	Reducer Male-Female 3/8 - 1/4
3	50010050	3/8 Teflon Gasket
4	30000100	2 Track Adapter 1/4 * 1/4 * 1/8
5	30000510	Conical Adaptor 1/4*1/4
6	65000200	Non-suction Valve
7	30000220	Conical Bend Adaptor 1/4 X 1/4
8	50010020	13.2*18.2*2.5 1/4 Teflon Gasket
9	30000210M	Thermics Adaptor 1/2X1/4X1/4
10	50010010	21.1*25.7* 1/2 Teflon Gasket
11	60100040	Water Level Probe 1/4
12	25000003	Ground Washer
13	25679812	M12 Washer
14	1560003	Safety Valve Protector
15	65000110	3/8 Safety Valve
16	50010080	Gasket Tap Steam/Water Teflon
17	1364084	Safety Valve Hold Washer
18	1364062	Clip EGO
19	50010030	40*52*2 Element Teflon Gasket
20	38045000F	Element 4500W 230V with Fuse
21	30200035	Long Plug 1/2
22	30000315	Blind Plug 1/8 Female
23	15100020	Boiler 2Gr 11 Litre
24	30000290	Plug M 3/8
25	25012530	Flat Washer M-8 DIN-125
26	25093320	Hexgonal Head Screw 8x20 DIN 933
27	1260004	Insulation Boiler` 2Gr

ONYX *Pho*-2Gr & 3Gr

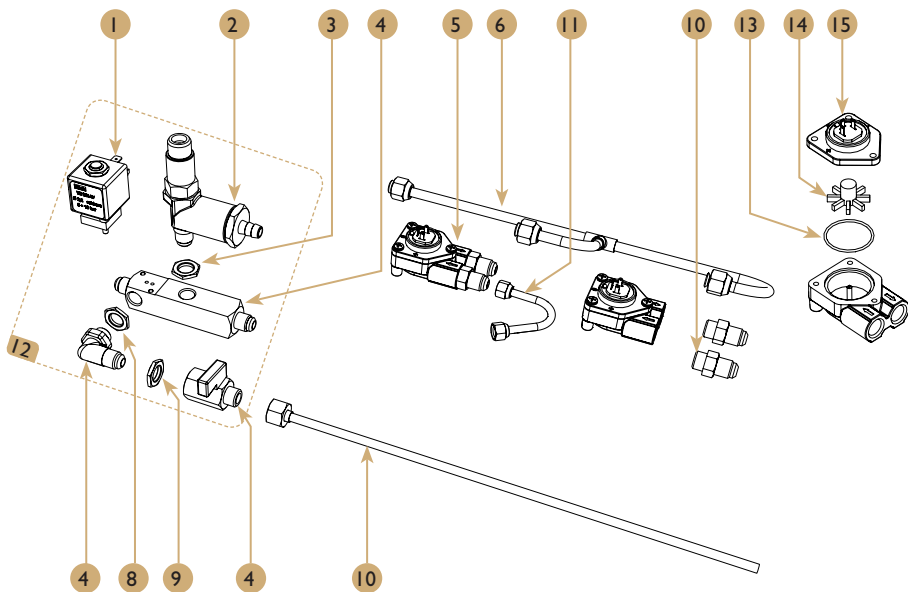
Drawing & Spare Parts List



POS.	Part No.	Description
1	30000220	Conical Bend Adaptor 1/4 X 1/4
2	50010020	13.2*18.2*2.5 1/4 Teflon Gasket
3	1500010	Cup Grill of High Group
4	38012000F	1200W-230V Element with Fuse
5	30000200	Thermics Stainless Adaptor 1/2 X 1/2
6	50010010	21.1*25.7* 1/2 Teflon Gasket
7	60100076	Temp Probe + Susp. Steam Pipe
8	30000290	Plug M 3/8
9	10200110	Thermostat
10	25091210	Allen Screw 4x12 din-912
11	1260017	Insulation Boiler Office
	1560004	Thermostat Cover
13	30000300	Blind Plug 1/4 Male

ONYX *Pho*-2Gr

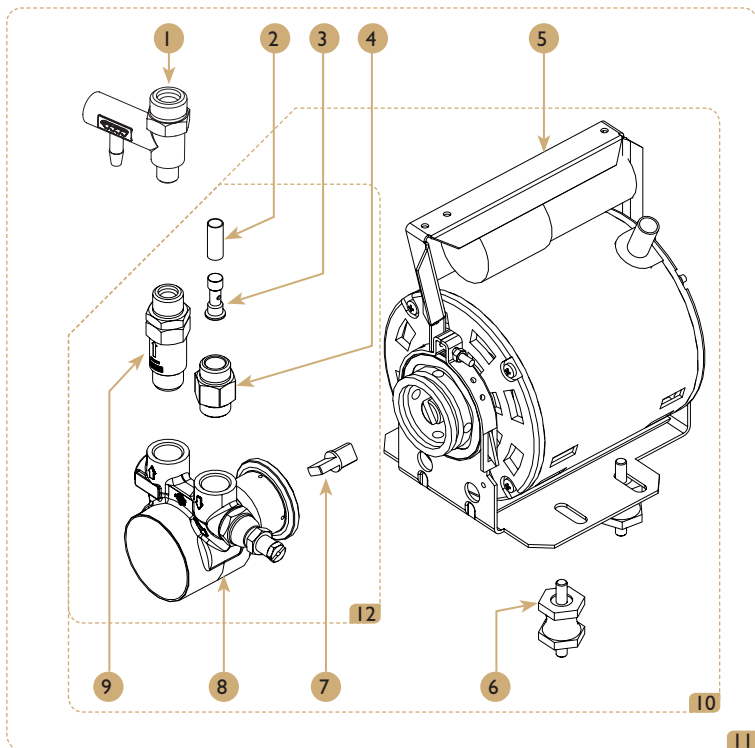
Drawing & Spare Parts List



POS.	Part No.	Description
1	60000105	50/60HZ 220V Solenoid Electrovalve
2	65000031	Expansion Valve
3	30100010	Hex Nut
4	30100033	Distributor
5	60100045	Flowmeter
6	1364118	Tube Distributor 2Gr
7	30000215	Conical Bend Adaptor 1/4 X 1/4
8	15000310	Drain Tap
9	35110012	Boiler Drain Pipe 2Gr
10	30000510	Conical Adaptor 1/4*1/4 Electron
11	35040103	Volumetric Tube
12	ESC00093	Water Splitter
13	60102040	Flow Meter Lid
14	60102010	Frontal Botonera Elen
15	60102020	O-ring Flowmeter

## All versions

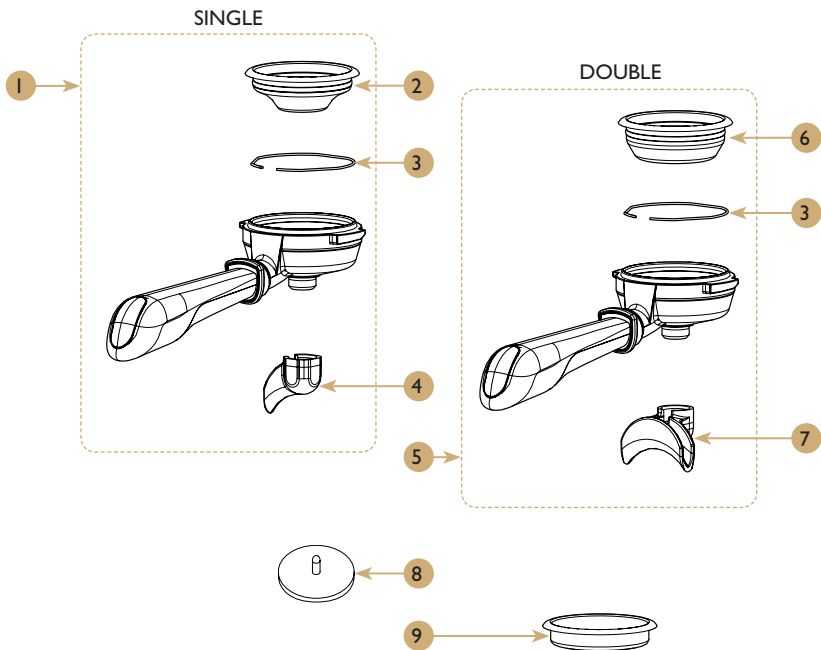
## Drawing



POS.	Part No.	Description
1	30400055	Pump Bypass Condor (for MINI and MINI+ only)
2	30100100	Inlet Water Filter Holder
3	70000009	Tubular Group Filter
4	30000240	Pump Adaptor 3/8 X 3/8
5	60000016	Motor 230V/50HZ
6	50100000	Silent Block
7	30000019	Cardan Joint
8	60000030	Pump Head
9	65000010	Retention Valve 3/8*1/8 (Min-Mon-Ec)
10	ESC00010	Pump complete
11	ESC000EC0	Pump complete / Bypass
12	ESC00015	Pump Head Complete

All versions

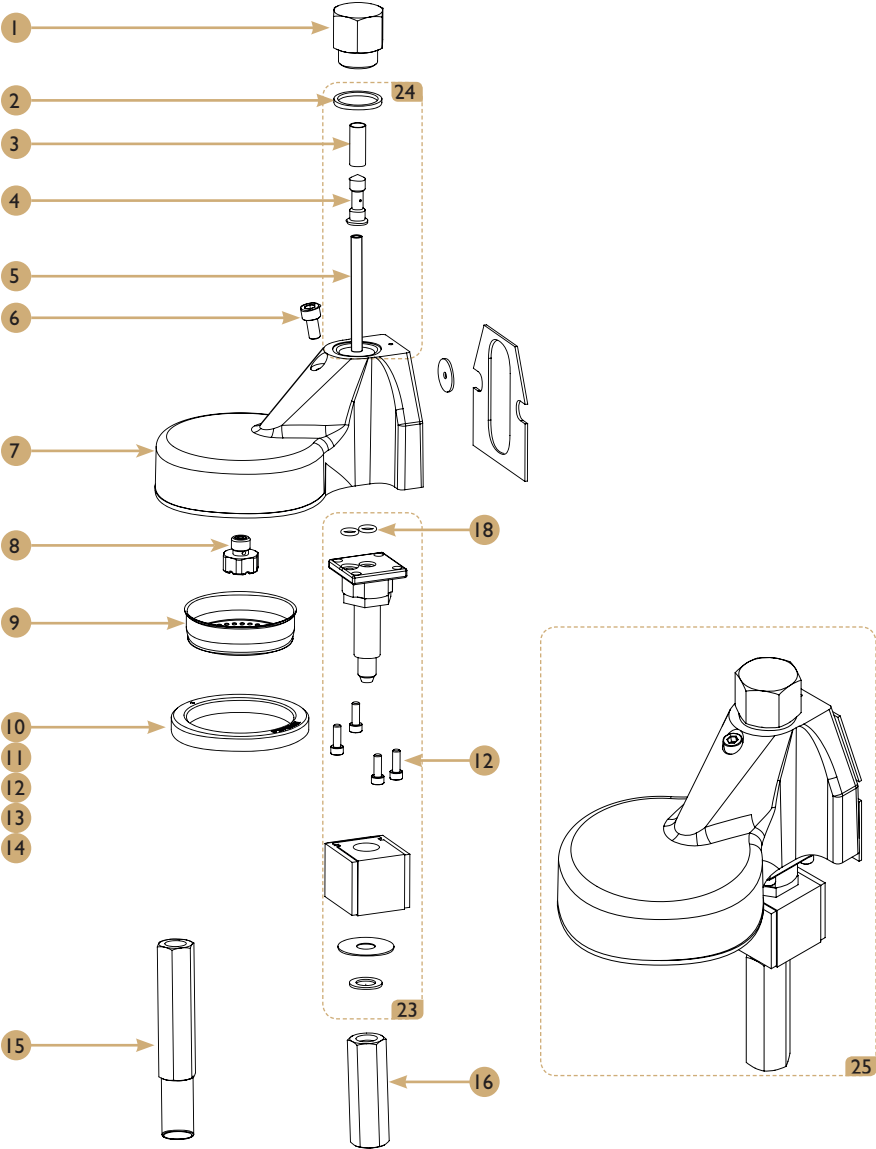
Drawing & Spare Parts List



POS.	Part No.	Description
1a	75001510	Filter Handle Assy 1 Cup
1b	75001511	Filter Handle Assy 1 Cup PTFE Coated (Teflon-coated)
2a	75000031	1 Cup Filter (7gr)
2b	75000037	1 Cup Filter (6.5gr)
2c	75000059	1 Cup Filter (6gr)
3	75000120	Filter Spring
4	75000050	Spout 1 Cup
5a	75002510	Filter Handle Assy 2 Cup
5b	75002511	Filter Handle Assy 2 Cup PTFE Coated (Teflon-coated)
6	75000041	2 Cup Filter (14gr)
7	75000060	Spout 2 Cup
8	75000000	Blind Rubber Filter
9	75000020	Blind Metal Filter

All versions

Drawing



## All versions

## Spare Parts List

POS.	Part No.	Description
1	30200035	Long Plug 1/2 Group
2	50010040	21.7*25.7*2 G/C-G Teflon Gasket
3	70000009	Group Teflon Injector Rev3
4	30200061	Group Teflon Injector Rev3
5	30200026	Tefl Water Reduc. Holder 4X6x65
6	25091250	Allen Screw 6*10 Din-912 Group
7	30200010	Crem Brewing Group Body
8	30200040	Diffuser
9	75000010	Shower
10	75000081	8mm Group Head Gasket
11	75000083	Filter 8.5MM
12	75000085	Filter 9Mm
13	75000090	Extra Seal For Gasket 0.5mm
14	75000095	Extra Seal For Gasket 1mm
15	30000043	High Group Brewing Group Thread
16	30000040	Brewing Group Thread
17	25091210	Allen Screw 4X12 DIN-912
18	50000100	O-Ring 6.07X1.78 Fkm Fda
19	50000010	Green Body Flat Group Joint
20	50020000	3.5*18.2*2 Teflon Hot Water Reducto
21	50020020	Chicle Teflon 2'5 (2'5X18'2X2)
22	50020010	Chicle Teflon 2 (2X18'2X1)
23a	60000112	Gro Head Electrov. Parker 220V
23b	65000115	Safety valve C 10/A - 3/8 NGI
24	ESCS0001	Gro Head Electrov. Parker 120V
25	15000050	Group Espresso Preass

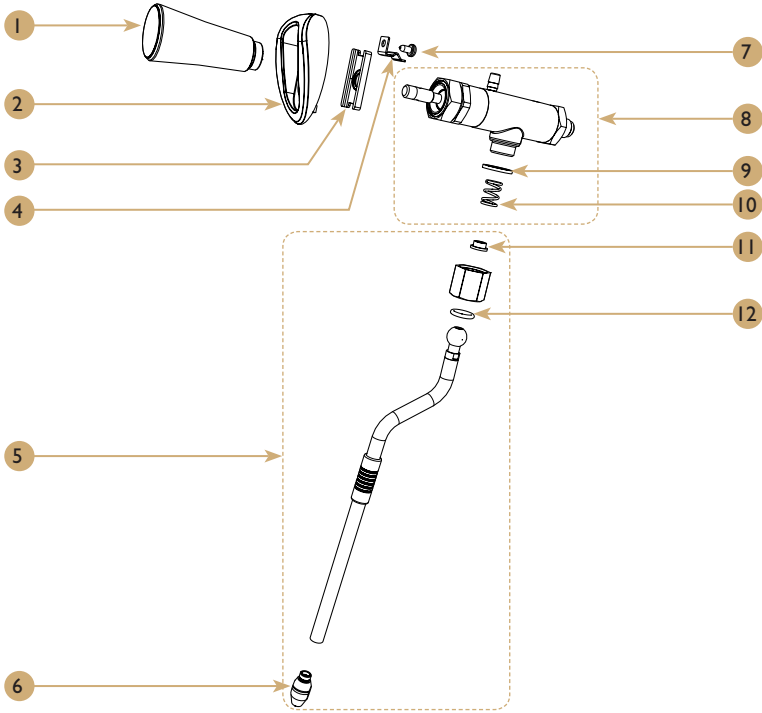
**Note:**

Sets C60000112 and C60000115 do not include no. 17 screws.  
The CESC50000 set is designed for threaded group bodies (models prior to 2004).

Pos. 13/14 can be used for old and worn out seals/group heads to ensure proper sealing.

ONYX *P<sub>HO</sub>*-2Gr & 3Gr

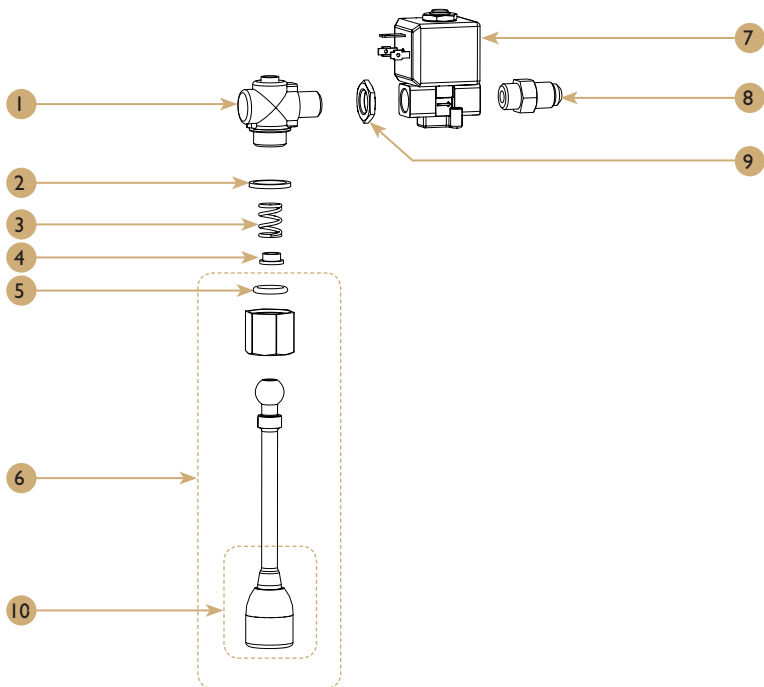
Drawing



POS.	Part No.	Description
1	1264565	Steam Tap Lever Cone
2	1264521	Cover Steam Lever
3	1264522	Inner Cover Steam Lever
4	262042	Clip Steam Lever
5	1364101	Steam Tap Tube Premium (incudes 3Hole Nozzle)
6a	30370195	Nozzle Steam Tap 3Hole M8.5 w/ O-ring
6b	30370180	Nozzle Steam Tap 4Hole M8.5 w/ O-ring
7	25798136	Screw M4*8 Self-tapping Pan SUS
8	15000338	Tap Body and Steam Knob
9	50010080	Gasket Tap Steam/Water Teflon
10	30370076	Spring Steam/Water Tap
11	30370077	Gasket Tap Steam/Water Brass
12	30370075	O-Ring 12.1x2.7mm

ONYX *Pro* 2Gr & 3Gr

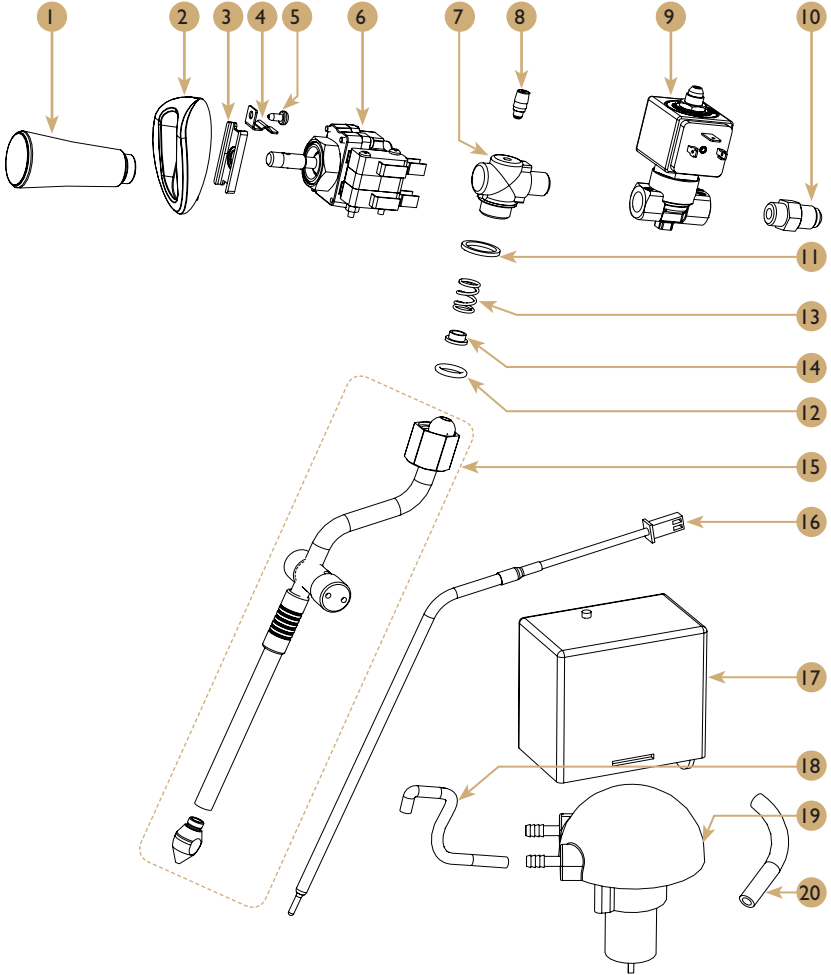
Drawing



POS.	Part No.	Description
1	30000236	Elbow G1/4XG3/8
2	50010080	Gasket Tap Steam/Water Teflon
3	30370076	Spring Steam/Water Tap
4	30370077	Gasket Tap Steam/Water Brass
5	30370075	O-Ring 12.1x2.7mm
6	35010056	Hot Water Pipe Take Away
7	60000100	1/4 x 1/4 Electrovalve Parker 220V
8	30000510	Conical Adaptor 1/4*1/4 Electron
9	30100010	Hex Nut
10	30000050	Nozzle Water Tap Complete

ONYX *Pro* 2Gr & 3Gr (Option)

Drawing



ONYX *Pro* 2Gr & 3Gr (Option)

## Spare Parts List

POS.	Part No.	Description
1	1264565	Steam Tap Lever Cone
2	1264521	Cover Steam Lever
3	1264522	Inner Cover Steam Lever
4	262042	Clip Steam Lever
5	25798136	Screw M4*8 Self-tapping Pan SUS
6	2760412	Turbo Steamer Switch Assy
7	30000235	Male Adapter 1/4*3/8*M-5 Water
8	30500005	Male Hose Adapter Elow
9	60000120	Turbo Steamer Electrovalve
10	30000510	Conical Adaptor 1/4*1/4 Electronic
11	50010080	Gasket Tap Steam/Water Teflon
12	30370075	O-Ring
13	30370076	Male Hose Adapter Elow
14	30370077	O-Ring
15	2760363	Steam Tap Assembly Premium TS
16	1660177	Temp Probe 125°C
17	60100049	Adjustable Unit Trimmer
18	35021000	Silicon Hose DIA4*7mm
19	60000049	Peristaltic Pump
20	35021011	Silicone tube for pump