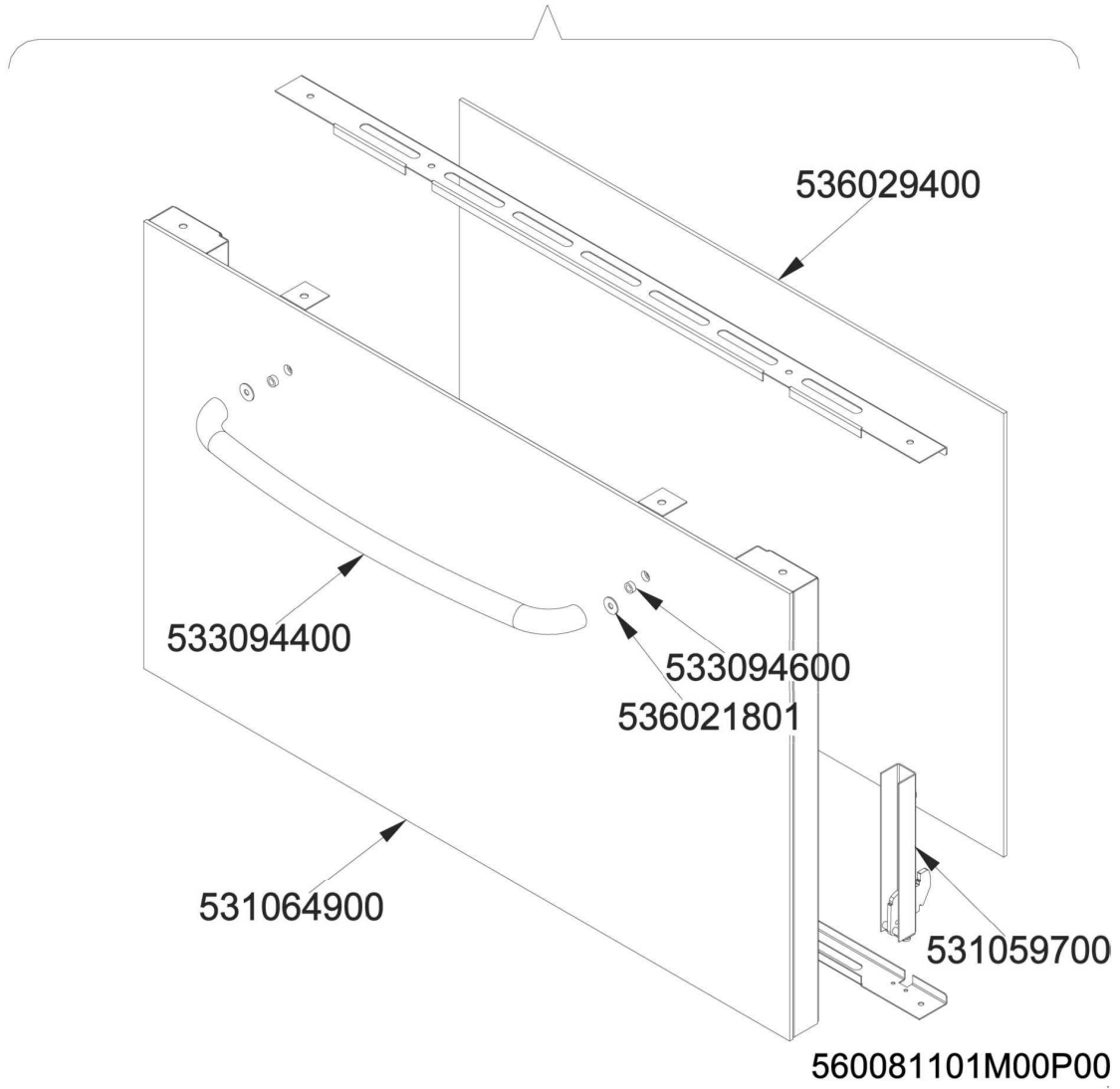
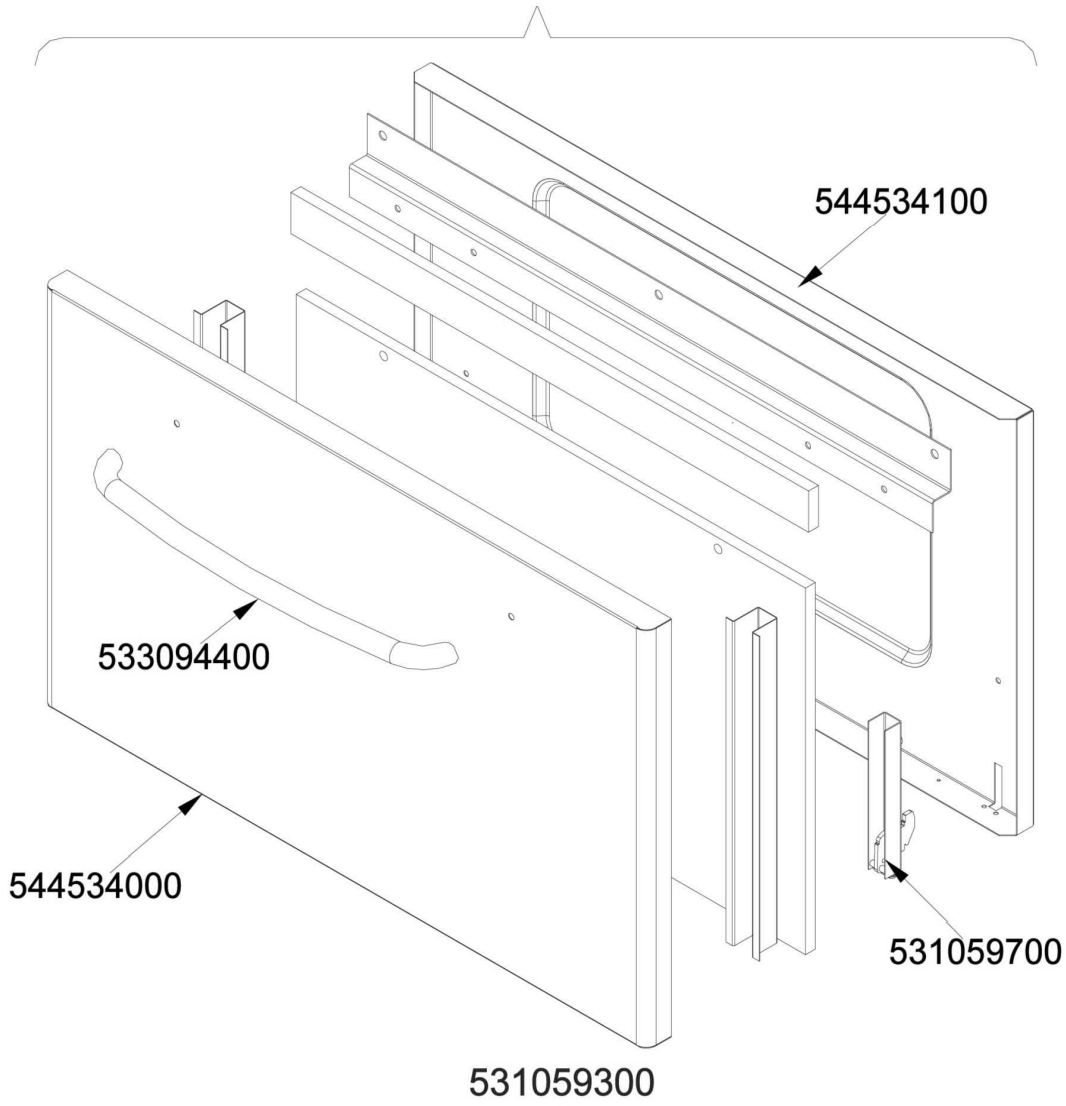
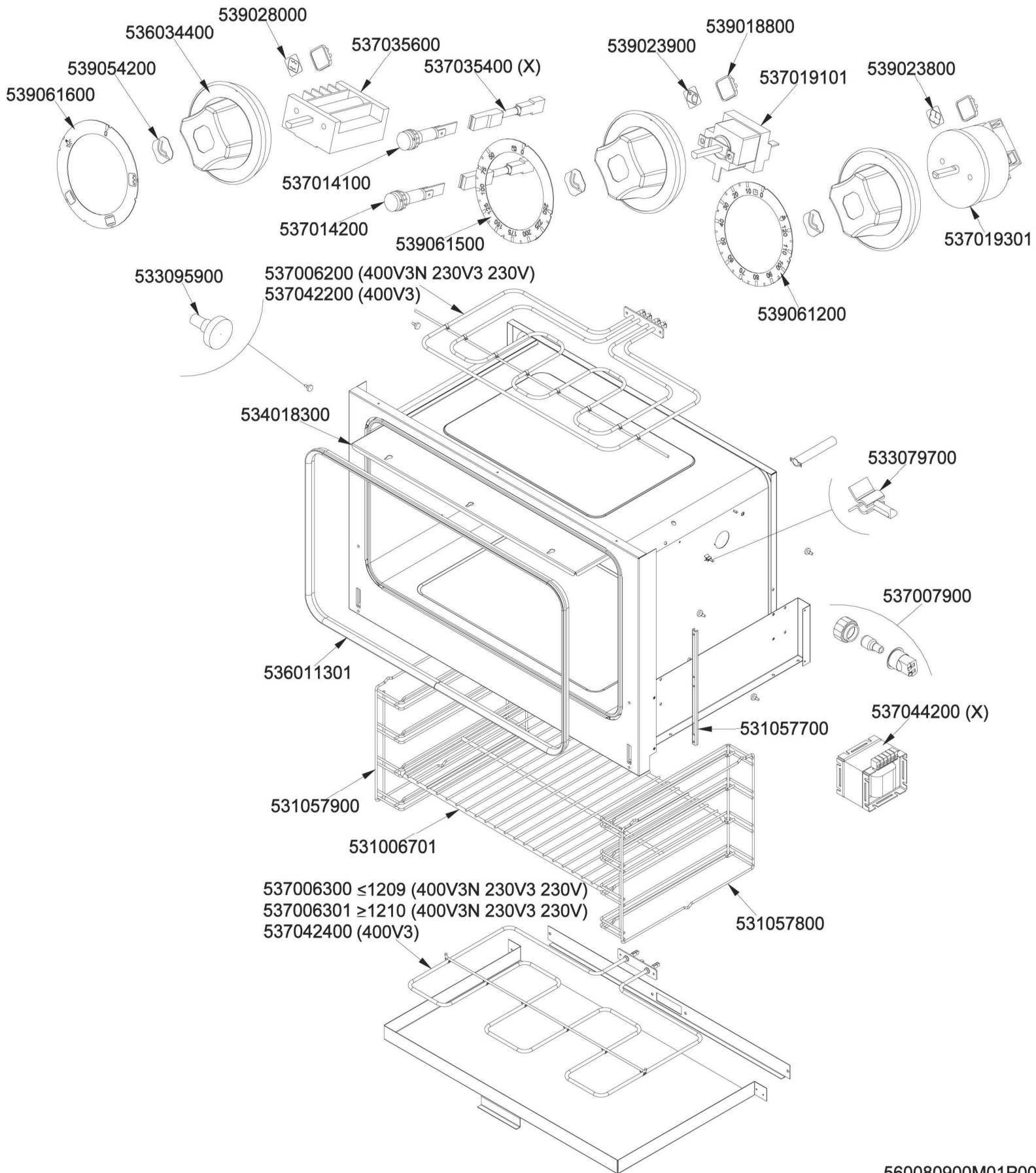
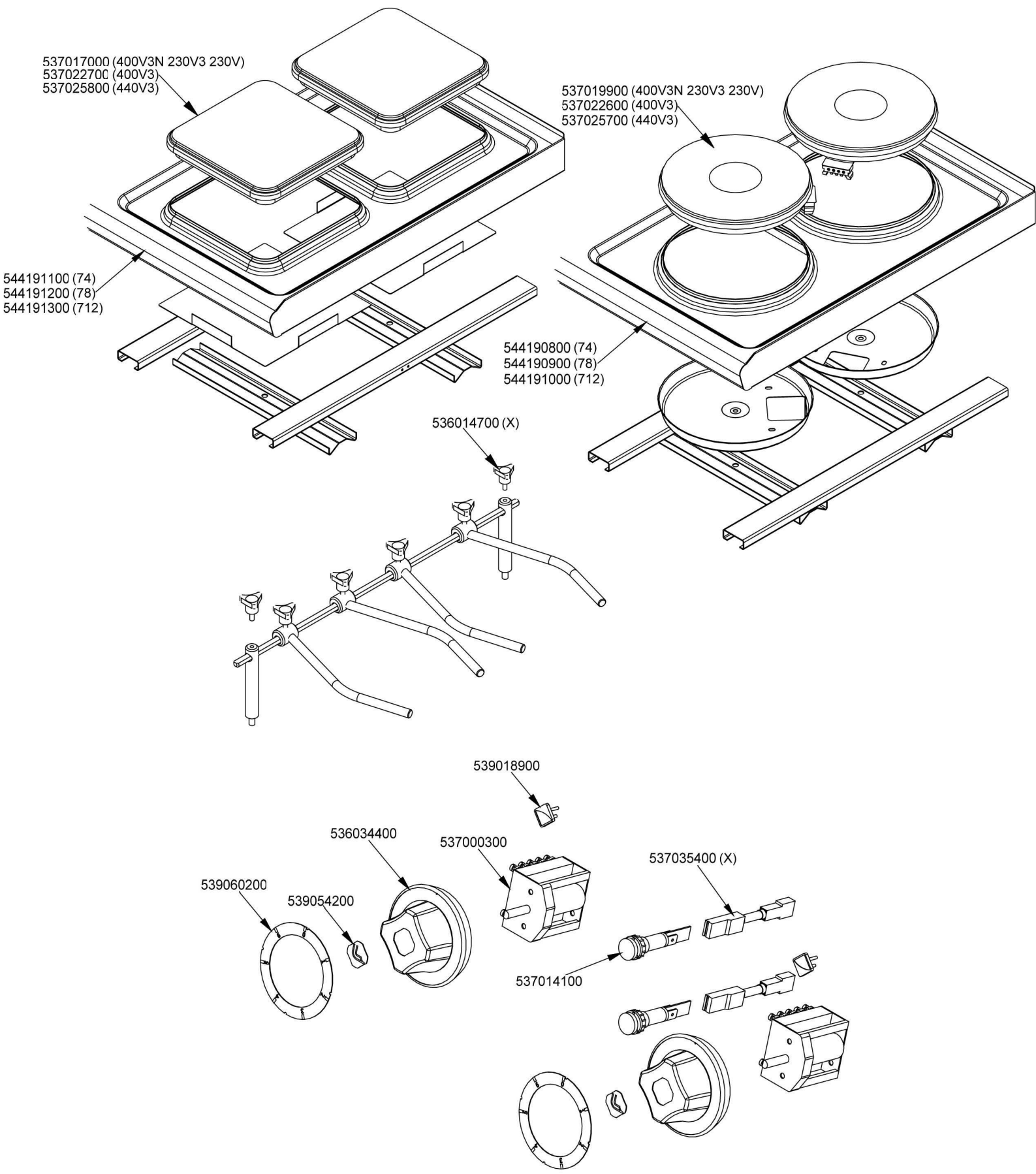


531059201







| Page | Pos | Code | Description |
|------|-----|-----------|-------------------------------------|
| 001 | | 537012100 | SECURITY THERMOSTAT SINGLEP.165°C |
| 001 | | 537044600 | ELECTRICAL PLATE D.145 W1500 V400 |
| 001 | | 537019800 | ELECTRICAL PLATE D.180 W2000 V230 |
| 001 | | 537044400 | ELECTRICAL PLATE D.180 W2000 V400 |
| 001 | | 541198500 | CONTROL PANEL 60T CF4-6 8 E |
| 001 | | 544540300 | |
| 001 | | 541194400 | CONTROL PANEL 607090 CF4-6 8 E |
| 001 | | 537027400 | TERMINAL BLOCK THREEPHASE 40A |
| 001 | | 544540200 | |
| 001 | | 531048400 | INOX LEG Ø1"3/4 100-165 M10 |
| 002 | | 531059201 | COMPLETE S/S DOOR FOR MAXI 600 OVEN |
| 002 | | 544534100 | INNER DOOR OF MAXI OVEN OF 60T-LINE |
| 002 | | 533094400 | S/S OVEN DOOR HANDLE FOR 60T-LINE |
| 002 | | 544534000 | S/S DOOR FOR MAXI OVEN OF 60T LINE |
| 002 | | 531059700 | DOOR HINGE FOR MAXI OVEN 60.LINE |
| 002 | | 531059300 | OVEN DOOR * S60T 68 GLASS C. |
| 002 | | 536029400 | INTERNAL GLASS OVEN DOOR MAXI |
| 002 | | 533094600 | BUSH P.F. 60-LINE |
| 002 | | 536021801 | DOOR HANDLE SPACER FOR MAXI OVEN |
| 002 | | 531064900 | EXTERNAL GLASS MAXI OVEN DOOR+FRAME |
| 003 | | 539061600 | ADESIVE DISK FOR SWITCH OVEN S60 |
| 003 | | 539054200 | STAMP Ø20,5 CR."L" LOTUS R. |
| 003 | | 536034400 | KNOB §77 4P. §06*4,6 C/M |
| 003 | | 539028000 | SELECTOR SIGN PLATE FOR OVEN |
| 003 | | 537035600 | OVEN COMMUTATOR * EL. 60+65LINES |
| 003 | | 537035400 | HEATING ELEMENT 00003W 330KOHM W/F |
| 003 | | 539023900 | SIGN PLATE FOR OVEN TEMPERATURE |
| 003 | | 539018800 | BLANK INDEX FOR KNOB |
| 003 | | 539023800 | LABEL FOR OVEN TIMER |
| 003 | | 537019101 | THERMOSTAT MONOPHAS.050-320°C F.MF |
| 003 | | 533095900 | PIN FOR GRIDSHOLDER SUPPORT CF 60 |
| 003 | | 537014100 | WHITE WARNING LIGHT 250V |
| 003 | | 537014200 | GREEN WARNING LIGHT 250V |
| 003 | | 537006200 | UPPER OVEN HEATING EL.3000W 230V |
| 003 | | 537042200 | UPPER OVEN HEATING EL.1000+2000W |
| 003 | | 539061200 | ADHESIV.DISK FOR TYMER EL. OVEN |
| 003 | | 537019301 | TIMER ELECT.120' 4 T.F. MF |
| 003 | | 534018300 | KNOB PROTECTION FOR MAXI CF 60T |
| 003 | | 533079700 | LOCK SPRING FOR BULB §3/§4 |
| 003 | | 536011301 | GASKET FOR MAXI 60T-OVEN L=1980 |
| 003 | | 537007900 | OVEN BULB-SOCKET WITH LAMP |
| 003 | | 537044200 | TRANSFORMER 400V/440V-230V 100VA |
| 003 | | 531057700 | DOOR WHEEL HOLDER F.MAXI OVEN 60T |
| 003 | | 531057900 | LHD GRIDS HOLDER FOR MAXI-OVEN |
| 003 | | 531006701 | MAXI OVEN GRID FOR S60/65 |
| 003 | | 537006300 | LOWER OVEN HEATING EL.W1600 230CF8/ |
| 003 | | 537006301 | COVERED HEATING ELEMENT MAXI OVEN |
| 003 | | 537042400 | LOWER OVEN HEATING EL.W1600 440V |
| 003 | | 531057800 | RHD GRIDS HOLDER FOR MAXI-OVEN |
| 003 | | 539061500 | ADESIVE DISK OVEN THERMOSTAT S60 |
| 004 | | 537017000 | PLATE 220X220 W2600 V230 |

| Page | Pos | Code | Description |
|------|-----|-----------|-------------------------------------|
| 004 | | 537022700 | ELECTRICAL PLATE 220X220 W2600 V400 |
| 004 | | 537025800 | PLATE 220X220 W2600 V440 |
| 004 | | 537019900 | PLATE D.220 W2600 V230 |
| 004 | | 537022600 | ELECTRICAL PLATE D.220 W2600 V400 |
| 004 | | 537025700 | ELECTRICAL PLATE D.220 W2600 V440 |
| 004 | | 544191100 | UPPER PLATE PC-74E SQUARE PLATE |
| 004 | | 544191200 | UPPER PLATE PC-78E SQUARE PLATE |
| 004 | | 544191300 | UPPER PLATE PC-712E SQUARE PLATE |
| 004 | | 544190800 | UPPER PLATE PC-74E ROUND PLATE |
| 004 | | 544190900 | UPPER PLATE PC-78E ROUND PLATE |
| 004 | | 544191000 | UPPER PLATE PC-712E ROUND PLATE |
| 004 | | 536014700 | 3 DRILL WHEELS |
| 004 | | 539060200 | RED ADESIVE DISK FOR PC-E |
| 004 | | 539054200 | STAMP Ø20,5 CR. "L" LOTUS R. |
| 004 | | 536034400 | KNOB §77 4P. §06*4,6 C/M |
| 004 | | 537000300 | COMMUTATOR 7 POSITIONS S.49 16A |
| 004 | | 539018900 | INDEX FOR KNOB W/RED SIGN |
| 004 | | 537035400 | HEATING ELEMENT 00003W 330KOHM W/F |
| 004 | | 537014100 | WHITE WARNING LIGHT 250V |