



Würfeleisbereiter, Vollkegel, Luftk., 28 kg/24 h, 9 kg Speicher, Ablaufpumpe

Artikel-Nr.
711092 (CB249AHCDP)

Explosionszeichnung / Ersatzteile

Bitte bei Ersatzteilbestellung immer Artikelnummer und
Seriennummer mit angeben!



CB 249 HC

LIST OF THE EXPLODED VIEWS



SHELL ASSY CB 249A HC / CB 249W HC

SHELL ASSY CB 249A HC Drain Pump

COOLING SYSTEM

HYDRAULIC CIRCUIT CB 249A HC / CB 249W HC

HYDRAULIC CIRCUIT CB 249A HC Drain Pump

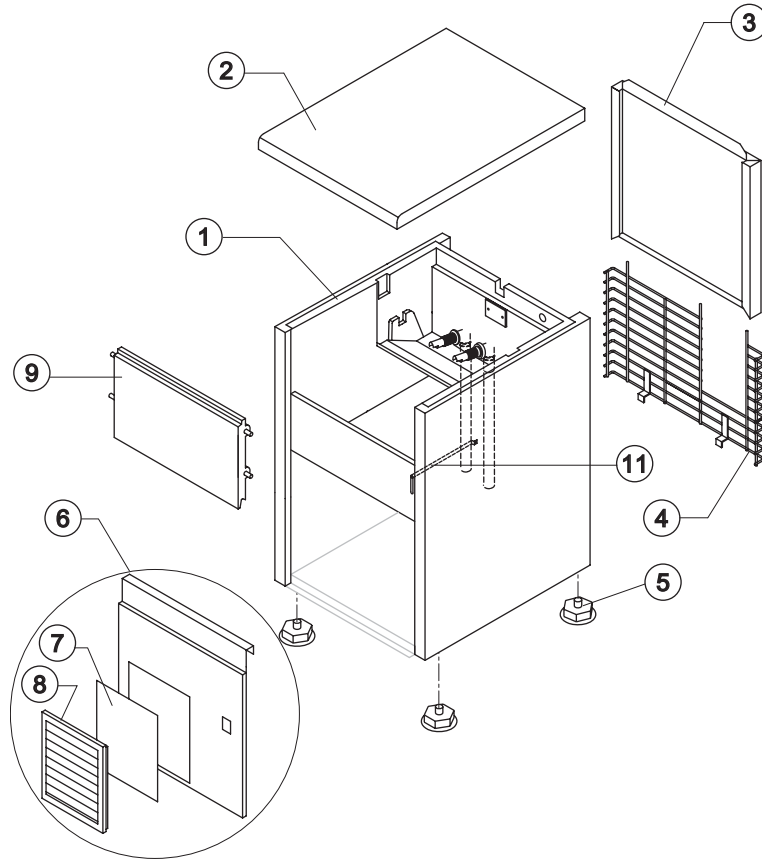
ELECTRIC PARTS



CB 249 HC

SHELL ASSY

CB 249A HC/ CB 249W HC



Ref.	Spare Description	Code
1	Foamed Cabinet Assy	See Table
2	Top Assembly	C22693
3	Rear Panel Assembly	C21181
4	Rear Grid	D12002
5	Foot M10	10557
6	Front Grid Panel	Current Version C221702
6	Front Grid Panel	Till s/n. 881851 C22506
7*	Filtering Panel	18106
8	Frame + Grid & Filter	C10205
9	Door Assembly	C10303
11	Bulb-holder Pipe	20520

Ref. 1 - Foamed Cabinet Assy

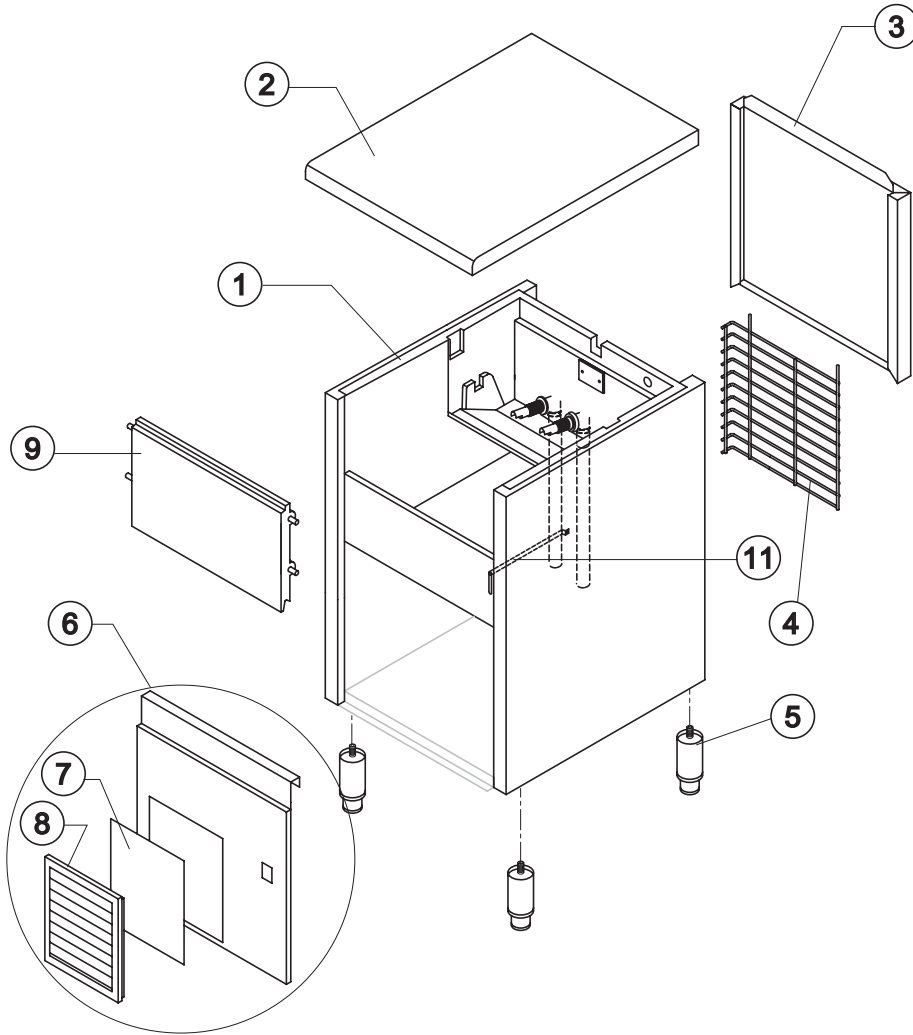
Condensation	Code
Air	C11226A
Water	C11226W

Rev. 01 - 15/05/2018



CB 249 HC

SHELL ASSY CB 249A HC DP



Ref.	Spare Description	Code
1	Foamed Cabinet Assy	C11226DP
2	Top Assembly	C22693
3	Rear Panel Assembly	C21181
4	Rear Grid	D12100
5	Foot M10	10557
6	Front Grid Panel	Current Version C221702
6	Front Grid Panel	Till s/n. 881851 C22506
7*	Filtering Panel	18106
8	Frame + Grid & Filter	C10205
9	Door Assembly	C10303
11	Bulb-holder Pipe	20520

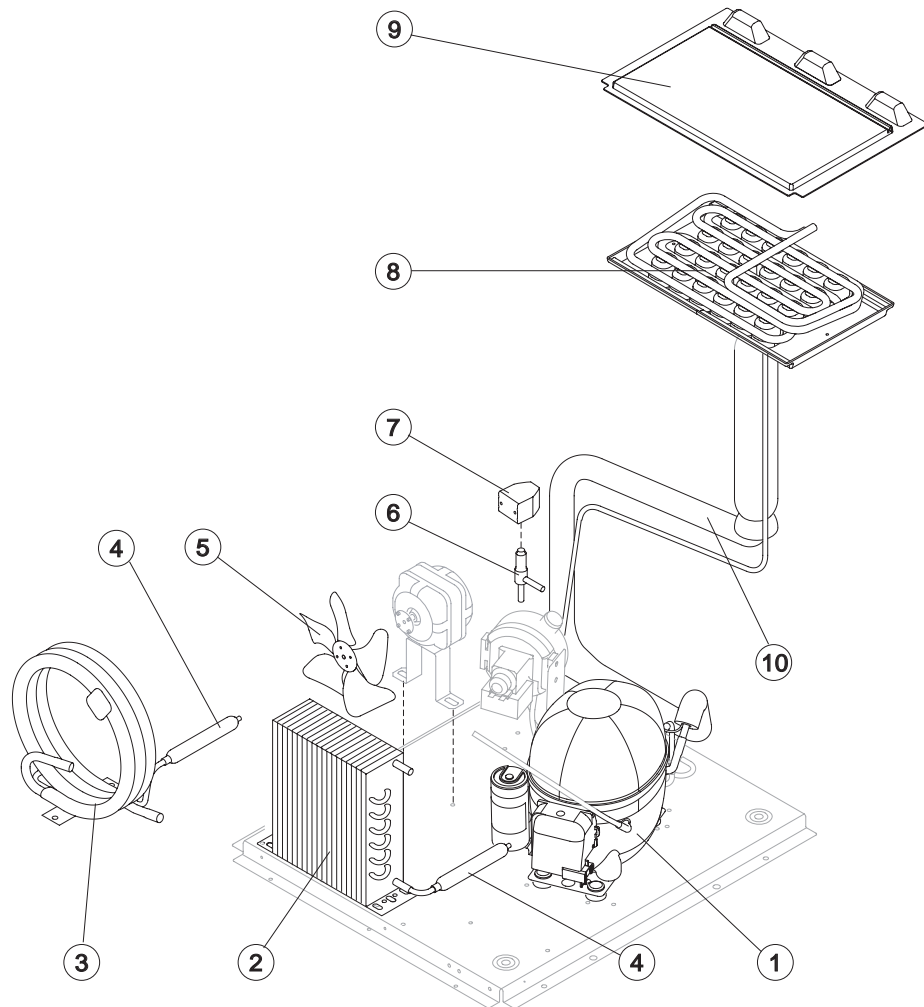
Rev. 01 - 15/05/2018



CB 249 HC

COOLING SYSTEM

CB 249A HC/ CB 249W HC / CB 249A HC DP



Common Parts

Ref.	Spare Description	Code
1	Compressor	231122
4*	Molecular Drier	14009
6*	Hot Gas Valve Body	Current Version 20853
6*	Hot Gas Valve Body	Till s/n. 892058 C201159
7*	Hot Gas Valve Coil	Current Version 23854
7*	Hot Gas Valve Coil	Till s/n. 892058 C201159
8	Evaporator	See Table
9	Evaporator Cover Panel	10451
10	Suctin Line	for the spare parts code give us the s/n.

Parts For Air-Cooled Version Only

Ref.	Spare Description	Code
2	Air Condenser	20534
5	Sucking Fan	20096

Parts For Water-Cooled Version Only

Ref.	Spare Description	Code
3	Water Condenser	14057
5	Sucking Fan	10213

Ref. 8 - Evaporator

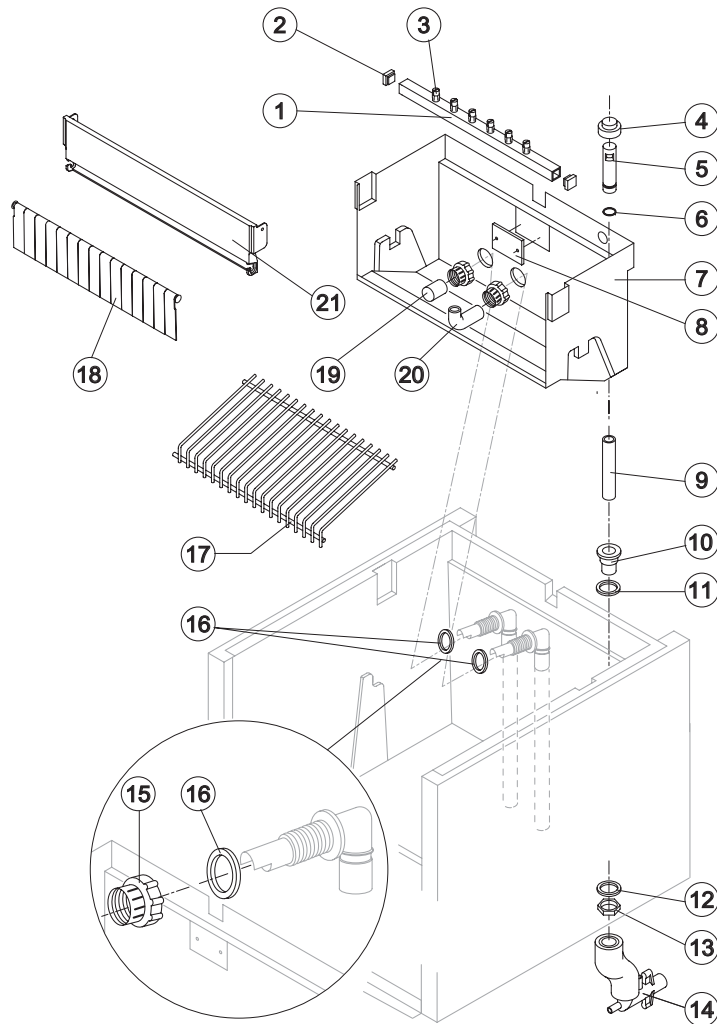
Kind of Cube	Code
18 g. (Standard)	D10045
33 g.	D10320
13 g.	D10416
42 g.	D10502



CB 249 HC

HYDRAULIC CIRCUIT

CB 249A HC/ CB 249W HC



Common Parts

Ref.	Spare Description	Code
1*	Sprayers Bar Assembly	See Table
2	Sprayer Bar Plug	10012
3	Spruzzatore	D20002
4*	Overflow Cap	10305
5*	Overflow Pipe	10133
6*	OR Gasket for Overflow Pipe	20233
7	Inner Basin	10252
8	Slide Keep Plate	10009
9*	Overflow Pipe	13106
10	Water Outlet Nipple	10472
11	Silicone Gasket	13006
12	Semirigid Polyethylene Gasket	13007
13	Bin Discharge Nut	10096
15	Fittings Locking Ring	10405
16	Gasket for Pump Suction/Delivery Pipes	13143
17	Ice Cubes Slide	See Table
18	Rod with Flags	C10533
19*	Pump Suction Filter	20005
20	Sprayers Feeding Pipe	13005
21	Flags ABS Support	10529

Parts for Air Cooled Version Only

Ref.	Spare Description	Code
14	Discharges Manifold	C10006

Parts for Water Cooled Version Only

Ref.	Spare Description	Code
14	Discharges Manifold	C26452

Ref. 1* - Sprayers Bar Ass.

Kind of Cube	Code
18 g. (Standard)	C20028
33 g.	C20530
13 g.	C20289
42g.	C20530

Ref. 17 - Ices Cube Slide

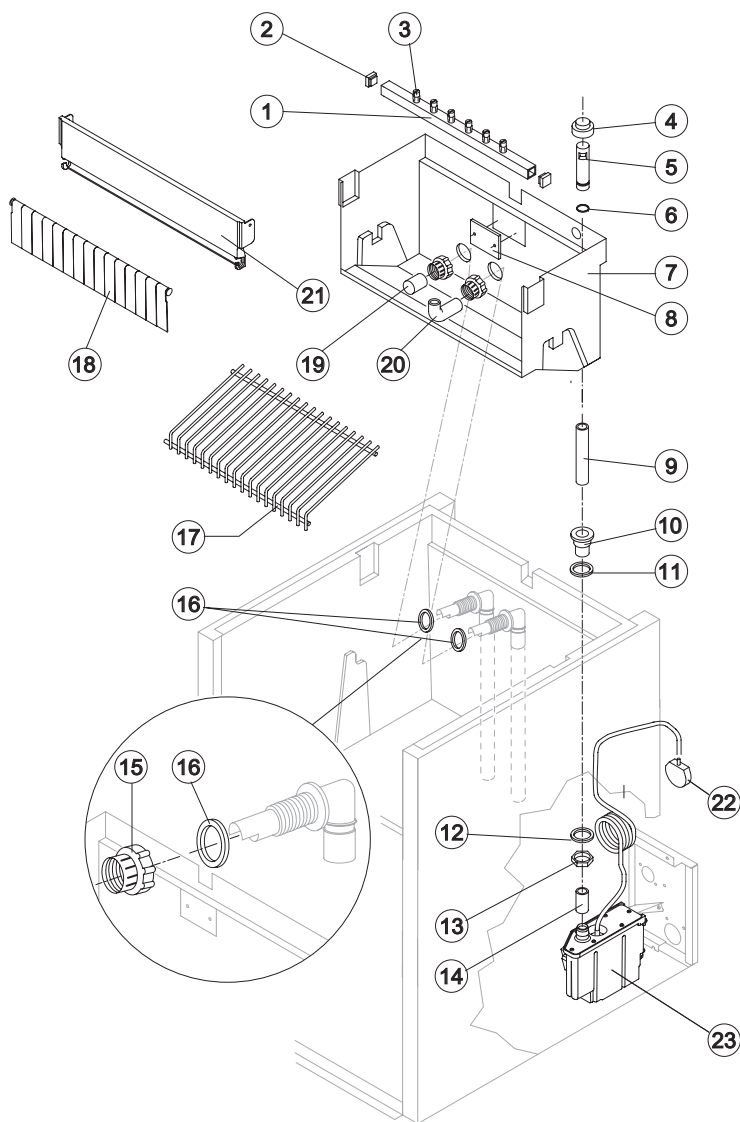
Kind of Cube	Code
18 g. (Standard)	D12001
33 g.	D12066
13 g.	D12046
42g.	D12066



CB 249 HC

HYDRAULIC CIRCUIT

CB 249A HC DP



Ref.	Spare Description	Code
1*	Sprayers Bar Assembly	See Table
2	Sprayer Bar Plug	10012
3	Spruzzatore	D20002
4*	Overflow Cap	10305
5*	Overflow Pipe	10133
6*	OR Gasket for Overflow Pipe	20233
7	Inner Basin	10252
8	Slide Keep Plate	10009
9*	Overflow Pipe	13106
10	Water Outlet Nipple	10472
11	Silicone Gasket	13006
12	Semirigid Polyethylene Gasket	13007
13	Bin Discharge Nut	10096
14	Bin Discharge-Drain Pump Connection	C13175080
15	Fittings Locking Ring	10405
16	Gasket for Pump Suction/Delivery Pipes	13143
17	Ice Cubes Slide	See Table
18	Rod with Flags	C10533
19*	Pump Suction Filter	20005
20	Sprayers Feeding Pipe	13005
21	Flags ABS Support	10529
22	Drain Pump Pressure Switch	C231230
23	Drain Pump	C231225

Ref. 1* - Sprayers Bar Ass.

Kind of Cube	Code
18 g. (Standard)	C20028
13 g.	C20289

Ref. 17 - Ices Cube Slide

Kind of Cube	Code
18 g. (Standard)	D12001
13 g.	D12046



CB 249 HC

ELECTRIC PARTS

CB 249A HC / CB 249W HC / CB 246A HC DP

9 Common Parts

Ref.	Spare Description	Code
3*	Bin Thermostat	R23005
4*	Evaporator Thermostat	R23591
5*	Timer	Till s/n. 881851
6*	Green Light Switch (On-Off)	Till s/n. 881851
9	Fan Motor	231041
10*	Pump Assy	C231016
12	Electronic Timer / On-Off (AWS)	Current Version

Parts for Air Cooled Version Only

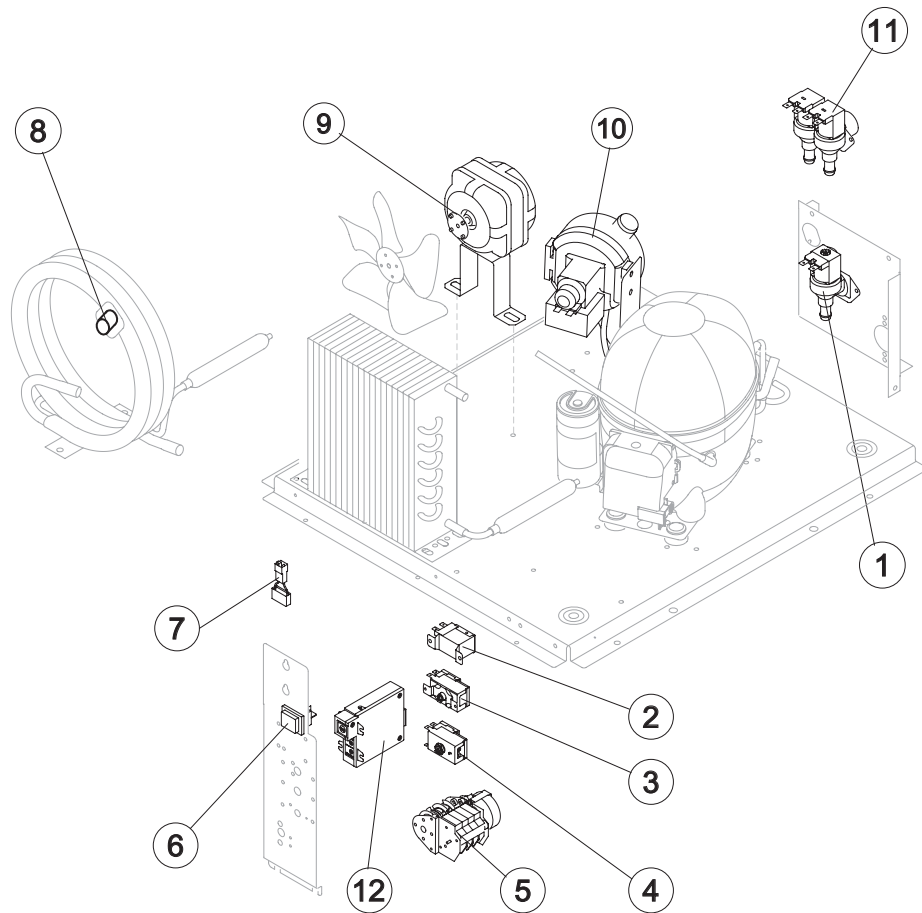
Ref..	Spare Description	Code
1*	1 Way- Water Inlet Valve	23497

Parts for Wayer Cooled Version Only

Ref..	Spare Description	Code
2*	Fan cycle switch	231123
7	Anti Radio Interference Filter	C23457
8*	Safety Thermostat	C23114
11*	2 Ways Water Inlet Valve	23542

Ref. 5* - Timer - till s/n. 881851

Voltage	18g Cube	33g Cube	13g Cube	42g Cube
T11	23222	23248	23247	23780



Rev. 01 - 15/05/2018