

GASHERDE 700 Reihe

TYP: 7PC/G400, 7PCV/G400, 7PC/G800, 7PCV/G800, 7PCF/G800, 7PCF/GE800, 7PC/G120, 7PCV/G120, 7PCF/G120, 7PCF/GE120, 7PC/G160, 7PCV/G160, 7PCF/G160, 7PCF/GE160, 7PC/G411, 7PCV/G411, 7PC/G811, 7PCV/G811, 7PCF/G811, 7PCF/GE411, 7PC/G121, 7PCV/G121, 7PCF/G121, 7PCF/GE121, 7PC/G161, 7PCV/G161, 7PCF/G161, 7PCF/GE161, 7PCFL/G120, Kit riscaldante

Ersatzteile



9. Ersatzteile

Aussenteile brenner und Warmeschränk.....	85
Aussenteile gas - und elektrobackofen.....	87
Brenner und gasleitungen für offene brenner.....	89
Brenner und gasleitungen für offene brenner.....	91
Hahn.....	93
Gasbackofenbestandteile	95
Bestandteile vom elektrobackofen und Warmeschränk	97
Elektrozündung.....	99

9.1 Spannungscodes

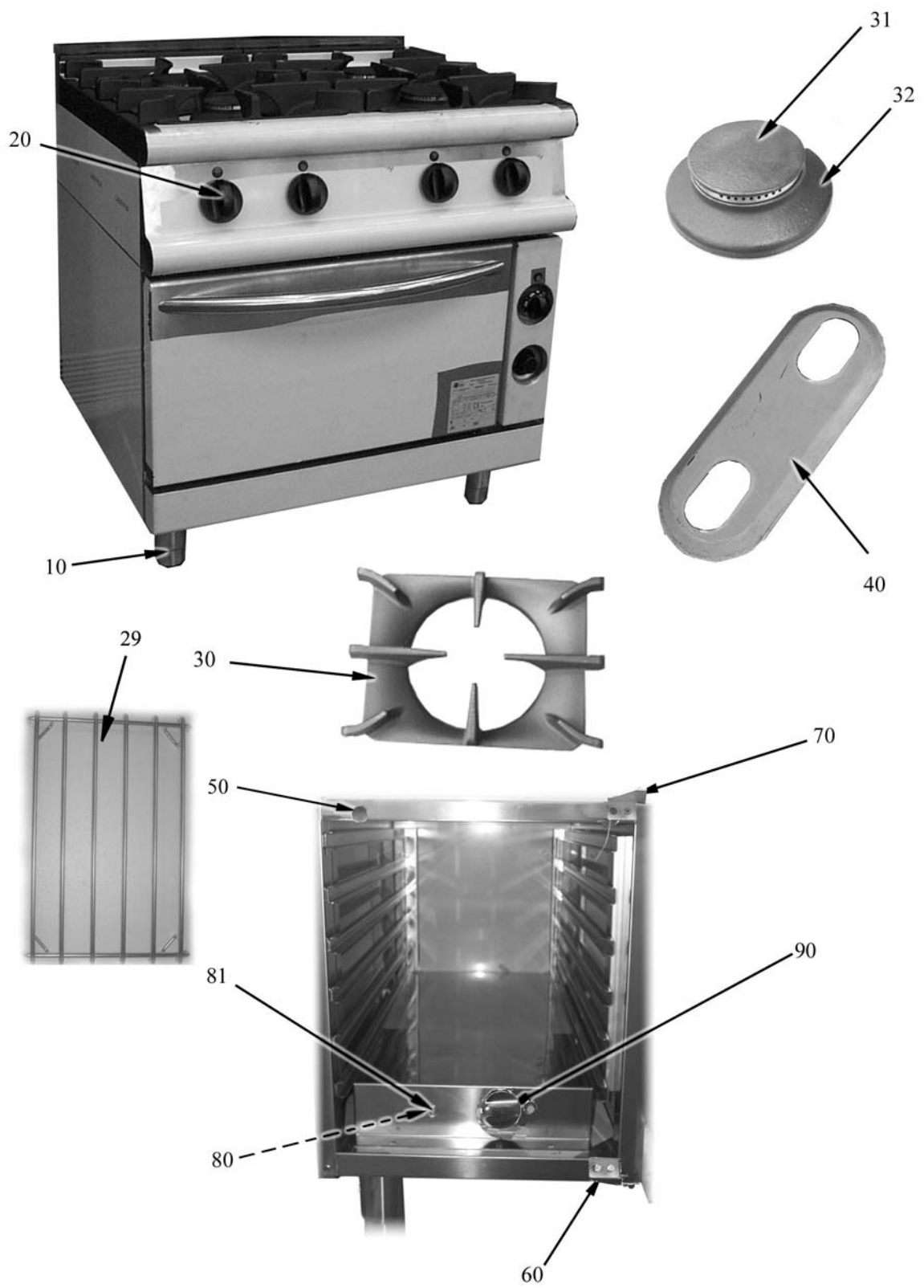
Spannung	Spannungscodes
A	3/N/PE~400/230V 50Hz
B	~250V 16A 50Hz
C	3/N/PE~380/220V 50Hz
D	3/PE~200V 50-60Hz
F	2/PE 220-240V 50Hz
G	3/N/PE~415/240V 50Hz
H	3/PE~230V 50Hz
I	3/PE~220V 60Hz
J	3/PE~380 50Hz
K	3/PE~400V 50Hz
L	3/PE~415V 50Hz
M	3/PE~440V 60Hz
N	3/PE~460V 60Hz
O	3/PE~480V 60Hz
P	1/N/PE~220-240V 50Hz
R	2/PE~220-230V 60Hz
S	3/N/PE~400/230V 50Hz
T	3/PE~230V 60Hz
U	1/N/PE~100V 50-60Hz

9.2 Produktcodes

Produktcode	Ernennung
Typecodes	
400G	7PC/G400
800G	7PC/G800
120G	7PC/G120
160G	7PC/G160
400VG	7PCV/G400
800VG	7PCV/G800
120VG	7PCV/G120
160VG	7PCV/G160
800FG	7PCF/G800
120FG	7PCF/G120
160FG	7PCF/G160
800FGE	7PCF/GE800
120FGE	7PCF/GE120
160FGE	7PCF/GE160
411G	7PC/G411
811G	7PC/G811
121G	7PC/G121
161G	7PC/G161

Ersatzteile

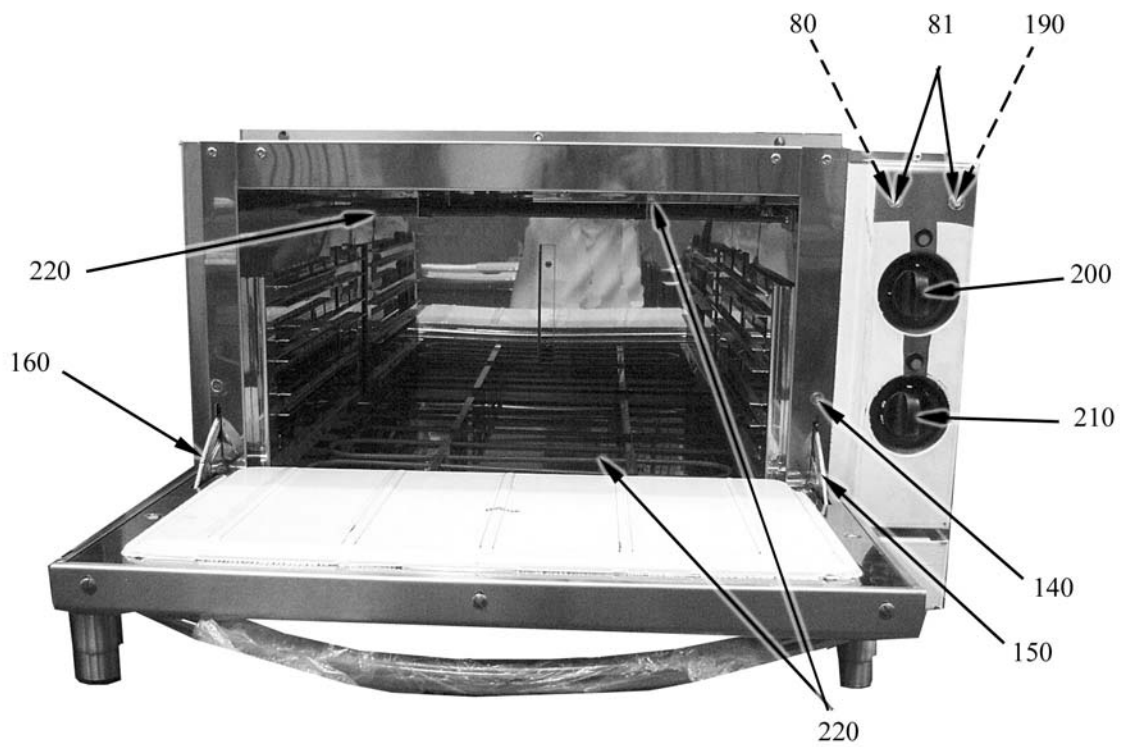
Produktcode	Ernennung
411VG	7PCV/G411
811VG	7PCV/G811
121VG	7PCV/G121
161VG	7PCV/G161
811FG	7PCF/G811
121FG	7PCF/G121
161FG	7PCF/G161
811FGE	7PCF/GE811
121FGE	7PCF/GE121
161FGE	7PCF/GE161



ID	Typ	Description	P-code
Module: Assenteile brenner und Warmeschrank			
10		Fuss	826490142
20		Swarzer Knebel Gasherd	824710100
29		CNS-Rost	826630180
30		Griglia smaltata	41822410390
31		Brenner (Deckel "C")	822410071
31		Brenner (Deckel "D")	822410081
32		Brenner (Kopf "C")	822410041
32		Brenner (Kopf "D")	822410051
40		Kochmulde	41821530120
50	120FG,120FGE,121FG,121FGE	Magnete	826900011
60	120FG,120FGE,121FG,121FGE	Unteres Scharnier der tur	2547870
70	120FG,120FGE,121FG,121FGE	Unteres Scharnier der tur	2547860
80	800FGE,120FGE,160FGE,811FGE,121FGE	Lampe	826650050
81	800FGE,120FGE,160FGE,811FGE,121FGE	Weisses glas	6A039207
90	7KR	Fuss	

400G=7PC/G400,800G=7PC/G800, 120G=7PC/G120, 160G=7PC/G160, 400VG=7PCV/G400, 800VG=7PCV/G800, 120VG=7PCV/G120,160VG=7PCV/G160,800FG=7PCF/G800,120FG=7PCF/G120,160FG=7PCF/G160,800FGE=7PCF/GE800,120FGE=7PCF/GE120,160FGE=7PCF/GE160,411G=7PC/G411,811G=7PC/G811,121G=7PC/G121,161G=7PC/G161,411VG=7PCV/G411,811VG=7PCV/G811,121VG=7PCV/G121,161VG=7PCV/G161,811FG=7PCF/G811,121FG=7PCF/G121, 161FG=7PCF/G161, 811FGE=7PCF/GE811, 121FGE=7PCF/GE121, 161FGE=7PCF/GE161

A=3/N/PE~400/230V 50Hz, H=3/PE~230V 50Hz, P=1/N/PE~220-240V 50Hz

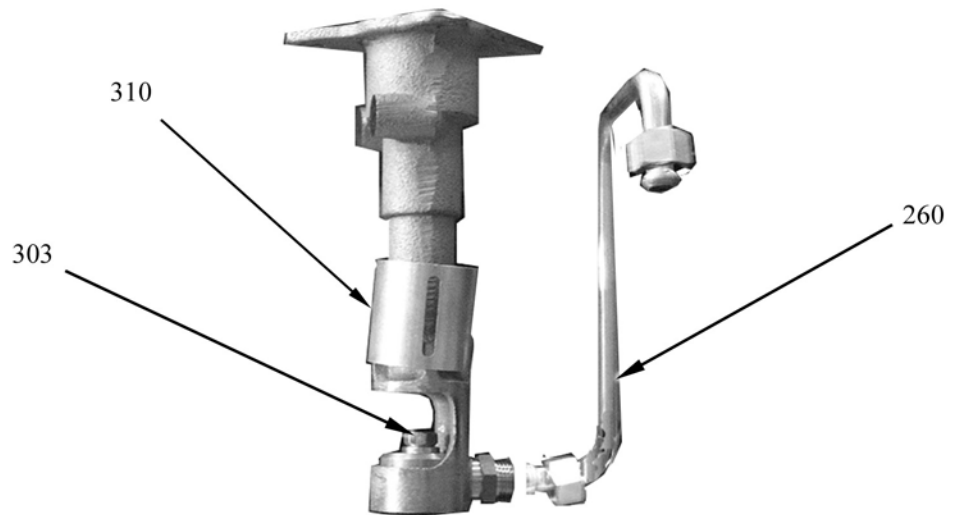
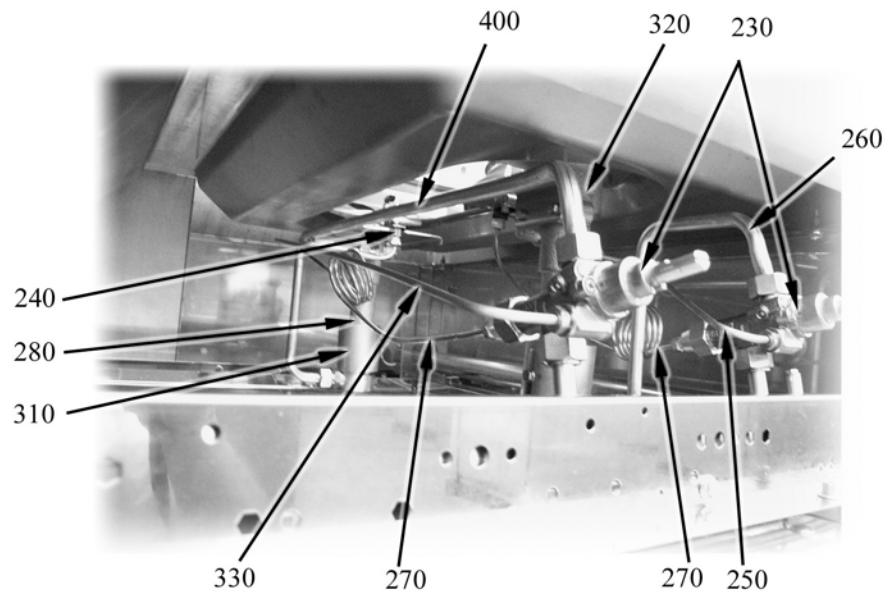


Ersatzteile

ID	Typ	Description	P-code
Module:Aussenteile gas und elektrobackofen			
80	800FGE,120FGE,160FGE,811FGE,121FGE	Lampe	826650050
81	800FGE,120FGE,160FGE,811FGE,121FGE	Weisses Glas	6A039207
100	800FG,120FG,160FG,811FG,121FG,161FG	Schwarzer Knebel für Ofen und Gas Fry-Top	824710110
110	800FG,120FG,160FG,811FG,121FG,161FG	Piezozuendung	41826630020
120	800FG,120FG,160FG,811FG,121FG,161FG	Scheibe	822160540
130	800FG,120FG,160FG,811FG,121FG,161FG	Kappe	826630420
140	800FG,120FG,160FG,800FGE,120FGE,160FGE,811FG,121FG,161FG,811FGE,121FGE,161FGE	Gehaeuse fuer Scharnierfuehurgren	6A035930
150	800FG,120FG,160FG,800FGE,120FGE,160FGE,811FG,121FG,161FG,811FGE,121FGE,161FGE	Scharnier re	6A035910
160	800FG,120FG,160FG,800FGE,120FGE,160FGE,811FG,121FG,161FG,811FGE,121FGE,161FGE	Scharnier li	6A035920
170	800FG,120FG,160FG,800FGE,120FGE,160FGE,811FG,121FG,161FG,811FGE,121FGE,161FGE	Backofenboden	41821410191
180	800FG,120FG,160FG,800FGE,120FGE,160FGE,811FG,121FG,161FG,811FGE,121FGE,161FGE	Backofenfrost	41826330030
190	800FGE,120FGE,160FGE,811FGE,121FGE,161FGE	Grueenes Gas	6A038506
200	800FGE,120FGE,160FGE,811FGE,121FGE,161FGE	Schwarzer Umschalter Elektroofen	824710710
210	800FGE,120FGE,160FGE,811FGE,121FGE,161FGE	Schwarzer Knebel Elektroofen	824710270
220	800FGE,120FGE,160FGE,811FGE,121FGE,161FGE	Winderstand 1500 W	826620041

400G=7PC/G400,800G=7PC/G800, 120G=7PC/G120, 160G=7PC/G160, 400VG=7PCV/G400, 800VG=7PCV/G800, 120VG=7PCV/G120,160VG=7PCV/G160,800FG=7PCF/G800,120FG=7PCF/G120,160FG=7PCF/G160,800FGE=7PCF/GE800,120FGE=7PCF/GE120,160FGE=7PCF/GE160,411G=7PC/G411,811G=7PC/G811,121G=7PC/G121,161G=7PC/G161,411VG=7PCV/G411,811VG=7PCV/G811,121VG=7PCV/G121,161VG=7PCV/G161,811FG=7PCF/G811,121FG=7PCF/G121,161FG=7PCF/G161, 811FGE=7PCF/GE811, 121FGE=7PCF/GE121, 161FGE=7PCF/GE161

A=3/N/PE~400/230V 50Hz, H=3/PE~230V 50Hz, P=1/N/PE~220-240V 50Hz

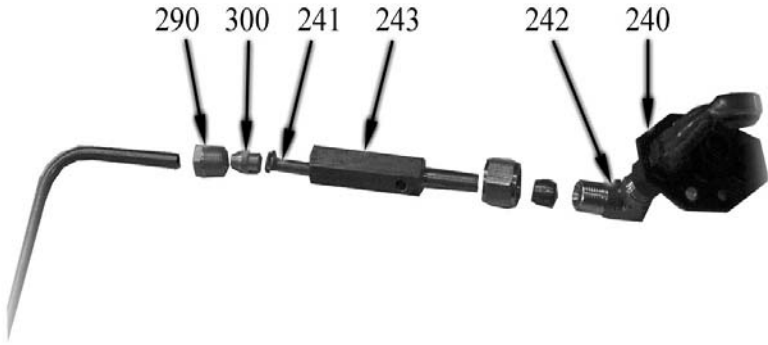


Ersatzteile

ID	Typ	Description	P-code
Module: Bruciatori e condutture fuochi aperti			
230		Hahn	6A011490
240		Zuendflammenbrenner	41826920140
250		Leitung	41823561391
260		Leitung	41823561370
270		Thermoelement	826920080
280		Brenner(Kopf" C")	822410012
303		Duese L 80	822140270
303		Duese L 105	822140150
303		Duese L 95	822140140
303		Duese L 120	822140160
303		Duese 145	822140040
303		Duese 180	822140210
303		Duese 155	822140190
303		Duese 200	822140220
303		Duese 135	
303		Duese 115	
303		Duese 225	
310		Lueftregulierhuesle	822120020
320		Mittlerer Venturirohr	822410022
330		Leitung	41823561381
400		Leitung	41823561360

400G=7PC/G400,800G=7PC/G800, 120G=7PC/G120, 160G=7PC/G160, 400VG=7PCV/G400, 800VG=7PCV/G800, 120VG=7PCV/G120,160VG=7PCV/G160,800FG=7PCF/G800,120FG=7PCF/G120,160FG=7PCF/G160,800FGE=7PCF/GE800,120FGE=7PCF/GE120,160FGE=7PCF/GE160,411G=7PC/G411,811G=7PC/G811,121G=7PC/G121,161G=7PC/G161,411VG=7PCV/G411,811VG=7PCV/G811,121VG=7PCV/G121,161VG=7PCV/G161,811FG=7PCF/G811,121FG=7PCF/G121, 161FG=7PCF/G161, 811FGE=7PCF/GE811, 121FGE=7PCF/GE121, 161FGE=7PCF/GE161

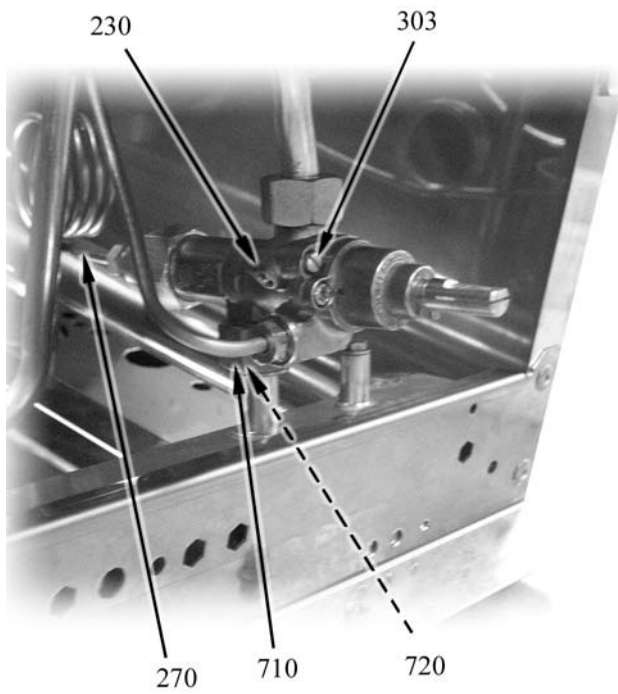
A=3/N/PE~400/230V 50Hz, H=3/PE~230V 50Hz, P=1/N/PE~220-240V 50Hz



ID	Typ	Description	P-code
Module: Brenner und gasleitungen fuer offene brenner			
240		Zuendflammenbrenner	826920140
241		Duese 19	822140380
241		Duese 27	6A013107
242		Verbindungsstueck 90	822450610
243		Schnur Zuendflammenbrenner	822160460
290		Verbindungsstueck	822450040
300		Dightkegel	822450050

400G=7PC/G400,800G=7PC/G800, 120G=7PC/G120, 160G=7PC/G160, 400VG=7PCV/G400, 800VG=7PCV/G800, 120VG=7PCV/G120,160VG=7PCV/G160,800FG=7PCF/G800,120FG=7PCF/G120,160FG=7PCF/G160,800FGE=7PCF/GE800,120FGE=7PCF/GE120,160FGE=7PCF/GE160,411G=7PC/G411,811G=7PC/G811,121G=7PC/G121,161G=7PC/G161,411VG=7PCV/G411,811VG=7PCV/G811,121VG=7PCV/G121,161VG=7PCV/G161,811FG=7PCF/G811,121FG=7PCF/G121,161FG=7PCF/G161, 811FGE=7PCF/GE811, 121FGE=7PCF/GE121, 161FGE=7PCF/GE161

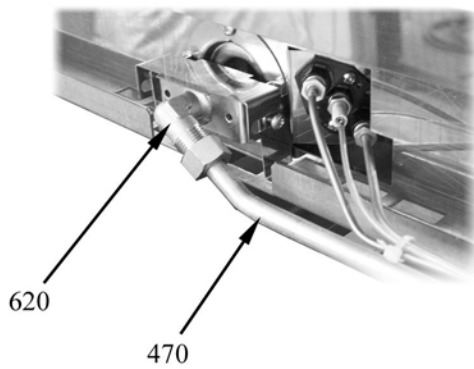
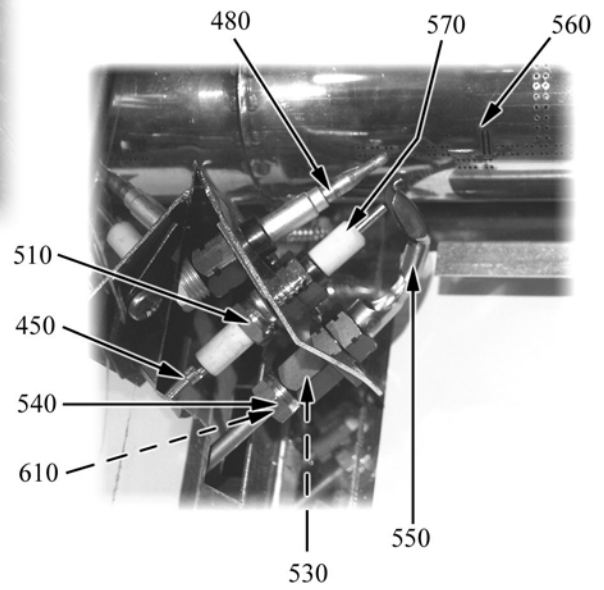
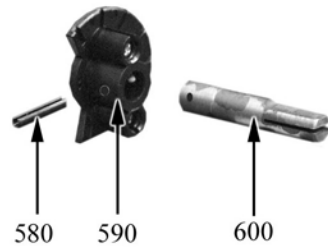
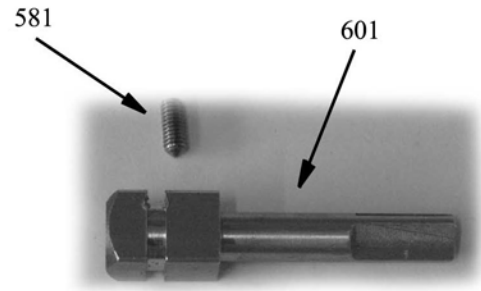
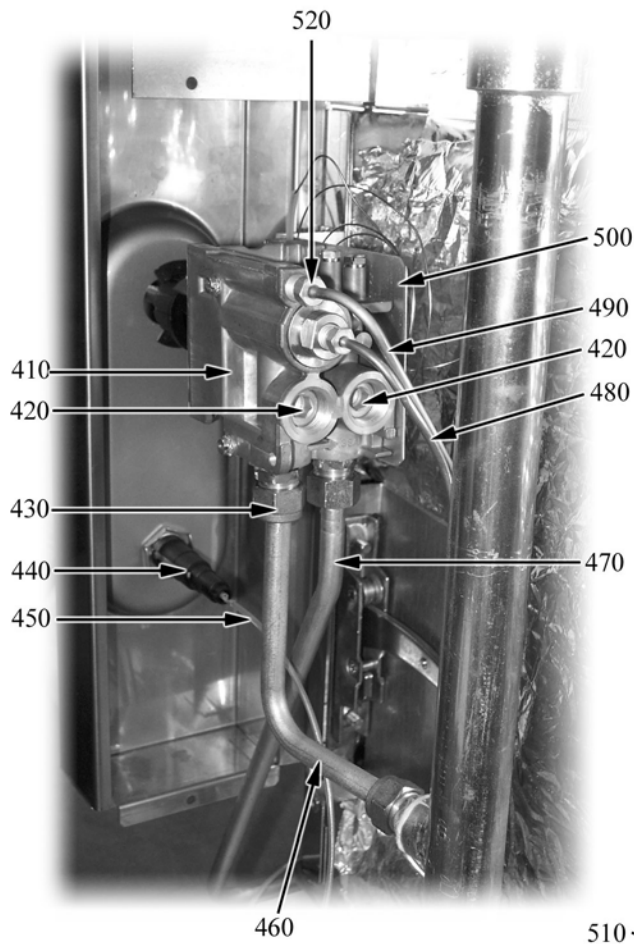
A=3/N/PE~400/230V 50Hz, H=3/PE~230V 50Hz, P=1/N/PE~220-240V 50Hz



ID	Typ	Description	P-code
Module: Hahn			
230		Hahn	6A011490
270		Thermoelement	826920080
303		Kleinstellschraube 80	822450240
303		Kleinstellschraube 120	822450280
303		Kleinstellschraube 50	822450210
303		Kleinstellschraube 75	822450230
303		Kleinstellschraube 90	822450260
303		Kleinstellschraube 130	822450290
303		Kleinstellschraube 45	6A023722
303		Kleinstellschraube 65	6A023723
710		Mutter	6A011485
720		Bicono	6A011480

400G=7PC/G400,800G=7PC/G800, 120G=7PC/G120, 160G=7PC/G160, 400VG=7PCV/G400, 800VG=7PCV/G800, 120VG=7PCV/G120,160VG=7PCV/G160,800FG=7PCF/G800,120FG=7PCF/G120,160FG=7PCF/G160,800FGE=7PCF/GE800,120FGE=7PCF/GE120,160FGE=7PCF/GE160,411G=7PC/G411,811G=7PC/G811,121G=7PC/G121,161G=7PC/G161,411VG=7PCV/G411,811VG=7PCV/G811,121VG=7PCV/G121,161VG=7PCV/G161,811FG=7PCF/G811,121FG=7PCF/G121,161FG=7PCF/G161, 811FGE=7PCF/GE811, 121FGE=7PCF/GE121, 161FGE=7PCF/GE161

A=3/N/PE~400/230V 50Hz, H=3/PE~230V 50Hz, P=1/N/PE~220-240V 50Hz

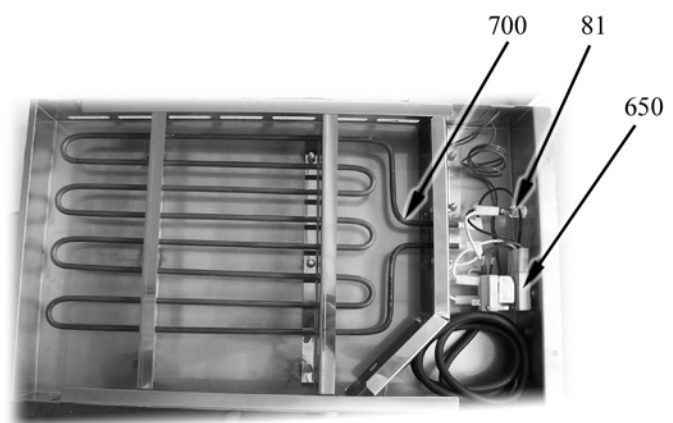
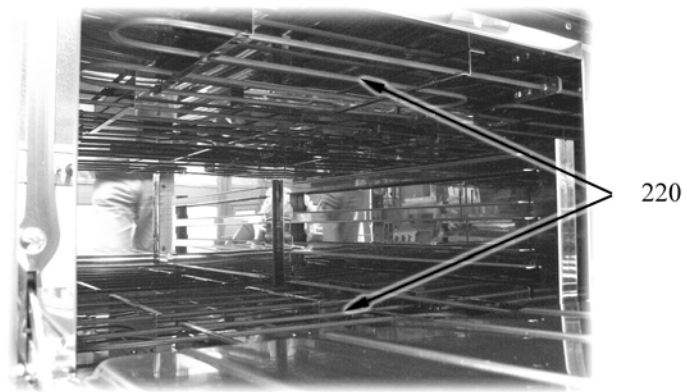
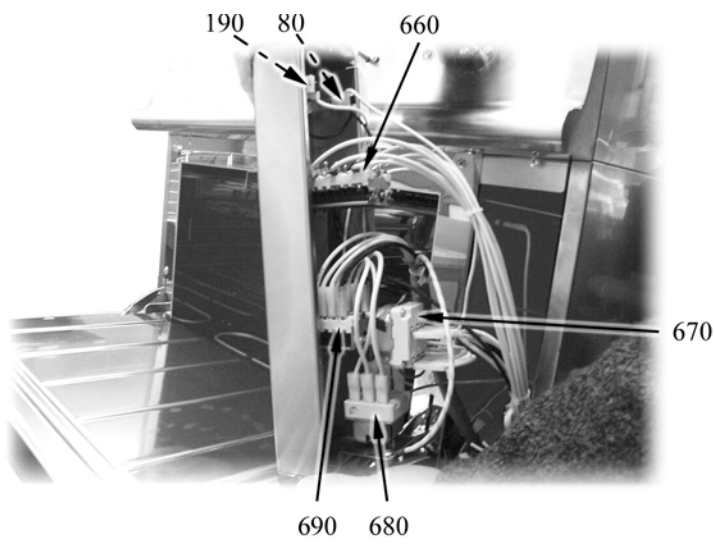


Ersatzteile

ID	Typ	Description	P-code
Module: Gasbackofenbestandteile			
410	800FG,120FG,160FG,811FG,121FG,161FG	Ventil	826920012
420	800FG,120FG,160FG,811FG,121FG,161FG	Stopfen	8219951
430	800FG,120FG,160FG,811FG,121FG,161FG	Verbindungsstueck	822450170
440	800FG,120FG,160FG,811FG,121FG,161FG	Piezozuendong	41826630020
450	800FG,120FG,160FG,811FG,121FG,161FG	Kabel	2510698
460	800FG,120FG,160FG,811FG,121FG,161FG	Leitung	2514615
470	800FG,120FG,160FG,811FG,121FG,161FG	Leitung	823560060
480	800FG,120FG,160FG,811FG,121FG,161FG	Thermoelement	826920080
490	800FG,120FG,160FG,811FG,121FG,161FG	Leitung	823560070
500	800FG,120FG,160FG,811FG,121FG,161FG	Winkel	41821120040
510	800FG,120FG,160FG,811FG,121FG,161FG	Verbindungsstueck	6A011707
520	800FG,120FG,160FG,811FG,121FG,161FG	Doppelkegelverbindungsstueck	6A011608
530	800FG,120FG,160FG,811FG,121FG,161FG	Duese 19	822140380
530	800FG,120FG,160FG,811FG,121FG,161FG	Duese 27	6A013107
540	800FG,120FG,160FG,811FG,121FG,161FG	Verbindungsstueck	822450040
550	800FG,120FG,160FG,811FG,121FG,161FG	Zuendflammenbrenner	826920070
560	800FG,120FG,160FG,811FG,121FG,161FG	Brenner	2510697
570	800FG,120FG,160FG,811FG,121FG,161FG	Kerze	6A013301
580	800FG,120FG,160FG,811FG,121FG,161FG	elastischer Steker	418227993140
581	800FG,120FG,160FG,811FG,121FG,161FG	Dubel	6A009190
590	800FG,120FG,160FG,811FG,121FG,161FG	Flansch	41822160011
600	800FG,120FG,160FG,811FG,121FG,161FG	Knebelanschluss	2518650
601	800FG,120FG,160FG,811FG,121FG,161FG	Knebelanschluss	2518660
610	800FG,120FG,160FG,811FG,121FG,161FG	Dichtkegel	822450050
620	800FG,120FG,160FG,811FG,121FG,161FG	Anschlussstueck	822450010

400G=7PC/G400,800G=7PC/G800, 120G=7PC/G120, 160G=7PC/G160, 400VG=7PCV/G400, 800VG=7PCV/G800, 120VG=7PCV/G120,160VG=7PCV/G160,800FG=7PCF/G800,120FG=7PCF/G120,160FG=7PCF/G160,800FGE=7PCF/GE800,120FGE=7PCF/GE120,160FGE=7PCF/GE160,411G=7PC/G411,811G=7PC/G811,121G=7PC/G121,161G=7PC/G161,411VG=7PCV/G411,811VG=7PCV/G811,121VG=7PCV/G121,161VG=7PCV/G161,811FG=7PCF/G811,121FG=7PCF/G121,161FG=7PCF/G161, 811FGE=7PCF/GE811, 121FGE=7PCF/GE121, 161FGE=7PCF/GE161

A=3/N/PE~400/230V 50Hz, H=3/PE~230V 50Hz, P=1/N/PE~220-240V 50Hz

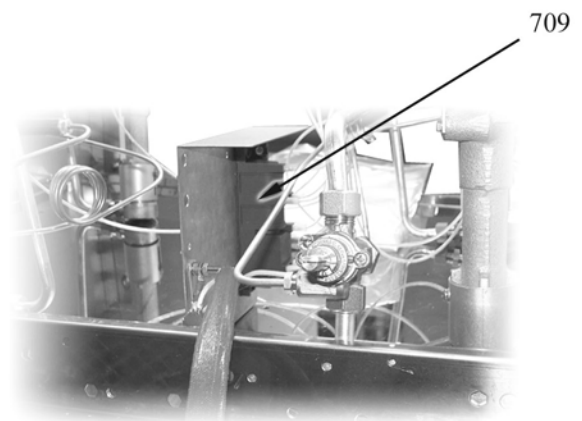
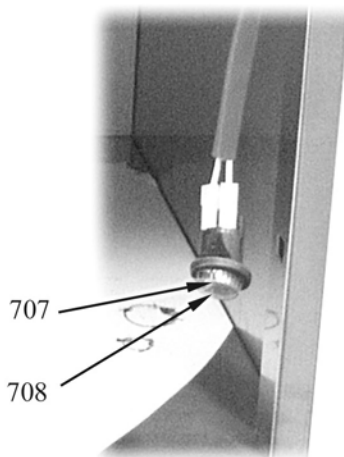
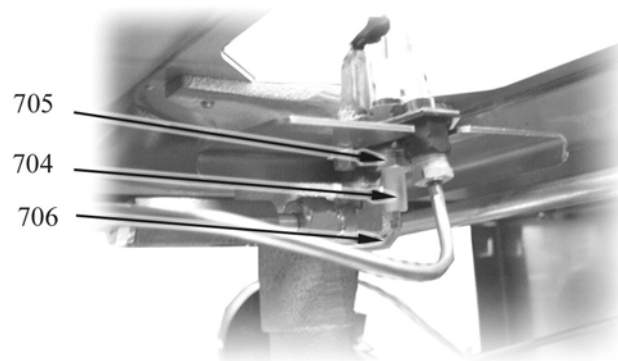


Ersatzteile

ID	Typ	Description	P-code
Module: Bestandteile vom elektbackofen und waermeschrank			
80	800FGE,120FGE,160FGE,81 1FGE,121FGE,161FGE	Gruenes Glas	826650050
81	800FGE,120FGE,160FGE,81 1FGE,121FGE,161FGE	Weisses Glas	6A039207
190	800FGE,120FGE,160FGE,81 1FGE,121FGE,161FGE	Oranges Glas	6A038506
220	800FGE,120FGE,160FGE,81 1FGE,121FGE,161FGE	Winderstand 1500 W	826620041
650	7KR	Schalter	826630230
660	800FGE,120FGE,160FGE,81 1FGE,121FGE,161FGE	Hauptschalter	6A046750
670	800FGE,120FGE,160FGE,81 1FGE,121FGE,161FGE	Thermostat	826630123
680	800FGE,120FGE,160FGE,81 1FGE,121FGE,161FGE	Sicherheitsthermostat	826630130
690	800FGE,120FGE,160FGE,81 1FGE,121FGE,161FGE	Hauptschalter	6A046001
700	7KR	Winderstand 700 W	826620031

400G=7PC/G400,800G=7PC/G800, 120G=7PC/G120, 160G=7PC/G160, 400VG=7PCV/G400, 800VG=7PCV/G800,
120VG=7PCV/G120,160VG=7PCV/G160,800FG=7PCF/G800,120FG=7PCF/G120,160FG=7PCF/G160,800FGE=7PCF/
GE800,120FGE=7PCF/GE120,160FGE=7PCF/GE160,411G=7PC/G411,811G=7PC/G811,121G=7PC/G121,161G=7PC/
G161,411VG=7PCV/G411,811VG=7PCV/G811,121VG=7PCV/G121,161VG=7PCV/G161,811FG=7PCF/G81
121FG=7PCF/G121, 161FG=7PCF/G161, 811FGE=7PCF/GE811, 121FGE=7PCF/GE121, 161FGE=7PCF/GE161

A=3/N/PE~400/230V 50Hz, H=3/PE~230V 50Hz, P=1/N/PE~220-240V 50Hz



Ersatzteile

ID	Typ	Description	P-code
Module:Elektrozundung			
702	411G,411VG,811G,811VG,811FG,811FGE,121G,121VG,121FG,121FGE,161G,161VG,161FG,161FGE	Ablaufstumpf	822160101
703	411G,411VG,811G,811VG,811FG,811FGE,121G,121VG,121FG,121FGE,161G,161VG,161FG,161FGE	Dichtung	824710280
704	411G,411VG,811G,811VG,811FG,811FGE,121G,121VG,121FG,121FGE,161G,161VG,161FG,161FGE	Kerze	6A013301
705	411G,411VG,811G,811VG,811FG,811FGE,121G,121VG,121FG,121FGE,161G,161VG,161FG,161FGE	Mutter	6A011707
706	411G,411VG,811G,811VG,811FG,811FGE,121G,121VG,121FG,121FGE,161G,161VG,161FG,161FGE	Kabel L=600	826690052
706	411G,411VG,811G,811VG,811FG,811FGE,121G,121VG,121FG,121FGE,161G,161VG,161FG,161FGE	Kabel L=1100	826690062
706	411G,411VG,811G,811VG,811FG,811FGE,121G,121VG,121FG,121FGE,161G,161VG,161FG,161FGE	Kabel L=1900	826690550
707	411G,411VG,811G,811VG,811FG,811FGE,121G,121VG,121FG,121FGE,161G,161VG,161FG,161FGE	Rote taste	826630050
708	411G,411VG,811G,811VG,811FG,811FGE,121G,121VG,121FG,121FGE,161G,161VG,161FG,161FGE	Kappe	826630060
709	411G,411VG,811G,811VG,811FG,811FGE,121G,121VG,121FG,121FGE,161G,161VG,161FG,161FGE	Trasformateur	826630400

400G=7PC/G400,800G=7PC/G800, 120G=7PC/G120, 160G=7PC/G160, 400VG=7PCV/G400, 800VG=7PCV/G800, 120VG=7PCV/G120,160VG=7PCV/G160,800FG=7PCF/G800,120FG=7PCF/G120,160FG=7PCF/G160,800FGE=7PCF/GE800,120FGE=7PCF/GE120,160FGE=7PCF/GE160,411G=7PC/G411,811G=7PC/G811,121G=7PC/G121,161G=7PC/G161,411VG=7PCV/G411,811VG=7PCV/G811,121VG=7PCV/G121,161VG=7PCV/G161,811FG=7PCF/G811,121FG=7PCF/G121, 161FG=7PCF/G161, 811FGE=7PCF/GE811, 121FGE=7PCF/GE121, 161FGE=7PCF/GE161

A=3/N/PE~400/230V 50Hz, H=3/PE~230V 50Hz, P=1/N/PE~220-240V 50Hz

