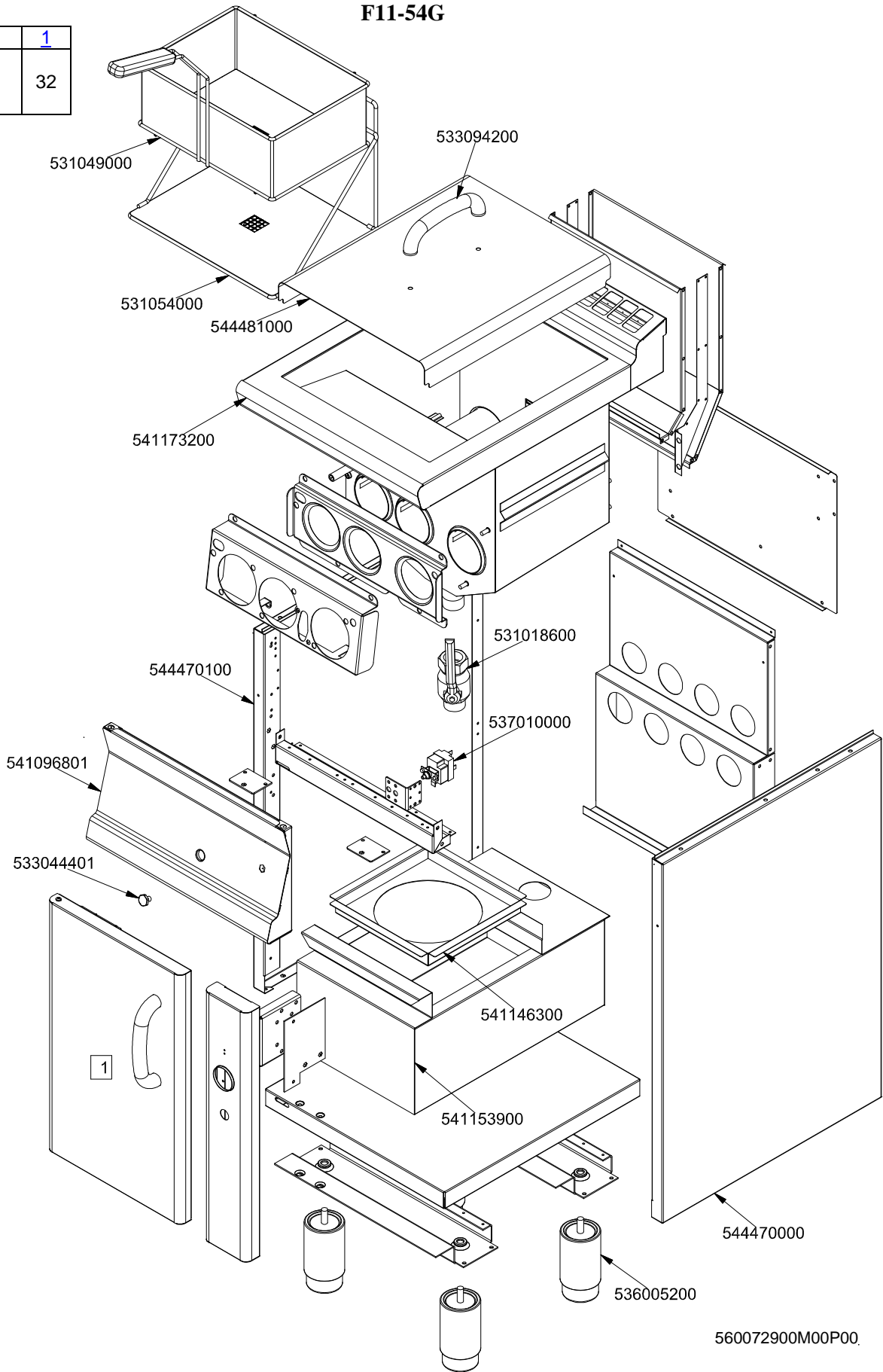


PLUSNACK 55
GAS/GAS/GAS/GAZ

F11-54G

	1
Vedi Pagina See Page Siehe Seite Voir Page Ver Página	32



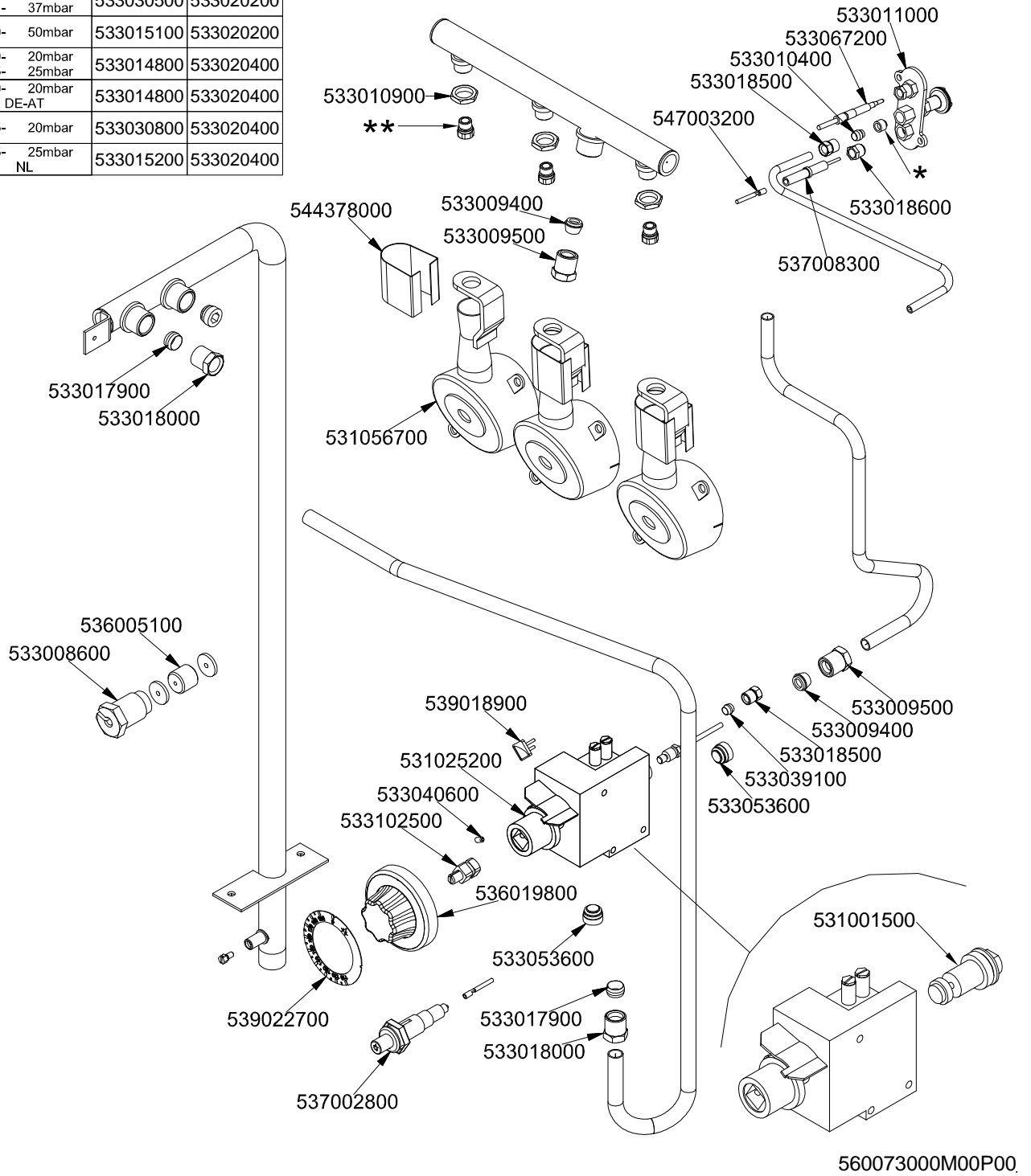
560072900M00P00.

PLUSNACK 55

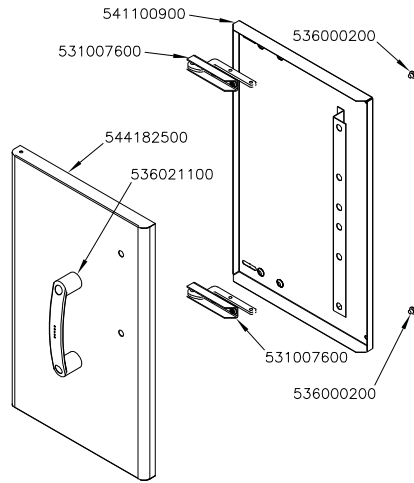
GAS/GAS/GAS/GAZ

F11-54G

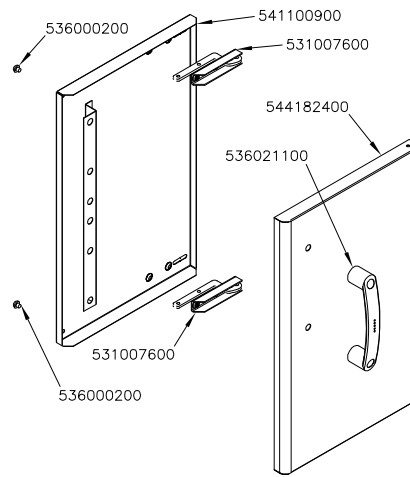
	**	*
G30-28+30mbar G31- 37mbar	533030500	533020200
G30- 50mbar	533015100	533020200
G20- 20mbar G25- 25mbar	533014800	533020400
G20- 20mbar DE-AT	533014800	533020400
G25- 20mbar	533030800	533020400
G25- 25mbar NL	533015200	533020400



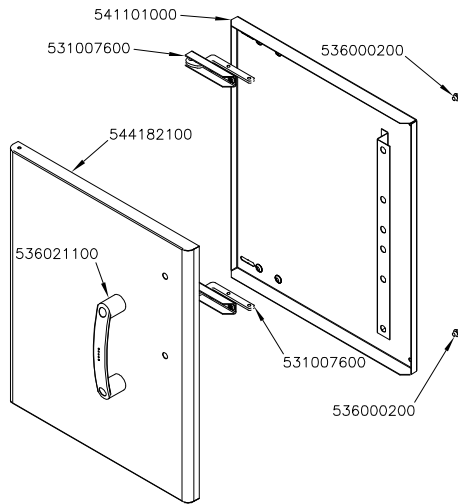
PORTE / DOORS / FLÜGELÜREN / PORTES



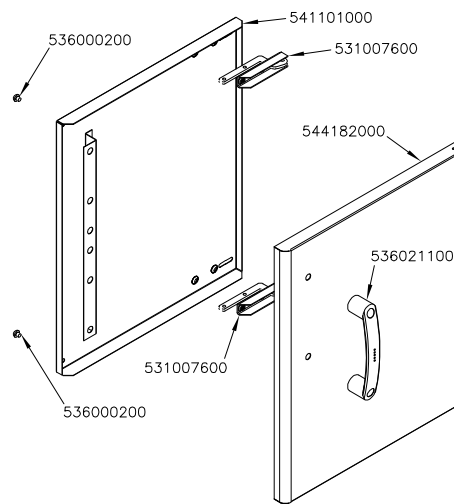
P-73/93 SX



P-73/93 DX

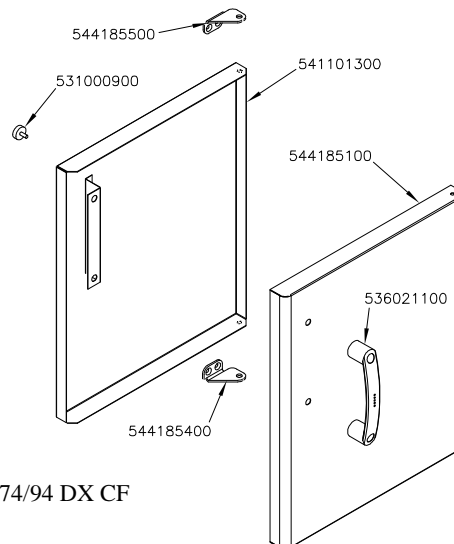


P-74/94 SX



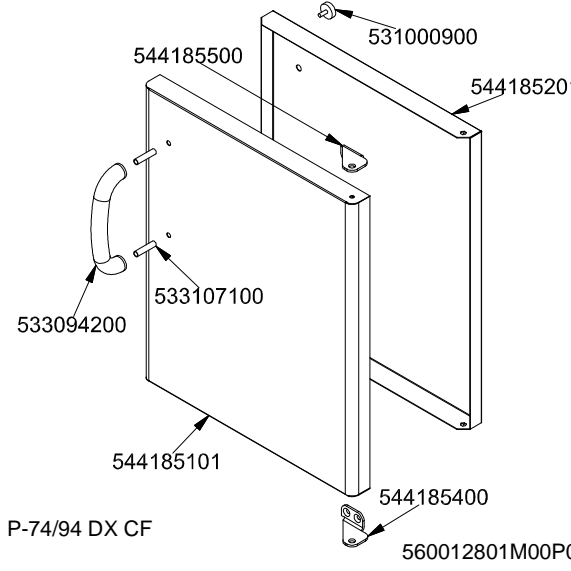
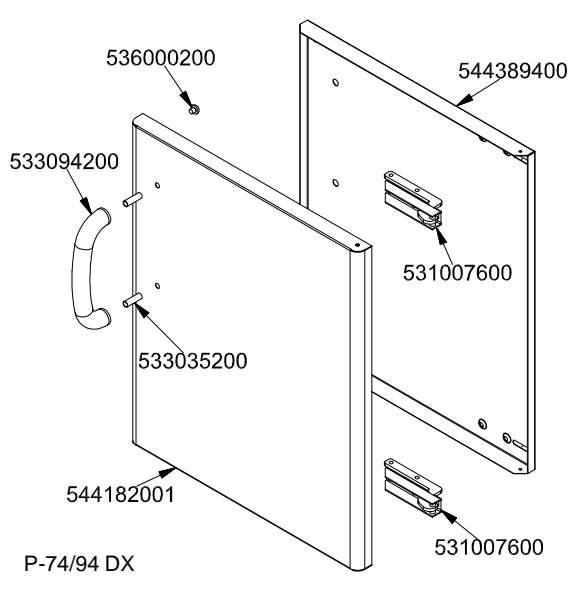
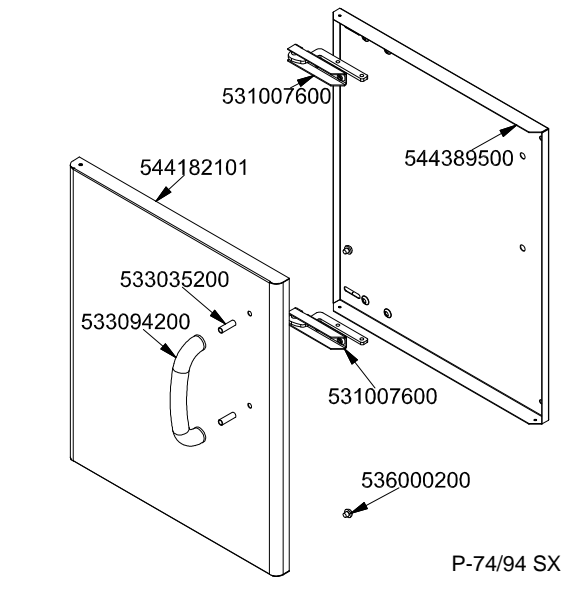
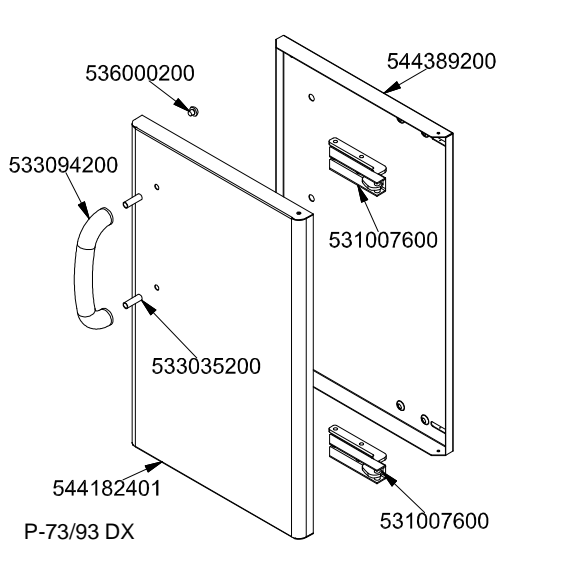
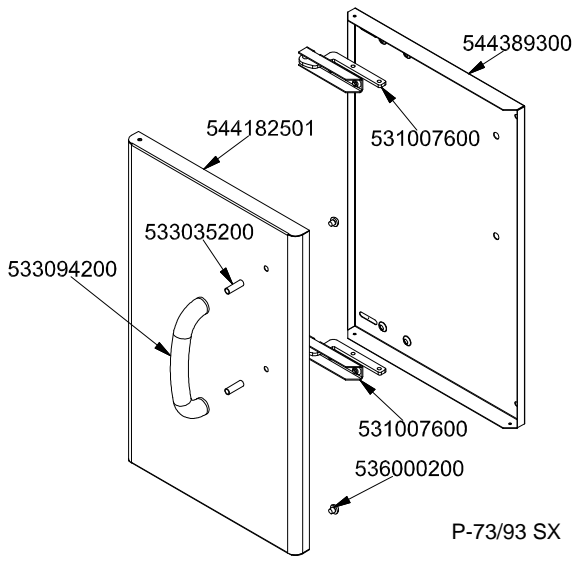
P-74/94 DX

560012800M00P00



P-74/94 DX CF

PORTE / DOORS / FLÜGELÜREN / PORTES



Page	Pos	Code	Description
001		533094200	S/S HANDLE FOR 70/90 SERIES
001		531049000	
001		531054000	
001		544481000	
001		541173200	UPPER PLATE F 11 -54G
001		531018600	BALL VALVE 1"G M-F CPM-62G
001		544470100	LHD SIDE OF 55M
001		541096801	CONTROL PANEL S607090 F13 -74G
001		537010000	SAFETY THERMOSTAT 220°C SINGLEPHASE
001		533044401	M8 THREADED CAP FOR SEC.THERMOSTAT
001		541146300	CONTROL PANEL FE-45 ORANGE *NEW L.*
001		541153900	BASIN FOR DRIP TRAY 18LT S55
001		544470000	RHD SIDE OF 55M
001		536005200	INOX LEG 2" 120-180 M10
002		533011000	PILOT BURNER 3 FLAMES 320
002		533067200	THERMOCOUPLE 220+500 M9*1 CUT-OFF
002		533010400	BICONE D.6
002		533018500	FITTING FOR BICONE D.6 M10*1
002		547003200	HIGH-VOLTAGE CABLE TUBE. §2 L=500
002		533018600	PLUG FITTING
002		537008300	ROUND PLUG §2,4- LONG ELECTRODE
002		533010900	NUT M14*1 H.4
002		533009400	BICONE 10S
002		533009500	NIPPLE FOR BICONE 10S
002		544378000	
002		531056700	BURNER FOR FRYER 60T+55
002		533017900	BICONE D.12
002		533018000	ELBOW FOR BICONE D.12 3/8 RS L20
002		536005100	GRAPHITE §07,4 GASKET
002		533008600	STUFFING BOX M9*1
002		539018900	INDEX FOR KNOB
002		531025200	EUROSIT VALVE FQ 110-190°C
002		533040600	HEADLESS SCREW M4*8
002		533102500	
002		536019800	BLACK KNOB §70 PIN §8*6,5
002		533053600	EUROSIT VALVE PLUG
002		539022700	ADHESIVE GRADUATED DISC FOR KNOB
002		537002800	PIEZOELECTRIC IGNITION M18
002		533039100	BICONE §6
002		531001500	MAGNET FOR EUROSIT VALVE
002		533030500	NOZZLE §90 CH12X14 G30/CE
002		533020200	PILOT JETS 0160 FOR LPG §30
002		533015100	NOZZLE §80 CH12*14 F-FP/CP6
002		533014800	NOZZLE §135 CH12*14,0
002		533020400	NOZZLE 0160 (NATURAL GAS) 51
002		533030800	NOZZLE §155 CH12X14 M-CW
002		533015200	NOZZLE §145 CH12*14 F-FP/CP6
003		541100900	INNER DOOR 73
003		531007600	DOOR HINGE
003		536000200	D.12 H.4 BUMPER
003		544182500	RIGHT DOOR 73

Page	Pos	Code	Description
003		536021100	BLACK HANDLE 70LINE + 2RED POINTS
003		541101000	INNER DOOR 74
003		544185100	RIGHT DOOR 74
003		531000900	MAGNET §22 KG.3 WITH DISK
003		544182400	RIGHT DOOR 73
003		544182100	LEFT DOOR 74
003		544182000	RIGHT DOOR 74
003		544185500	UPPER DOOR HINGE FOR COMPARTME CF70
003		541101300	RIGHT INNER DOOR 74 CF
003		544185400	LOWER DOOR HINGE FOR COMPARTME CF70
004		544389300	
004		531007600	DOOR HINGE
004		544182501	LEFT DOOR 73
004		533035200	
004		533094200	S/S HANDLE FOR 70/90 SERIES
004		536000200	D.12 H.4 BUMPER
004		544389200	
004		544182401	RIGHT DOOR 73
004		544389500	INNER-DOOR OF LHD 74
004		544182101	LEFT DOOR 74
004		544389400	
004		544182001	RIGHT DOOR 74
004		544185500	UPPER DOOR HINGE FOR COMPARTME CF70
004		531000900	MAGNET §22 KG.3 WITH DISK
004		544185201	
004		533107100	
004		544185101	RIGHT DOOR 74 CF
004		544185400	LOWER DOOR HINGE FOR COMPARTME CF70